



US00D984952S

(12) **United States Design Patent** (10) **Patent No.:** **US D984,952 S**
Qiao (45) **Date of Patent:** **** May 2, 2023**

(54) **UNDERWATER THRUSTER**

(71) Applicant: **Wei Qiao**, Shanghai (CN)

(72) Inventor: **Wei Qiao**, Shanghai (CN)

(**) Term: **15 Years**

(21) Appl. No.: **29/862,459**

(22) Filed: **Dec. 9, 2022**

(51) **LOC (14) Cl.** **12-06**

(52) **U.S. Cl.**
USPC **D12/308**

(58) **Field of Classification Search**
USPC D12/3, 214, 300, 305, 308, 309, 316,
D12/317, 324

See application file for complete search history.

(56) **References Cited**

U.S. PATENT DOCUMENTS

D677,211 S *	3/2013	Tavares	D12/308
D713,320 S *	9/2014	Egan	D12/326
D789,867 S *	6/2017	Walpurgis	B63C 11/46
				D12/308
D795,158 S *	8/2017	Gan	D12/308
D815,579 S	4/2018	Frenoy		
D844,534 S	4/2019	Liu		
D866,445 S	11/2019	Wu		
D869,373 S	12/2019	Wei		
D887,947 S	6/2020	Ma		
D892,708 S	8/2020	Chen		
D897,267 S	9/2020	Wei		
D923,548 S *	6/2021	Chen	D12/308
D929,301 S *	8/2021	Lu	D12/308
D937,179 S	11/2021	Guild		

(Continued)

Primary Examiner — Khawaja Anwar

(74) *Attorney, Agent, or Firm* — Runit Ranjit Kanakia

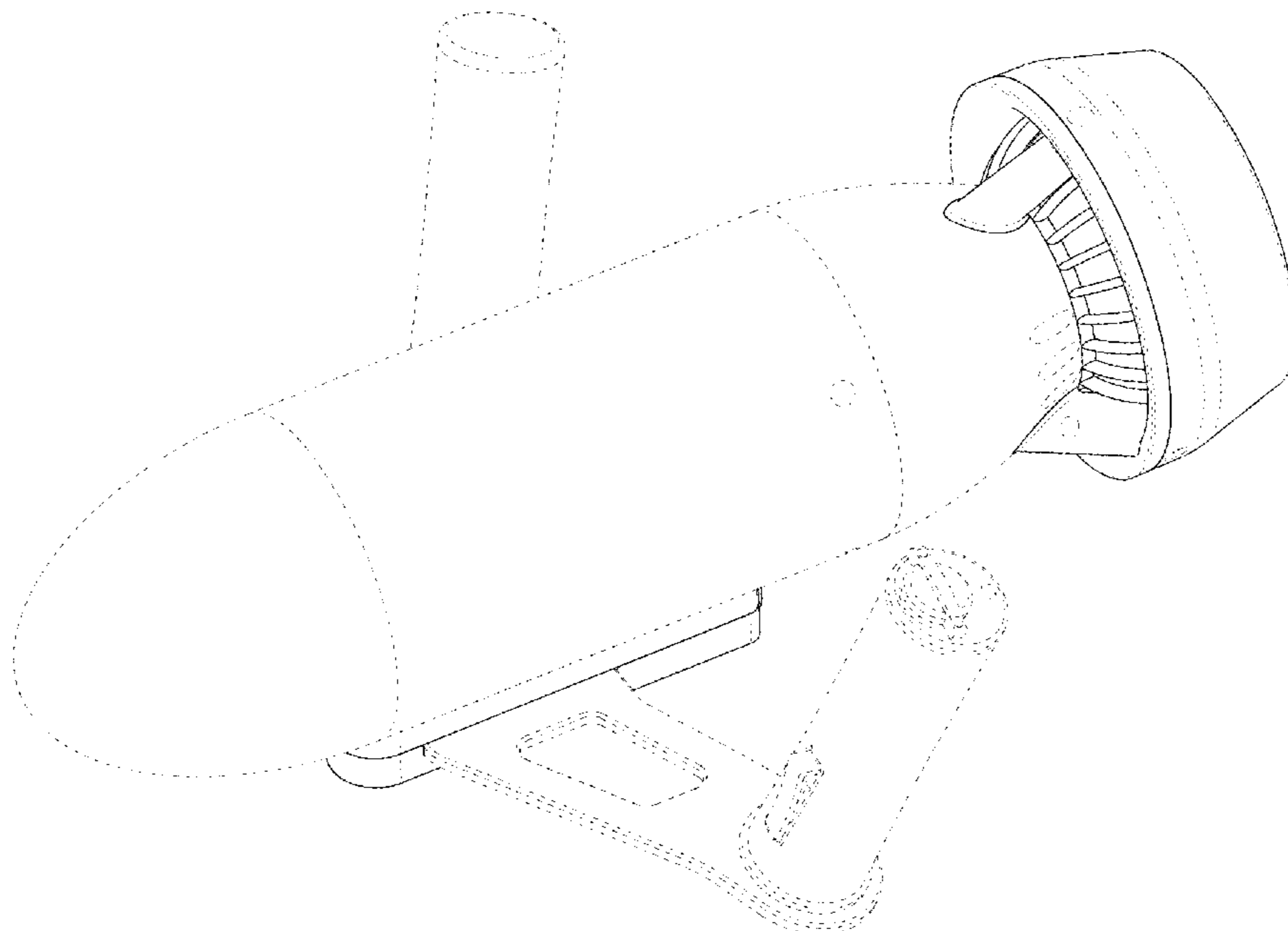
(57) **CLAIM**

The ornamental design for a underwater thruster, as shown and described.

DESCRIPTION

FIG. 1 is a front perspective view of a underwater thruster, showing the first embodiment of my new design;
 FIG. 2 is a rear perspective view thereof;
 FIG. 3 is a front elevational view thereof;
 FIG. 4 is a rear elevational view thereof;
 FIG. 5 is a left side view thereof;
 FIG. 6 is a right side view thereof;
 FIG. 7 is a top plan view thereof;
 FIG. 8 is a bottom plan view thereof;
 FIG. 9 is a front perspective view of the underwater thruster in a detached state;
 FIG. 10 is a rear perspective view of the underwater thruster in a detached state;
 FIG. 11 is a rear perspective view of the underwater thruster in a detached state in another angle thereof;
 FIG. 12 is a front perspective view of a underwater thruster, showing the second embodiment of my new design;
 FIG. 13 is a rear perspective view thereof;
 FIG. 14 is a front elevational view thereof, the rear elevational view being a mirror image of FIG. 14;
 FIG. 15 is a left side view thereof;
 FIG. 16 is a right side view thereof;
 FIG. 17 is a top plan view thereof;
 FIG. 18 is a bottom plan view thereof;
 FIG. 19 is a front perspective view of the underwater thruster in a detached state;
 FIG. 20 is a rear perspective view of the underwater thruster in a detached state; and,
 FIG. 21 is a rear perspective view of the underwater thruster in a detached state in another angle thereof.
 The broken lines in the figures are for the purposes of illustrating portions of the underwater thruster, which form no part of the claimed design.

1 Claim, 20 Drawing Sheets



(56)

References Cited

U.S. PATENT DOCUMENTS

D958,720 S 7/2022 Luk
D978,765 S * 2/2023 Wei D12/308
2015/0353175 A1* 12/2015 Walpurgis B60L 50/64
114/315
2019/0127034 A1* 5/2019 Larson G01S 17/08

* cited by examiner

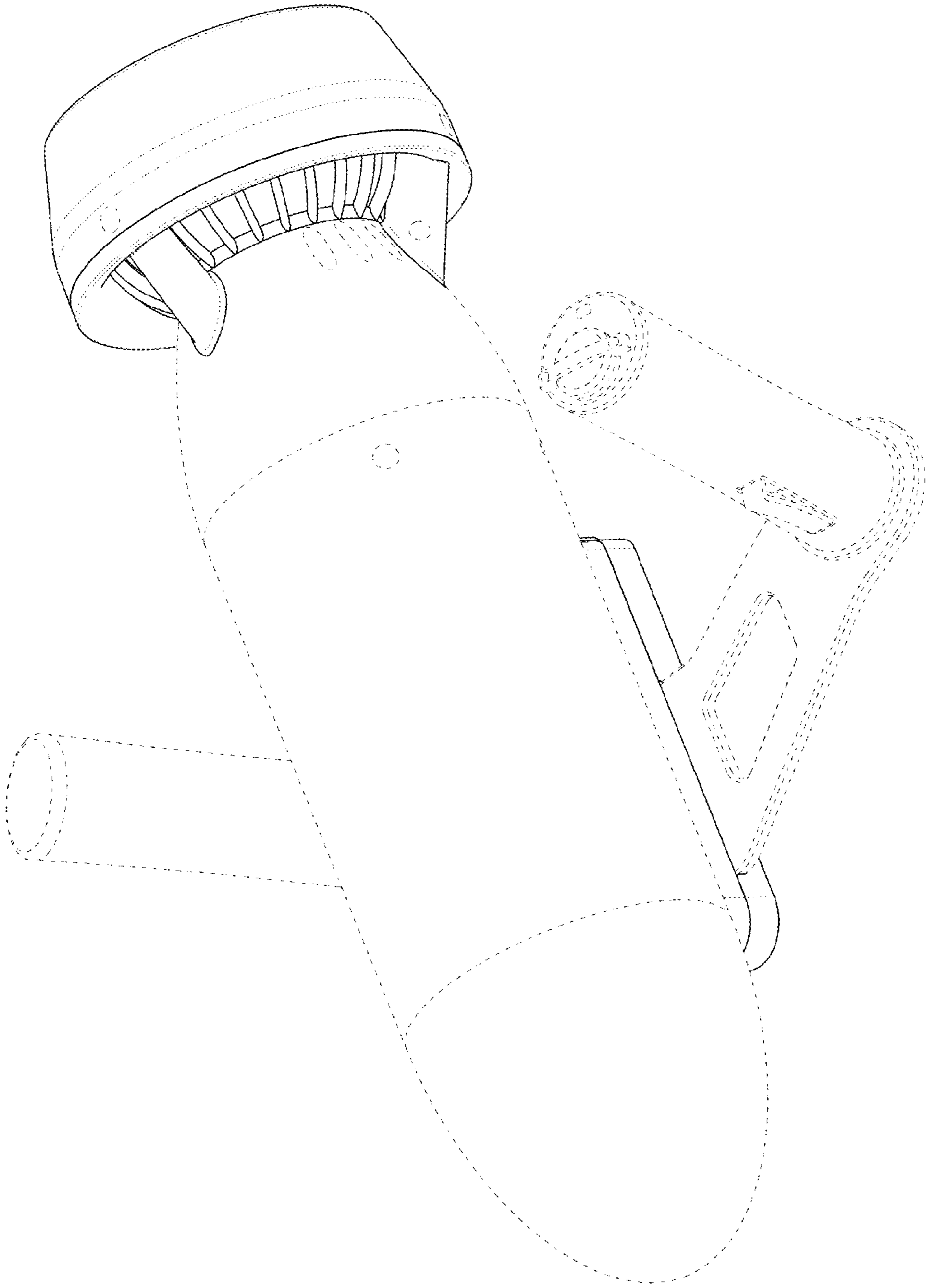


FIG. 1

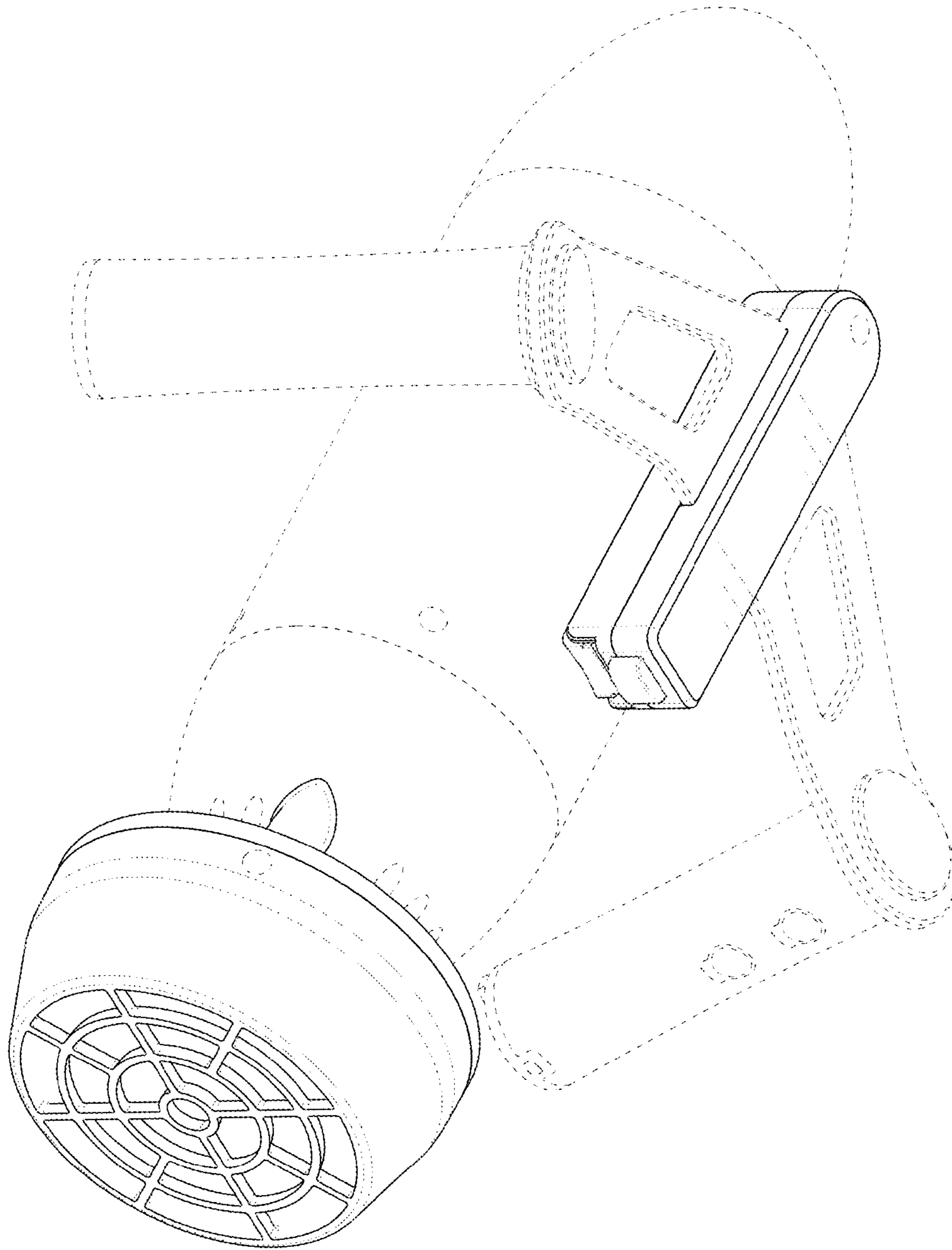


FIG. 2

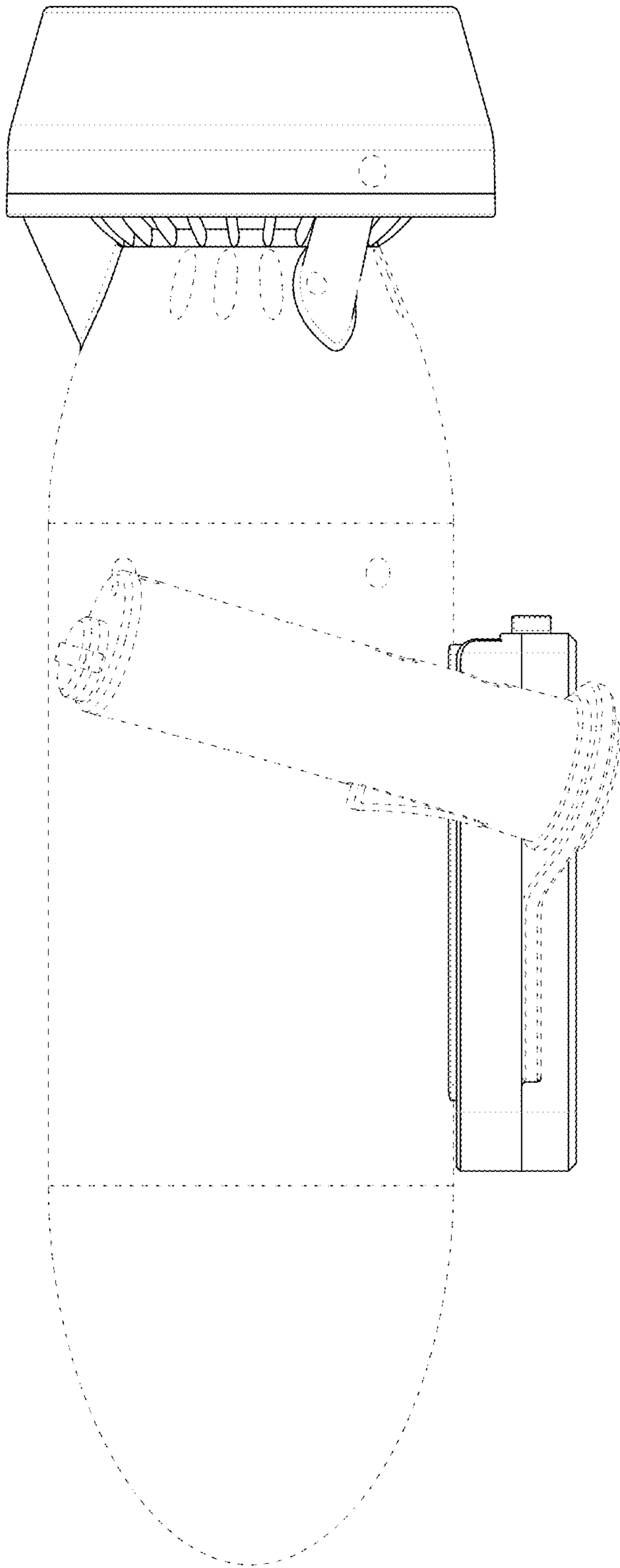


FIG. 3

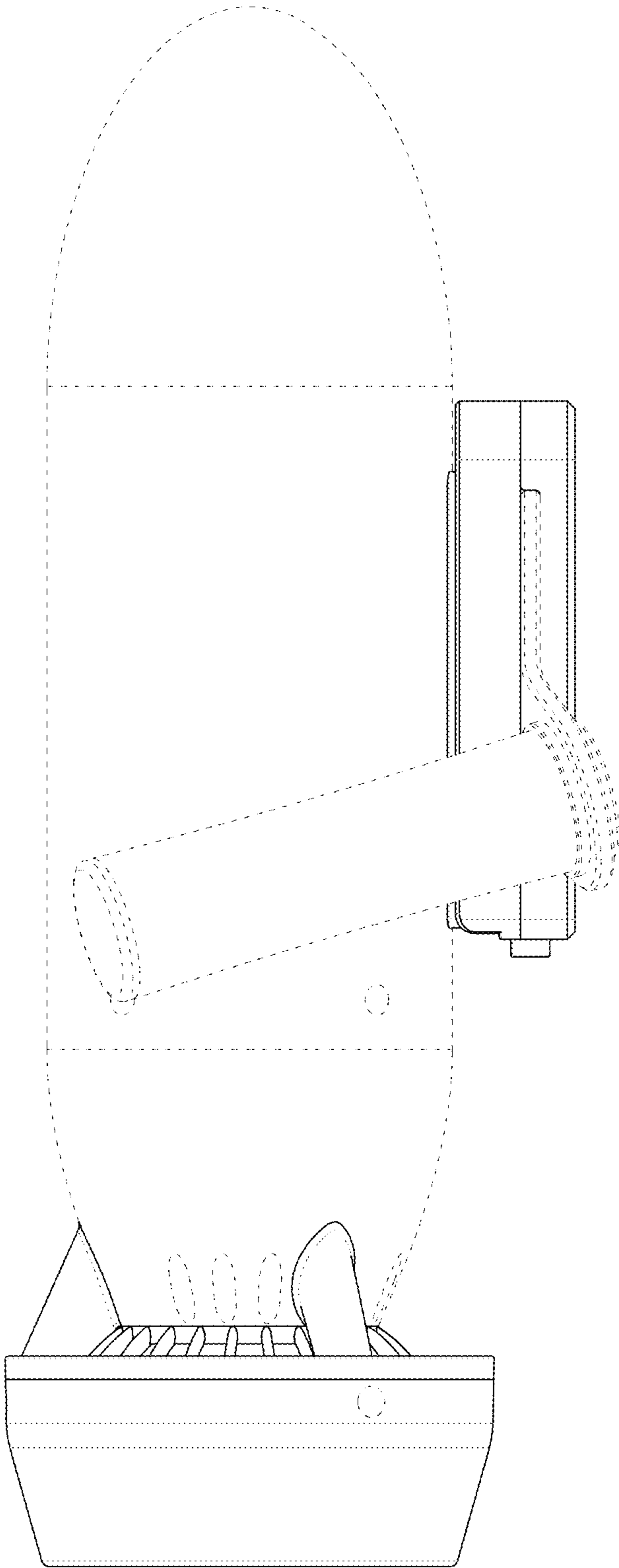


FIG. 4

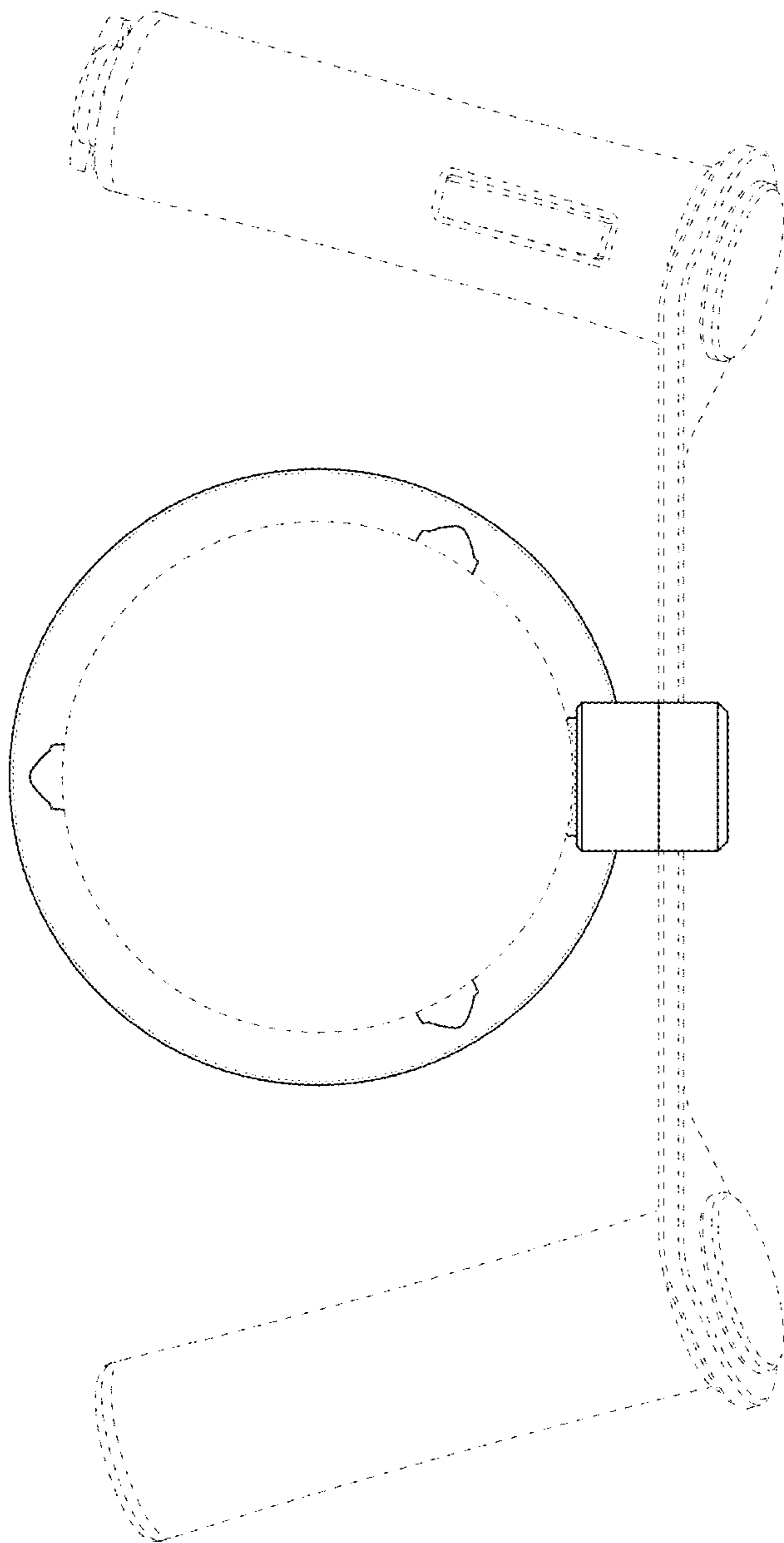


FIG. 5

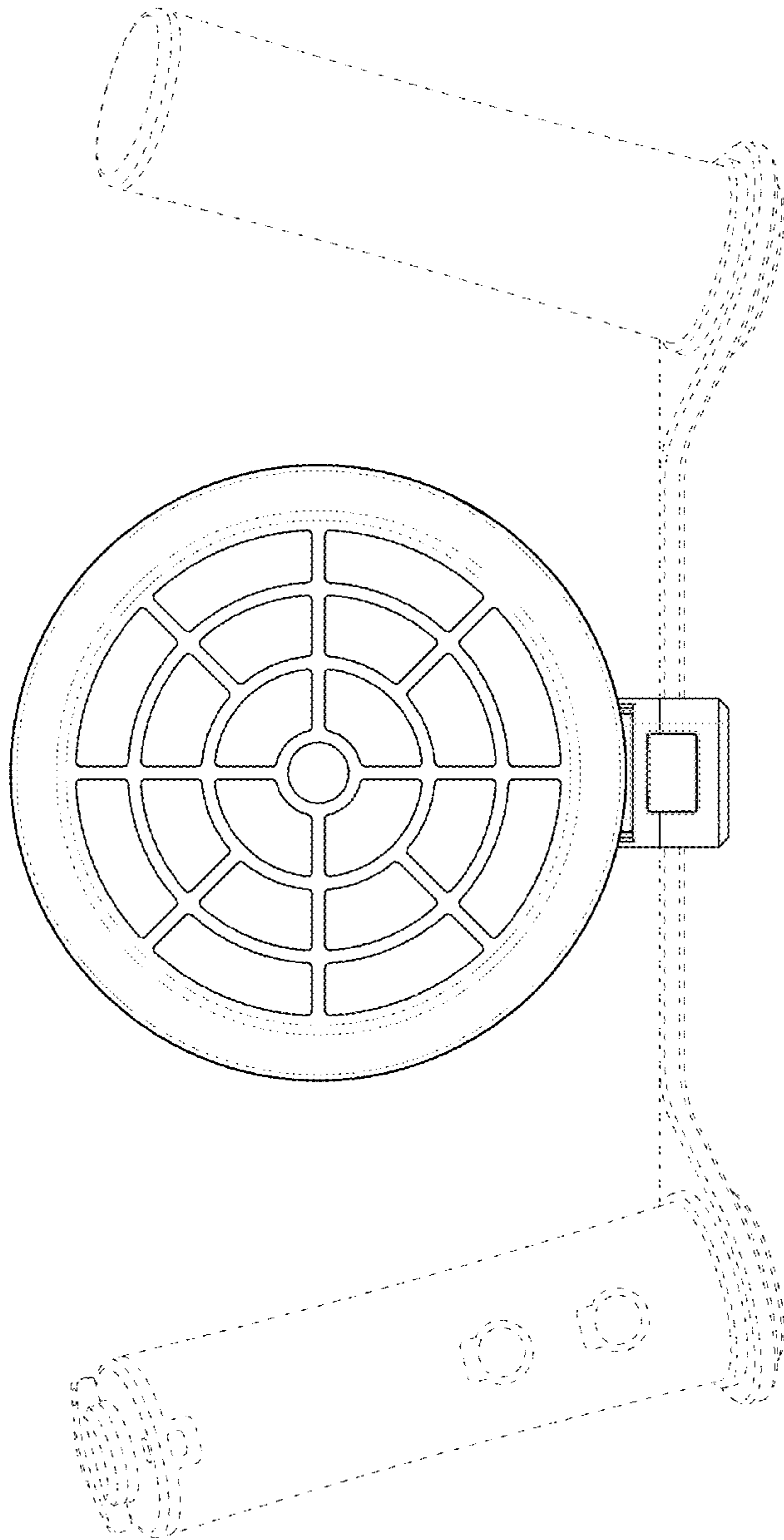


FIG. 6

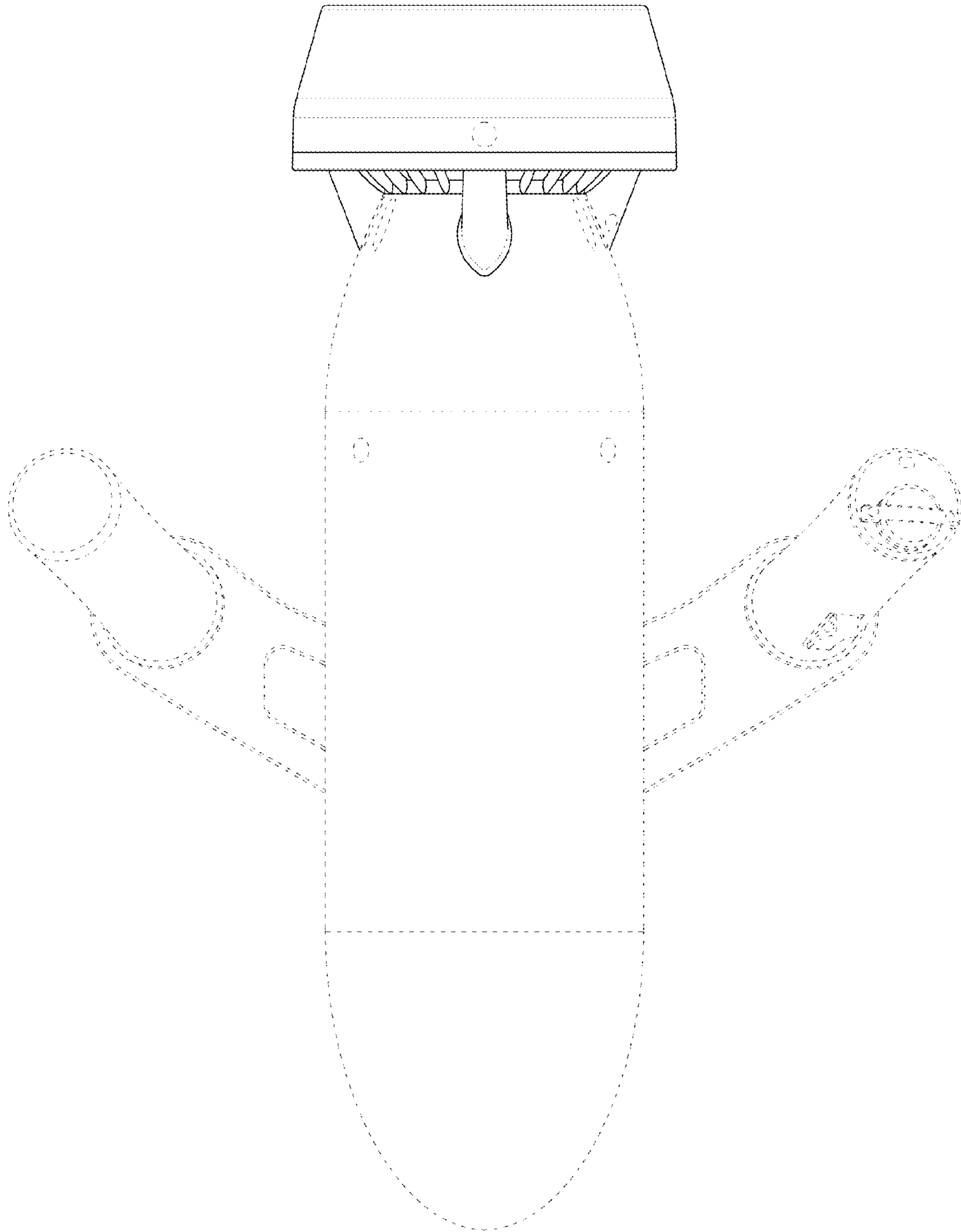


FIG. 7

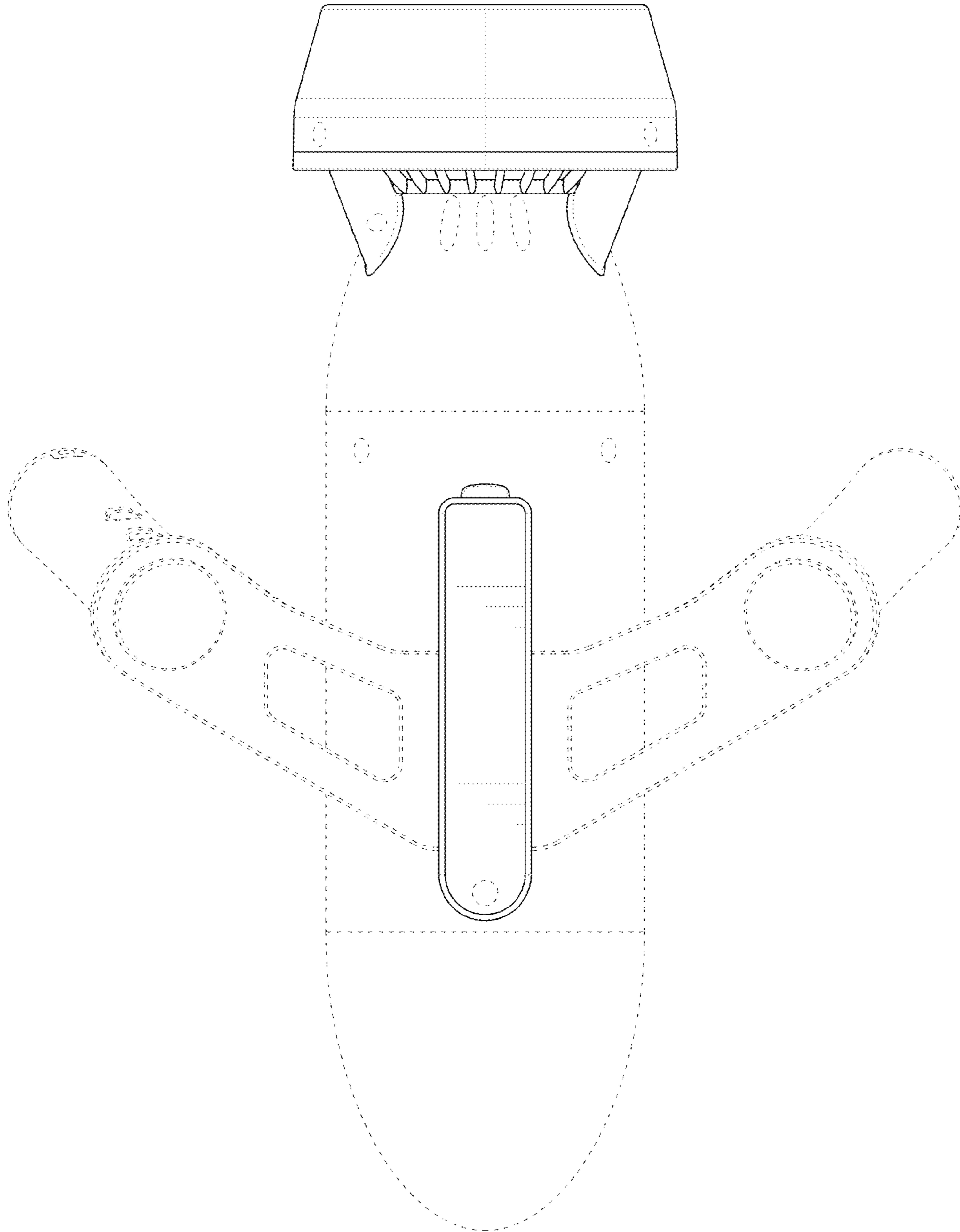


FIG. 8

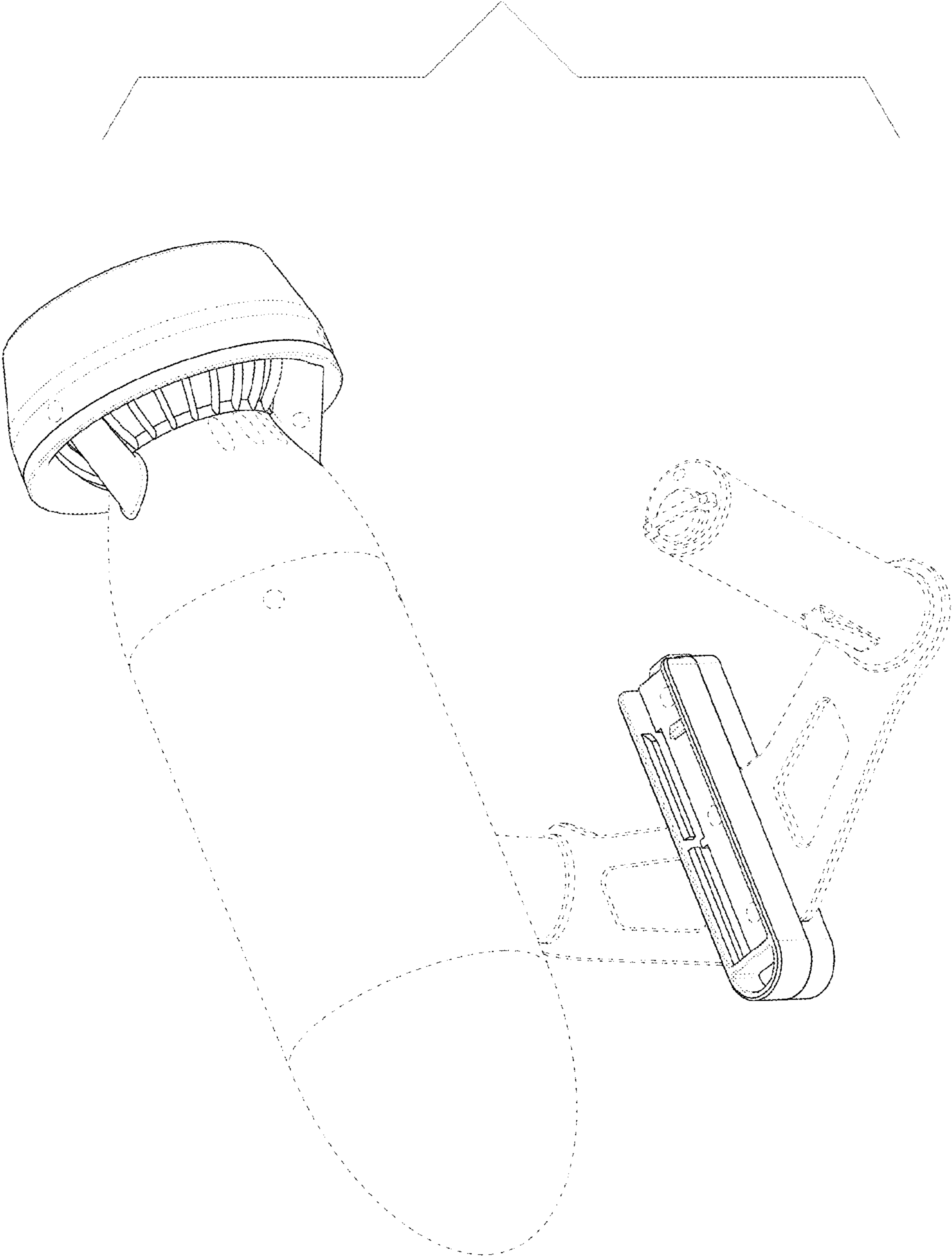


FIG. 9

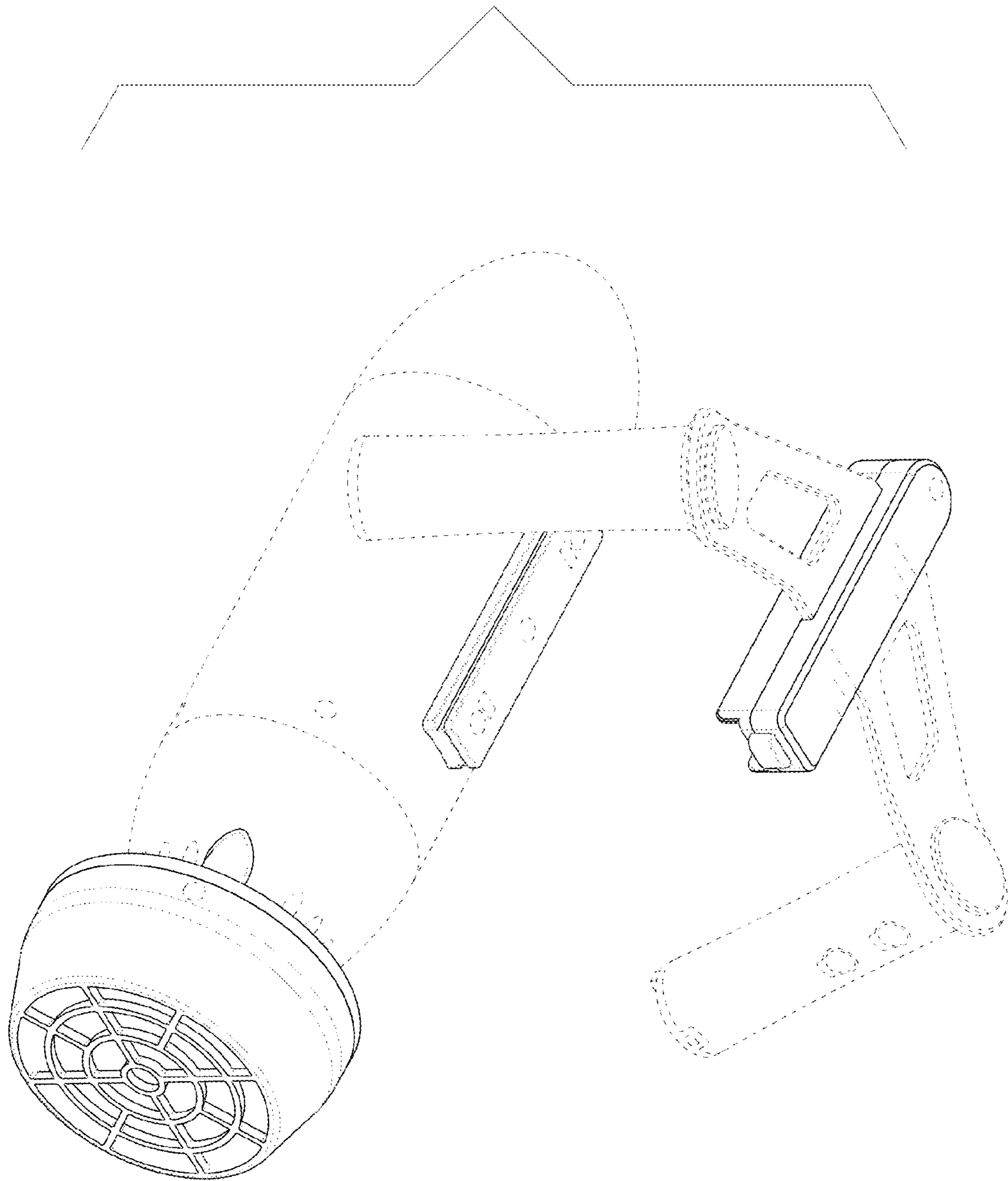


FIG. 10

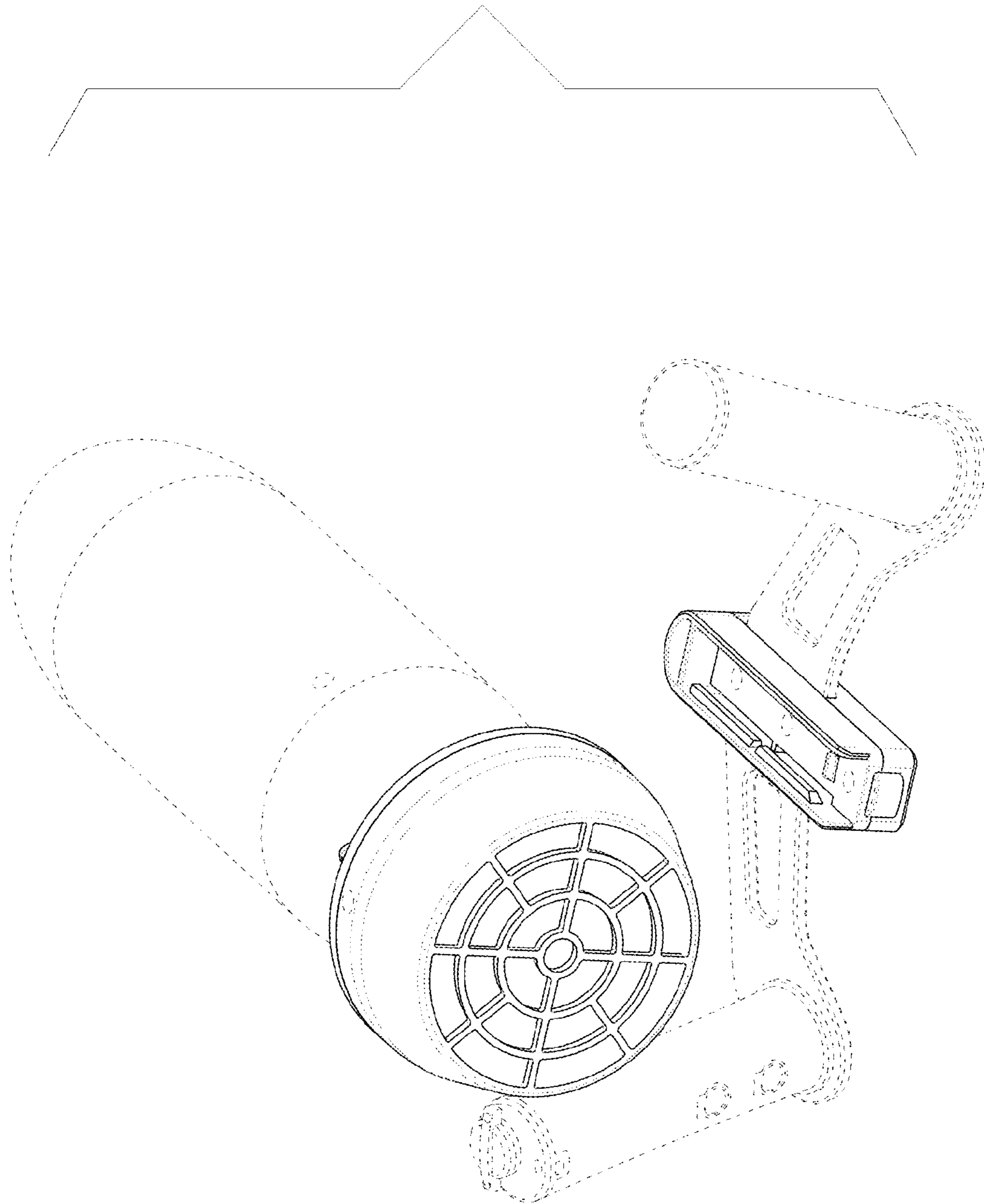


FIG. 11

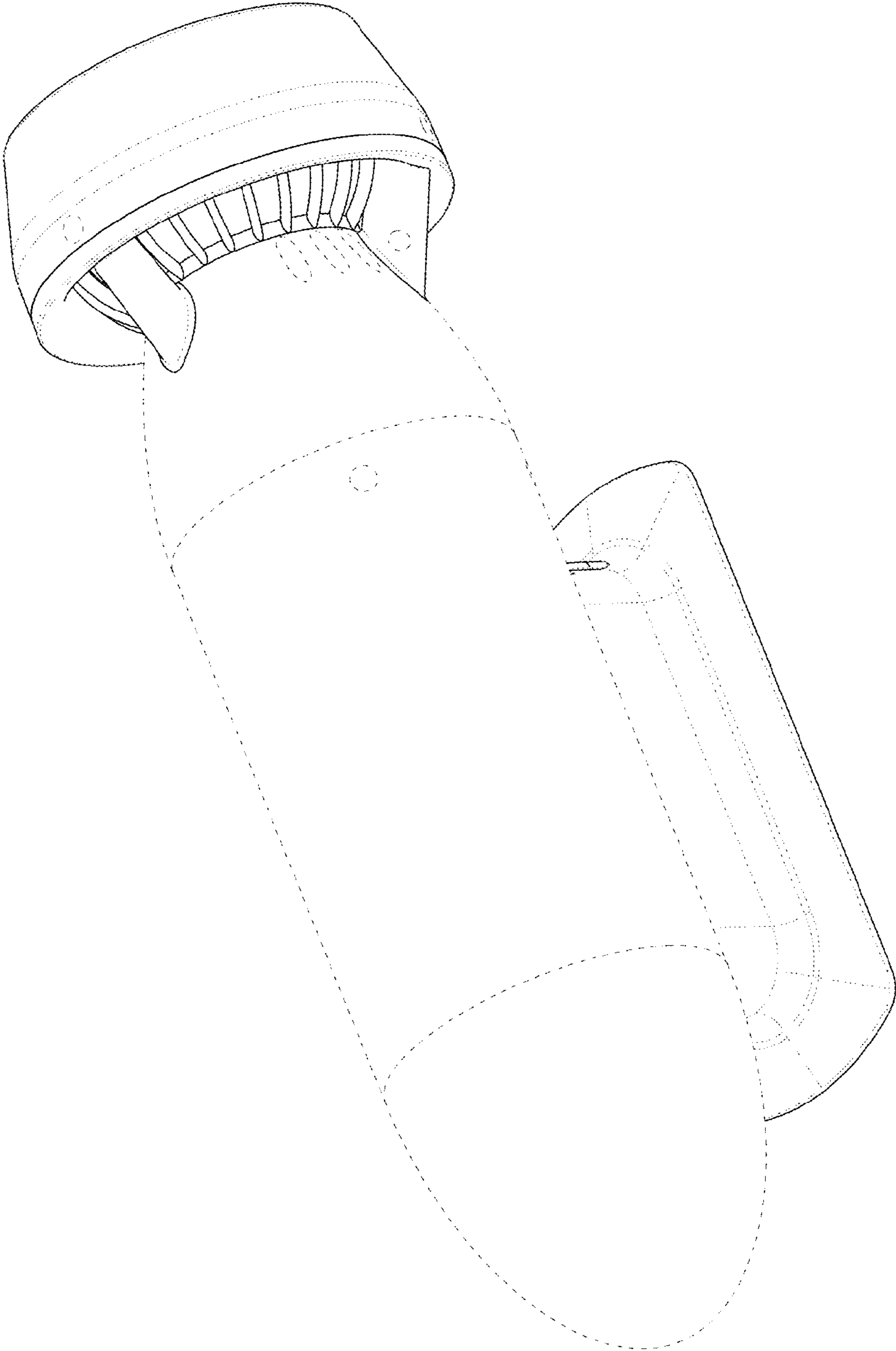


FIG. 12

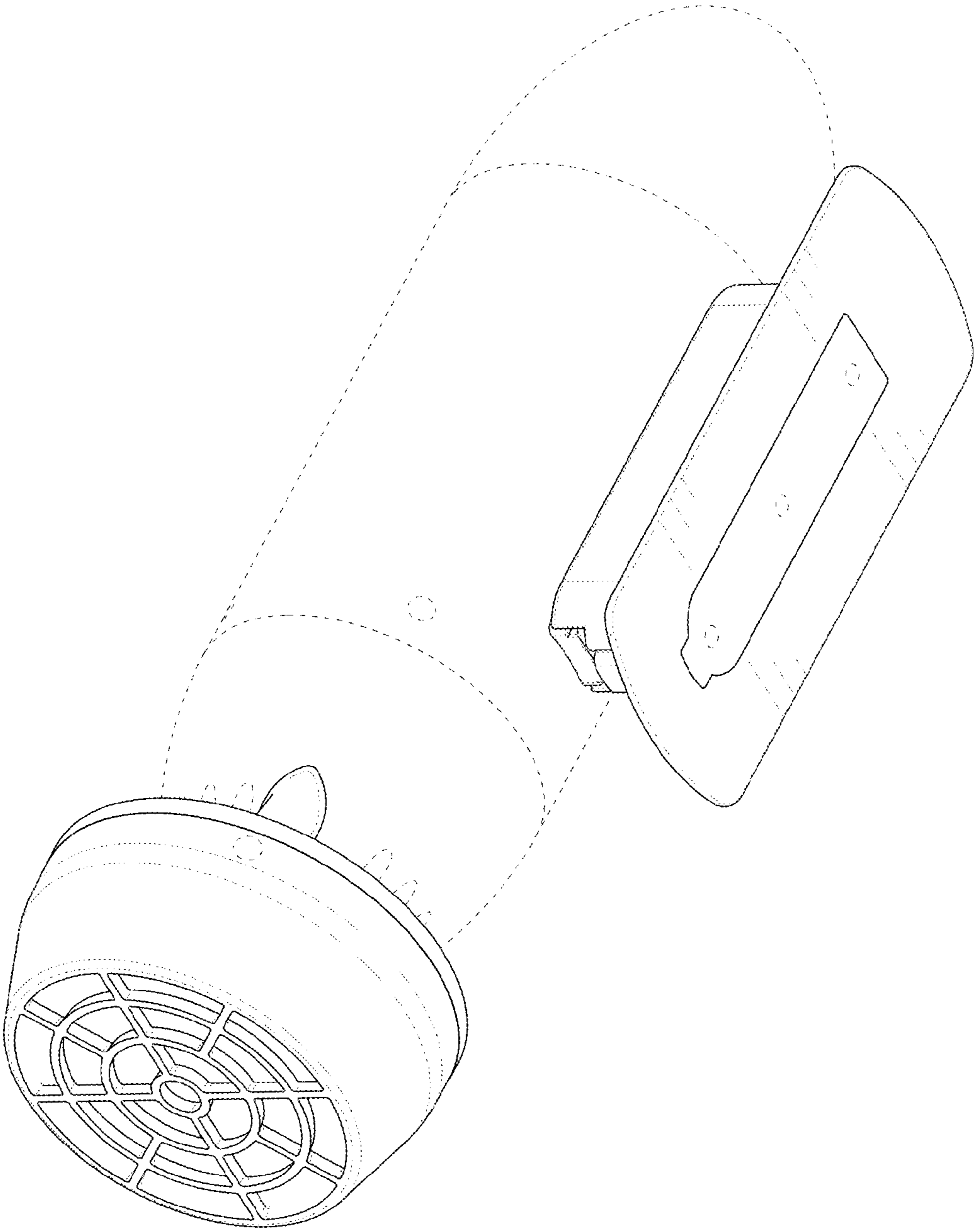


FIG. 13

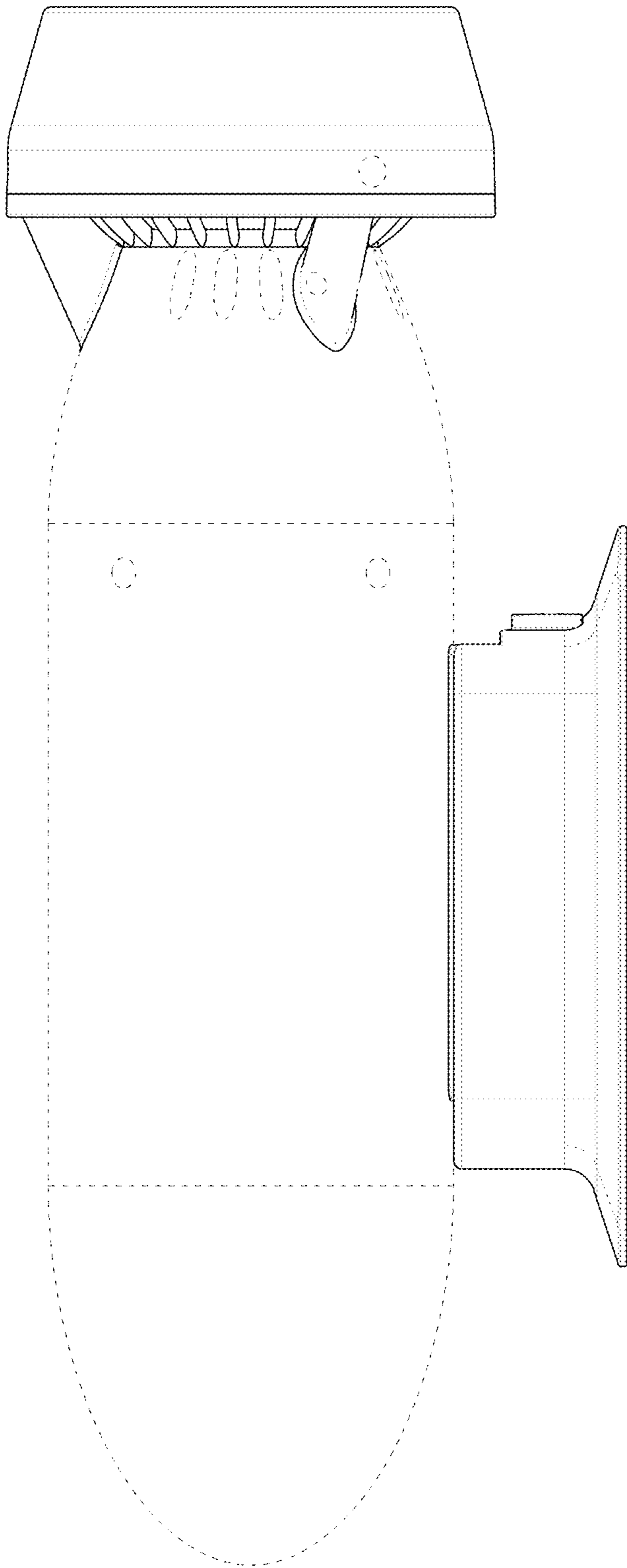


FIG. 14

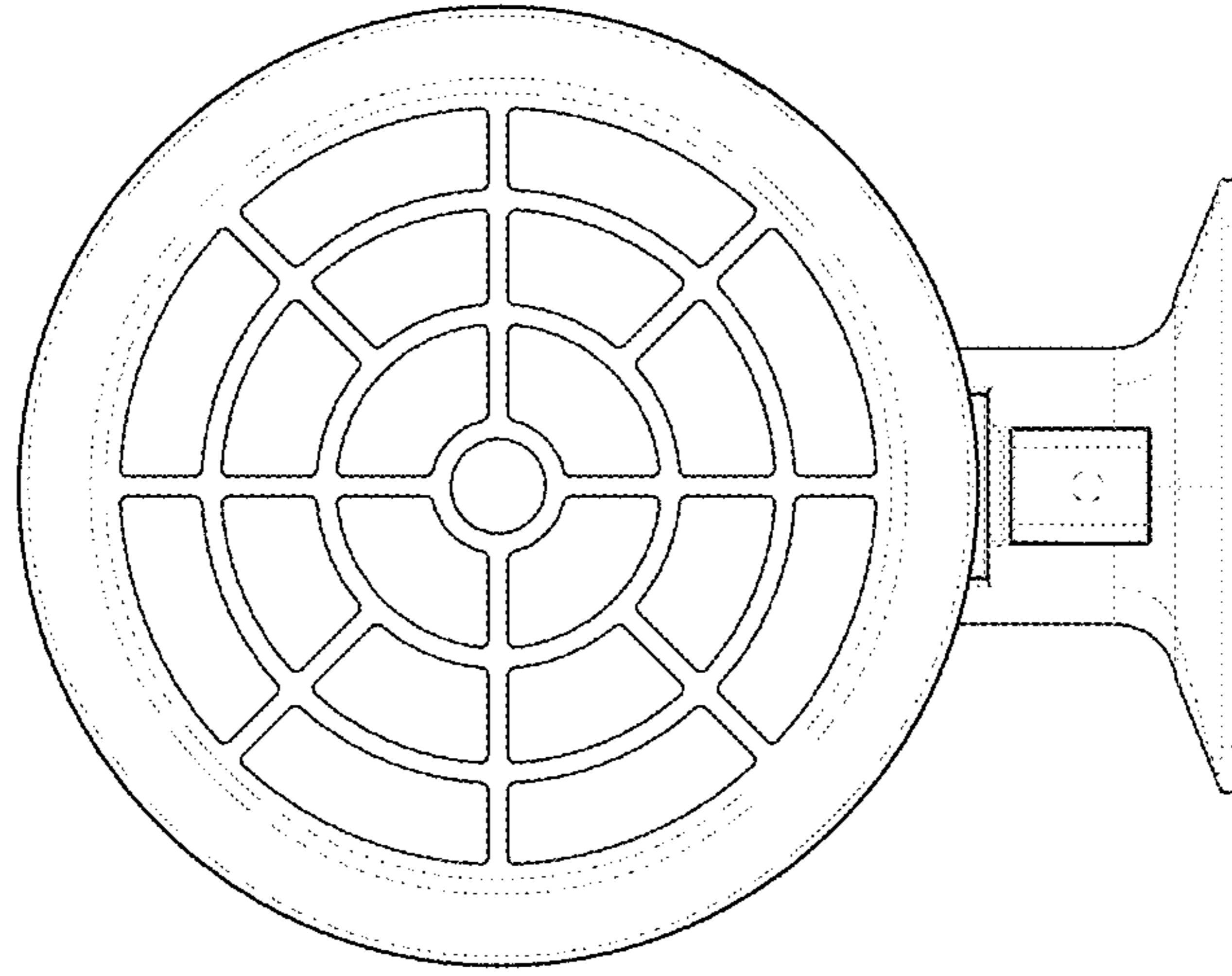


FIG. 15

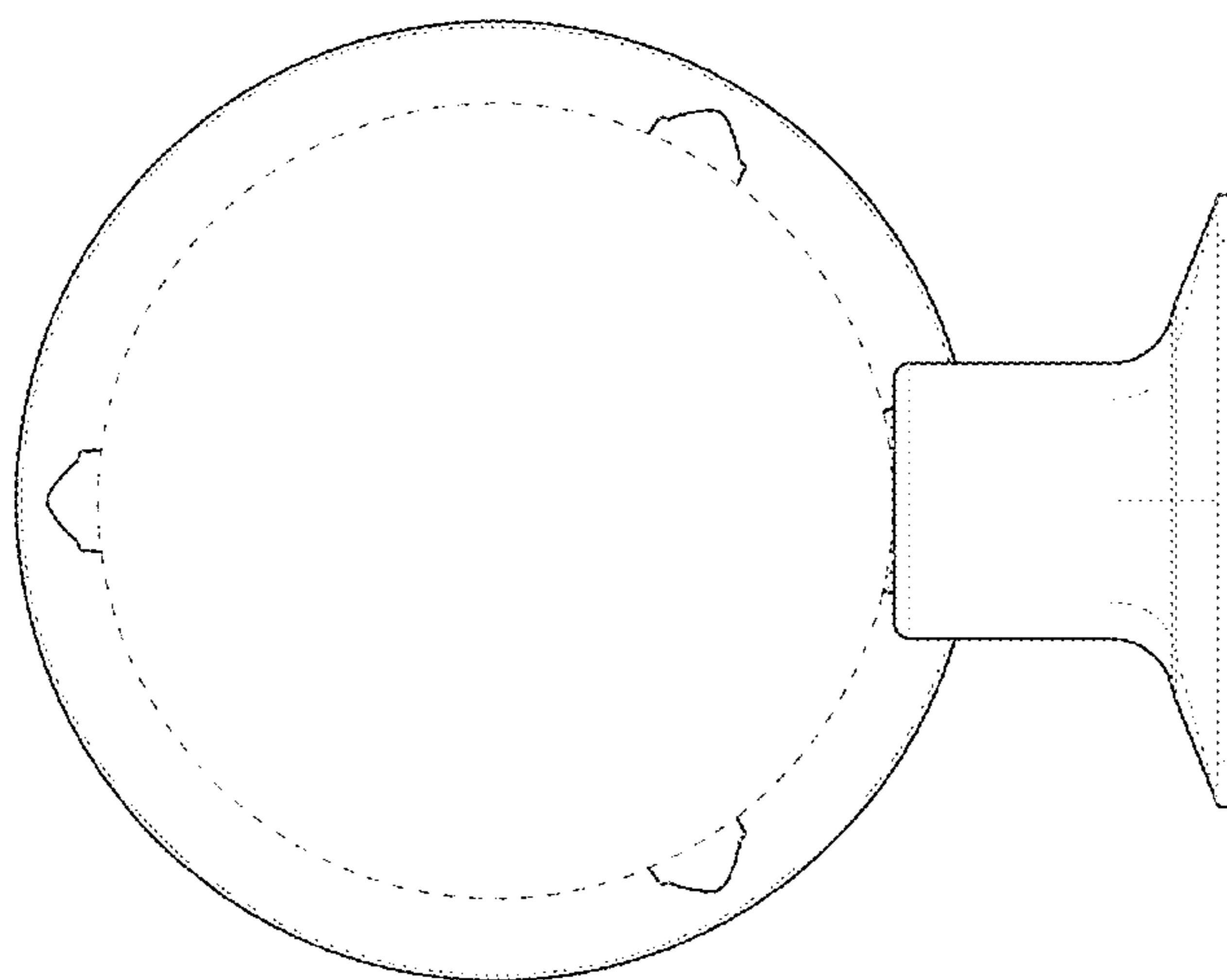


FIG. 16

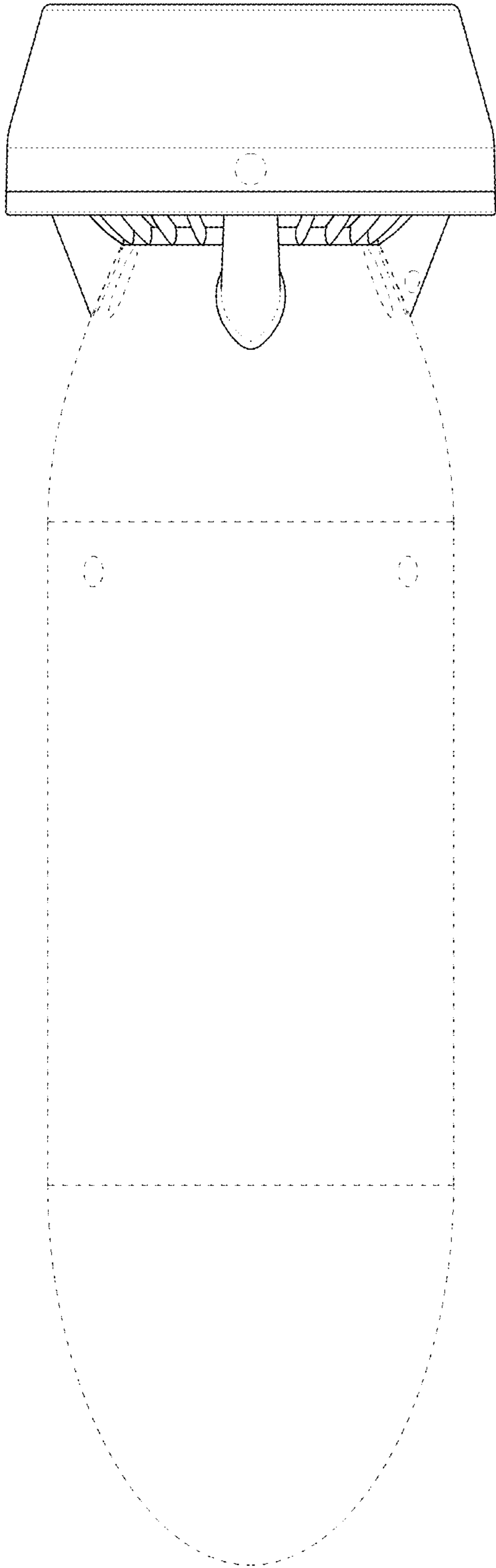


FIG. 17

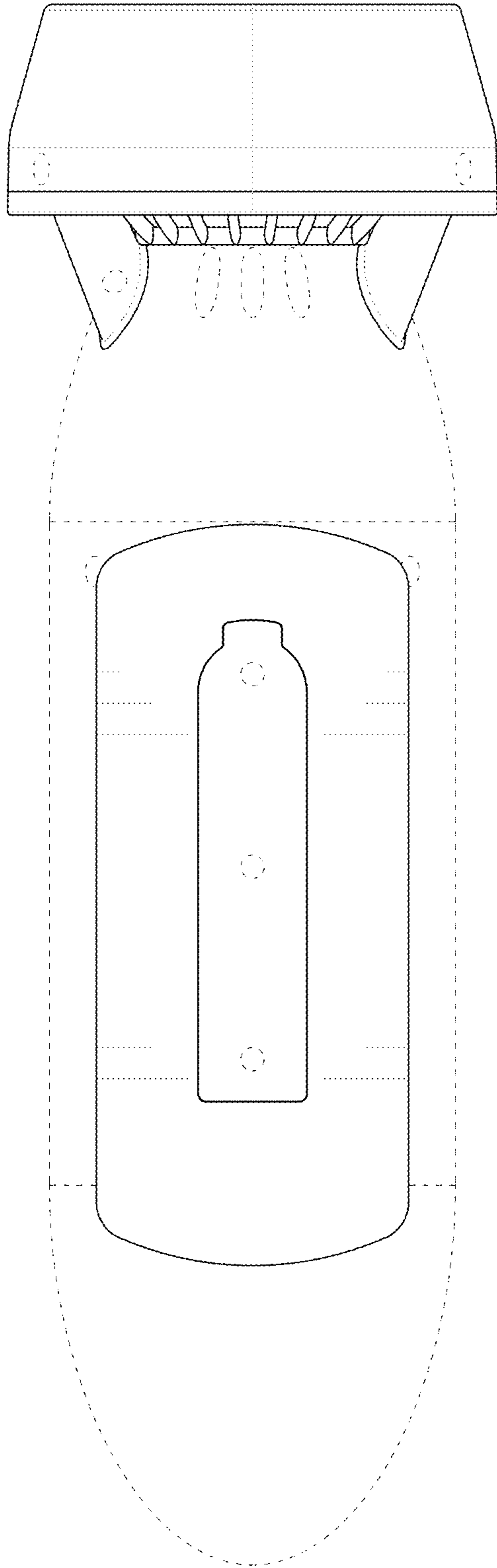


FIG. 18

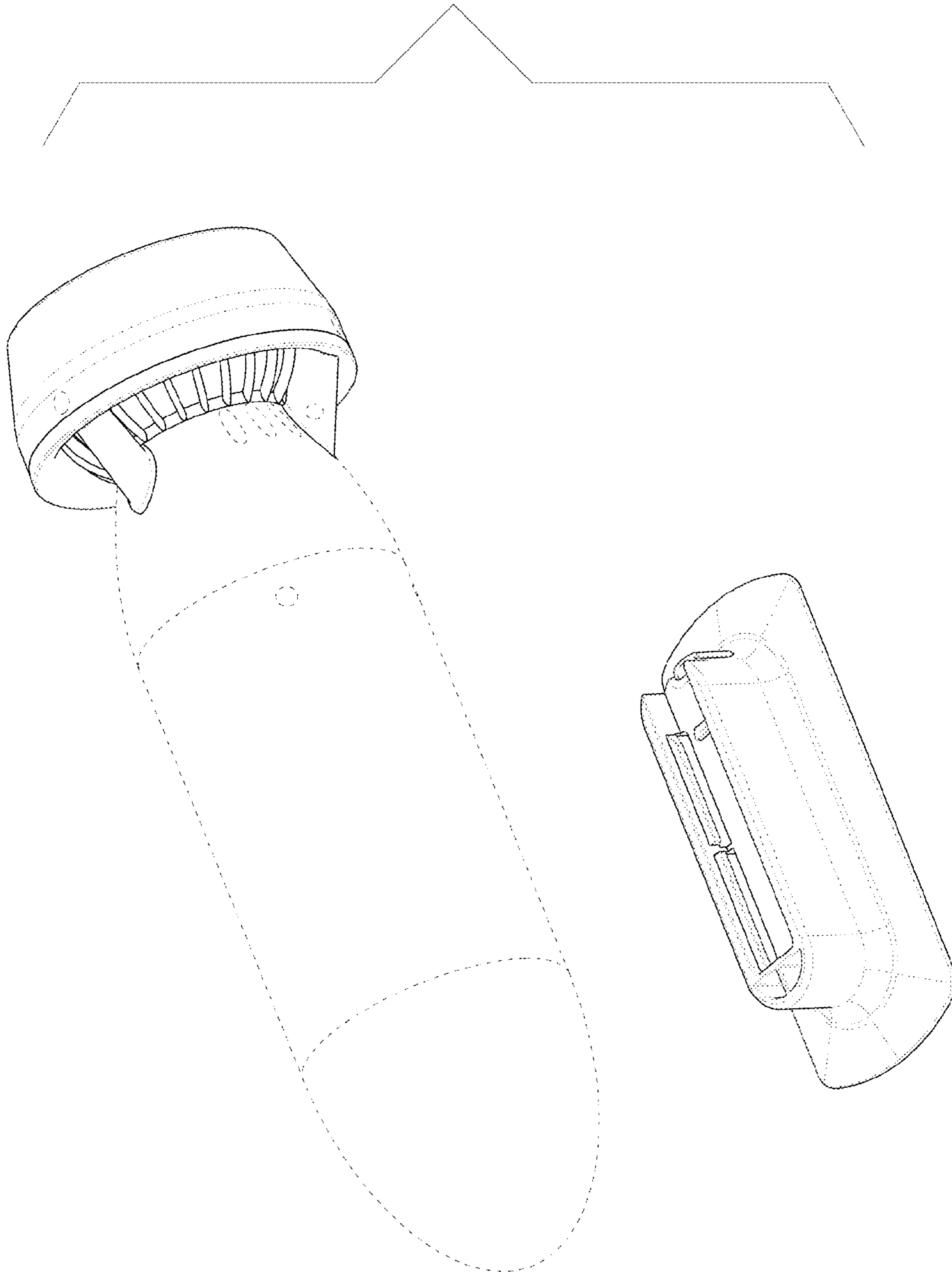


FIG. 19

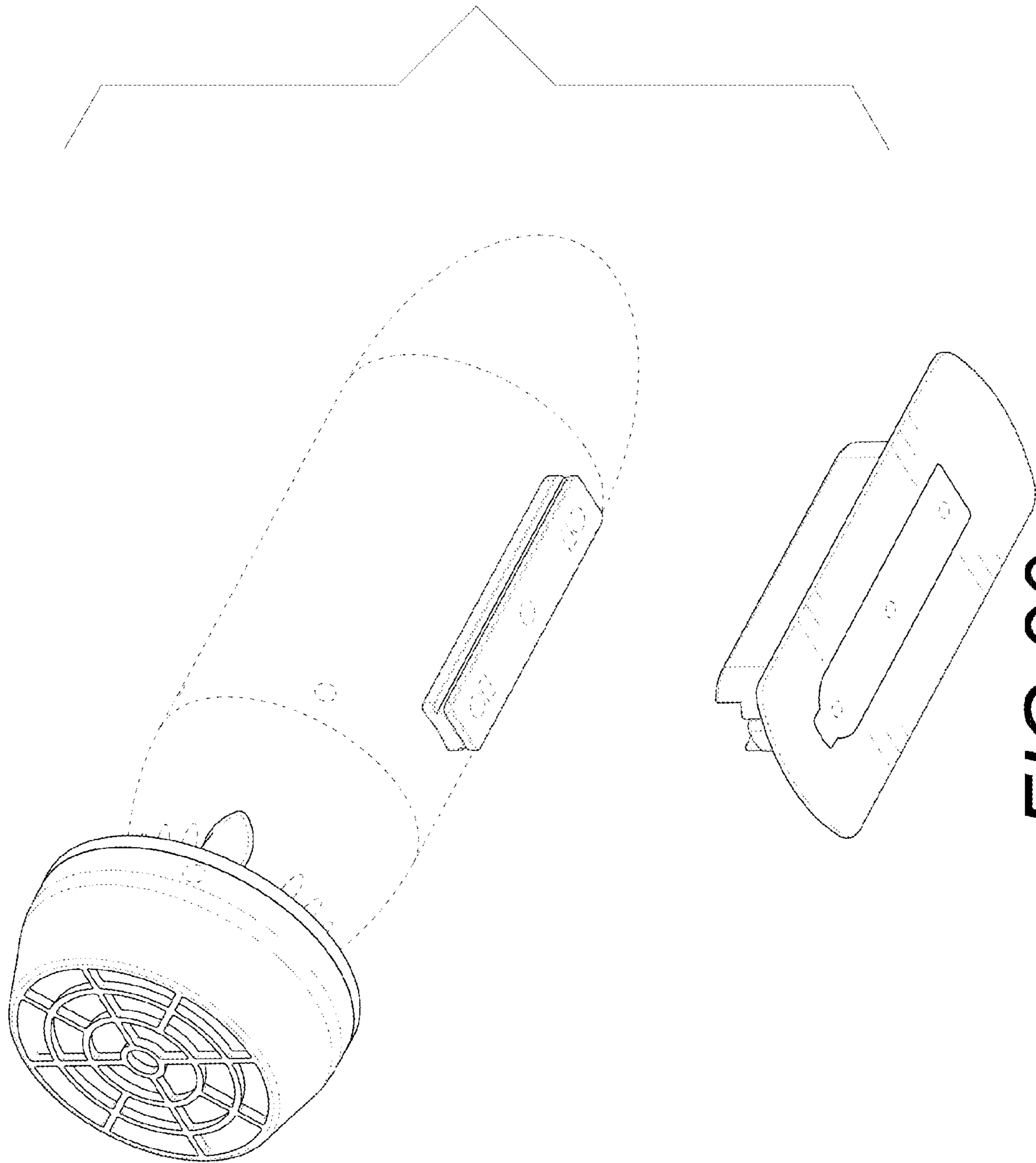


FIG. 20

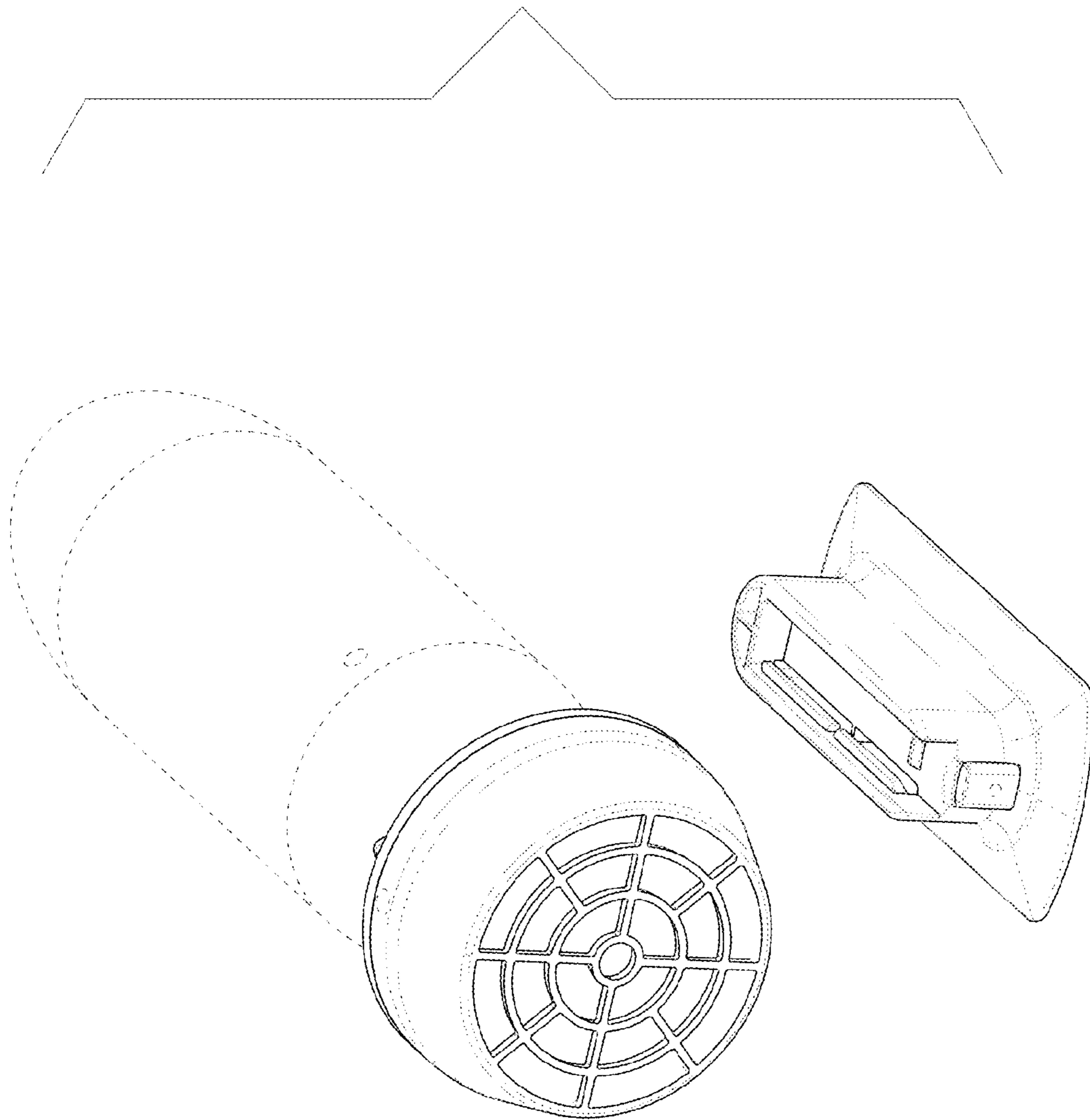


FIG. 21