



US00D984951S

(12) **United States Design Patent** (10) **Patent No.:** **US D984,951 S**
Sullivan et al. (45) **Date of Patent:** **** May 2, 2023**

(54) **MODULAR SPARE TIRE MOUNT FOR ACCESSORIES**

FOREIGN PATENT DOCUMENTS

(71) Applicants: **Royce Sullivan**, Temecula, CA (US);
Jerry Sullivan, Temecula, CA (US)

CN 303438532 * 11/2015
CN 305715113 * 4/2020

(Continued)

(72) Inventors: **Royce Sullivan**, Temecula, CA (US);
Jerry Sullivan, Temecula, CA (US)

OTHER PUBLICATIONS

(**) Term: **15 Years**

Smittybilt 2739 I-Rack2 Intelligent Rack, download from the Internet at https://smile.amazon.com/Smittybilt-2739-Intelligent-Universal-Platform/dp/B00AQFE931/ref=sr_1_1?crd=VVUMCLKN262Q&keywords=Smittybilt+I-rack&qid=1648847118&sprefix=smittybilt+i-rack+%2C179&sr=8-1 on Apr. 1, 2022.

(21) Appl. No.: **29/833,467**

(22) Filed: **Apr. 4, 2022**

Primary Examiner — Sheryl Lane

(51) **LOC (14) Cl.** **12-16**

Assistant Examiner — Ieisha N Price

(52) **U.S. Cl.**

(74) *Attorney, Agent, or Firm* — QuickPatents, LLC;
Kevin Prince

USPC **D12/202**

(58) **Field of Classification Search**

(57) **CLAIM**

USPC D12/223, 202, 412, 414.1
CPC B62D 43/00; B62D 43/005; B62D 43/007;
B62D 43/02; B62D 43/06; B62D 43/08;
B62D 43/10

The ornamental design for a modular spare tire mount for accessories, as shown and described.

See application file for complete search history.

DESCRIPTION

(56) **References Cited**

U.S. PATENT DOCUMENTS

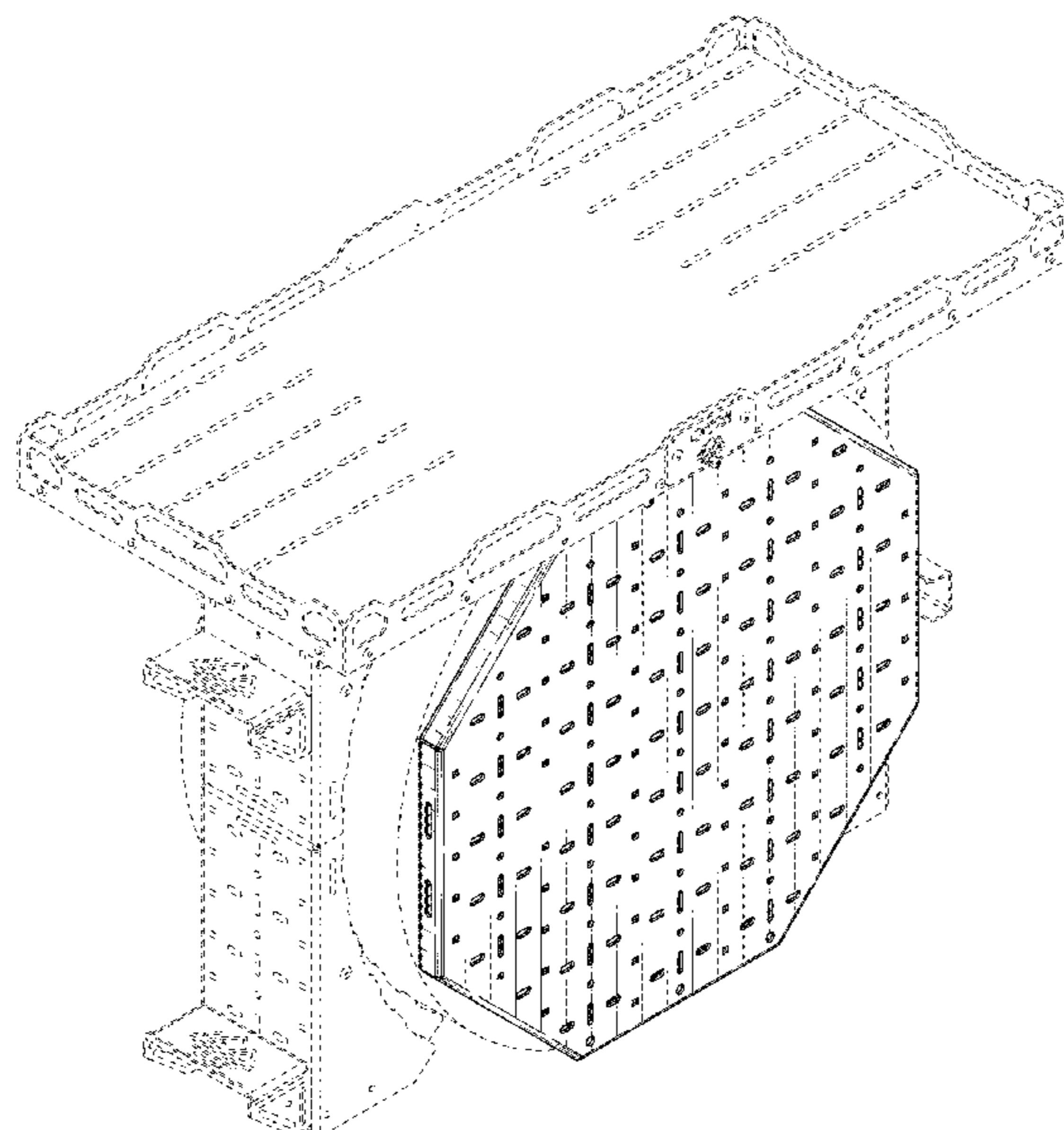
1,186,073 A * 6/1916 Brown B60R 9/06
206/304
1,845,292 A * 2/1932 Kuzmich B62D 43/007
224/42.25
D206,185 S * 11/1966 Davis D12/202
5,203,479 A * 4/1993 Lucas B62D 43/02
296/37.6
5,228,608 A * 7/1993 Stout, III B62D 43/005
D12/202
5,871,327 A * 2/1999 McWha B60B 29/00
414/466
6,003,922 A * 12/1999 Giesey B60R 13/105
224/42.21

FIG. 1 is a top perspective view of a modular spare tire mount for accessories, showing our new design; FIG. 2 is a bottom perspective view thereof; FIG. 3 is a front elevational view of FIG. 2; FIG. 4 is a rear elevational view of FIG. 2; FIG. 5 is a top plan view of FIG. 2; FIG. 6 is a bottom plan view of FIG. 2; FIG. 7 is a left-side elevational view of FIG. 2, the right-side elevational view being a mirror image thereof; FIG. 8 is a cross-sectional view thereof, taken along line 8--8- of FIG. 2; and, FIG. 9 is a cross-sectional view thereof, taken along line 9--9 of FIG. 2.

The broken lines showing of the top platform, side mounting plates, and a wheel, in FIG. 1, illustrates the environment of the claimed design and forms no part thereof.

(Continued)

1 Claim, 6 Drawing Sheets



(56)

References Cited

U.S. PATENT DOCUMENTS

6,098,855 A * 8/2000 Grabowski B62D 43/02
 40/200
 6,477,798 B1 * 11/2002 Giesey B62D 43/02
 224/42.2
 D792,826 S * 7/2017 Me D12/202
 D859,496 S * 9/2019 Diaz D16/208
 D866,449 S * 11/2019 Walker D12/412
 10,479,284 B1 * 11/2019 Salyer B60R 9/06
 D877,040 S * 3/2020 Schellens D12/412
 D912,606 S * 3/2021 Chen D12/412
 D916,645 S * 4/2021 McGraw D12/412
 D952,540 S * 5/2022 Yang D12/412
 2002/0050500 A1 * 5/2002 Vasseur B62D 43/08
 224/42.21
 2005/0000990 A1 * 1/2005 Gilstrap B62J 9/22
 224/42.2
 2006/0285953 A1 * 12/2006 Wooten B62D 43/02
 414/463
 2012/0031934 A1 * 2/2012 Danze B62D 43/00
 224/42.12
 2015/0230599 A1 * 8/2015 Larimer B62D 43/02
 108/13
 2020/0298917 A1 * 9/2020 Unger B62D 43/02

FOREIGN PATENT DOCUMENTS

CN 305808085 * 5/2020
 CN 307158990 * 3/2022
 IN 222082-0001 * 12/2010

* cited by examiner

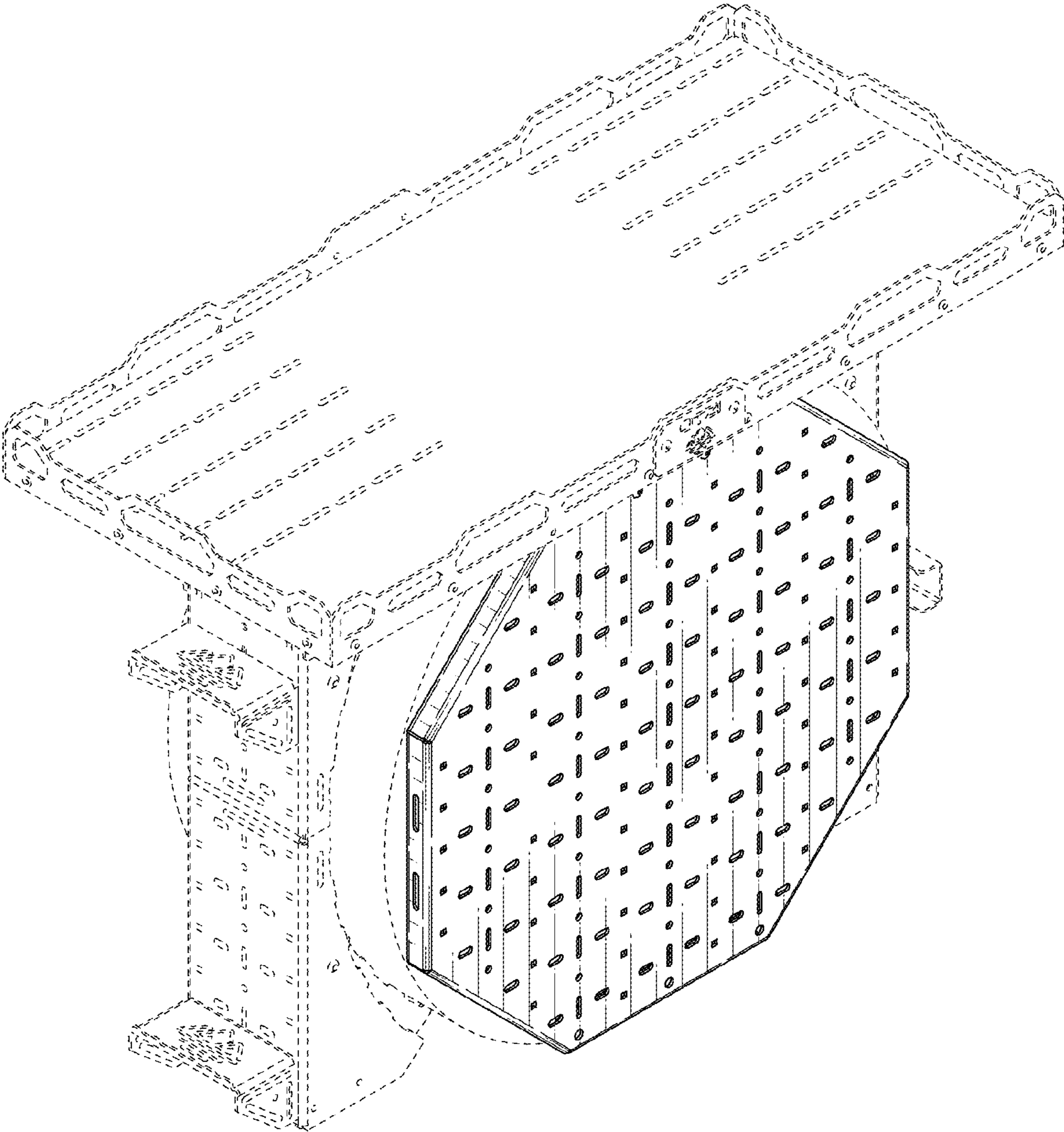


FIG. 1

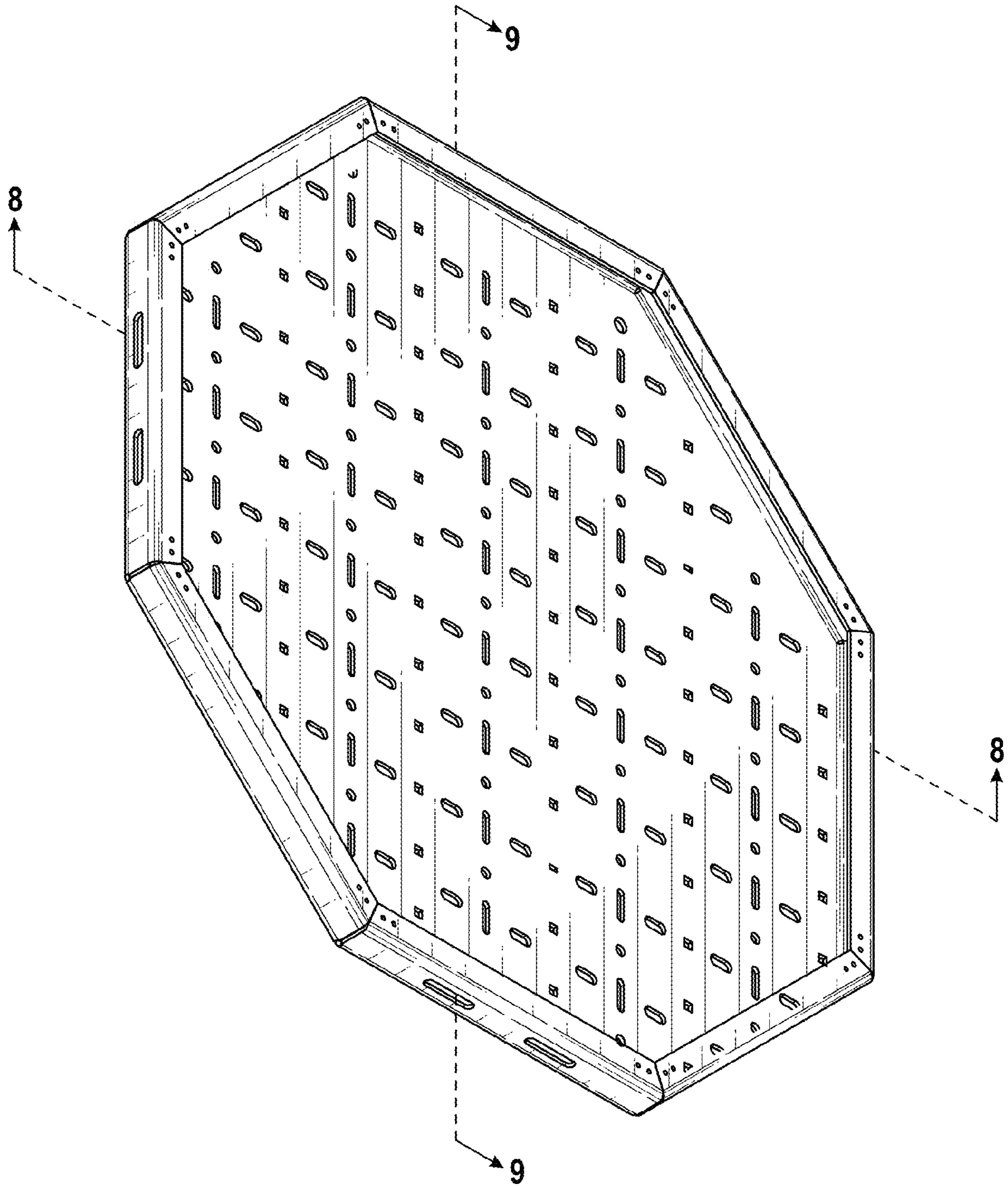


FIG. 2

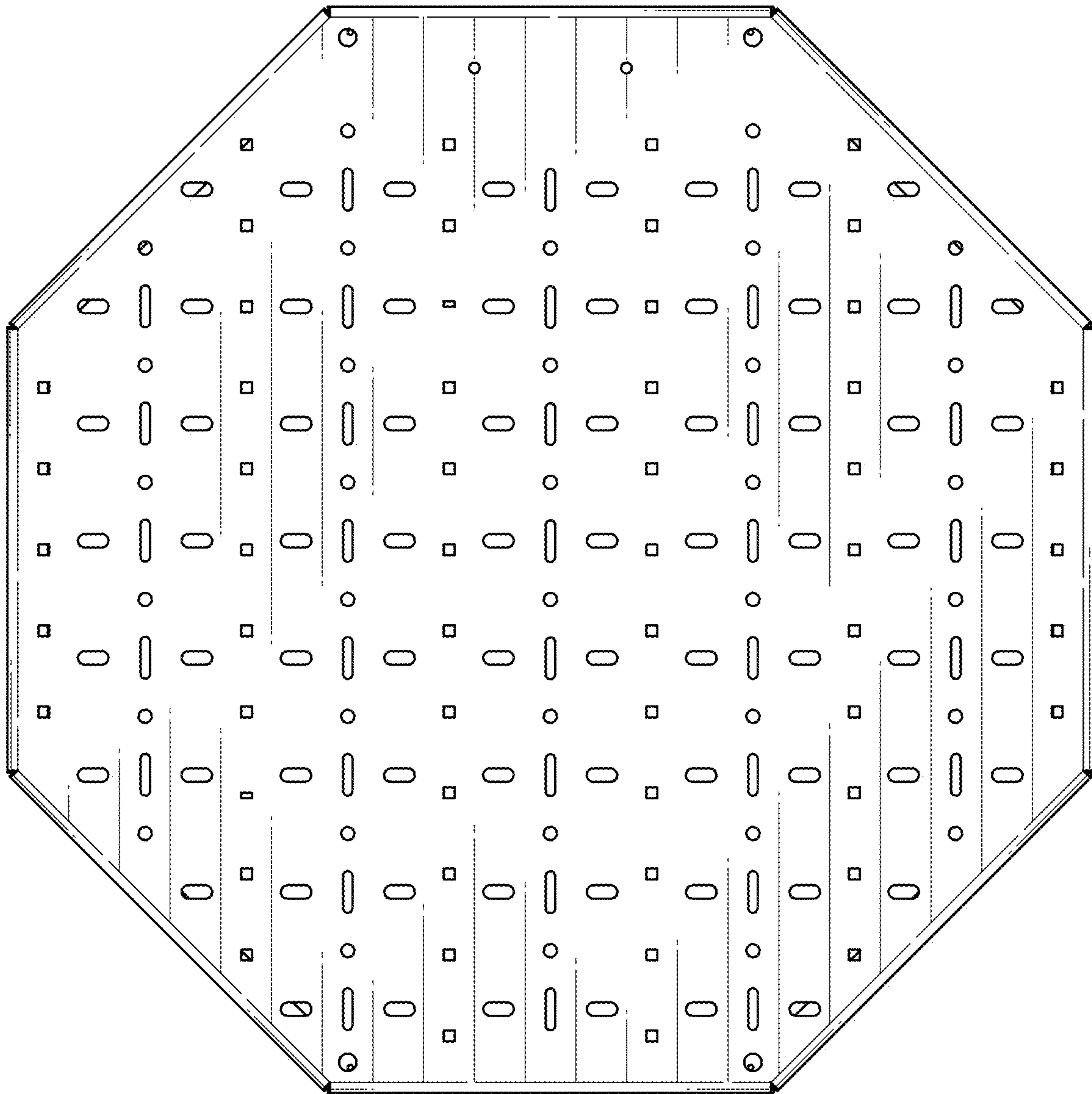


FIG. 3

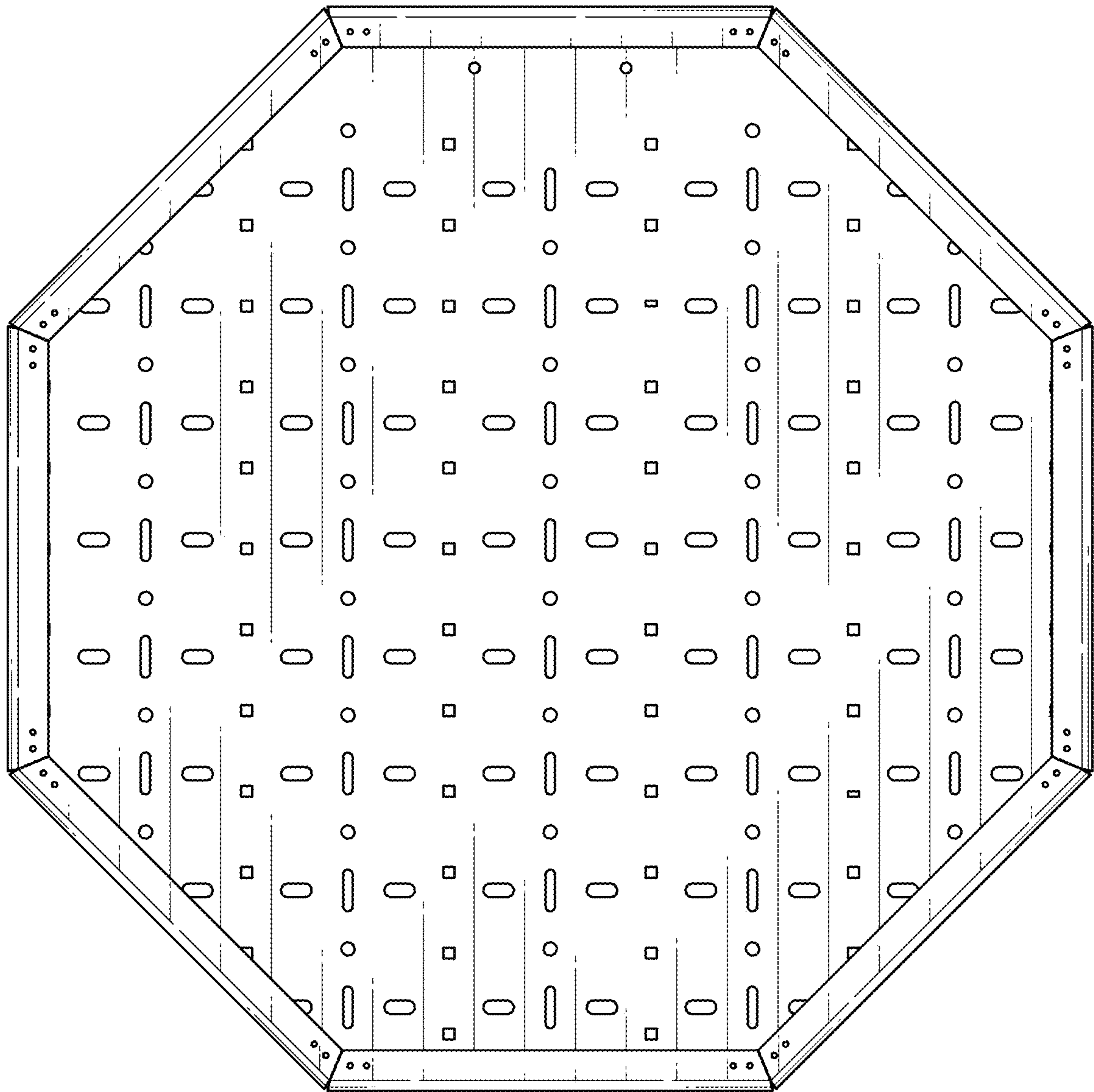


FIG. 4

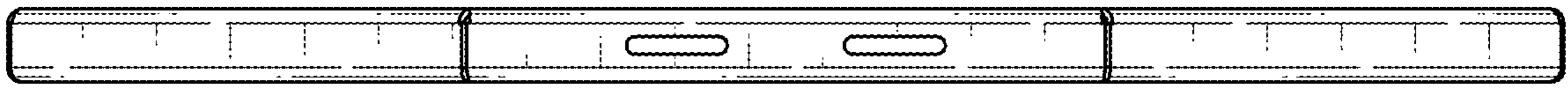


FIG. 5

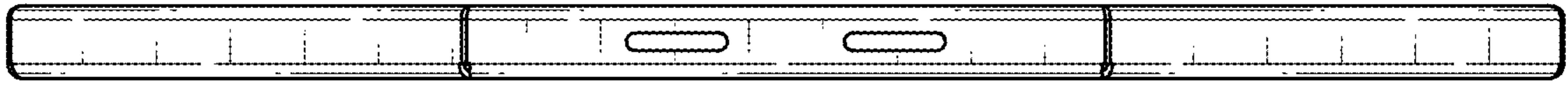


FIG. 6

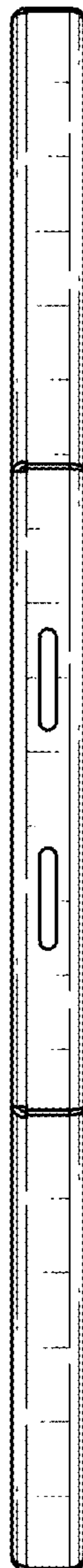


FIG. 7

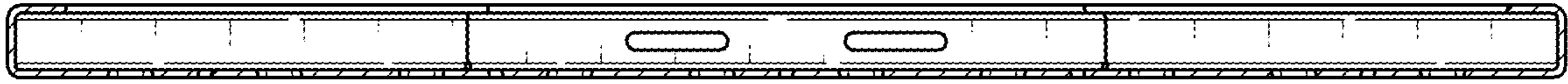


FIG. 8

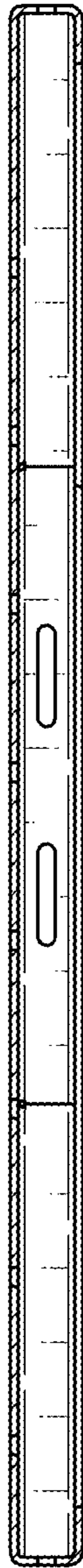


FIG. 9