



US00D984946S

(12) **United States Design Patent** (10) **Patent No.:** **US D984,946 S**  
**Greiving** (45) **Date of Patent:** **\*\* May 2, 2023**

(54) **WHEEL**  
(71) Applicant: **Wheel Pros, LLC**, Greenwood Village, CO (US)  
(72) Inventor: **Eric Greiving**, Buena Park, CA (US)  
(73) Assignee: **Wheel Pros LLC**, Greenwood Village, CO (US)  
(\*\*) Term: **15 Years**

D496,317 S 9/2004 Kataoka  
D499,684 S 12/2004 Cheng  
D502,438 S 3/2005 Weld  
D504,101 S \* 4/2005 Pfeiffer ..... D12/211  
D504,859 S 5/2005 Sulahian  
D505,374 S 5/2005 Aleman  
D506,967 S \* 7/2005 Kamimura ..... D12/211  
D510,307 S 10/2005 Howes  
D522,439 S \* 6/2006 Laengerer ..... D12/211  
D523,797 S 6/2006 Gallert  
D524,212 S 7/2006 Phillips  
(Continued)

(21) Appl. No.: **29/806,572**  
(22) Filed: **Sep. 3, 2021**  
(51) **LOC (14) Cl.** ..... **12-16**  
(52) **U.S. Cl.**  
USPC ..... **D12/211**  
(58) **Field of Classification Search**  
USPC ..... D12/204–213; D21/563  
CPC .... B60B 7/00; B60B 7/02; B60B 7/04; B60B 7/06; B60B 3/02; B60B 3/04; B60B 3/06; B60B 3/08; B60B 3/10; B60B 1/00; B60B 1/08; B60B 1/10; B60B 1/12  
See application file for complete search history.

FOREIGN PATENT DOCUMENTS

CN 306440928 \* 4/2021  
CN 307542367 \* 9/2022  
IN 367906-001-0001 \* 12/2022

OTHER PUBLICATIONS

ALPHAequipt Foxtrot Bronze w/Black Lip, available in TireRack.com, announced Year 2021 [online], [site visited Feb. 3, 2023], Internet URL: [https://www.tirerack.com/wheels/alphaequipt-foxtrot-bronze-w-black-lip.\\*](https://www.tirerack.com/wheels/alphaequipt-foxtrot-bronze-w-black-lip.*)

(Continued)

*Primary Examiner* — Darlington Ly  
*Assistant Examiner* — D. Ryan Tisdale  
(74) *Attorney, Agent, or Firm* — Eric Hanscom

(56) **References Cited**

U.S. PATENT DOCUMENTS

1,721,679 A \* 7/1929 Watkins ..... B60B 23/04 301/26  
D291,796 S 9/1987 Reid  
D361,975 S 9/1995 Weld  
D391,216 S 2/1998 Ballmann  
D408,775 S 4/1999 Shikado  
D453,492 S 2/2002 Laengerer  
D455,698 S 4/2002 Chung  
D467,212 S 12/2002 Noriega  
D470,094 S 2/2003 van Hooydonk  
D480,036 S 9/2003 Laengerer  
D482,309 S \* 11/2003 Sulahian ..... D12/211  
D482,996 S 12/2003 Sulahian  
D492,925 S 7/2004 Fitzgerald

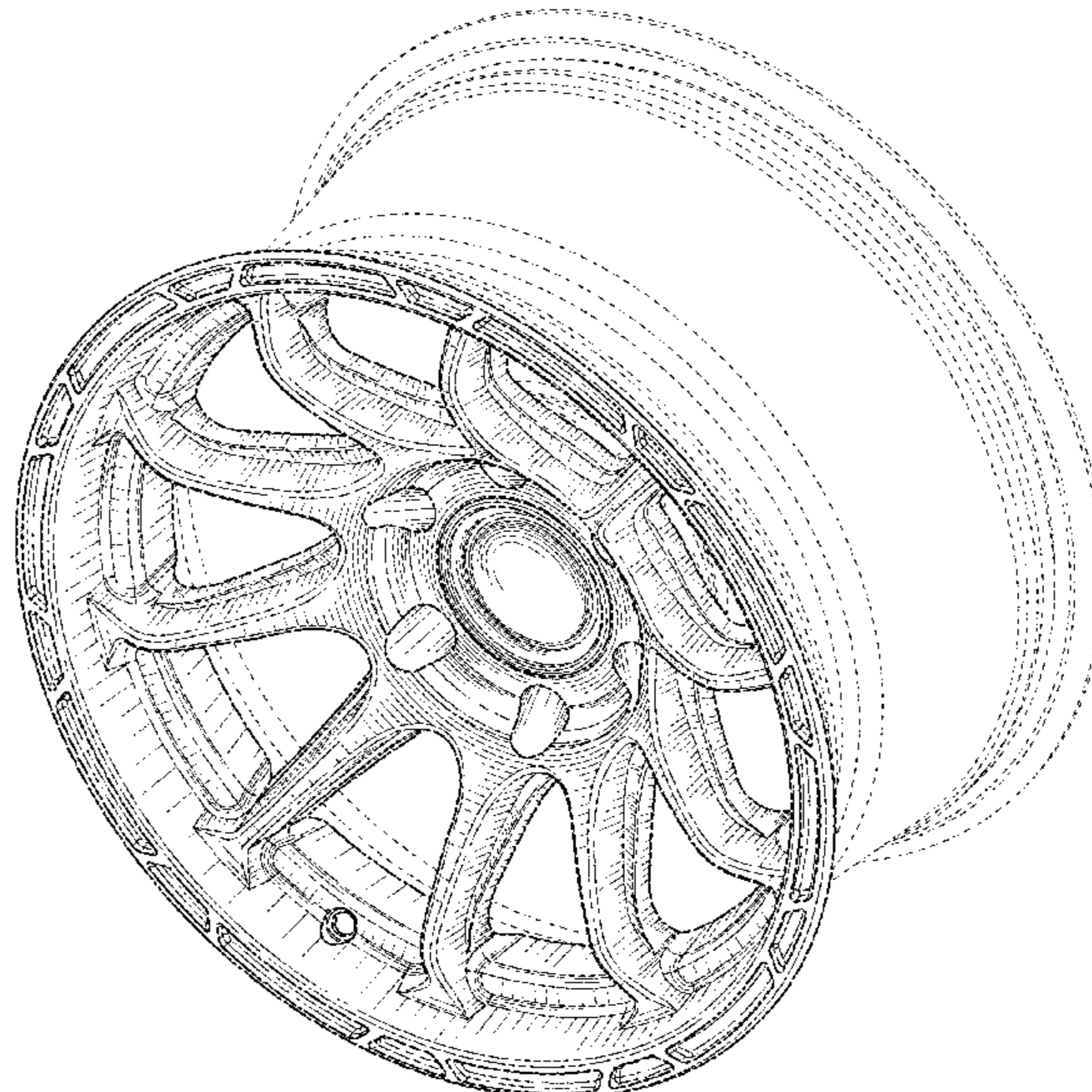
(57) **CLAIM**

The ornamental design for a wheel, as shown and described.

**DESCRIPTION**

FIG. 1 is a perspective view of a wheel showing my new design; and, FIG. 2 is a front view thereof. In the drawings, the broken lines depict portions of the wheel that form no part of the claimed design.

**1 Claim, 2 Drawing Sheets**



(56)

References Cited

U.S. PATENT DOCUMENTS

D524,220 S 7/2006 Scheu  
 D528,495 S 9/2006 Truebsbach  
 D542,209 S 5/2007 Pfeiffer  
 D549,148 S 8/2007 Buschmann  
 D569,777 S 5/2008 Chung  
 D577,650 S 9/2008 Chung  
 D579,845 S 11/2008 Chung  
 D582,831 S 12/2008 Musser  
 D584,210 S \* 1/2009 Baum ..... D12/211  
 D598,357 S 8/2009 Chung  
 D617,723 S 6/2010 Zhao  
 D623,109 S 9/2010 Markefka  
 D635,903 S 4/2011 Zhang  
 D654,007 S 2/2012 Nissl  
 D654,420 S 2/2012 Guay  
 D660,771 S 5/2012 Mueller-Stolz  
 D669,009 S 10/2012 Chung  
 D686,961 S 7/2013 Chung  
 D695,193 S 12/2013 Kong  
 D698,298 S 1/2014 Cortes  
 D698,300 S 1/2014 Chung  
 D702,172 S 4/2014 Chung  
 D704,117 S 5/2014 Chung  
 D704,617 S 5/2014 Chung  
 D706,197 S 6/2014 Chung  
 D707,167 S 6/2014 Chung  
 D709,020 S 7/2014 Chung  
 D713,316 S 9/2014 Song  
 D714,207 S 9/2014 Kim  
 D717,709 S 11/2014 Valencia Pollex  
 D719,893 S 12/2014 Kim  
 D731,946 S 6/2015 Chung  
 D742,293 S 11/2015 Chung  
 D753,046 S 4/2016 Liffick  
 D756,882 S 5/2016 Tirado  
 D766,805 S 9/2016 Chung  
 D769,785 S 10/2016 Wells  
 D780,655 S 3/2017 Trim  
 D798,786 S 10/2017 Chung  
 D798,789 S 10/2017 Kong  
 D799,395 S 10/2017 Chung  
 D800,633 S 10/2017 Kong  
 D802,512 S 11/2017 Kong  
 D805,454 S 12/2017 Kong  
 D805,455 S 12/2017 Kong  
 D807,805 S 1/2018 Caldwell  
 D808,876 S 1/2018 Caldwell  
 D817,845 S 5/2018 Guidry

D821,284 S 6/2018 Tran  
 D824,316 S 7/2018 Tran  
 D826,827 S 8/2018 Tran  
 D833,360 S 11/2018 Kong  
 D835,023 S 12/2018 Tran  
 D838,223 S 1/2019 Chung  
 D840,900 S 2/2019 Lickliter  
 D840,901 S 2/2019 Lickliter  
 D840,902 S 2/2019 Lickliter  
 D849,655 S 5/2019 Kong  
 D850,349 S 6/2019 Lickliter  
 D852,706 S 7/2019 Tran  
 D860,899 S 9/2019 Lickliter  
 D860,900 S 9/2019 Lickliter  
 D860,901 S 9/2019 Lickliter  
 D862,341 S 10/2019 Kong  
 D879,005 S \* 3/2020 Zelenak ..... D12/211  
 D893,386 S 8/2020 Chung  
 D896,729 S 9/2020 Chung  
 D897,926 S 10/2020 Chung  
 D899,999 S 10/2020 Kong  
 D904,271 S 12/2020 Henderson  
 D904,272 S 12/2020 Lickliter  
 D909,272 S 2/2021 Chung  
 D910,525 S 2/2021 Tran  
 D911,245 S 2/2021 Chung  
 D912,589 S 3/2021 Hale, Jr.  
 D912,591 S 3/2021 Tran  
 D918,810 S 5/2021 Lickliter  
 D920,879 S \* 6/2021 Hale, Jr. .... D12/209  
 D922,928 S 6/2021 Kong  
 D923,547 S \* 6/2021 Hans ..... D12/211  
 D927,386 S 8/2021 Lickliter  
 D969,702 S \* 11/2022 Sempek ..... D12/209  
 D976,182 S \* 1/2023 Hans ..... D12/209  
 2020/0406672 A1 \* 12/2020 Denmead ..... B60B 21/104  
 2022/0025920 A1 \* 1/2022 Hulbrock ..... F16B 39/282

OTHER PUBLICATIONS

ALPHAequipt Command Bronze Painted, available in TireRack.com, announced Year 2021 [online], [site visited Feb. 3, 2023], Internet URL: <https://www.tirerack.com/wheels/alphaequipt-command-bronze-painted>.\*

American Racing AR944 Gloss Black Painted, available in TireRack.com, announced Year 2022 [online], [site visited Feb. 3, 2023], Internet URL: <https://www.tirerack.com/wheels/american-racing-ar944-gloss-black-painted>.\*

\* cited by examiner



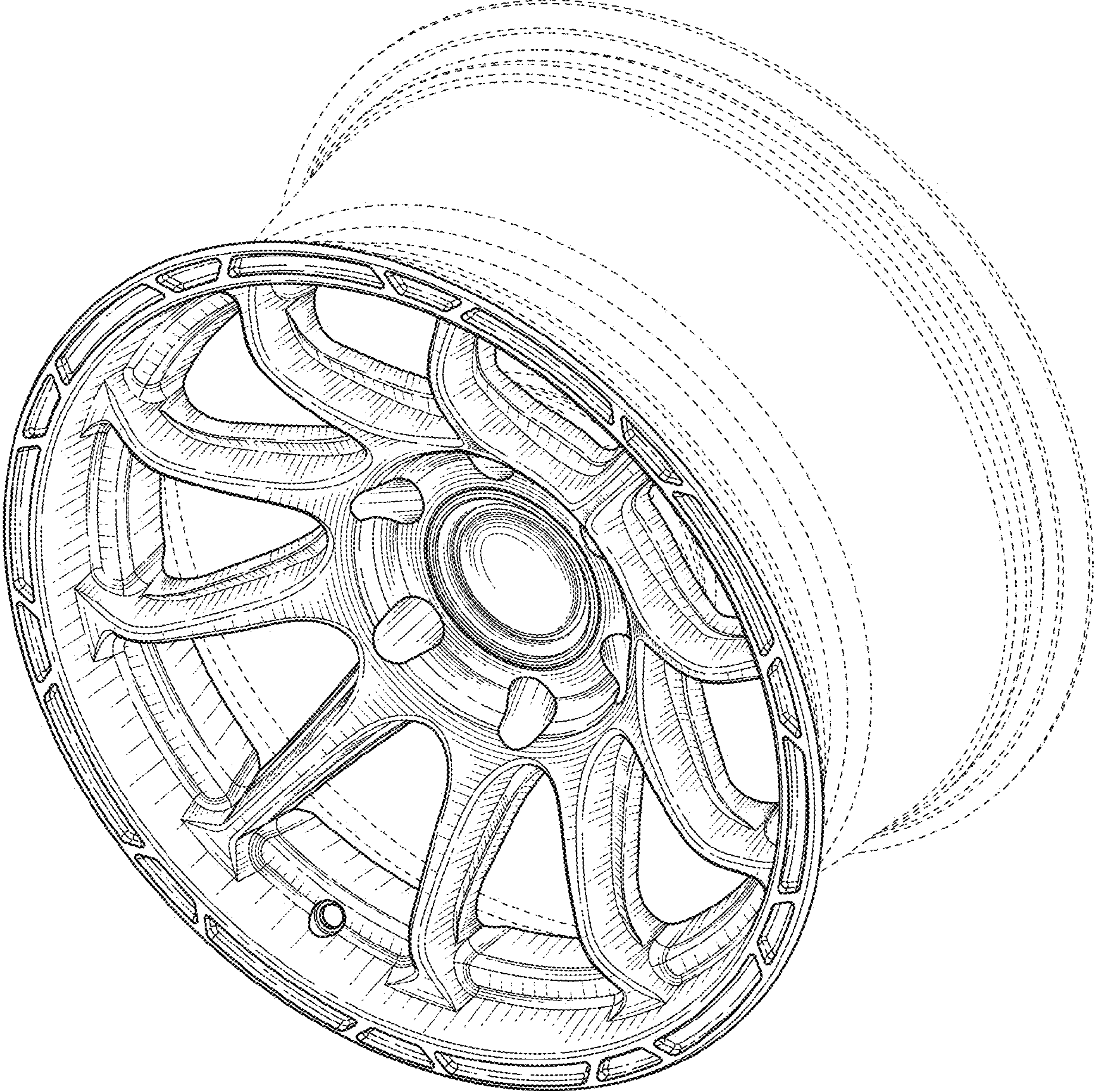


FIG. 1



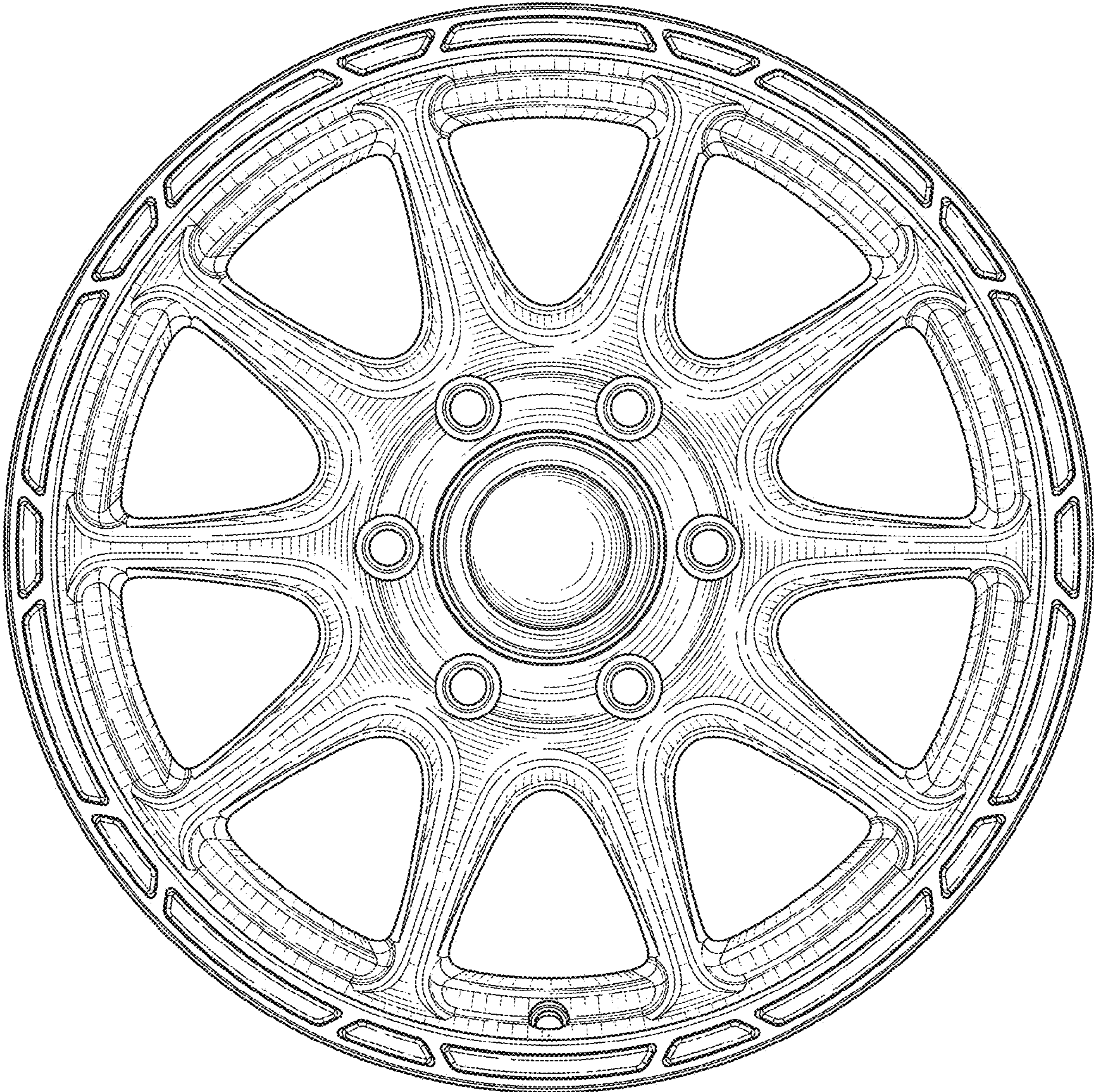


FIG. 2