



US00D984945S

(12) **United States Design Patent** (10) **Patent No.:** **US D984,945 S**
Lanini (45) **Date of Patent:** **** May 2, 2023**

(54) **VEHICLE STEP BAR**

(71) Applicant: **Westin Automotive Products, Inc.**,
San Dimas, CA (US)
(72) Inventor: **Jeremy Lanini**, Alta Loma, CA (US)
(73) Assignee: **Westin Automotive Products, Inc.**,
San Dimas, CA (US)
(**) Term: **15 Years**

(21) Appl. No.: **29/811,460**

(22) Filed: **Oct. 14, 2021**

(51) **LOC (14) Cl.** **12-16**

(52) **U.S. Cl.**
USPC **D12/203**

(58) **Field of Classification Search**
USPC D12/203, 89, 98, 314, 162, 190, 196
CPC .. B60R 3/00; B60R 3/02; B60R 3/002; B60R
3/005; B60R 3/007
See application file for complete search history.

(56) **References Cited**

U.S. PATENT DOCUMENTS

D340,905 S *	11/1993	Orth, Sr.	D12/203
D568,222 S *	5/2008	Storer	D12/203
D665,713 S *	8/2012	Pochurek	D12/203
D671,874 S *	12/2012	Kekich, Jr.	D12/203
8,448,968 B1 *	5/2013	Grote	B60R 3/002 280/169
8,641,068 B1 *	2/2014	Bundy	B60R 3/002 280/163
D731,384 S *	6/2015	Farr	D12/203
D737,188 S *	8/2015	Perkins	D12/203
D739,322 S *	9/2015	Villareal	D12/203
D757,622 S *	5/2016	Wolf	D12/203
D809,446 S *	2/2018	Montoya	D12/203
D824,830 S *	8/2018	Wolf	D12/203
D829,626 S *	10/2018	Tang	D12/203
D842,791 S *	3/2019	Zhu	D12/203
D847,716 S *	5/2019	Kim	D12/203

(Continued)

OTHER PUBLICATIONS

Westin 20-13835 Black Outlaw Drop Nerf Step Bars fits 2010-2017 4Runner Trail 2014-2022 4Runner SR5 TRD or TRD Pro 1 Pair; Jun. 2, 2022; <https://www.amazon.com/Westin-20-13835-2010-2017-4Runner-2014-2022/dp/B0B32XRKNK>; 6Pgs. (Year: 2022).*

Primary Examiner — Michelle E. Wilson

Assistant Examiner — Clese Moore, Jr.

(74) *Attorney, Agent, or Firm* — The Dobrusin Law Firm, PC

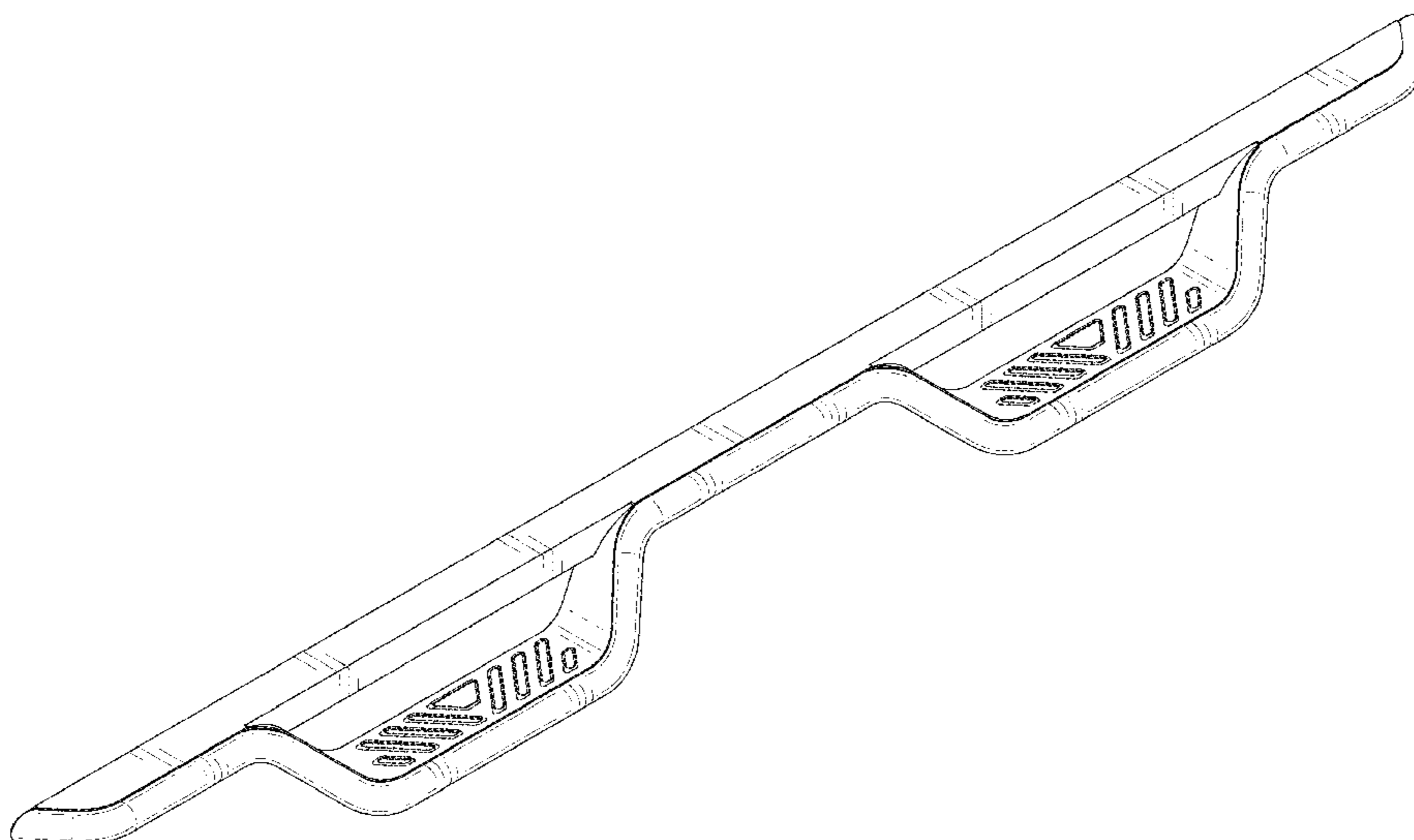
(57) **CLAIM**

The ornamental design for a vehicle step bar, as shown and described.

DESCRIPTION

FIG. 1 is a front perspective view of the vehicle step bar of the present invention;
FIG. 2 is a rear perspective view of the vehicle step bar shown in FIG. 1;
FIG. 3 is a top view of the vehicle step bar shown in FIG. 1;
FIG. 4 is a bottom view of the vehicle step bar shown in FIG. 1;
FIG. 5 is a front view of the vehicle step bar shown in FIG. 1;
FIG. 6 is a rear view of the vehicle step bar shown in FIG. 1;
FIG. 7 is one side of the vehicle step bar shown in FIG. 1; and,
FIG. 8 is a view of the opposite side of the vehicle step bar shown in FIG. 7.
The ornamental design which is claimed is shown in the solid lines in the drawings. The broken lines shown in the drawings are for the purpose of illustrating environmental structure and form no part of the claimed design.

1 Claim, 4 Drawing Sheets



(56)

References Cited

U.S. PATENT DOCUMENTS

D855,531 S *	8/2019	Hodges	D12/203
D856,244 S *	8/2019	Hodges	D12/203
D864,068 S *	10/2019	Fichter	D12/203
D864,069 S *	10/2019	Fichter	D12/203
D868,661 S *	12/2019	Li	D12/203
D886,019 S *	6/2020	Zhang	D12/203
D886,702 S *	6/2020	Guo	D12/203
2013/0221632 A1 *	8/2013	Higgs	B60R 3/00
			280/169
2015/0091270 A1 *	4/2015	Stanesic	G06T 1/20
			29/469
2016/0059774 A1 *	3/2016	Crandall	B60Q 1/323
			29/428
2019/0054860 A1 *	2/2019	Yang	B60R 3/002

* cited by examiner

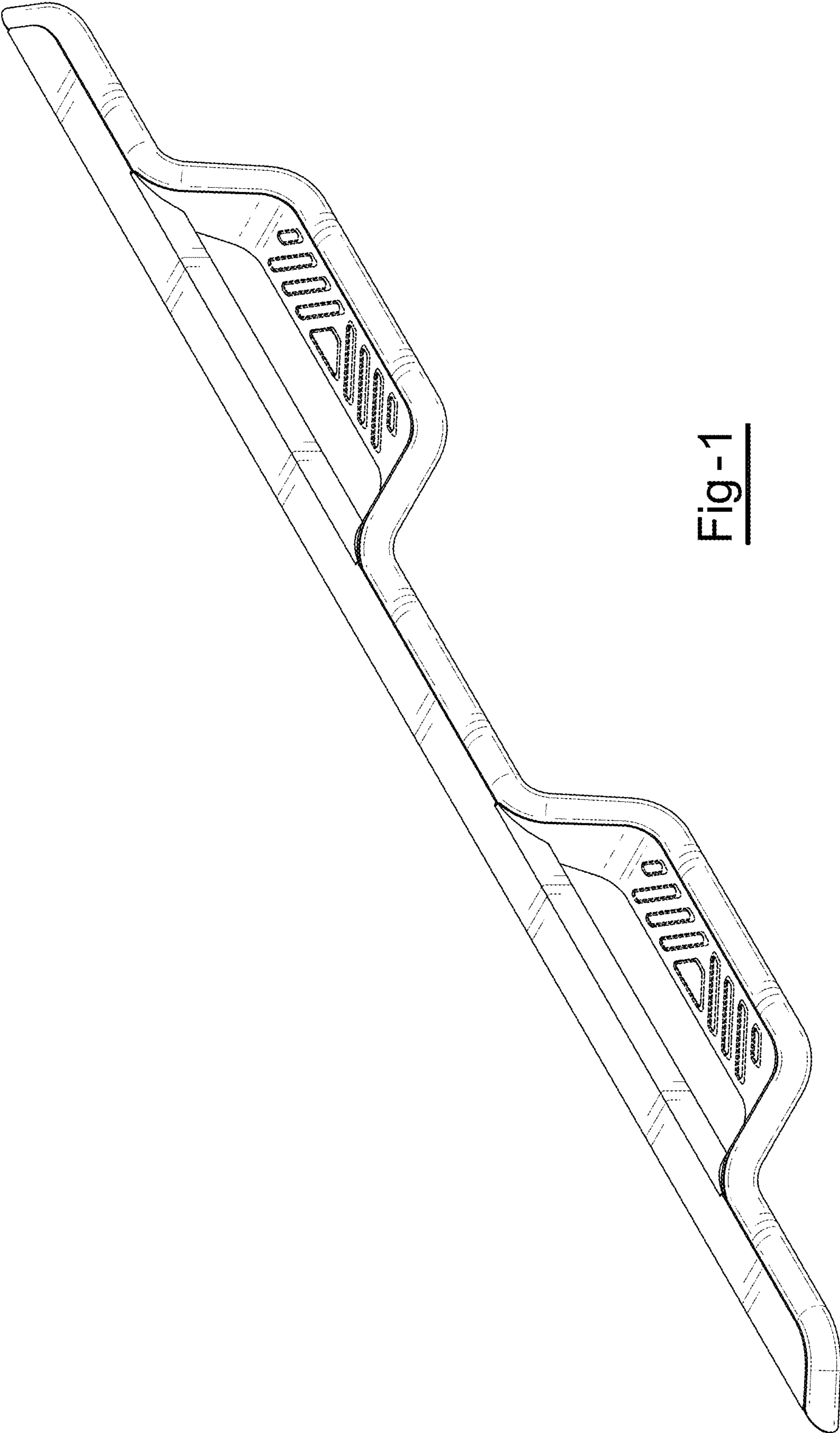


Fig-1

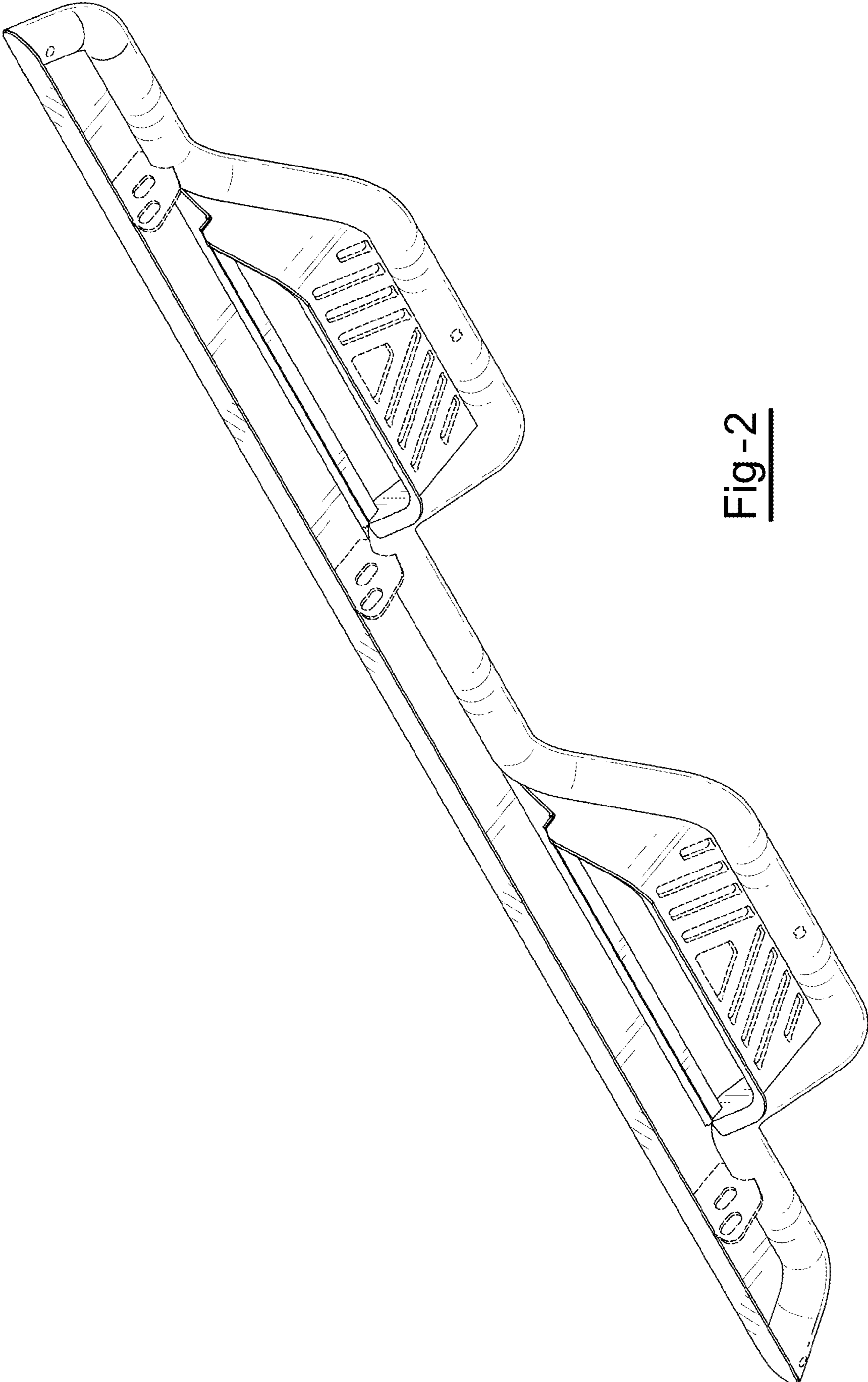


Fig-2

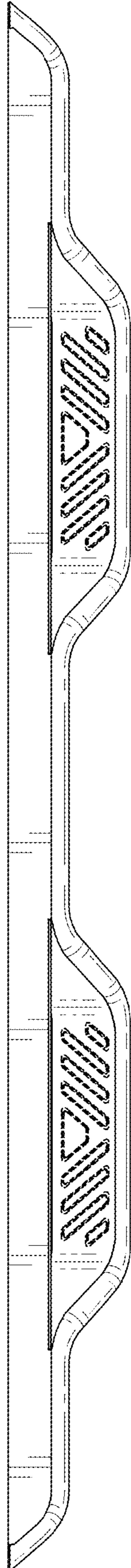


Fig-3

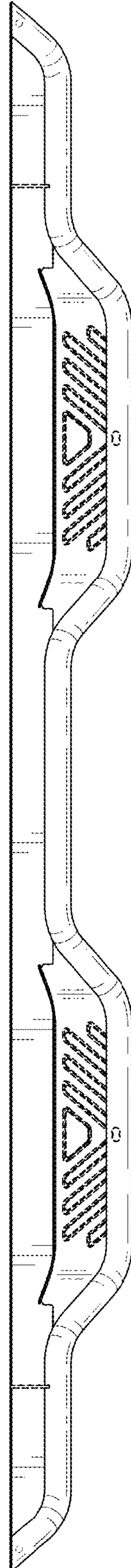


Fig-4

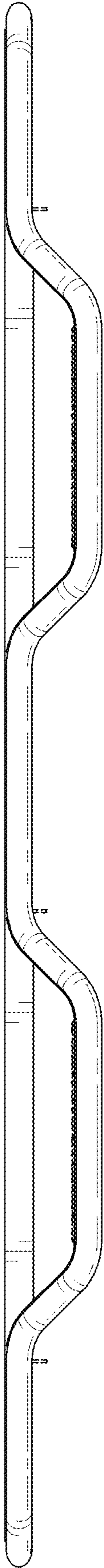


Fig-5

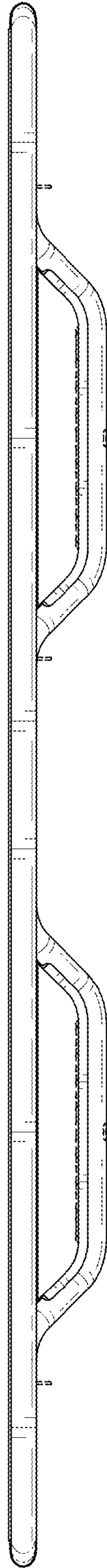


Fig-6

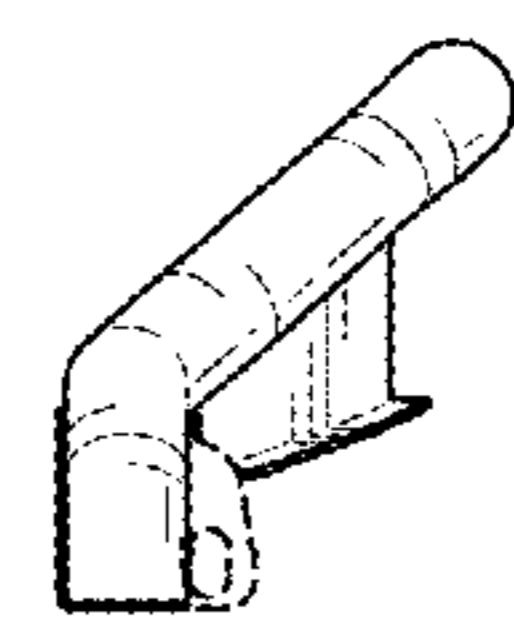


Fig-7

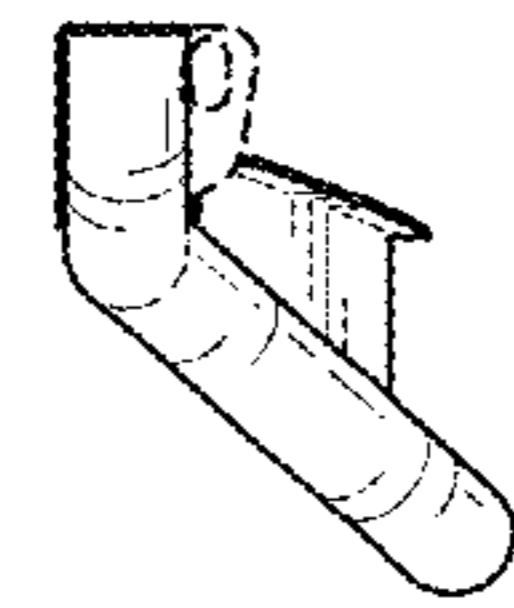


Fig-8