



US00D984943S

(12) **United States Design Patent** (10) **Patent No.:** **US D984,943 S**  
**Choi et al.** (45) **Date of Patent:** **\*\* May 2, 2023**

(54) **REAR DOOR PANEL FOR VEHICLES**

(56) **References Cited**

(71) Applicants: **HYUNDAI MOTOR COMPANY**,  
Seoul (KR); **KIA CORPORATION**,  
Seoul (KR)

U.S. PATENT DOCUMENTS

(72) Inventors: **Seung-II Choi**, Seoul (KR); **Ki-Euk Kim**, Hwaseong-si (KR)

D573,522 S *	7/2008	Sato .....	D12/196
D655,656 S *	3/2012	Kubo .....	D12/196
D660,759 S *	5/2012	Matsumoto .....	D12/196
D671,471 S *	11/2012	Yamada .....	D12/196
D695,664 S *	12/2013	Suga .....	D12/196
D699,657 S *	2/2014	Jevremovic .....	D12/196
D784,888 S *	4/2017	Lim .....	D12/196
D787,402 S *	5/2017	Luk .....	D12/196
D822,569 S *	7/2018	Choi .....	D12/196
D832,171 S *	10/2018	Jung .....	D12/196
D875,634 S *	2/2020	Lim .....	D12/196
D930,545 S *	9/2021	Lee .....	D12/196
D947,735 S *	4/2022	Kim .....	D12/196

(73) Assignees: **Hyundai Motor Company**, Seoul (KR); **Kia Corporation**, Seoul (KR)

(\*\*) Term: **15 Years**

\* cited by examiner

(21) Appl. No.: **35/513,615**

(22) Filed: **Jan. 19, 2022**

*Primary Examiner* — Cary M Robinson

(80) **Hague Agreement Data**

Int. Filing Date: **Jan. 19, 2022**

Int. Reg. No.: **DM/218657**

Int. Reg. Date: **Jan. 19, 2022**

Int. Reg. Pub. Date: **Feb. 11, 2022**

*Assistant Examiner* — Adam C Mager

(74) *Attorney, Agent, or Firm* — Fox Rothschild LLP

(57) **CLAIM**

The ornamental design for a rear door panel for vehicles, as shown and described.

(30) **Foreign Application Priority Data**

Sep. 29, 2021 (KR) ..... 30-2021-0046042

(51) **LOC (14) Cl.** ..... **12-16**

(52) **U.S. Cl.**  
USPC ..... **D12/196**

(58) **Field of Classification Search**  
USPC ... D12/1, 12, 13, 14, 15, 82, 84, 85, 86, 87, D12/88, 89, 90, 91, 92, 93, 94, 96, 97, D12/98, 99, 100, 181, 184, 190, 192, 195, D12/196; D21/533, 548, 552, 561  
CPC ..... B60J 5/00; B60J 5/04; B60J 5/0412; B60J 5/0425; B60J 5/0437; B60J 5/0441; B60J 5/0444; B60J 5/0447; B60J 5/0463; B60J 5/0469; B60J 5/0476; B60J 5/0483; B60J 5/0486; B62D 25/02; B62D 25/04; B62D 35/00

See application file for complete search history.

**DESCRIPTION**

1. Rear door panel for vehicles

1.1 : Perspective

1.2 : Front

1.3 : Back

1.4 : Right

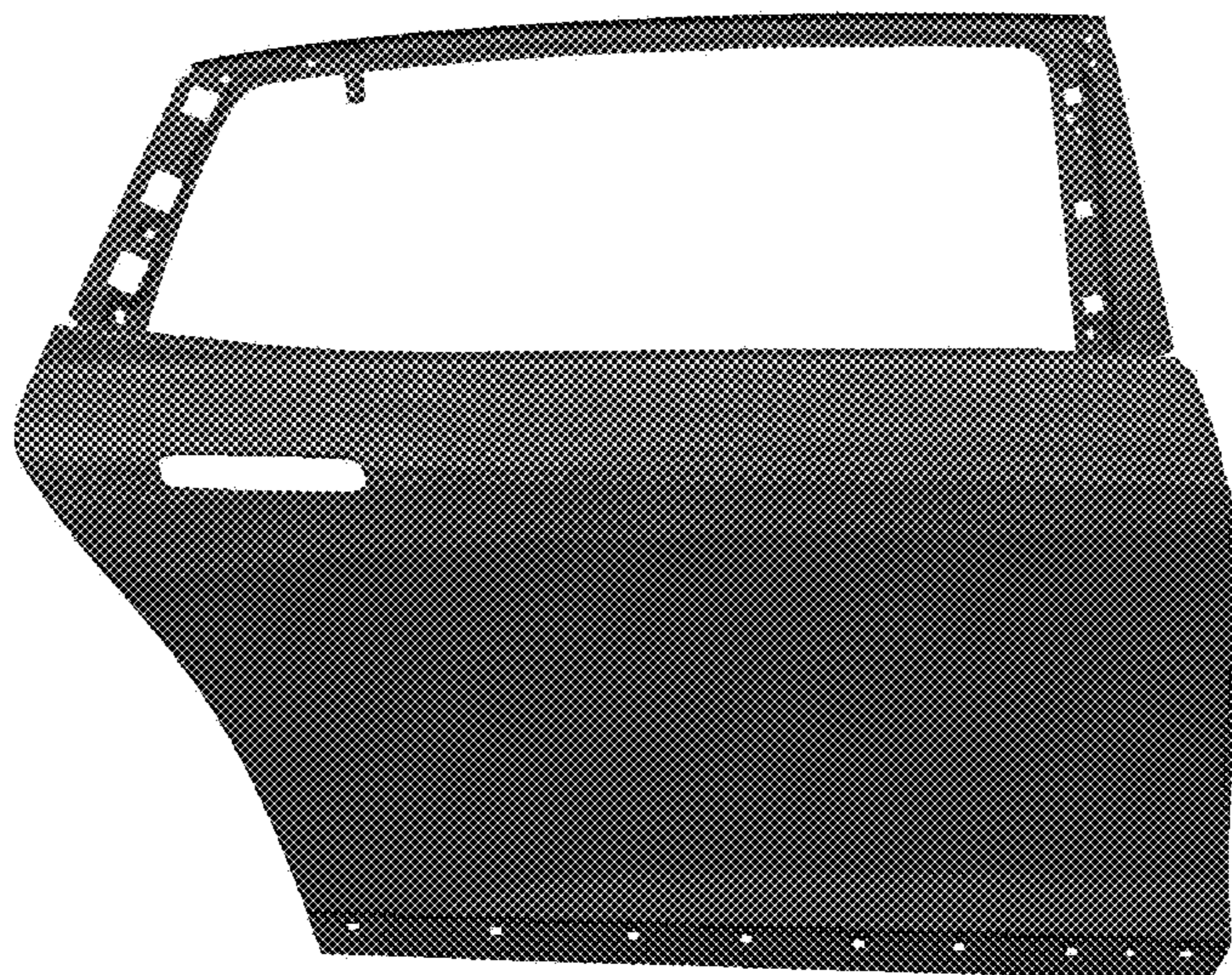
1.5 : Left

1.6 : Top

1.7 : Bottom

1.1 is a top, front, and right side perspective view of a rear door panel for vehicles embodying our new design; 1.2 is a front elevation view thereof; 1.3 is a rear elevation view thereof; 1.4 is a right side elevation view thereof; 1.5 is a left side elevation view thereof; 1.6 is a top plan view thereof; and 1.7 is a bottom plan view thereof.

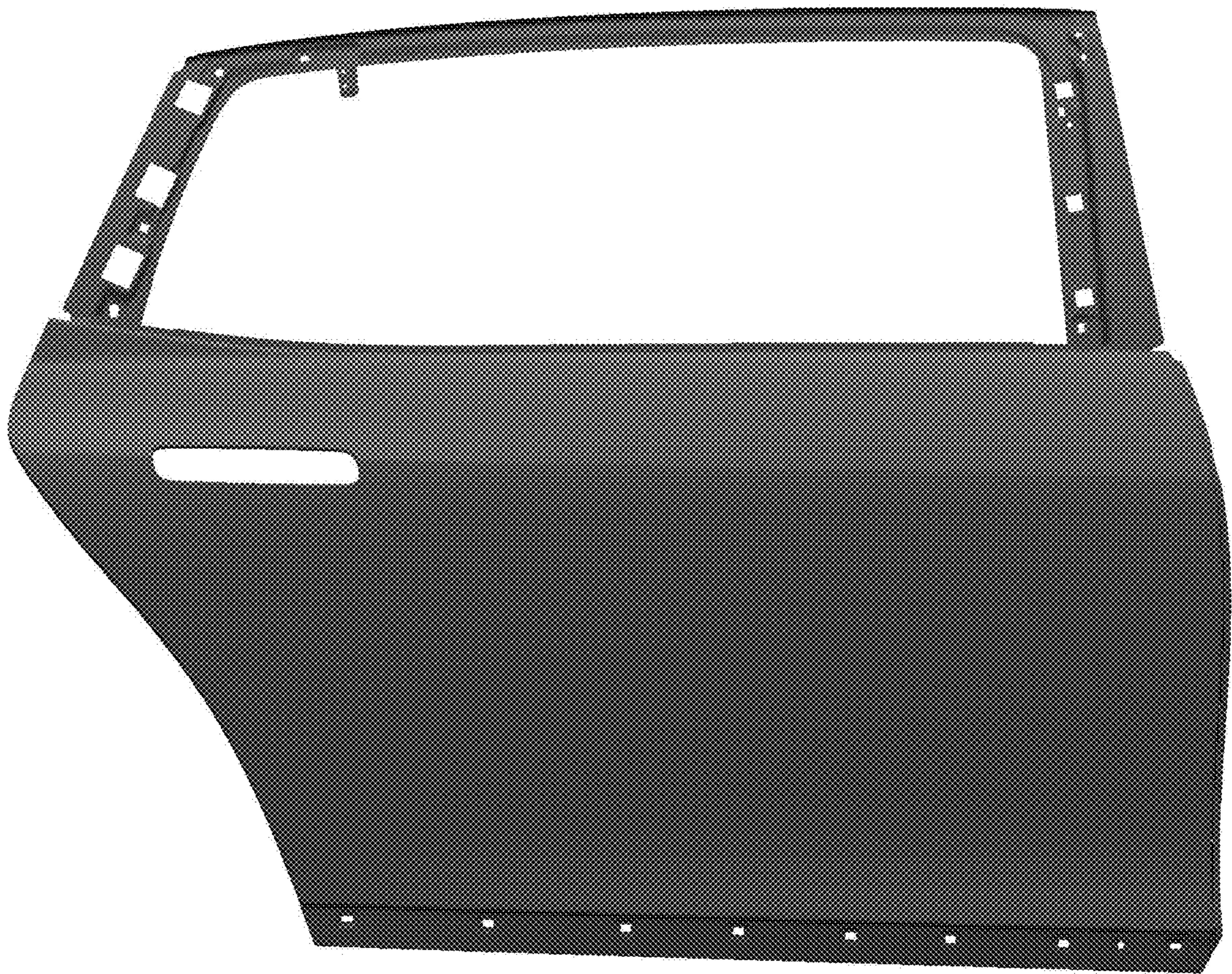
**1 Claim, 7 Drawing Sheets**



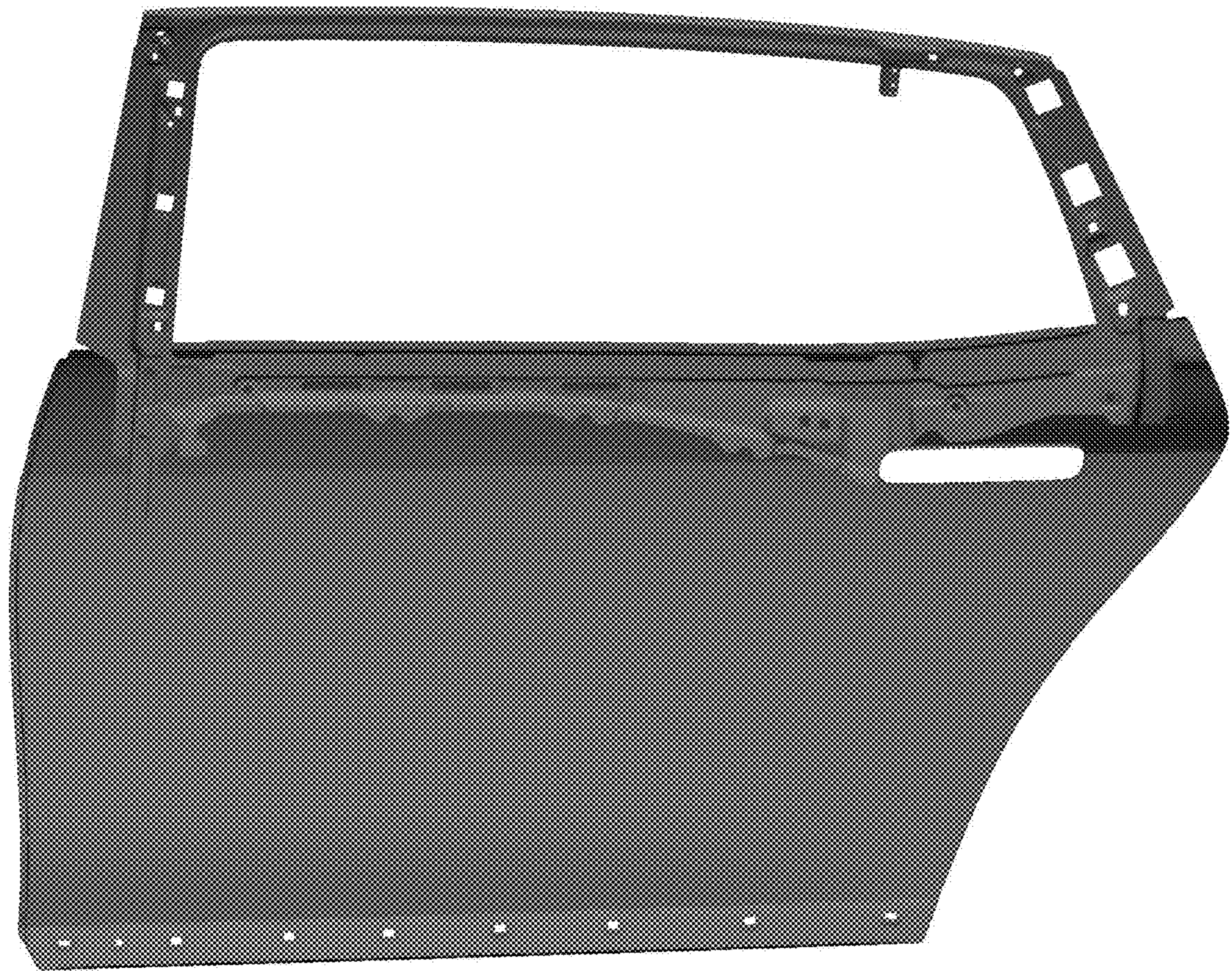
1.1



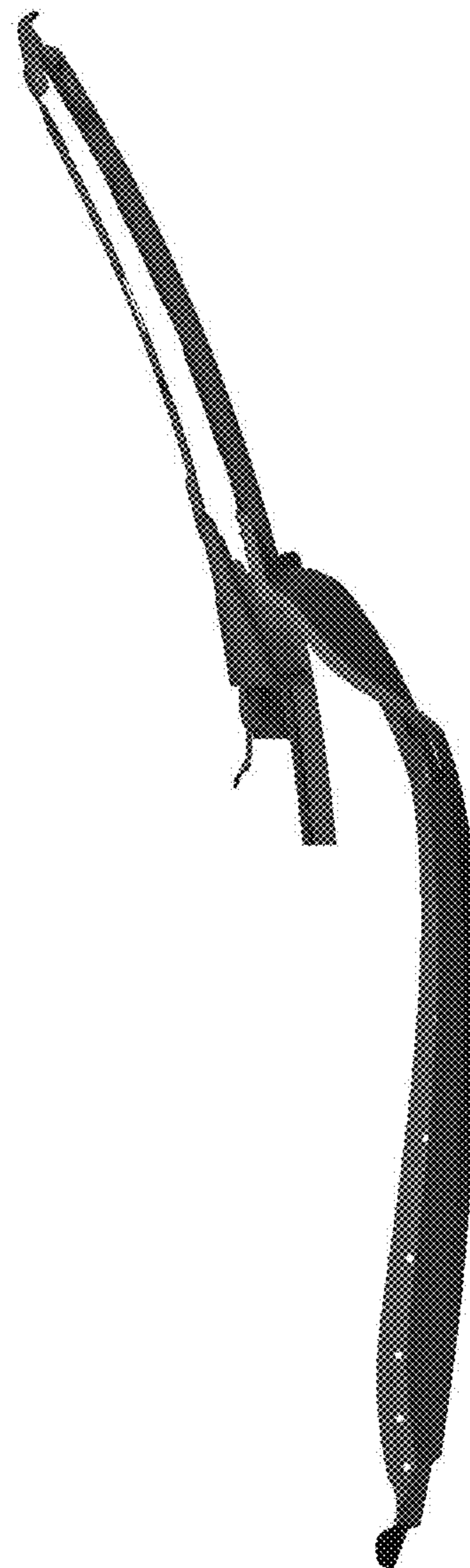
1.2



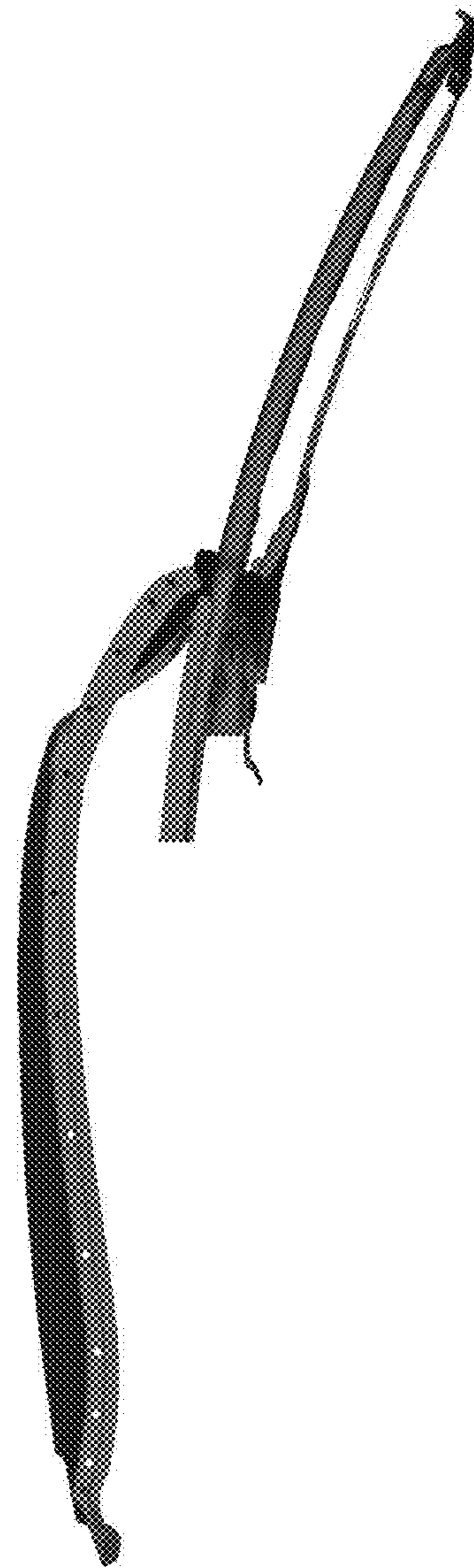
1.3



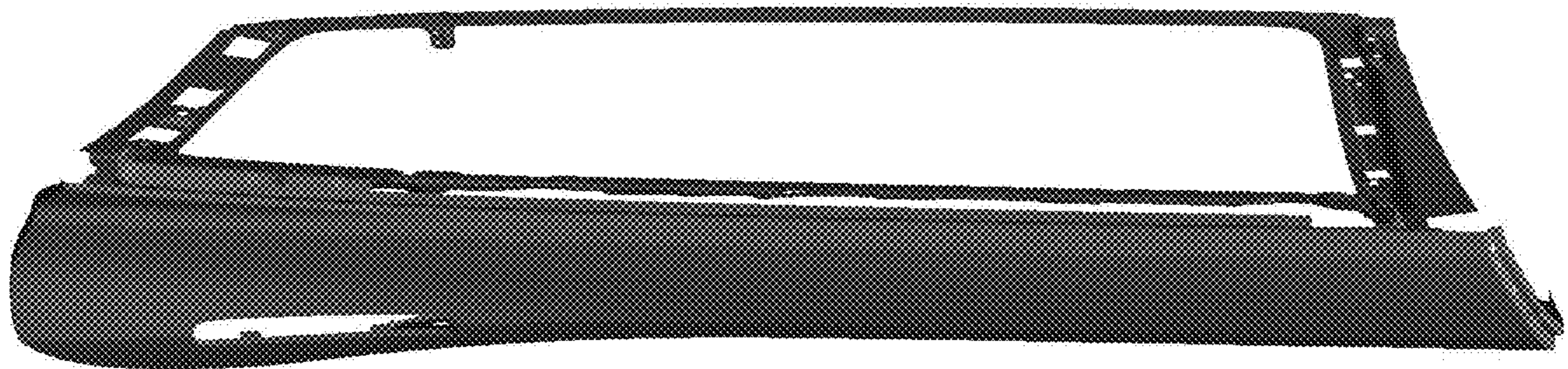
1.4



1.5



1.6



1.7

