



US00D984941S

(12) **United States Design Patent**  
**Lee et al.**

(10) **Patent No.:** **US D984,941 S**

(45) **Date of Patent:** **\*\* May 2, 2023**

(54) **TAILGATE PANEL FOR AN AUTOMOBILE**

25/02; B62D 25/04; B62D 25/08; B62D  
25/087; B62D 25/10; B62D 25/105;  
B62D 35/00

(71) Applicants: **Hyundai Motor Company**, Seoul  
(KR); **Kia Corporation**, Seoul (KR)

See application file for complete search history.

(72) Inventors: **Geon Hee Lee**, Seoul (KR); **Myung  
Jin Jung**, Hwaseong-si (KR)

(56) **References Cited**

(73) Assignees: **Hyundai Motor Company**, Seoul  
(KR); **Kia Corporation**, Seoul (KR)

U.S. PATENT DOCUMENTS

(\*\*) Term: **15 Years**

D699,656	S	*	2/2014	Watabe	.....	D12/196
D764,995	S	*	8/2016	Bucher	.....	D12/196
D823,761	S	*	7/2018	Luk	.....	D12/196
D833,357	S	*	11/2018	Kim	.....	D12/196
D859,251	S	*	9/2019	Bucher	.....	D12/196
D867,251	S	*	11/2019	Sarreméjean	.....	D12/196
D873,193	S	*	1/2020	Thogersen	.....	D12/196
D883,885	S	*	5/2020	Metros	.....	D12/196
D890,669	S	*	7/2020	Lim	.....	D12/196
D893,377	S	*	8/2020	Kim	.....	D12/196
D915,971	S	*	4/2021	Jung	.....	D12/196
D947,737	S	*	4/2022	Yun	.....	D12/196
D951,840	S	*	5/2022	Cho	.....	D12/196

(21) Appl. No.: **35/513,584**

(22) Filed: **Aug. 11, 2021**

(80) **Hague Agreement Data**

Int. Filing Date: **Aug. 11, 2021**

Int. Reg. No.: **DM/215882**

Int. Reg. Date: **Aug. 11, 2021**

Int. Reg. Pub. Date: **Feb. 11, 2022**

\* cited by examiner

*Primary Examiner* — Cary M Robinson

*Assistant Examiner* — Adam C Mager

(74) *Attorney, Agent, or Firm* — Fox Rothschild LLP

(30) **Foreign Application Priority Data**

Feb. 22, 2021 (KR) ..... 30-2021-0008807

(51) **LOC (14) Cl.** ..... **12-16**

(52) **U.S. Cl.**  
USPC ..... **D12/196**

(58) **Field of Classification Search**

USPC ..... D12/82, 83, 84, 85, 86, 88, 89, 90, 91,  
D12/92, 93, 94, 96, 97, 98, 99, 181, 190,  
D12/195, 196; D21/533, 548, 552, 561

CPC . B60J 5/00; B60J 5/0412; B60J 5/0413; B60J  
5/0437; B60J 5/0441; B60J 5/0444; B60J  
5/0447; B60J 5/0452; B60J 5/0463; B60J  
5/0469; B60J 5/0476; B60J 5/0483; B60J  
5/0486; B60J 5/10; B60J 5/101; B60J  
5/102; B60J 5/103; B60J 5/107; B62D

(57) **CLAIM**

The ornamental design for a tailgate panel for an automo-  
bile, as shown and described.

**DESCRIPTION**

1. Tailgate panel for an automobile

1.1 : Perspective

1.2 : Front

1.3 : Back

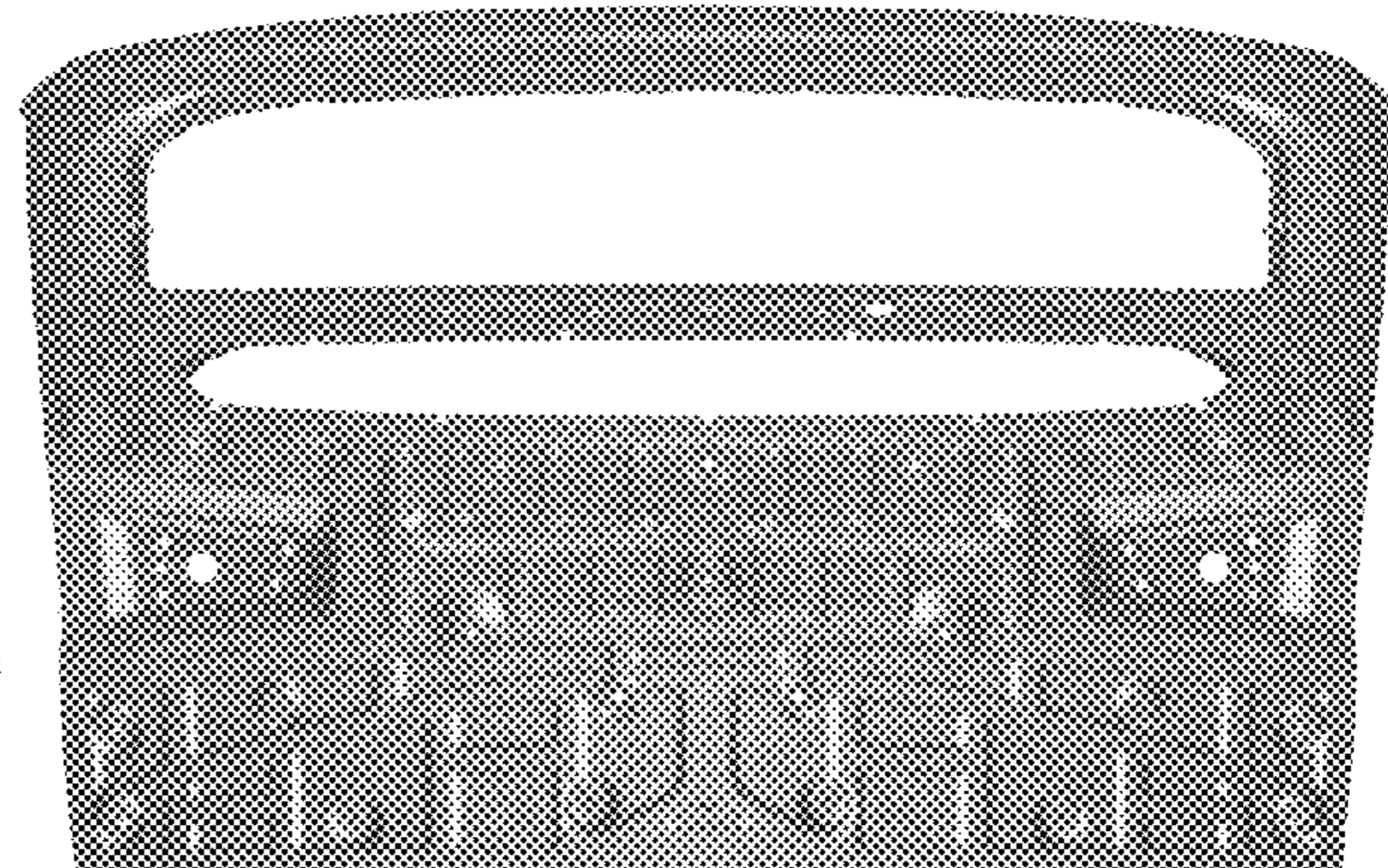
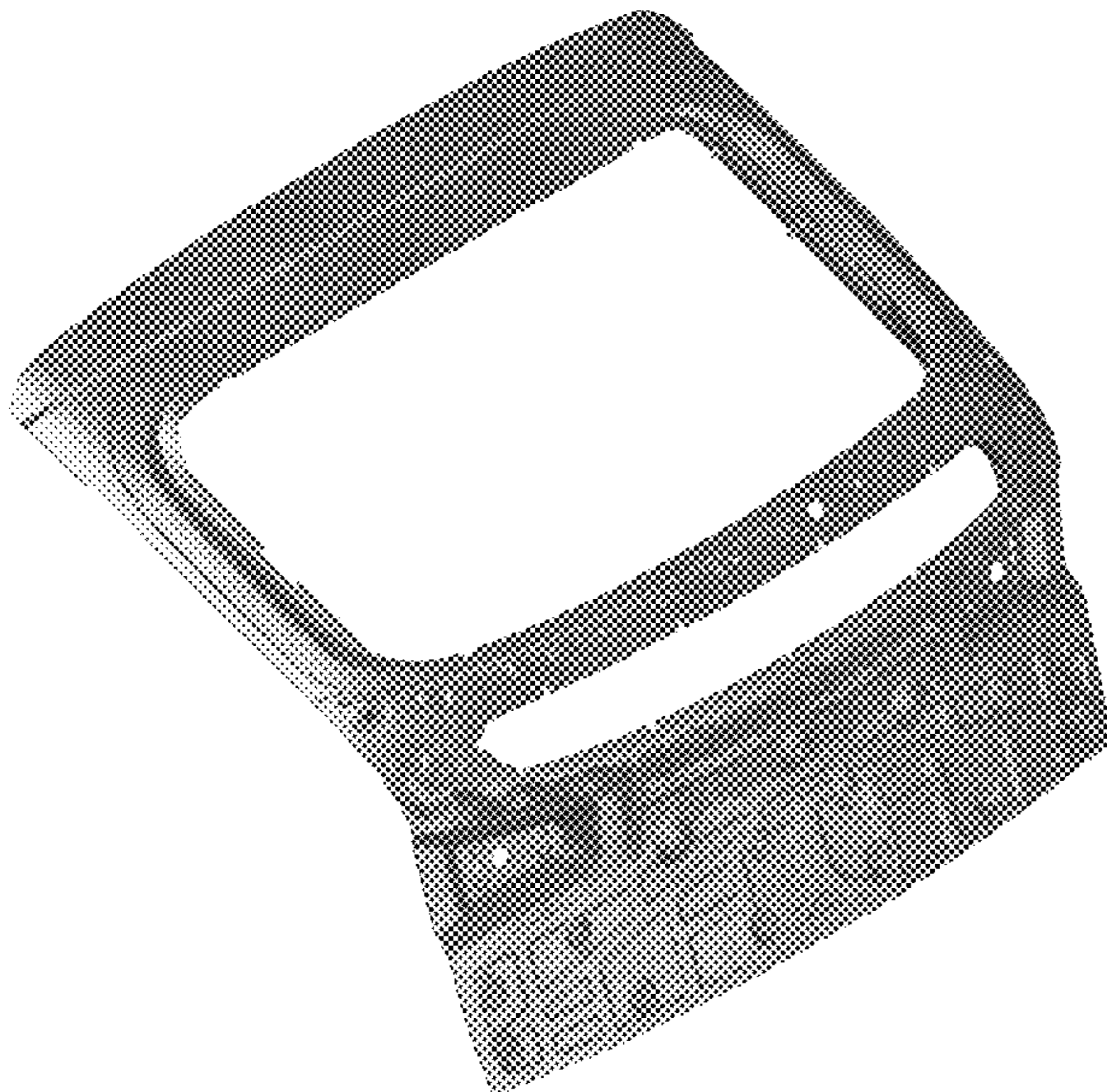
1.4 : Left

1.5 : Right

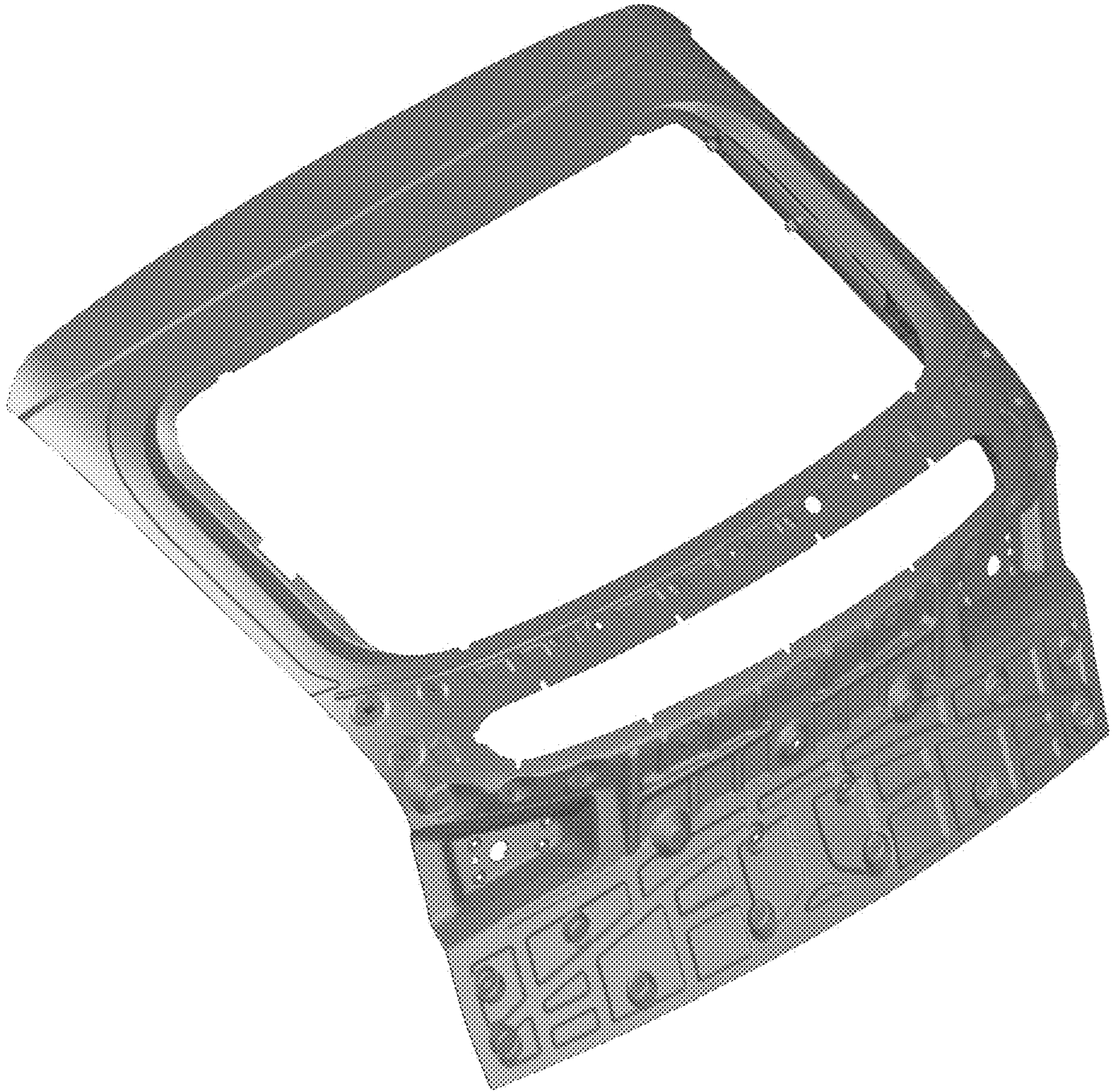
1.6 : Top

1.7 : Bottom

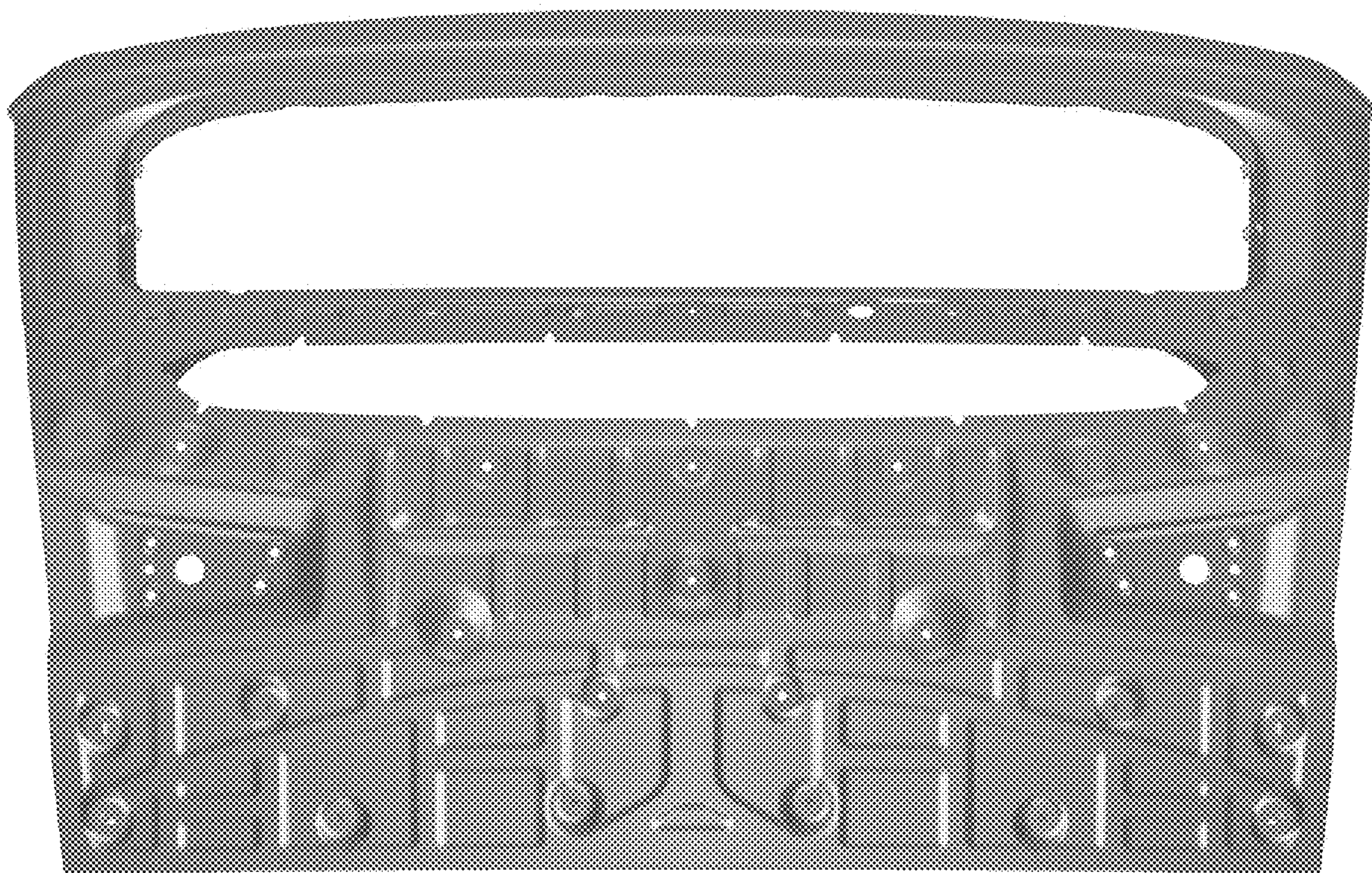
**1 Claim, 7 Drawing Sheets**



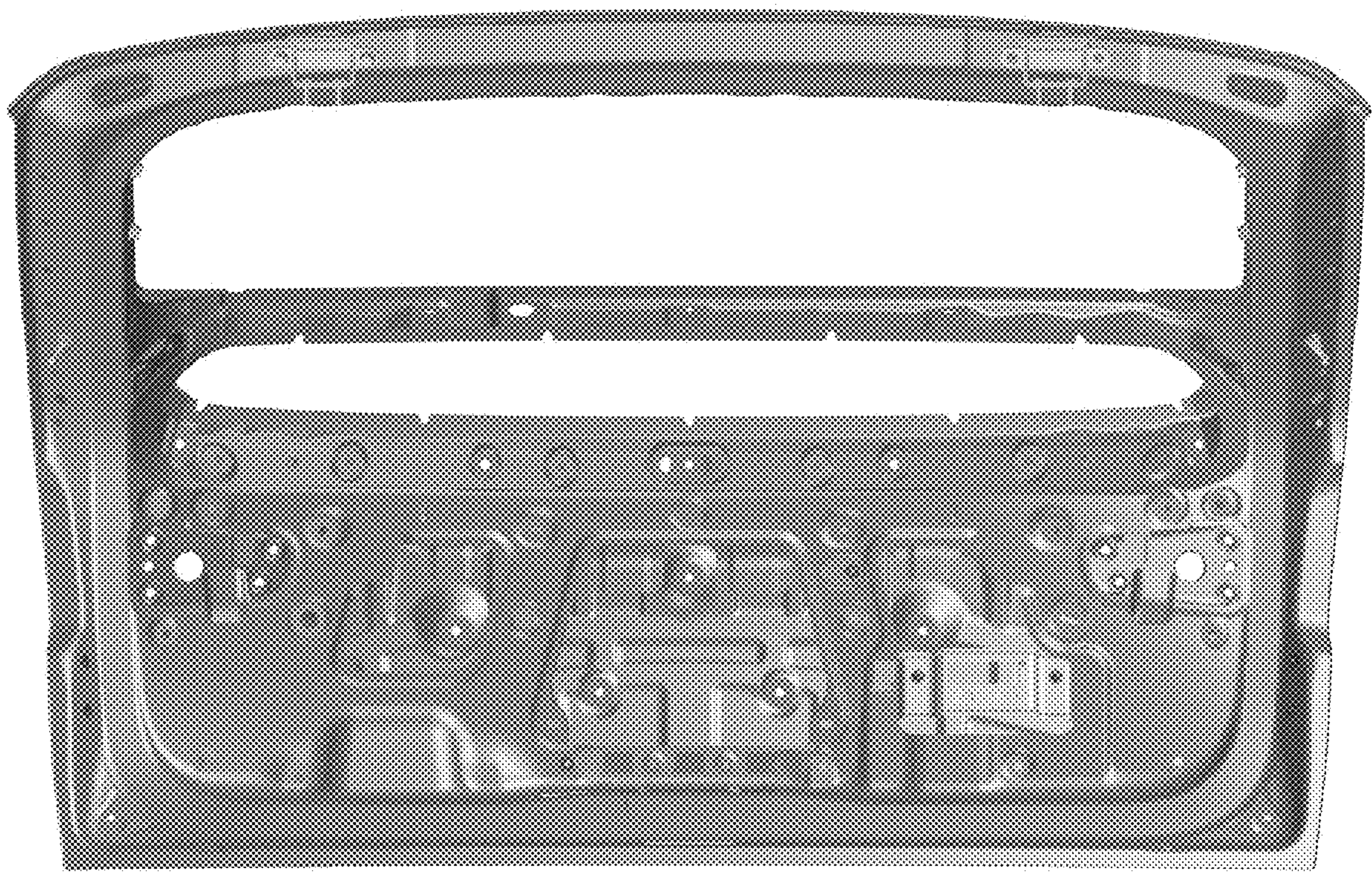
1.1



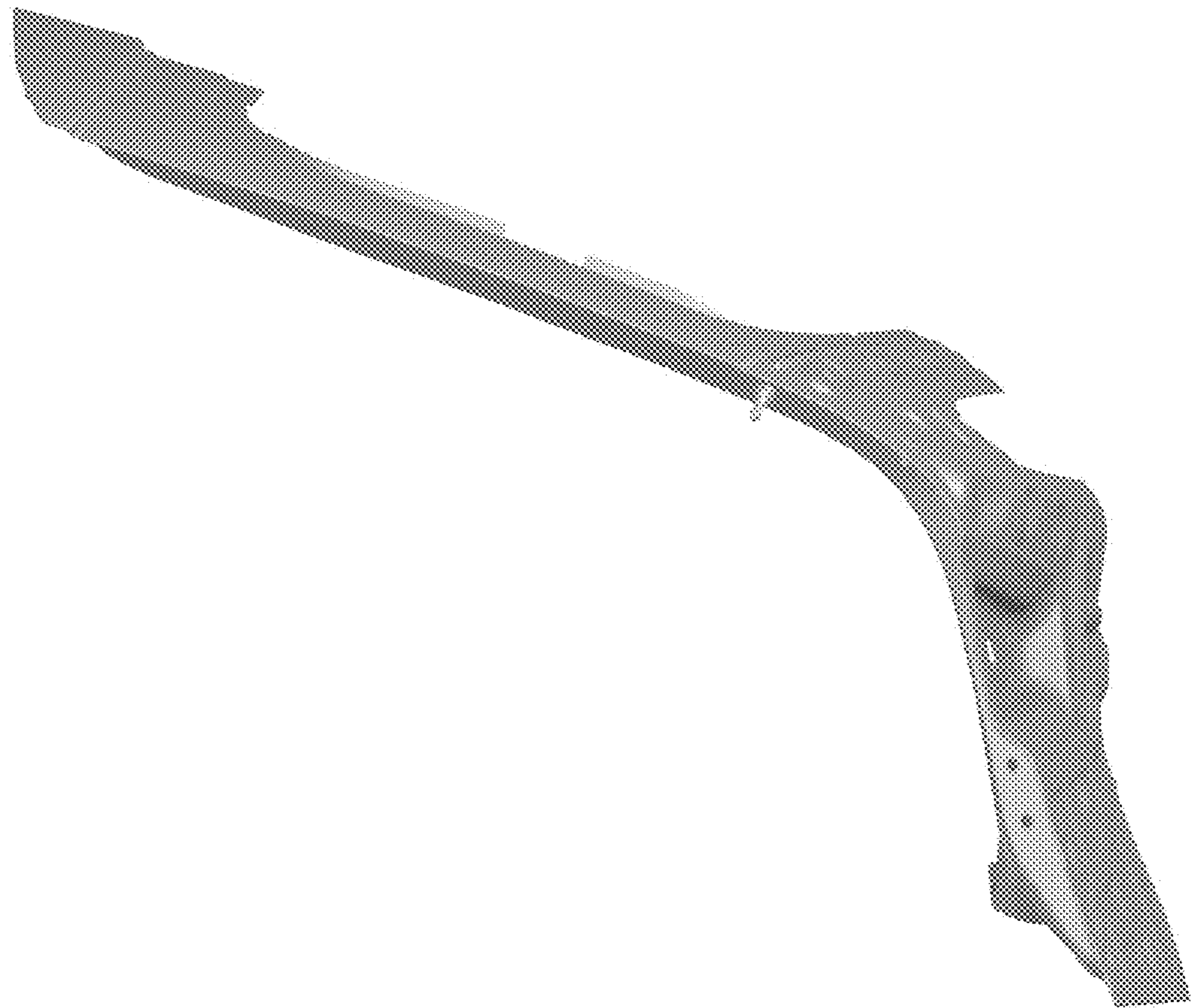
1.2



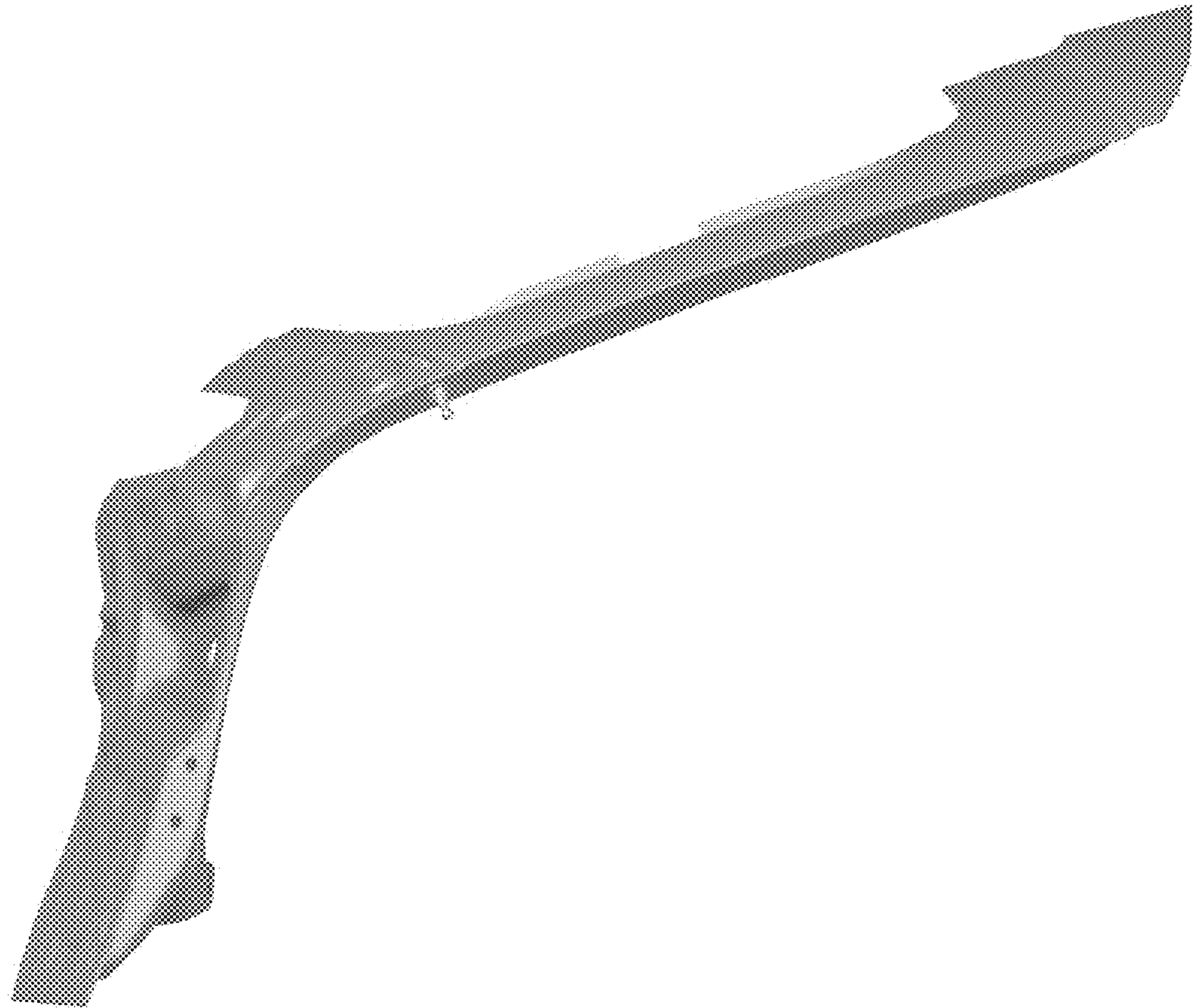
1.3



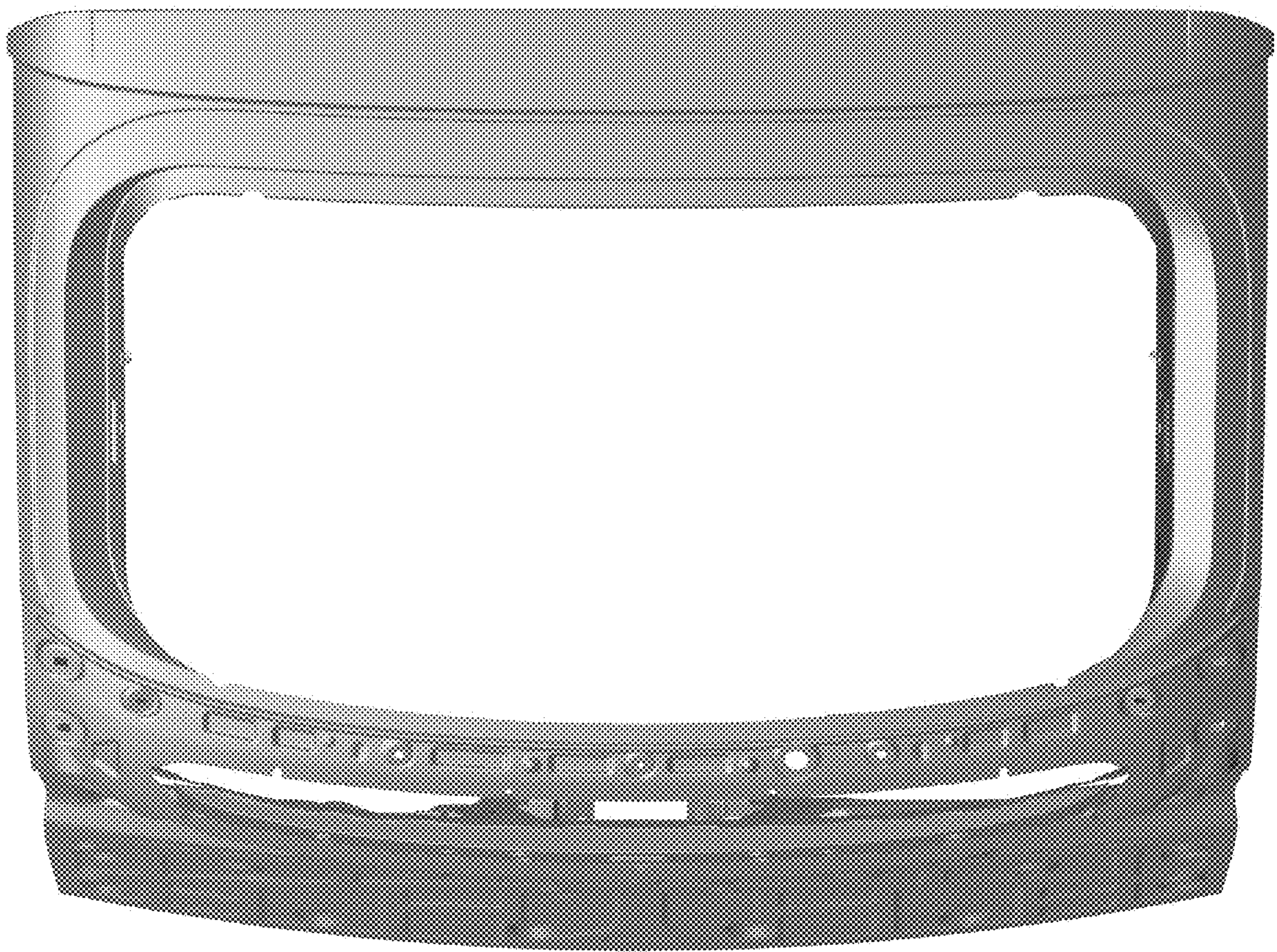
1.4



1.5



1.6



1.7

