



US00D984937S

(12) **United States Design Patent** (10) **Patent No.:** **US D984,937 S**  
**Burki** (45) **Date of Patent:** **\*\* May 2, 2023**

(54) **BODY PART FOR MOTOR VEHICLE**

(71) Applicant: **Dr. Ing. h.c. F. Porsche**  
**Aktiengesellschaft, Stuttgart (DE)**

(72) Inventor: **Emiel Burki, Stuttgart (DE)**

(73) Assignee: **Dr. Ing. h.c. F. Porsche**  
**Aktiengesellschaft**

(\*\*) Term: **15 Years**

(21) Appl. No.: **29/803,727**

(22) Filed: **Aug. 16, 2021**

(30) **Foreign Application Priority Data**

Feb. 17, 2021 (EM) ..... 008436406-0019  
Feb. 17, 2021 (EM) ..... 008436406-0020

(51) **LOC (14) Cl.** ..... **12-08**

(52) **U.S. Cl.**  
USPC ..... **D12/190**

(58) **Field of Classification Search**  
USPC ..... D12/82, 86, 91, 92, 93, 163, 172, 177,  
D12/181, 184, 190, 196, 199, 213, 218,  
D12/223, 400, 401, 404; D15/5;  
D21/548, 561  
CPC ..... B60R 13/00; B60R 13/04; B60R 13/043;  
B60R 13/0838; B60R 13/0869; B60R  
2011/004; B60R 2019/002; B62D 25/025;  
B62D 25/08; B62D 25/12; B62D 25/16;  
B62D 25/168; B62D 33/00; B62D 35/00;  
B62D 35/007; B62D 35/008; B62D 39/00  
See application file for complete search history.

(56) **References Cited**

**U.S. PATENT DOCUMENTS**

D299,637 S \* 1/1989 Wright-Brady ..... D12/167  
D406,910 S \* 3/1999 Bangle ..... D26/28

D478,854 S \* 8/2003 Platto ..... D12/196  
D817,243 S \* 5/2018 Anderson ..... D12/196  
D817,244 S \* 5/2018 Anderson ..... D12/196  
D833,342 S \* 11/2018 Anderson ..... D12/169  
D837,699 S \* 1/2019 Austin ..... D12/163

(Continued)

**OTHER PUBLICATIONS**

2022 Porsche Taycan Cross Turismo, Feb. 5, 2023, Youtube [online],  
[Site Visit Feb. 15, 2023], URL: [https://www.youtube.com/watch?v=QHI-cia\\_Ptk](https://www.youtube.com/watch?v=QHI-cia_Ptk) (Year: 2023) (Year: 2023).\*

(Continued)

*Primary Examiner* — Calvin E Vansant  
*Assistant Examiner* — Giang Hoang Tran  
(74) *Attorney, Agent, or Firm* — RatnerPrestia

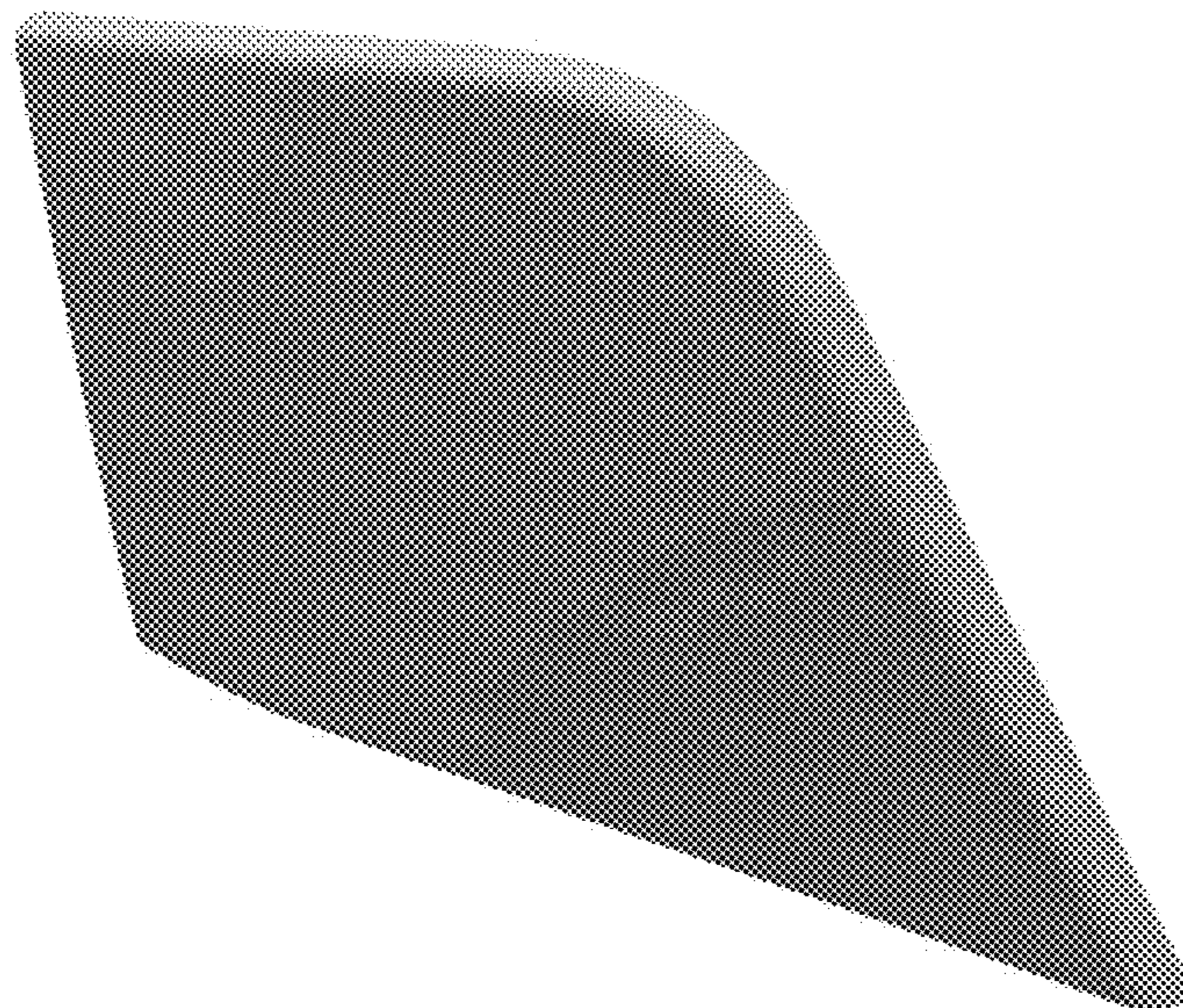
(57) **CLAIM**

The ornamental design for a body part for motor vehicle, as shown and described.

**DESCRIPTION**

FIG. 1 is a perspective view of a body part for motor vehicle according to a first embodiment showing my new design; FIG. 2 is a front view thereof; FIG. 3 is a rear view thereof; FIG. 4 is a right view thereof; FIG. 5 is a left view thereof; FIG. 6 is a top view thereof; and FIG. 7 is a bottom view thereof. FIG. 8 is a perspective view of a body part for motor vehicle according to a second embodiment showing my new design; FIG. 9 is a front view thereof; FIG. 10 is a rear view thereof; FIG. 11 is a right view thereof; FIG. 12 is a left view thereof; FIG. 13 is a top view thereof; and, FIG. 14 is a bottom view thereof.

**1 Claim, 14 Drawing Sheets**



(56)

**References Cited**

U.S. PATENT DOCUMENTS

D838,220 S \* 1/2019 Anderson ..... D12/196  
D880,028 S \* 3/2020 Tomasson ..... D26/28  
D893,780 S \* 8/2020 Jeong ..... D26/28  
D937,145 S \* 11/2021 Kaoud ..... D12/169  
D937,152 S \* 11/2021 Hamilton ..... D12/169  
D960,058 S \* 8/2022 Phan ..... D12/169  
D960,804 S \* 8/2022 Heilaneh ..... D12/196  
D966,164 S \* 10/2022 Beltran ..... D12/196  
D966,969 S \* 10/2022 Kaoud ..... D12/169  
D968,290 S \* 11/2022 Yeh ..... D12/190  
D970,409 S \* 11/2022 Polzin ..... D12/196

OTHER PUBLICATIONS

New Porsche Taycan Cross Turismo, Jan. 29, 2022, Youtube [online],  
[Site Visit Feb. 15, 2023], URL: <https://www.youtube.com/watch?v=enuOMcOXsNE> (Year: 2022) (Year: 2022).\*

\* cited by examiner

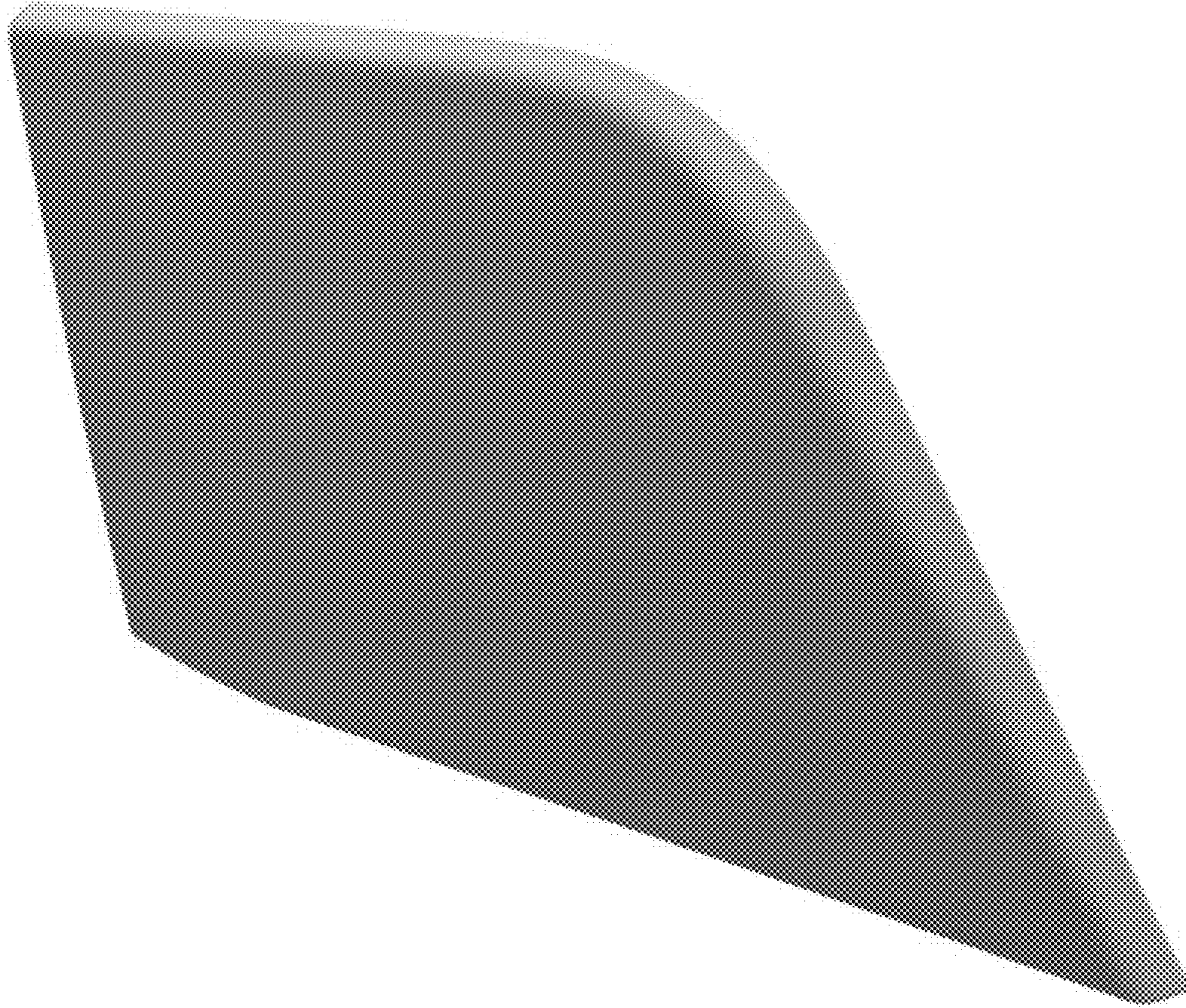


FIG. 1

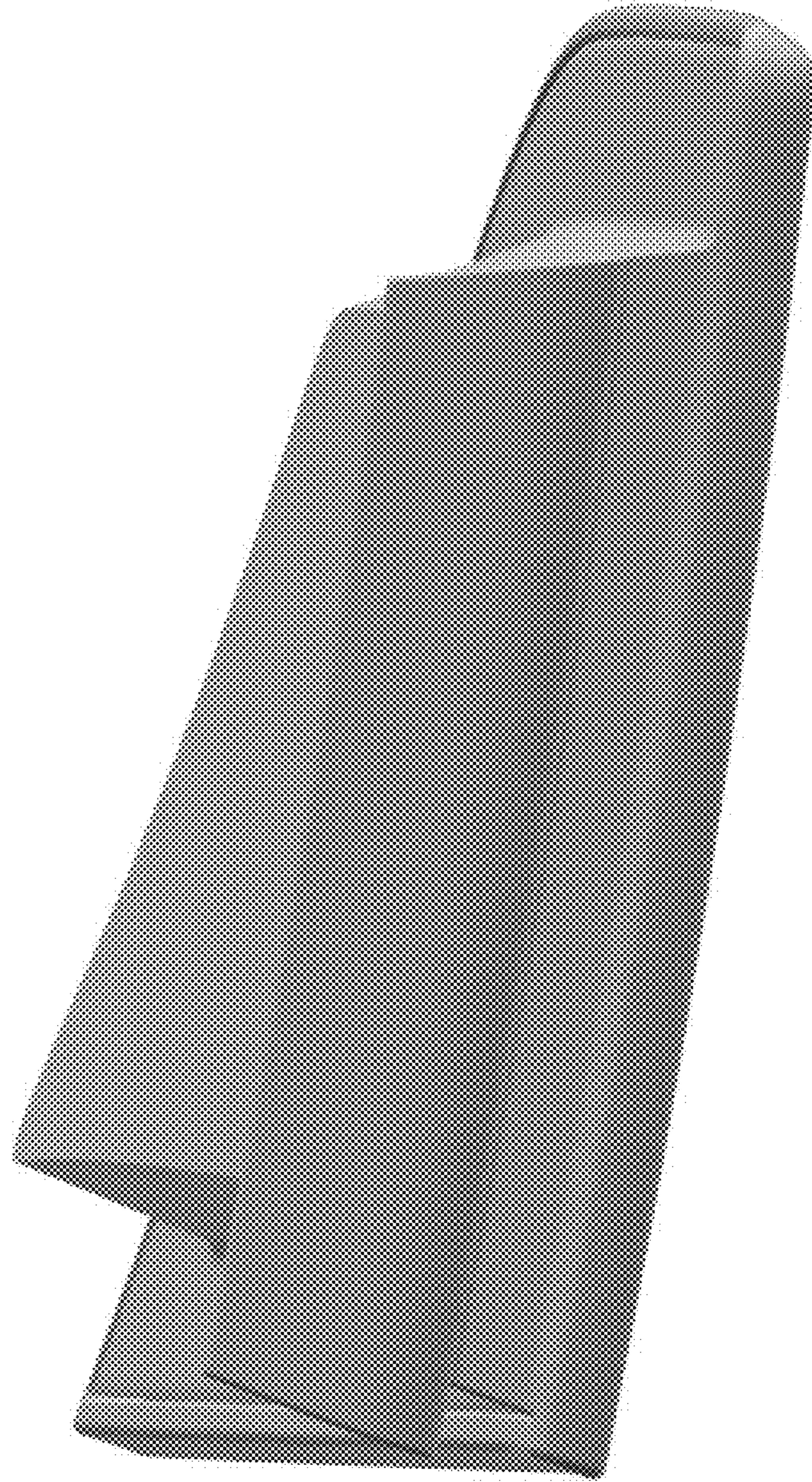


FIG. 2

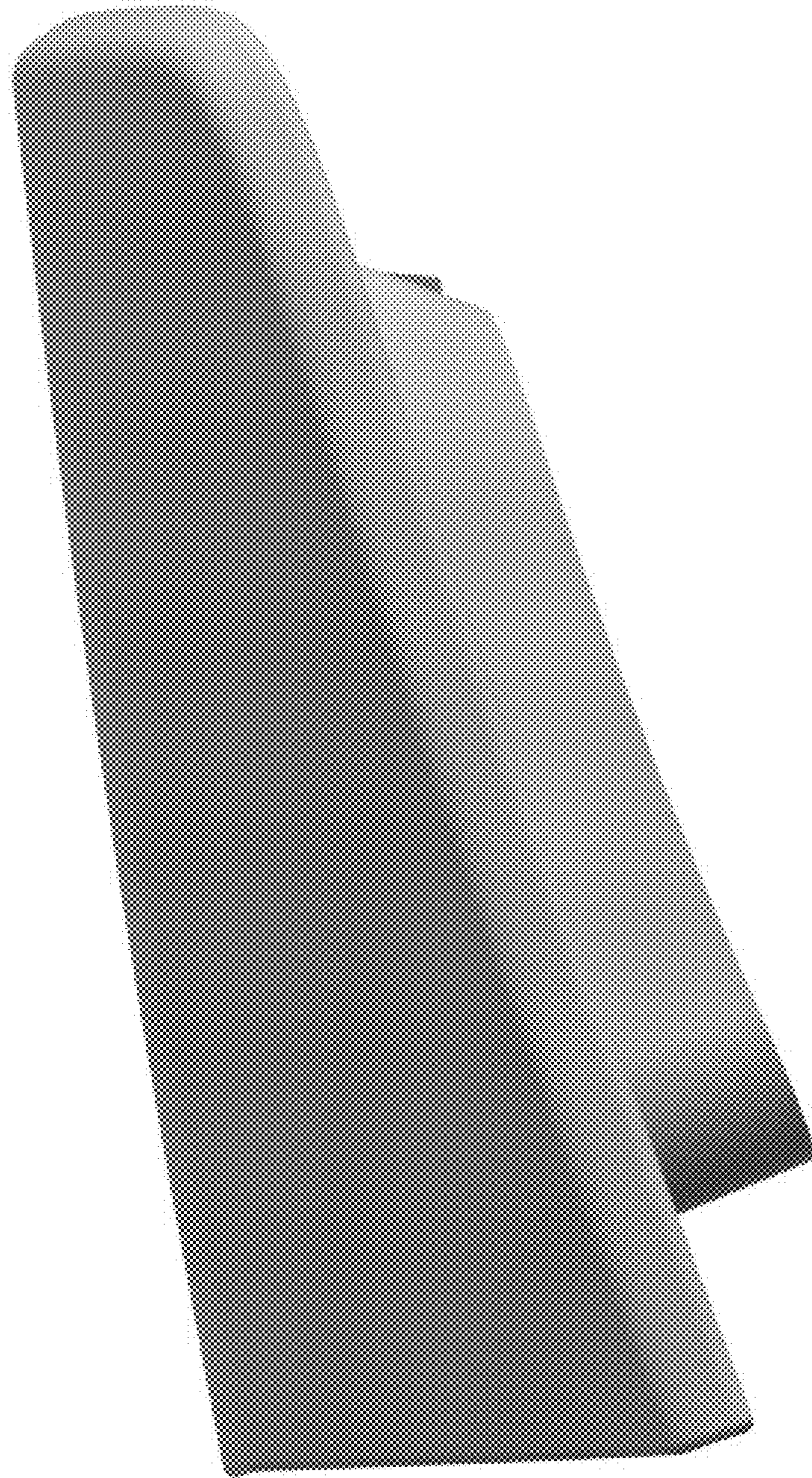


FIG. 3

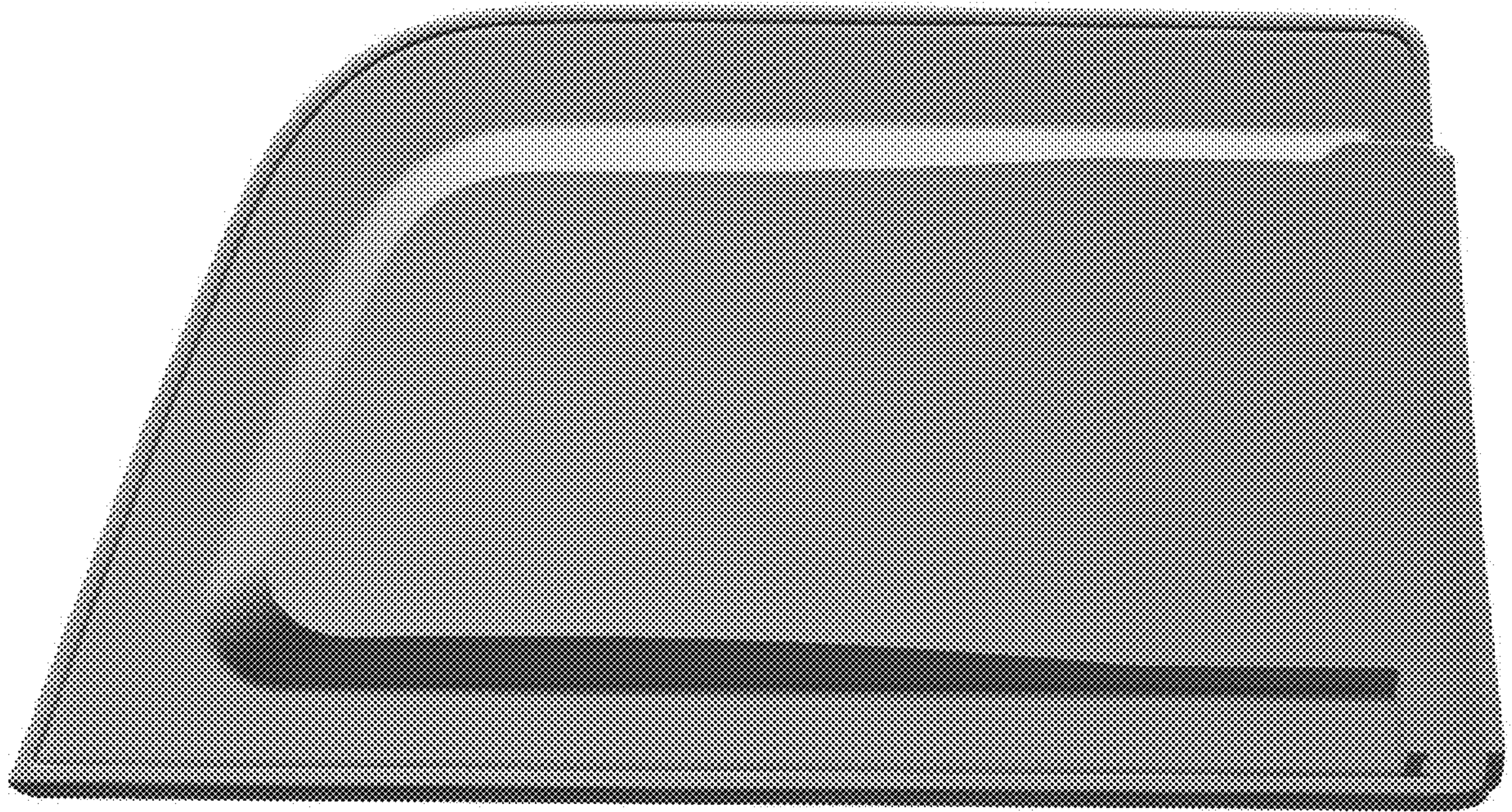


FIG. 4



FIG. 5

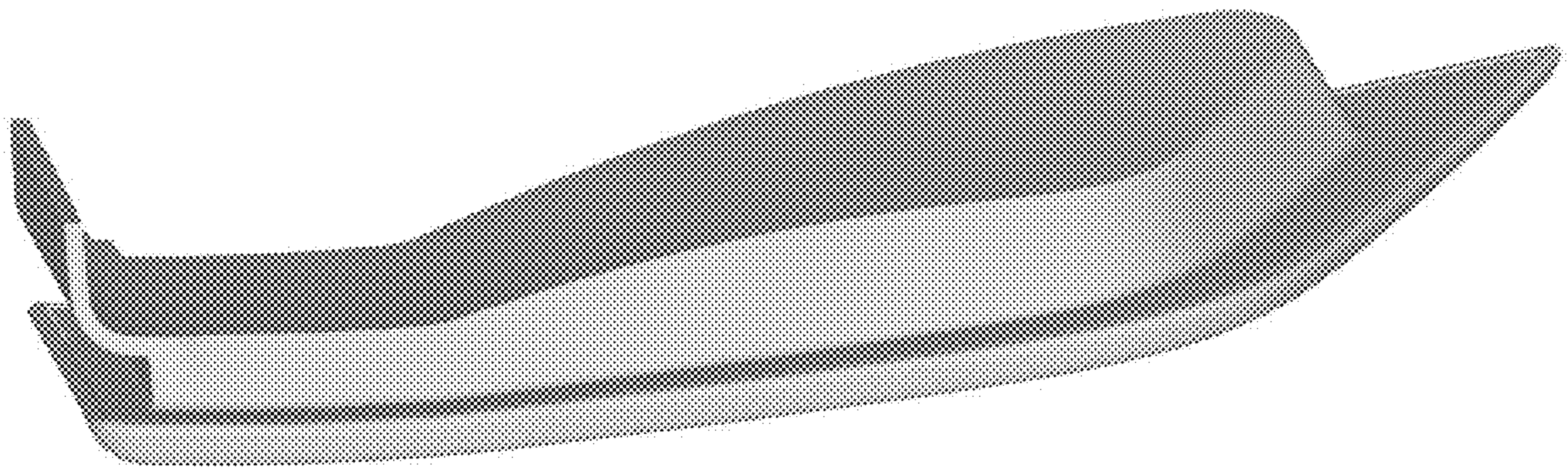


FIG. 6



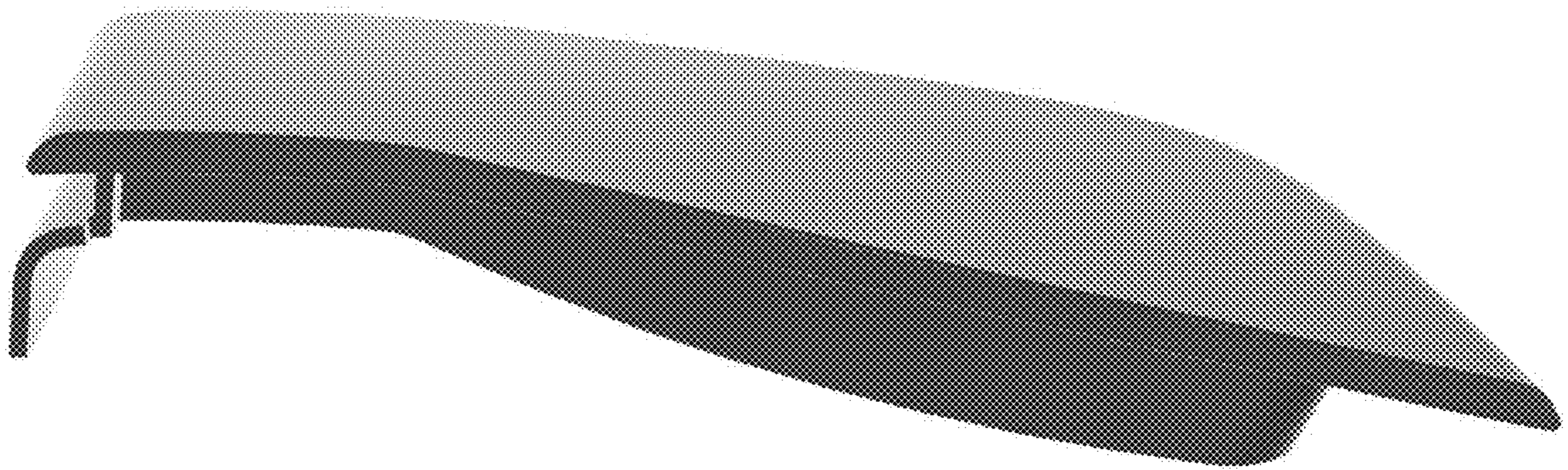


FIG. 7

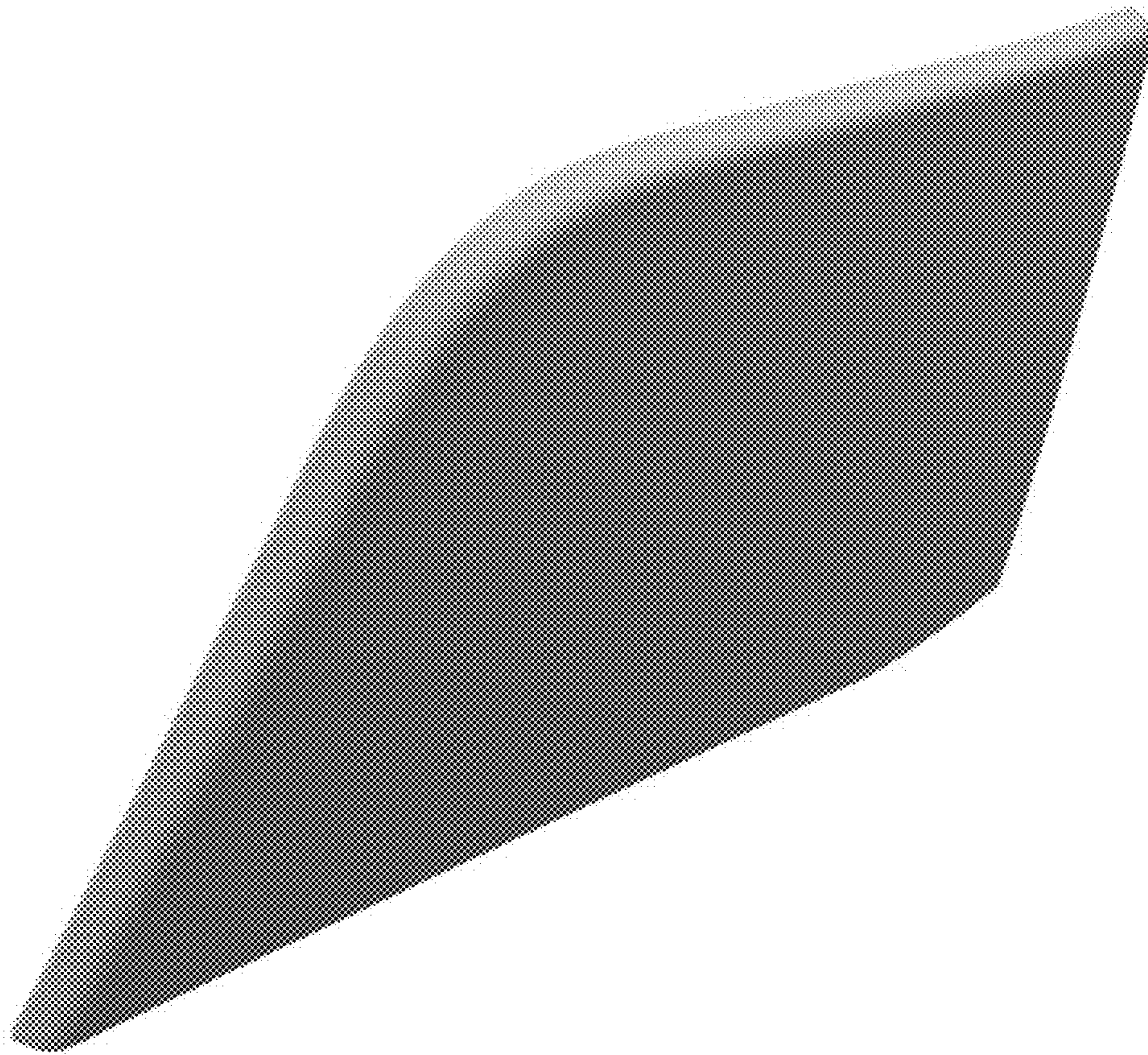


FIG. 8

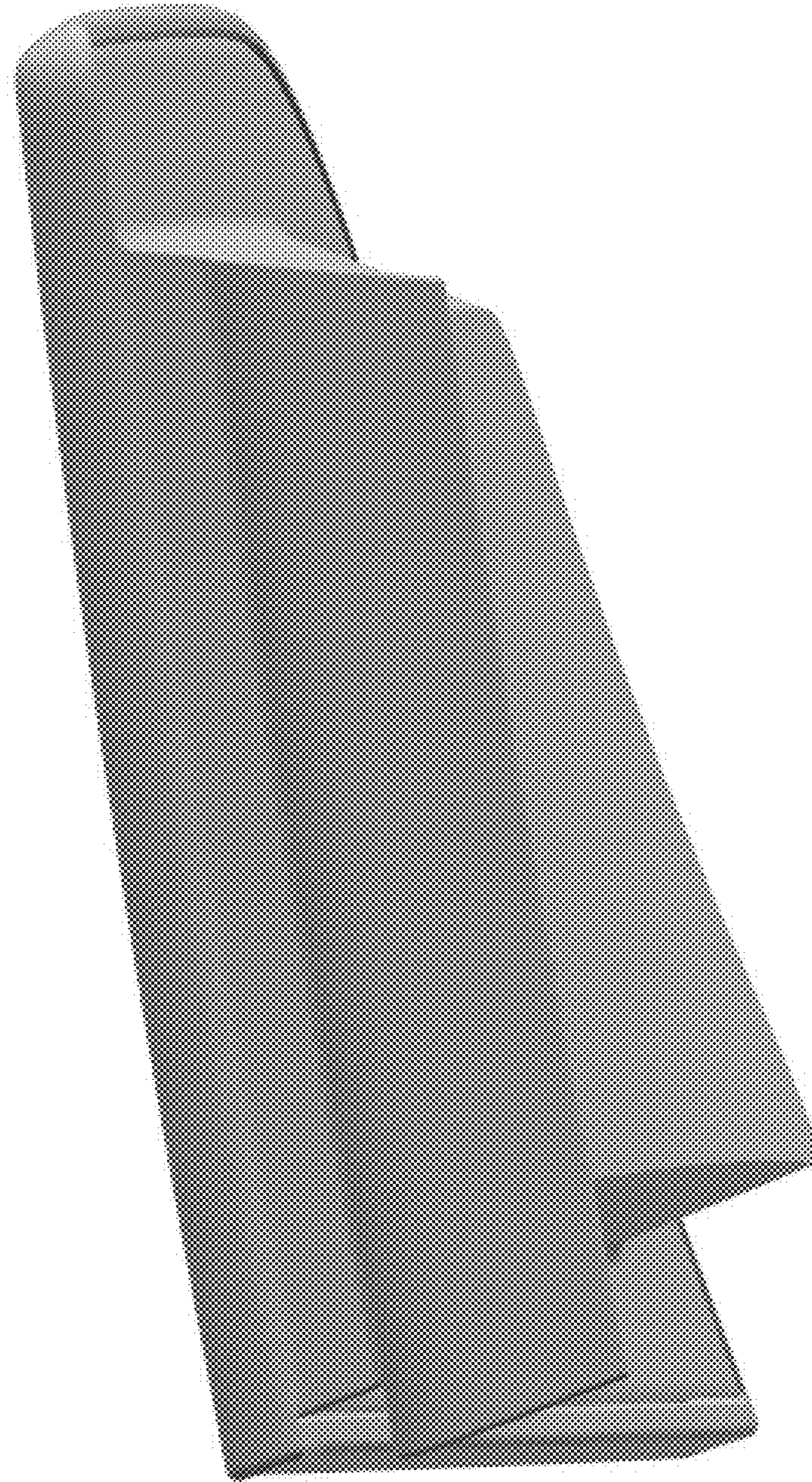


FIG. 9

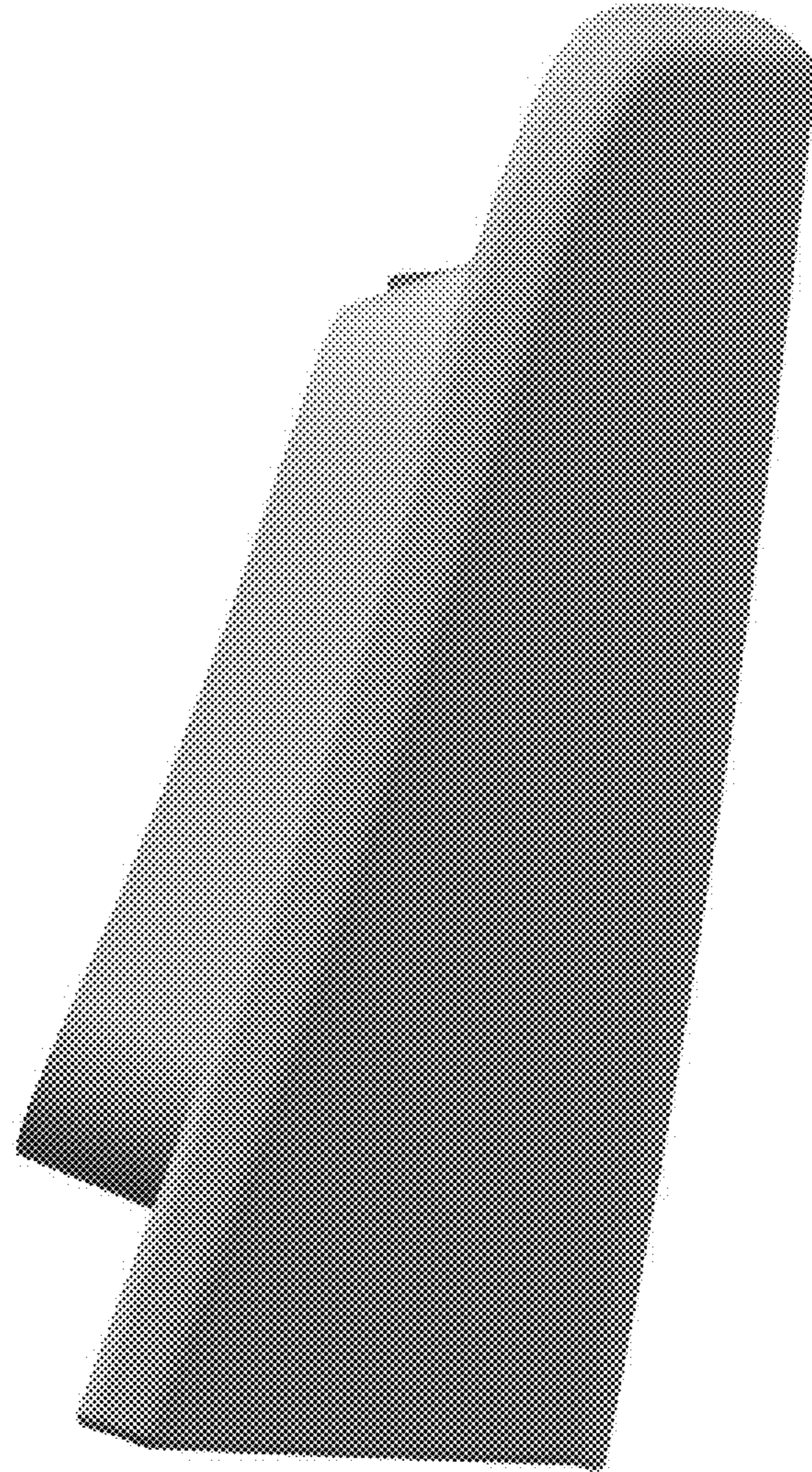


FIG. 10



FIG. 11

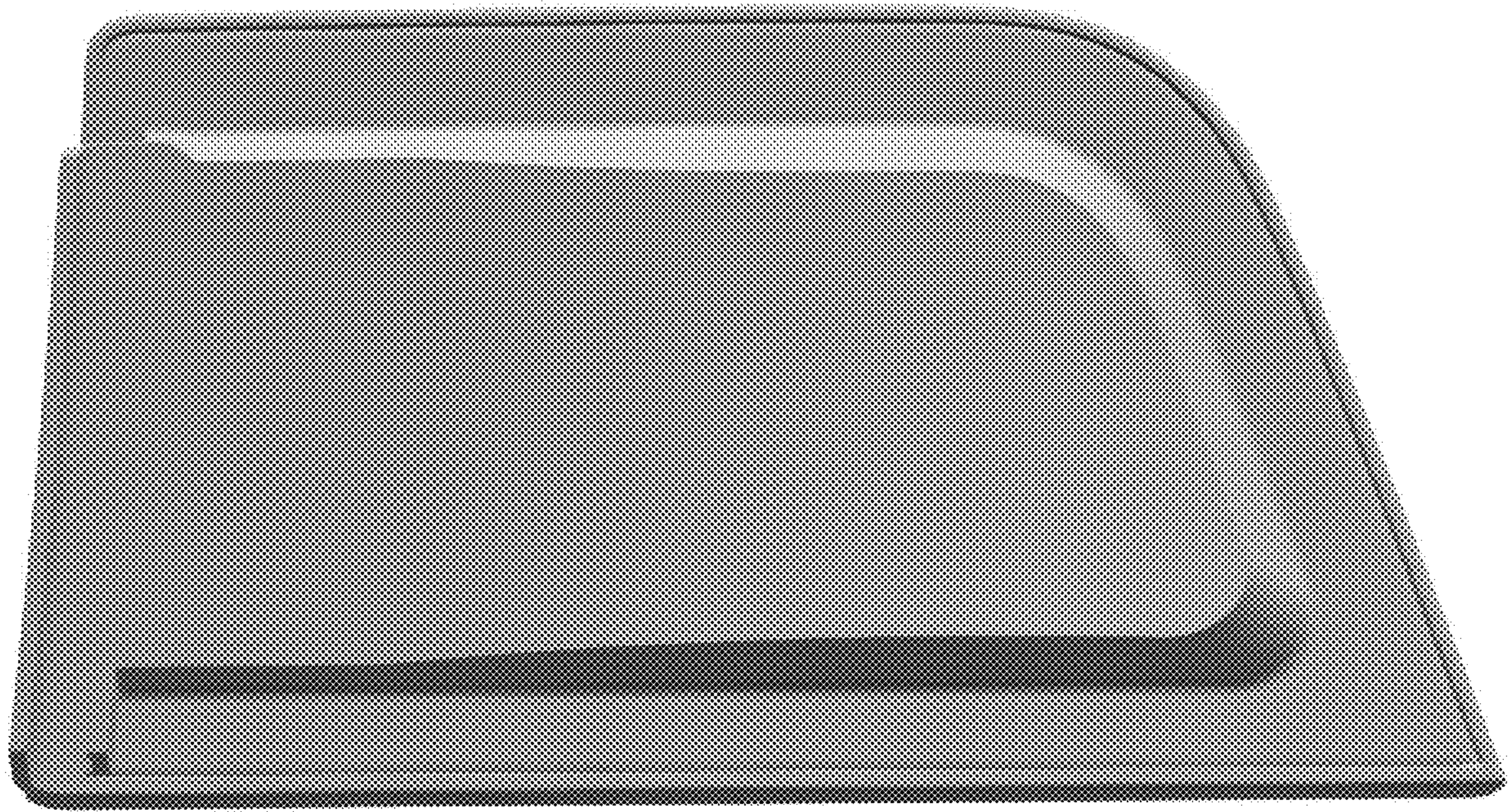


FIG. 12

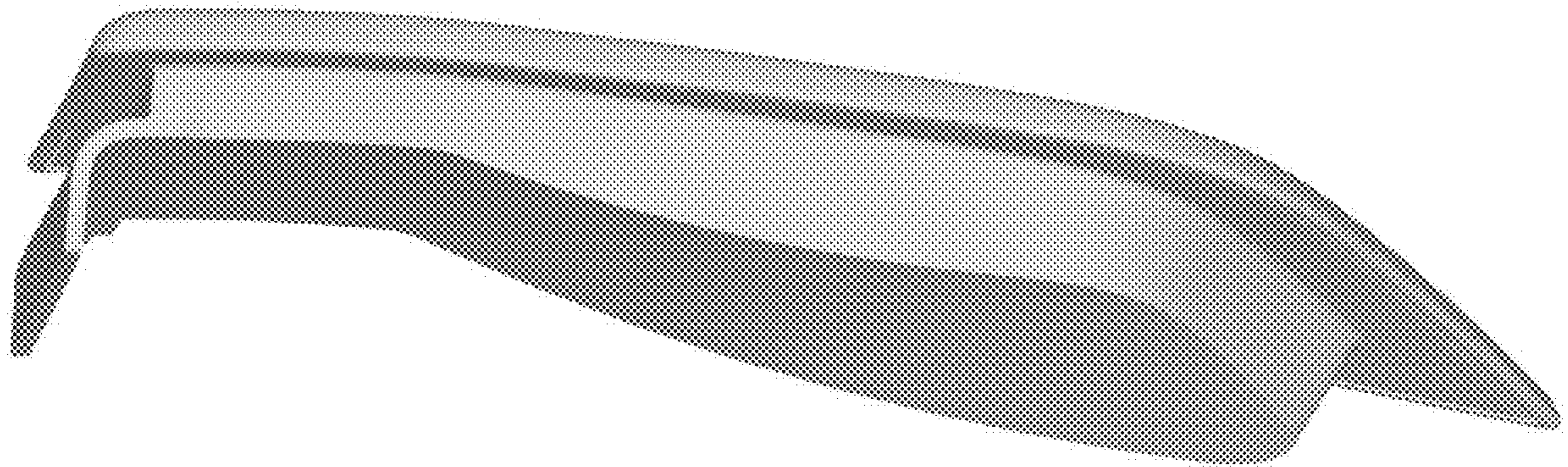


FIG. 13

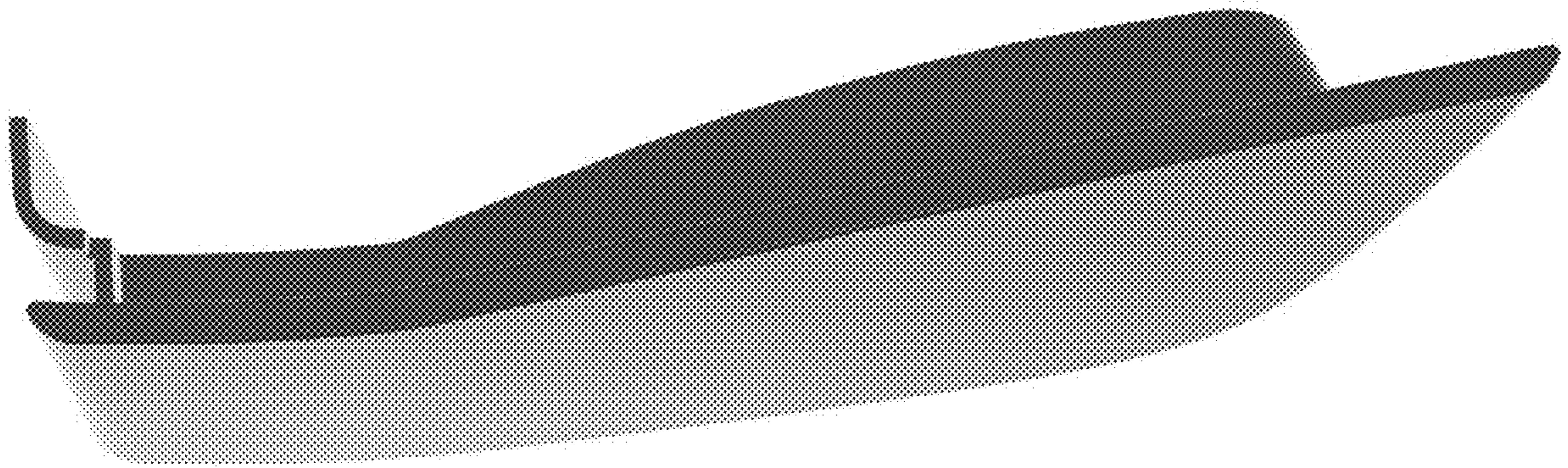


FIG. 14