



US00D984936S

(12) **United States Design Patent**
Manzoni

(10) **Patent No.:** **US D984,936 S**
(45) **Date of Patent:** **** May 2, 2023**

(54) **PART OF AN AUTOMOBILE**

(71) Applicant: **Ferrari S.p.A.**, Modena (IT)
(72) Inventor: **Flavio Manzoni**, Modena (IT)
(73) Assignee: **FERRARI S.p.A.**, Modena (IT)
(**) Term: **15 Years**

(21) Appl. No.: **29/857,166**
(22) Filed: **Oct. 20, 2022**

Related U.S. Application Data

(62) Division of application No. 35/512,439, filed on Aug. 6, 2021 (U.S. filing date under 35 U.S.C. 384), and having an international filing date of Aug. 6, 2021, now Pat. No. Des. 972,456.

Foreign Application Priority Data

Feb. 9, 2021 (WO) WIPO101707
(51) **LOC (14) Cl.** **12-08**
(52) **U.S. Cl.**
USPC **D12/173**
(58) **Field of Classification Search**
USPC D12/82, 86, 88, 90–92, 173, 196;
D21/424, 433, 434, 533, 548–551
CPC B62D 25/00; B62D 25/06; B62D 31/00;
B62D 31/003; B62D 33/00; B62D 35/00;
B62D 47/00
See application file for complete search history.

(56) **References Cited**

U.S. PATENT DOCUMENTS

D813,759 S *	3/2018	Perkins	D12/173
D821,943 S *	7/2018	Bucher	D12/173
D836,045 S *	12/2018	McMahan	D12/173
D848,328 S *	5/2019	Chan	D12/173
D863,155 S *	10/2019	Dewitt	D12/173
D877,672 S *	3/2020	Tonello	D12/173
D972,456 S *	12/2022	Manzoni	D12/91

* cited by examiner

Primary Examiner — Joseph Kukella

(74) *Attorney, Agent, or Firm* — Cowan, Liebowitz & Latman, P.C.; Anastasia Zhadina

(57) **CLAIM**

The ornamental design for a part of an automobile, as shown and described.

DESCRIPTION

FIG. 1 is a front perspective view of the part of an automobile showing my design;
FIG. 2 is a rear perspective view thereof;
FIG. 3 is a front view thereof;
FIG. 4 is a lateral view thereof; and,
FIG. 5 is a top plan view thereof.
Portions of the automobile shown in broken lines are not part of the claimed design.
The present design is directed to a part of an automobile, and more specifically to a hood/bonnet portion of the automobile.

1 Claim, 5 Drawing Sheets

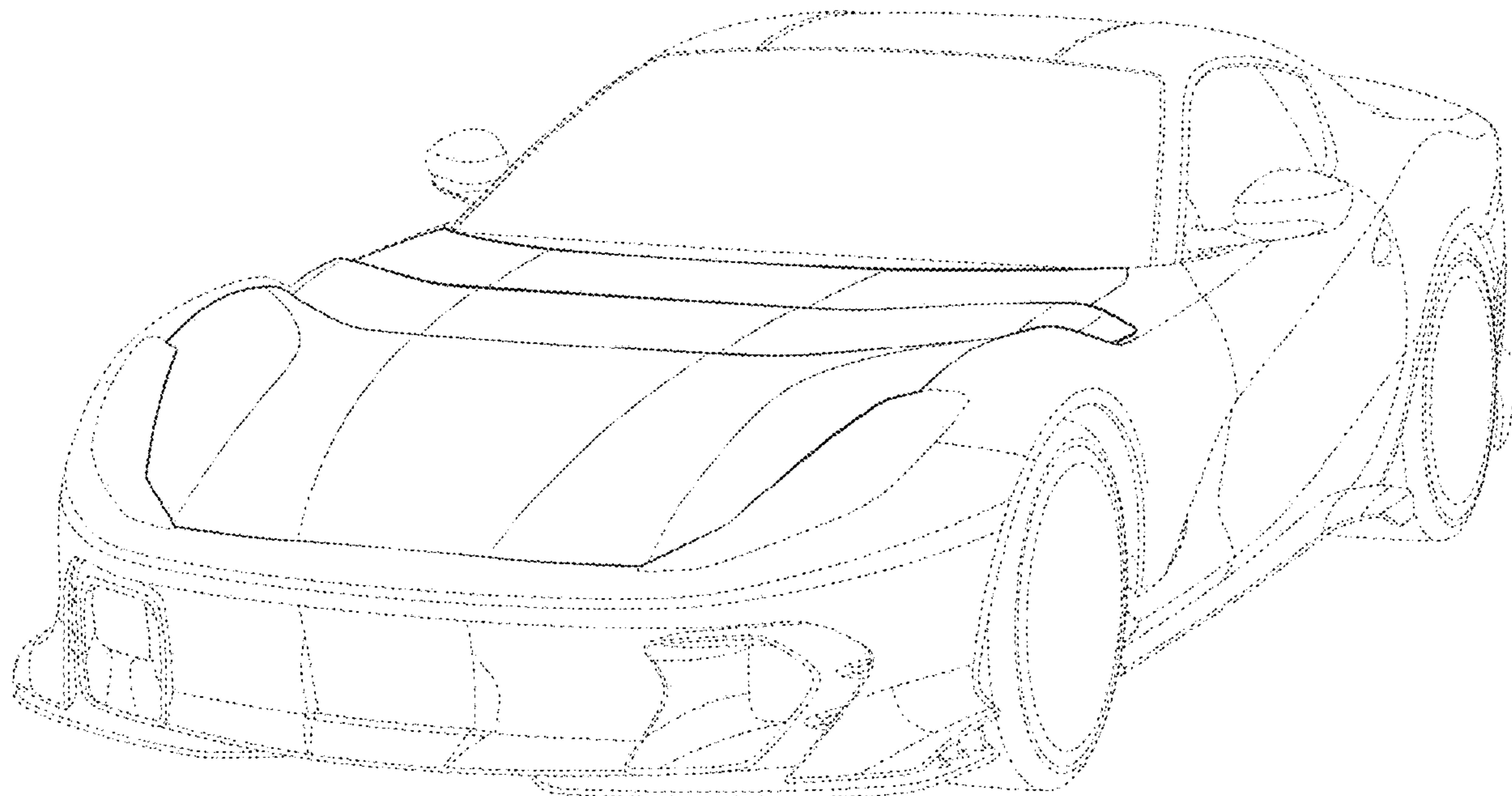


FIG. 1

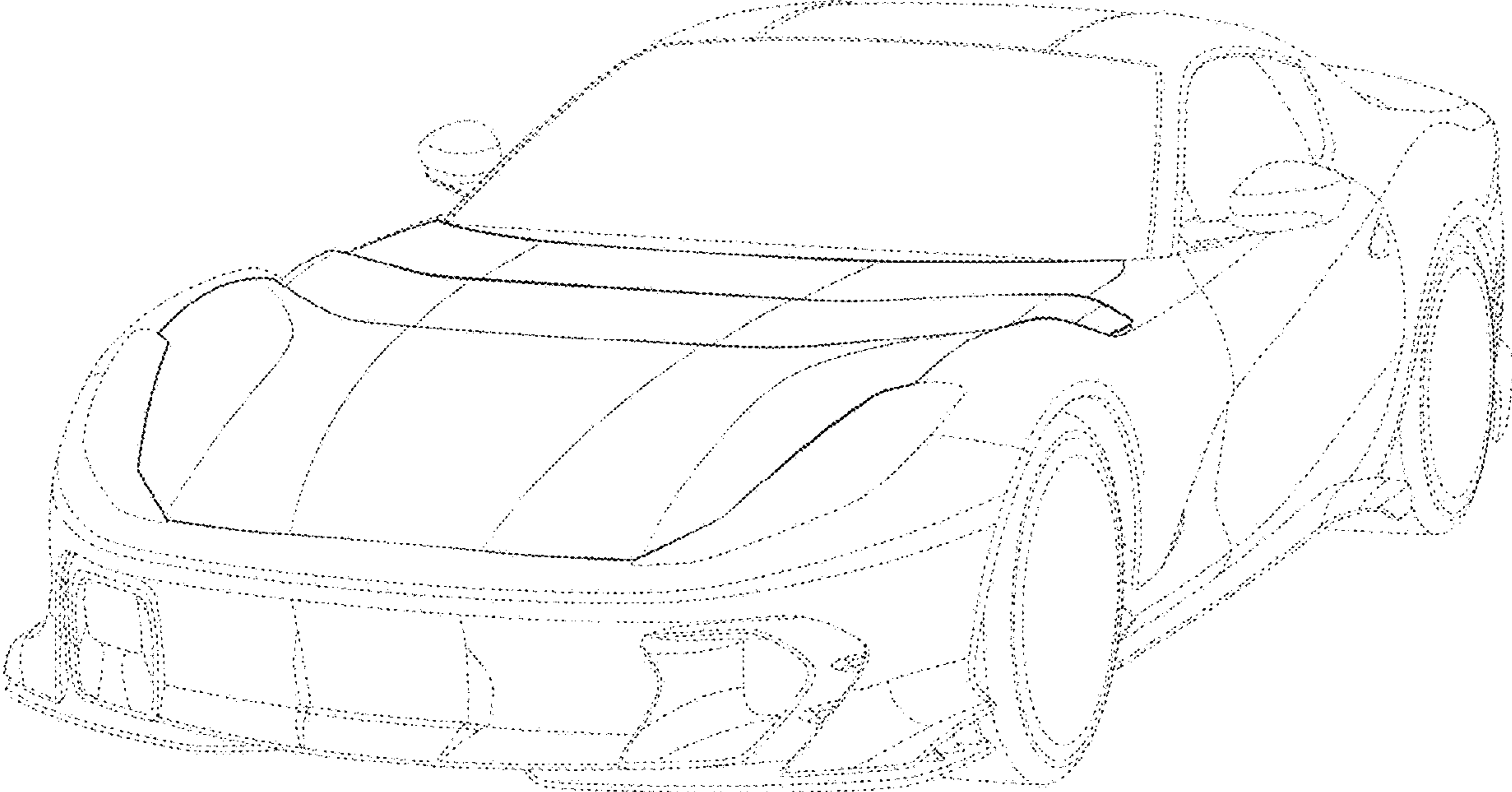


FIG. 2

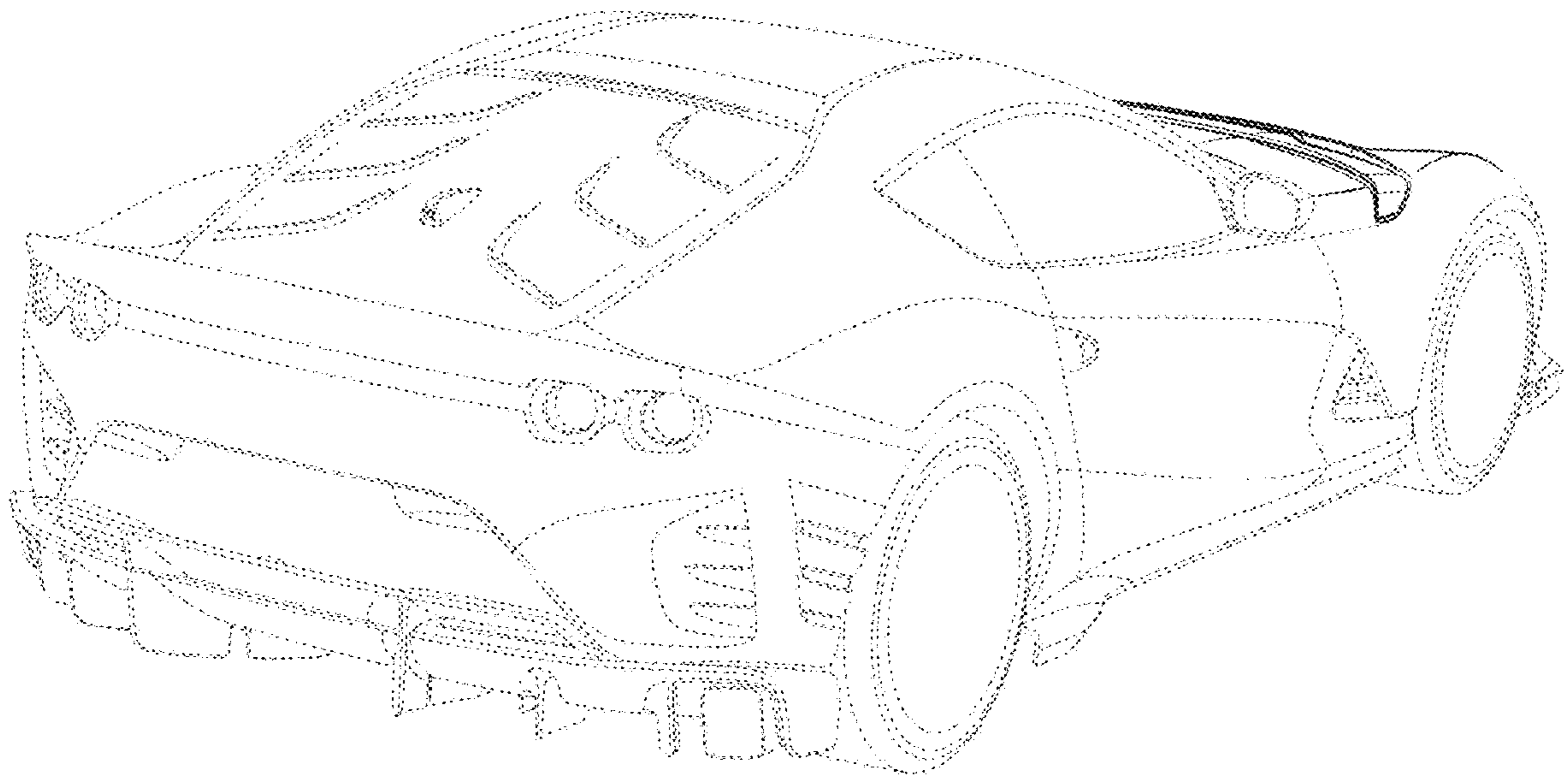


FIG. 3

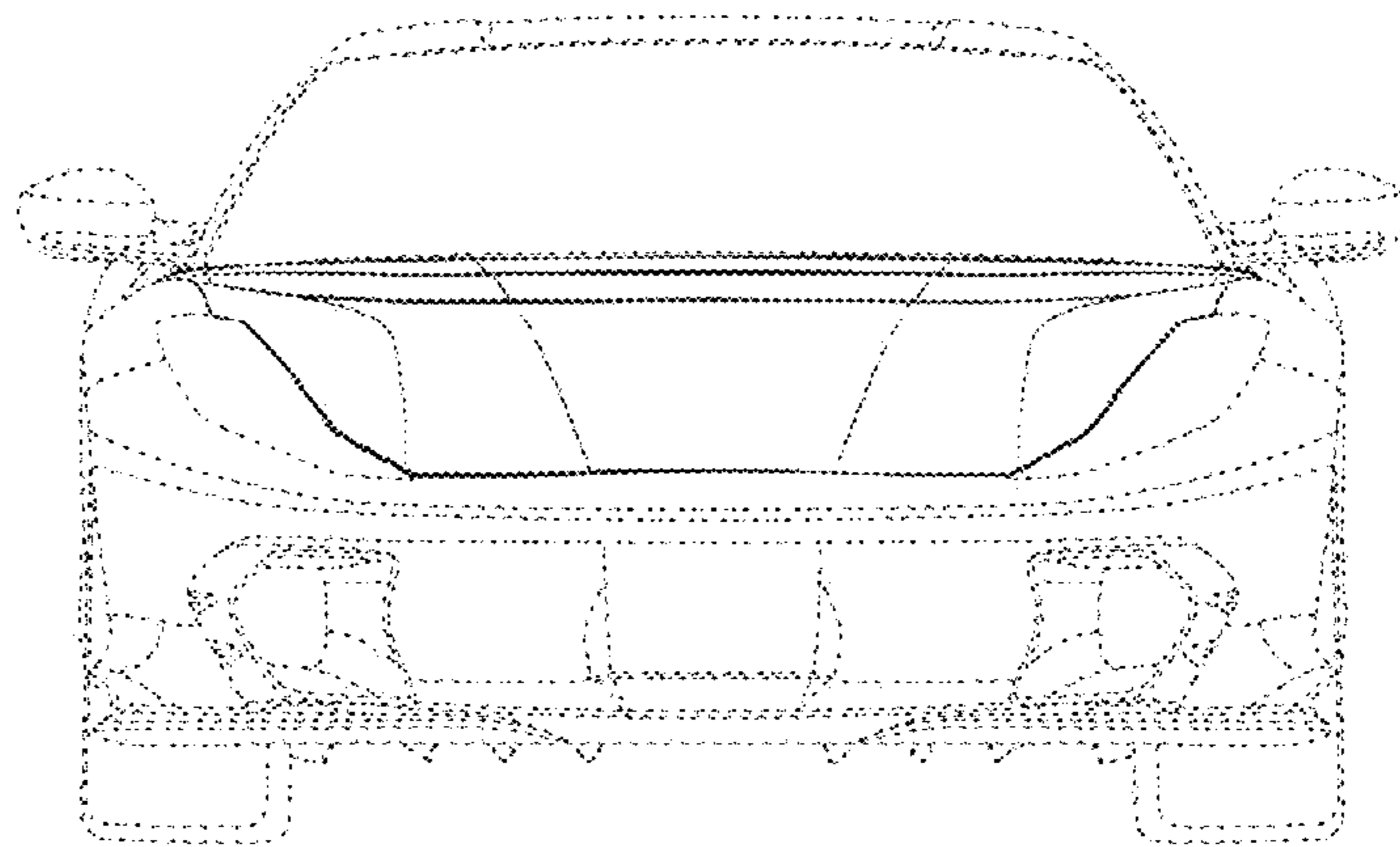


FIG. 4

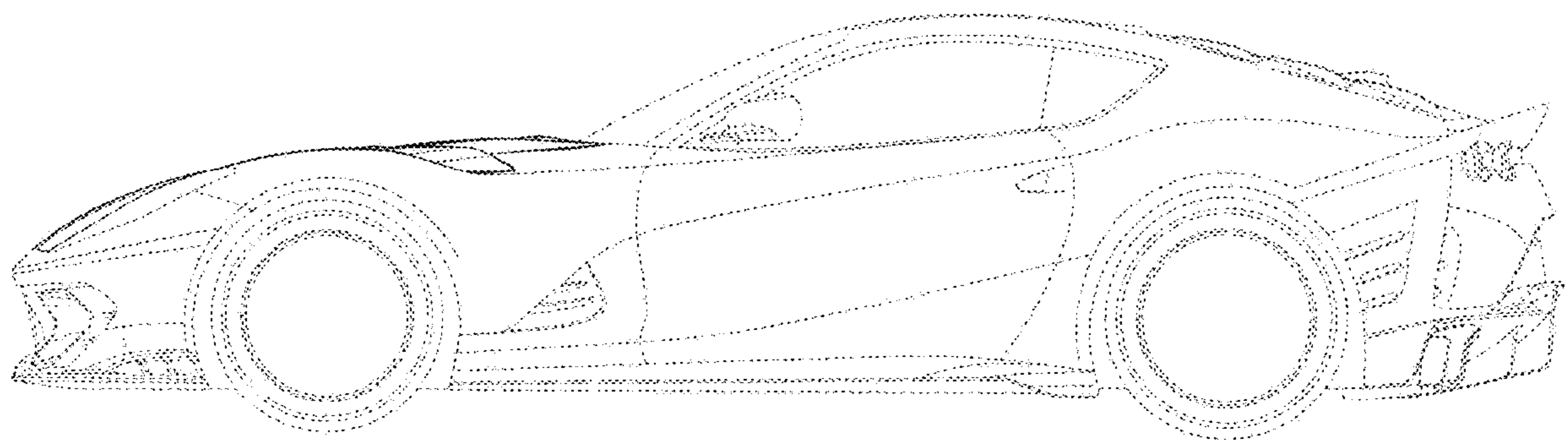


FIG. 5

