



US00D984935S

(12) **United States Design Patent** (10) **Patent No.:** **US D984,935 S**
Manzoni (45) **Date of Patent:** **** May 2, 2023**

(54) **BONNET FOR VEHICLE**

(56) **References Cited**

(71) Applicant: **Ferrari S.p.A.**, Modena (IT)

U.S. PATENT DOCUMENTS

(72) Inventor: **Flavio Manzoni**, Modena (IT)

| | | | |
|--------------|---------|--------------------|---------|
| D758,257 S * | 6/2016 | Platto | D12/163 |
| D860,861 S * | 9/2019 | Manzoni | D12/88 |
| D874,369 S * | 2/2020 | Donfrancesco | D12/181 |
| D928,663 S * | 8/2021 | Manzoni | D12/92 |
| D928,891 S * | 8/2021 | Manzoni | D12/91 |
| D940,027 S * | 1/2022 | Willing | D12/190 |
| D970,402 S * | 11/2022 | Manzoni | D12/196 |
| D972,456 S * | 12/2022 | Manzoni | D12/91 |

(73) Assignee: **FERRARI S.p.A.**, Modena (IT)

(**) Term: **15 Years**

* cited by examiner

(21) Appl. No.: **29/857,161**

(22) Filed: **Oct. 20, 2022**

Related U.S. Application Data

Primary Examiner — Joseph Kukella

(62) Division of application No. 35/512,439, filed on Aug. 6, 2021 (U.S. filing date under 35 U.S.C. 384), and having an international filing date of Aug. 6, 2021, now Pat. No. Des. 972,456.

(74) *Attorney, Agent, or Firm* — Cowan, Liebowitz & Latman, P.C.; Anastasia Zhadina

(30) **Foreign Application Priority Data**

(57) **CLAIM**

Feb. 9, 2021 (WO) WIPO101707

The ornamental design for a bonnet for vehicle, as shown and described.

(51) **LOC (14) Cl.** **12-16**

DESCRIPTION

(52) **U.S. Cl.**

FIG. 1 is a perspective view of the bonnet for vehicle showing my design;

USPC **D12/196**

FIG. 2 is a front elevation view thereof;

(58) **Field of Classification Search**

USPC D12/82, 86, 90-92; D21/424, 433, 434, D21/533, 548-551

FIG. 3 is a left-side view thereof;

CPC B62D 25/00; B62D 25/06; B62D 31/00; B62D 31/003; B62D 33/00; B62D 35/00; B62D 47/00

FIG. 4 is a rear elevation view thereof;

See application file for complete search history.

FIG. 5 is a right-side view thereof;

FIG. 6 is a top plan view thereof; and,

FIG. 7 is a bottom view thereof.

1 Claim, 7 Drawing Sheets

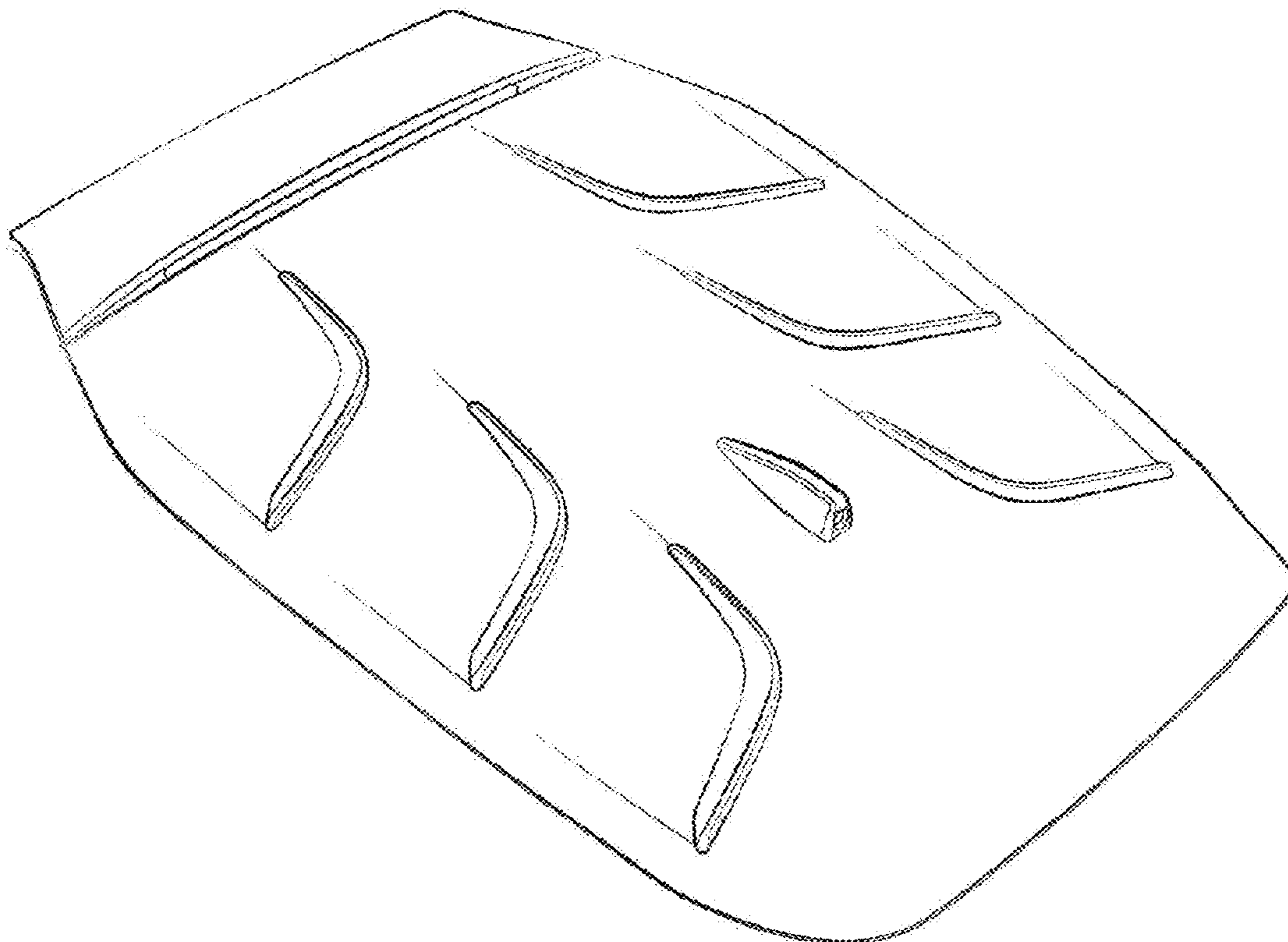


FIG. 1

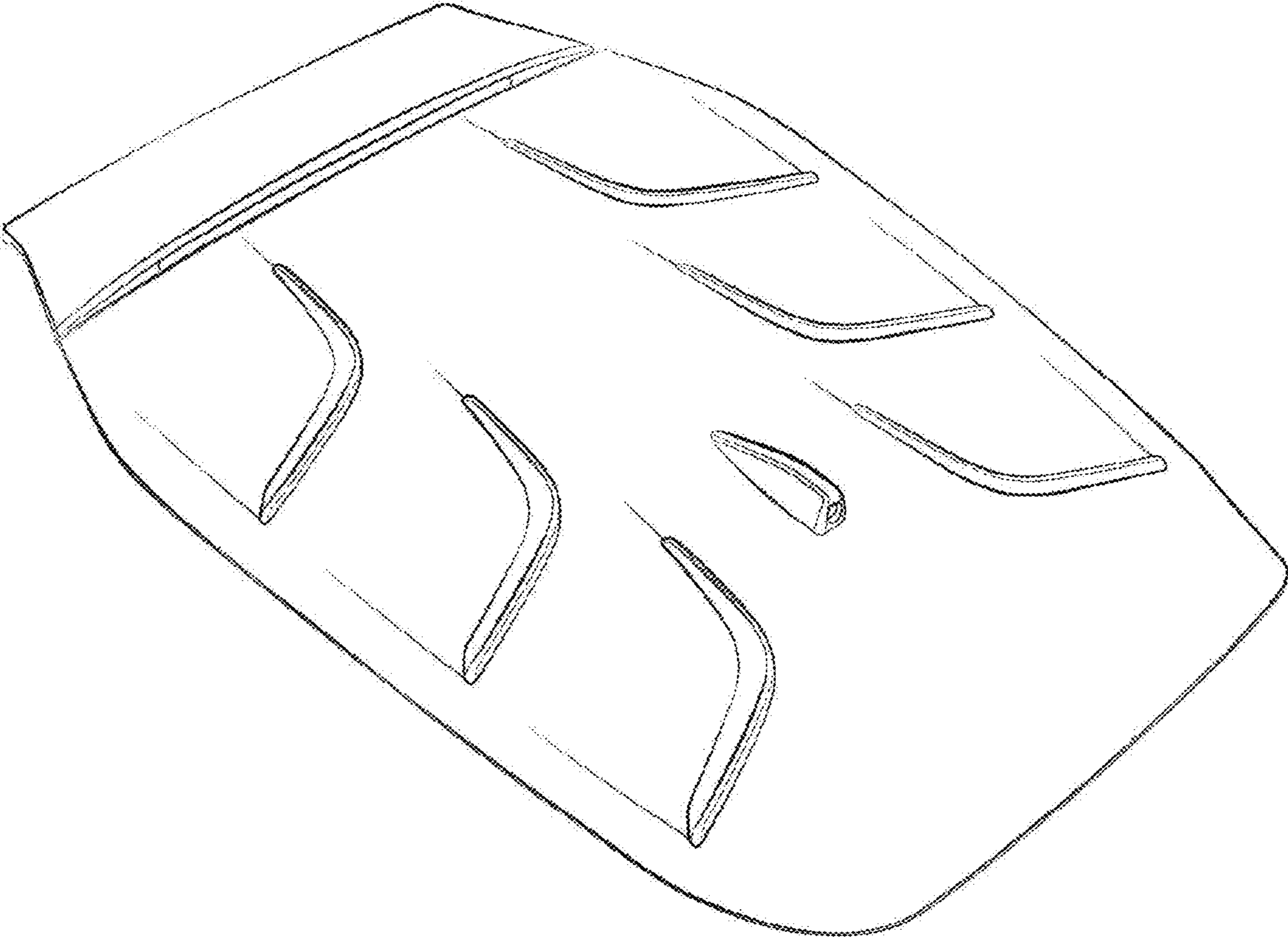


FIG. 2

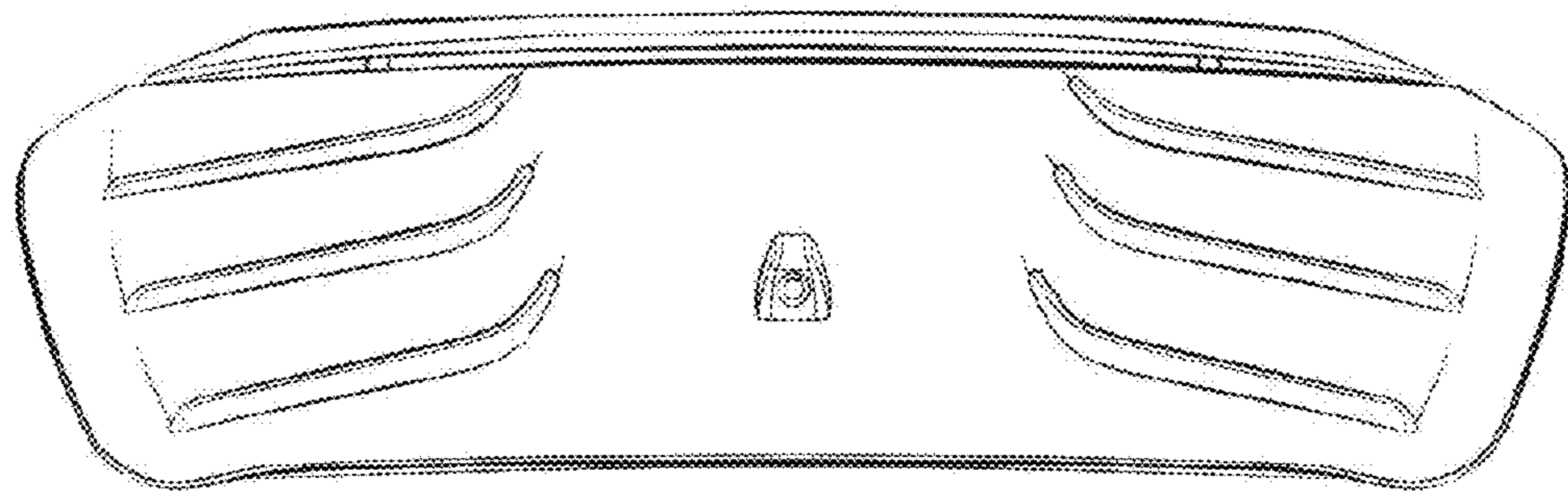


FIG. 3

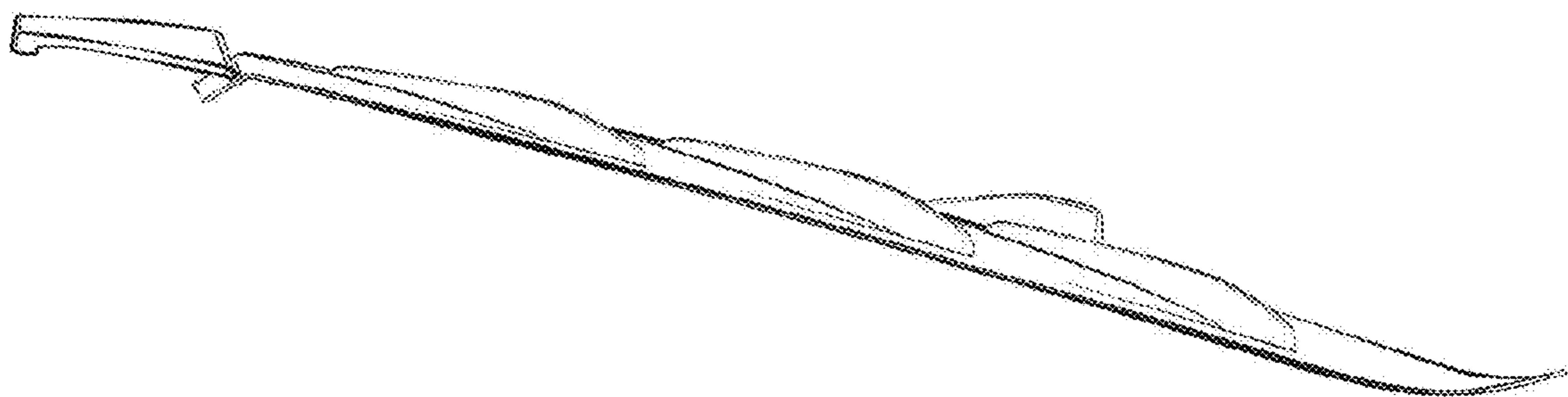


FIG. 4

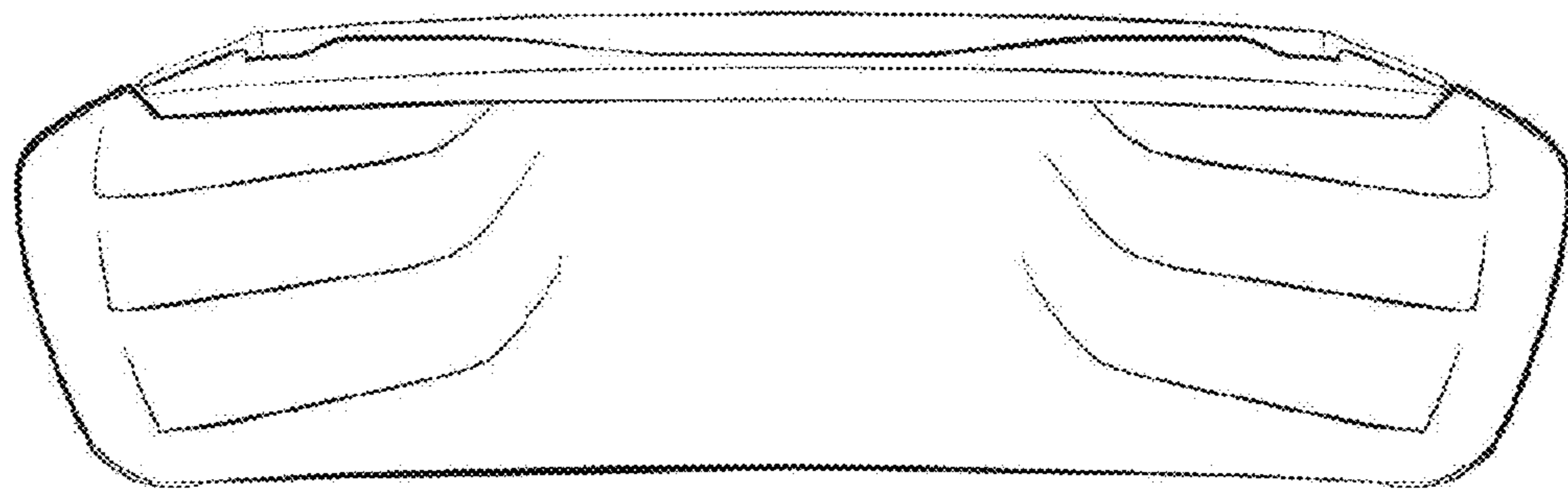


FIG. 5

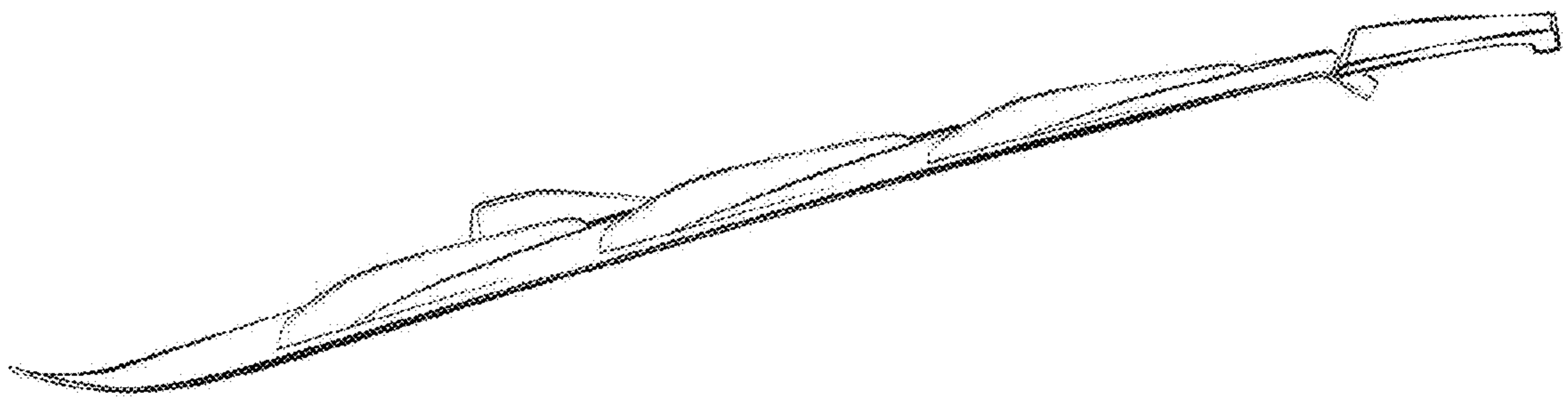


FIG. 6

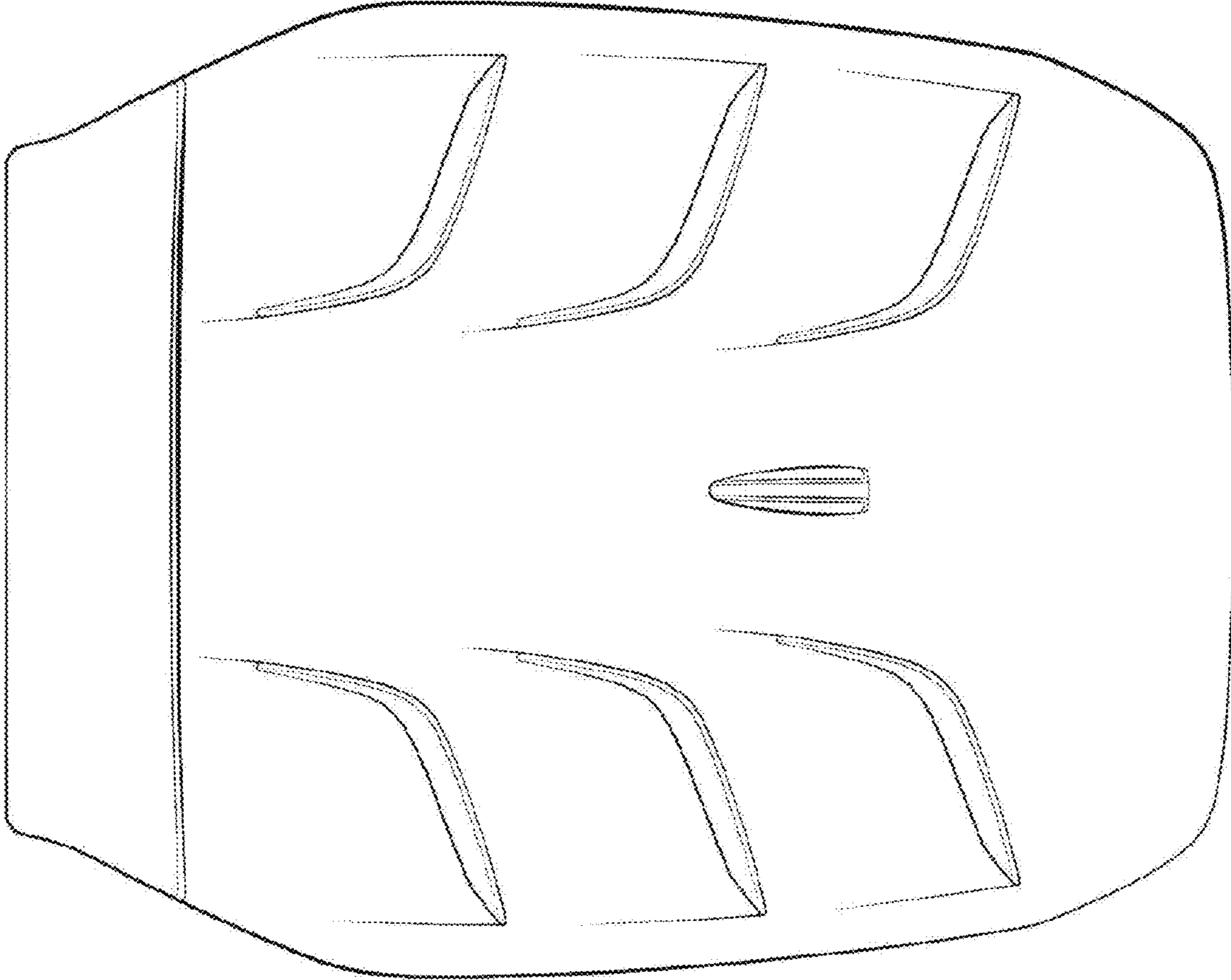


FIG. 7

