



US00D984929S

(12) **United States Design Patent**  
**Xu et al.**

(10) **Patent No.:** **US D984,929 S**  
(45) **Date of Patent:** **\*\* May 2, 2023**

(54) **TWO-WHEEL-DRIVE OFF-ROAD MOTORCYCLE**

D756,269 S \* 5/2016 Hahn-Woernle ..... D12/110  
D776,013 S \* 1/2017 Kiska ..... D12/110  
D776,575 S \* 1/2017 Kiska ..... D12/110

(71) Applicant: **ZHEJIANG TAOTAO VEHICLES CO., LTD.**, Zhejiang (CN)

(Continued)

(72) Inventors: **Jie Xu**, Zhejiang (CN); **Guidong Lou**, Zhejiang (CN); **Junhui Li**, Zhejiang (CN); **Yali Ying**, Zhejiang (CN); **Yi Ni**, Zhejiang (CN)

**OTHER PUBLICATIONS**

“2022 Honda Grom 125/A.” Honda., Oct. 8, 2020 [online], [retrieved on Apr. 5, 2022]. Retrieved from the Internet <URL: [https://cdn.powersports.honda.com/documentum/MWOM/ml.remawmom.2022\\_grom125\\_owner\\_s\\_manual.pdf](https://cdn.powersports.honda.com/documentum/MWOM/ml.remawmom.2022_grom125_owner_s_manual.pdf)>.\*

(73) Assignee: **ZHEJIANG TAOTAO VEHICLES CO., LTD.**, Lishui (CN)

(Continued)

(\*\*) Term: **15 Years**

*Primary Examiner* — Darlington Ly

(21) Appl. No.: **29/803,286**

(57) **CLAIM**

(22) Filed: **Aug. 12, 2021**

The ornamental design for a two-wheel-drive off-road motorcycle, as shown and described.

(30) **Foreign Application Priority Data**

**DESCRIPTION**

Jul. 5, 2021 (CN) ..... 202130421442.4

(51) **LOC (14) Cl.** ..... **12-11**

(52) **U.S. Cl.**  
USPC ..... **D12/110**

(58) **Field of Classification Search**  
USPC ..... D12/110, 111, 117; D21/432, 538  
CPC ..... B62K 11/00; B62K 11/02; B62K 11/04;  
B62K 11/10; B62K 17/00; B62K 19/00;  
B62K 2202/00

See application file for complete search history.

FIG. 1 is a top, front and right side perspective view of a two-wheel-drive off-road motorcycle showing our new design;  
FIG. 2 is a top, rear and left side perspective view thereof;  
FIG. 3 is a bottom, rear and left side perspective view thereof;  
FIG. 4 is a bottom, rear and right side perspective view thereof;  
FIG. 5 is a front elevational view thereof;  
FIG. 6 is a rear elevational view thereof;  
FIG. 7 is a left side view thereof;  
FIG. 8 is a right side view thereof;  
FIG. 9 is a top plan view thereof;  
FIG. 10 is a bottom plan view thereof;  
FIG. 11 is an enlarged view of portion 11 in FIG. 1; and,  
FIG. 12 is an enlarged view of portion 12 in FIG. 3.

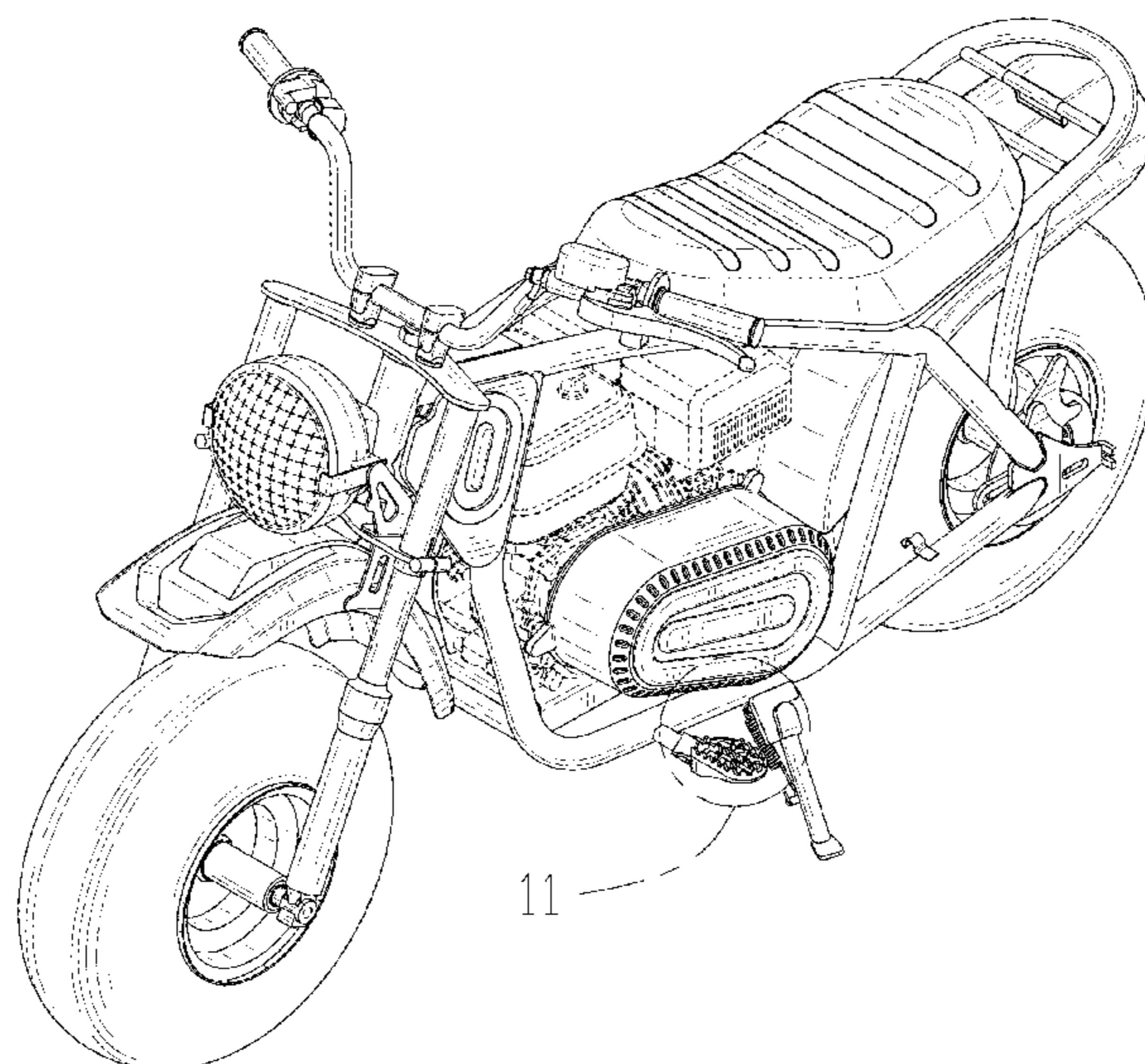
The broken lines in the drawings illustrate portions of the two-wheel-drive off-road motorcycle which form no part of the claimed design.

(56) **References Cited**

**U.S. PATENT DOCUMENTS**

D645,791 S \* 9/2011 Lee ..... D12/110  
D723,430 S \* 3/2015 Schmidt ..... D12/110  
D733,007 S \* 6/2015 Futamata ..... D12/110  
D734,216 S \* 7/2015 Sasanami ..... D12/110  
D735,085 S \* 7/2015 Buckan ..... D12/110  
D744,906 S \* 12/2015 Song ..... D12/110  
D753,552 S \* 4/2016 McGinley ..... D12/110

**1 Claim, 12 Drawing Sheets**



(56)

**References Cited**

## U.S. PATENT DOCUMENTS

D793,285 S \* 8/2017 Toyama ..... D12/110  
D796,384 S \* 9/2017 Galluzzi ..... D12/110  
D796,385 S \* 9/2017 Galluzzi ..... D12/110  
D800,608 S \* 10/2017 Takizawa ..... D12/110  
D809,431 S \* 2/2018 Janyapanich ..... D12/110  
D820,167 S \* 6/2018 Aiello ..... D12/110  
D824,290 S \* 7/2018 Sukkar ..... D12/110  
D828,230 S \* 9/2018 Cammorata ..... D12/110  
D856,854 S \* 8/2019 Tamura ..... D12/110  
D859,220 S \* 9/2019 Kishi ..... D12/110  
D859,221 S \* 9/2019 Shigihara ..... D12/110  
D878,971 S \* 3/2020 Li ..... D12/110  
D880,365 S \* 4/2020 McGinley ..... D12/110  
D880,366 S \* 4/2020 Shedjale ..... D12/110  
D890,033 S \* 7/2020 Carducci ..... D12/110  
D895,487 S \* 9/2020 Richards ..... D12/110  
D911,879 S \* 3/2021 Christoph ..... D12/110  
D940,008 S \* 1/2022 Lou ..... D12/110  
2018/0257726 A1 \* 9/2018 Bagnariol ..... B62M 7/02  
2020/0102041 A1 \* 4/2020 Pelz ..... F02M 35/162

## OTHER PUBLICATIONS

Greg Drevenstedt. "2022 Honda Grom | First Ride Review." Rider Motorcyclist at its Best., Aug. 3, 2021 [online], [retrieved on Apr. 5, 2022]. Retrieved from the Internet <URL: <https://ridermagazine.com/2021/08/03/2022-honda-grom-first-ride-review/>>.\*

\* cited by examiner

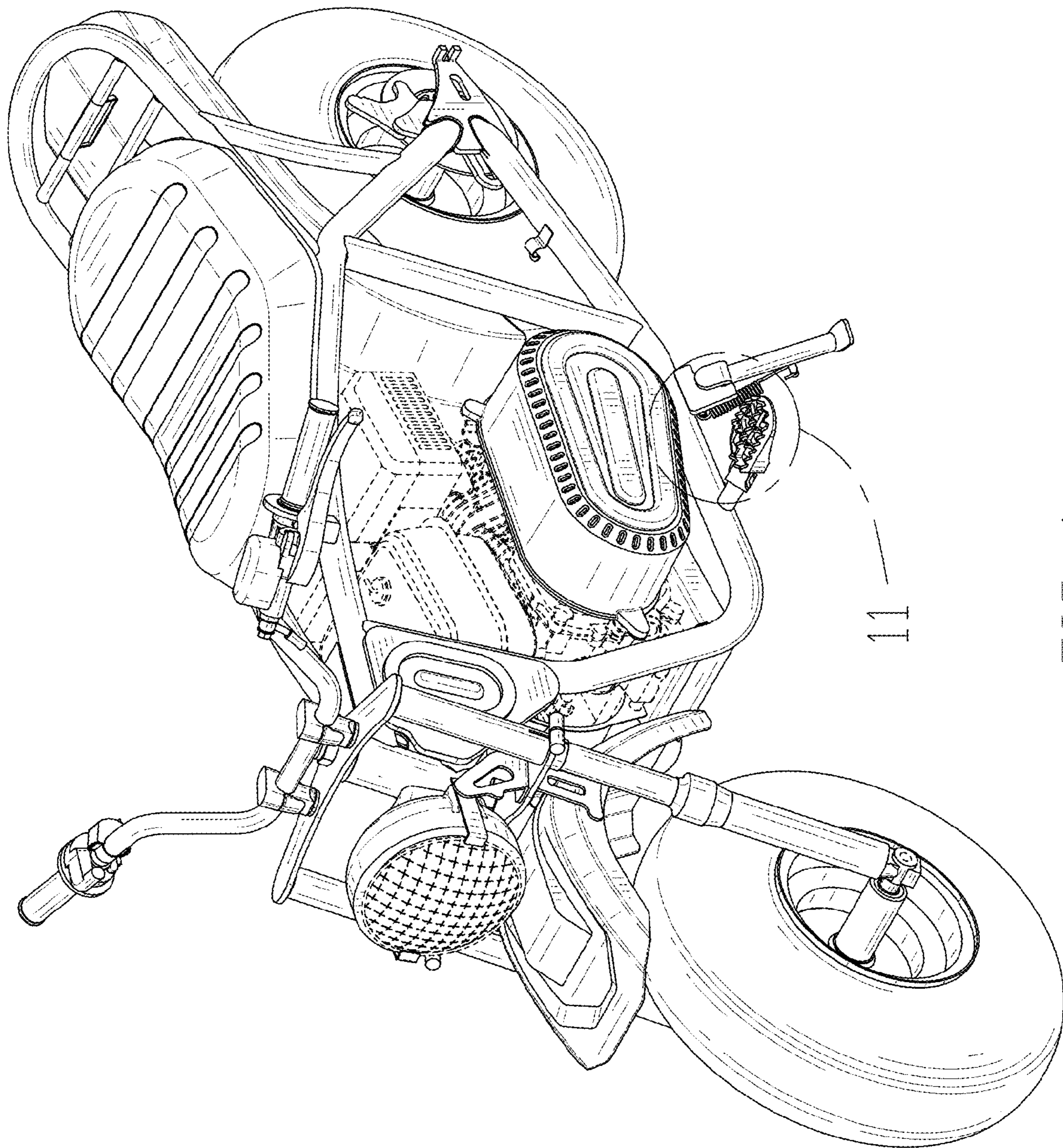


FIG. 1

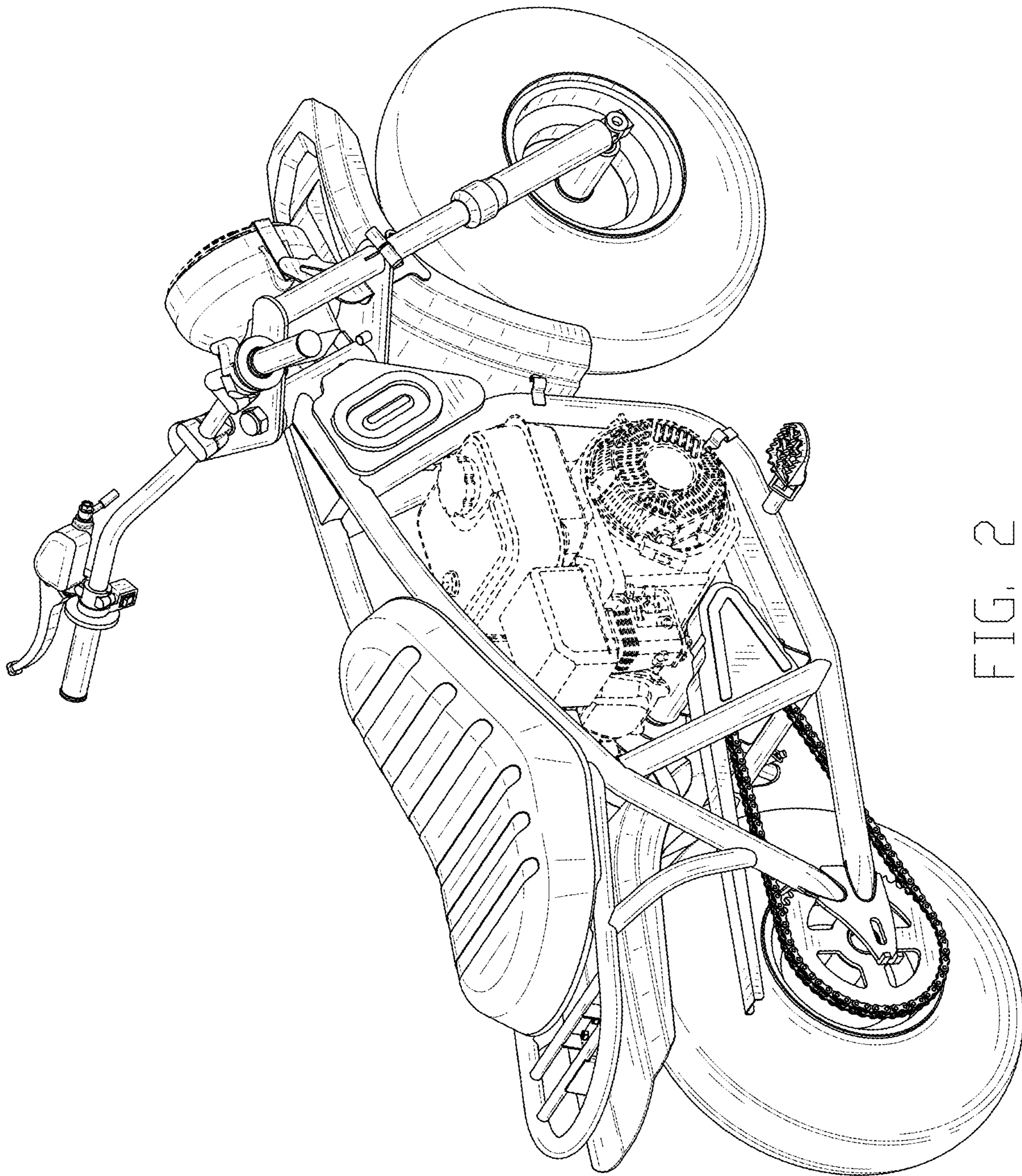


FIG. 2

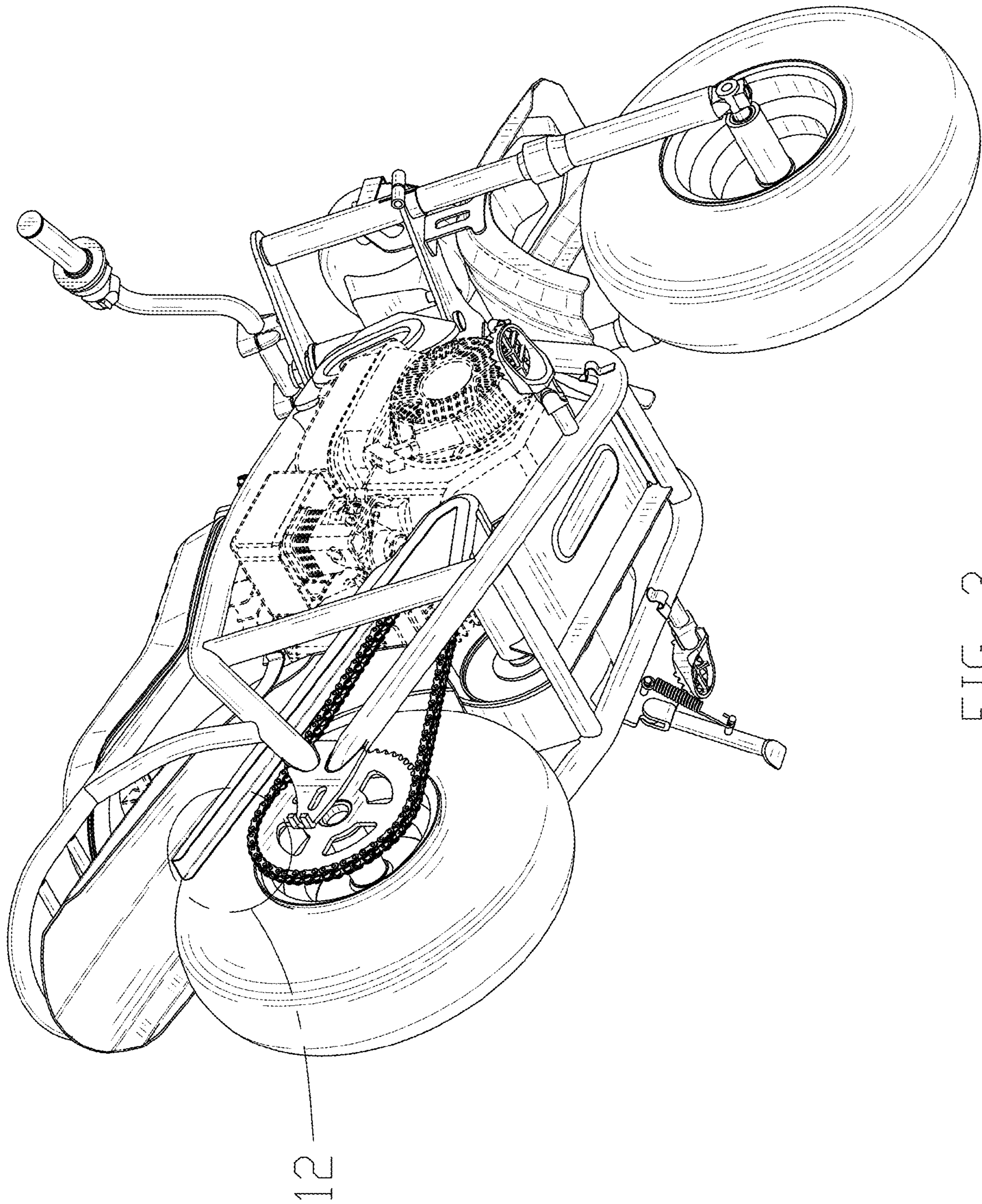


FIG. 3

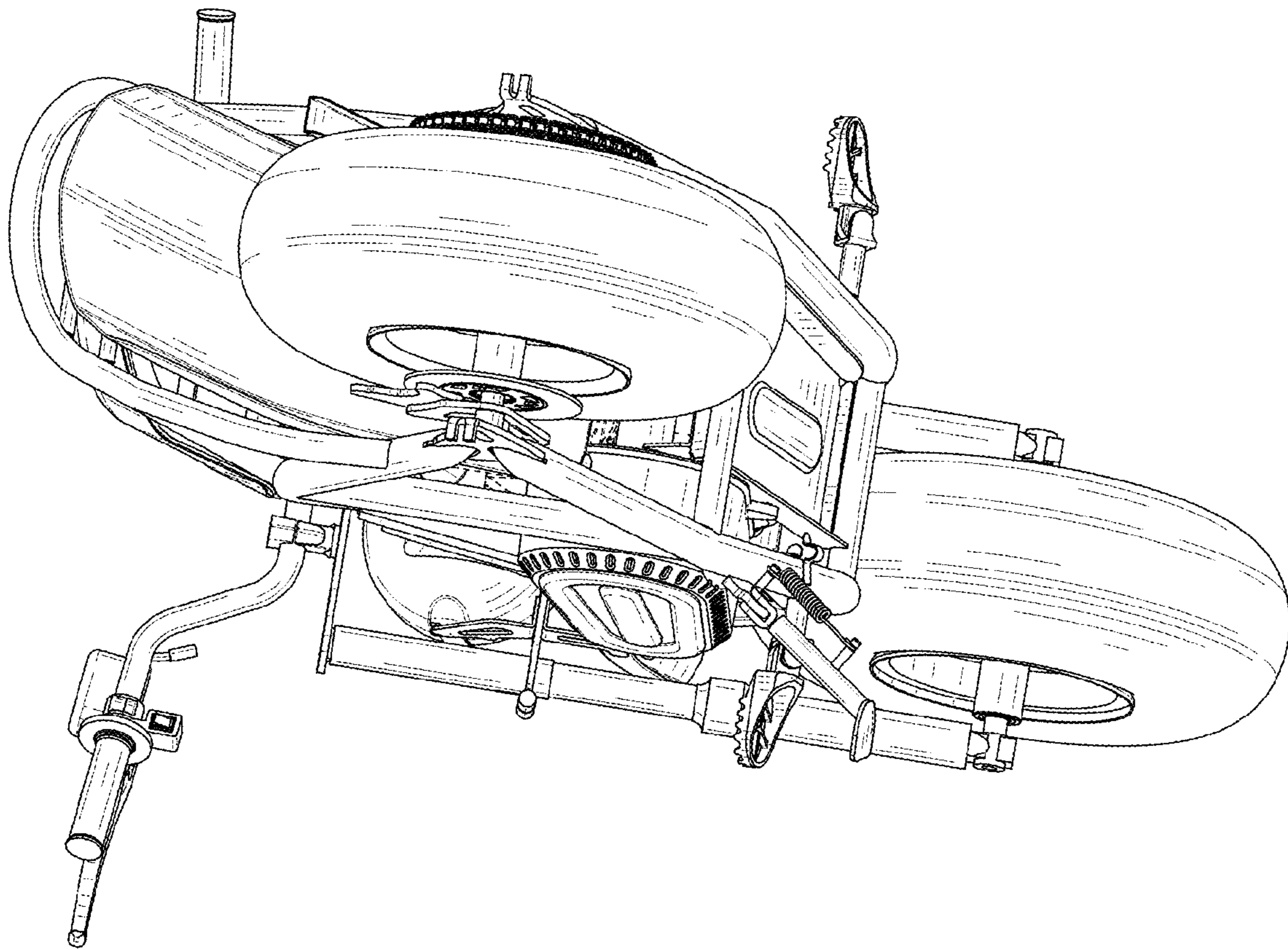


FIG. 4

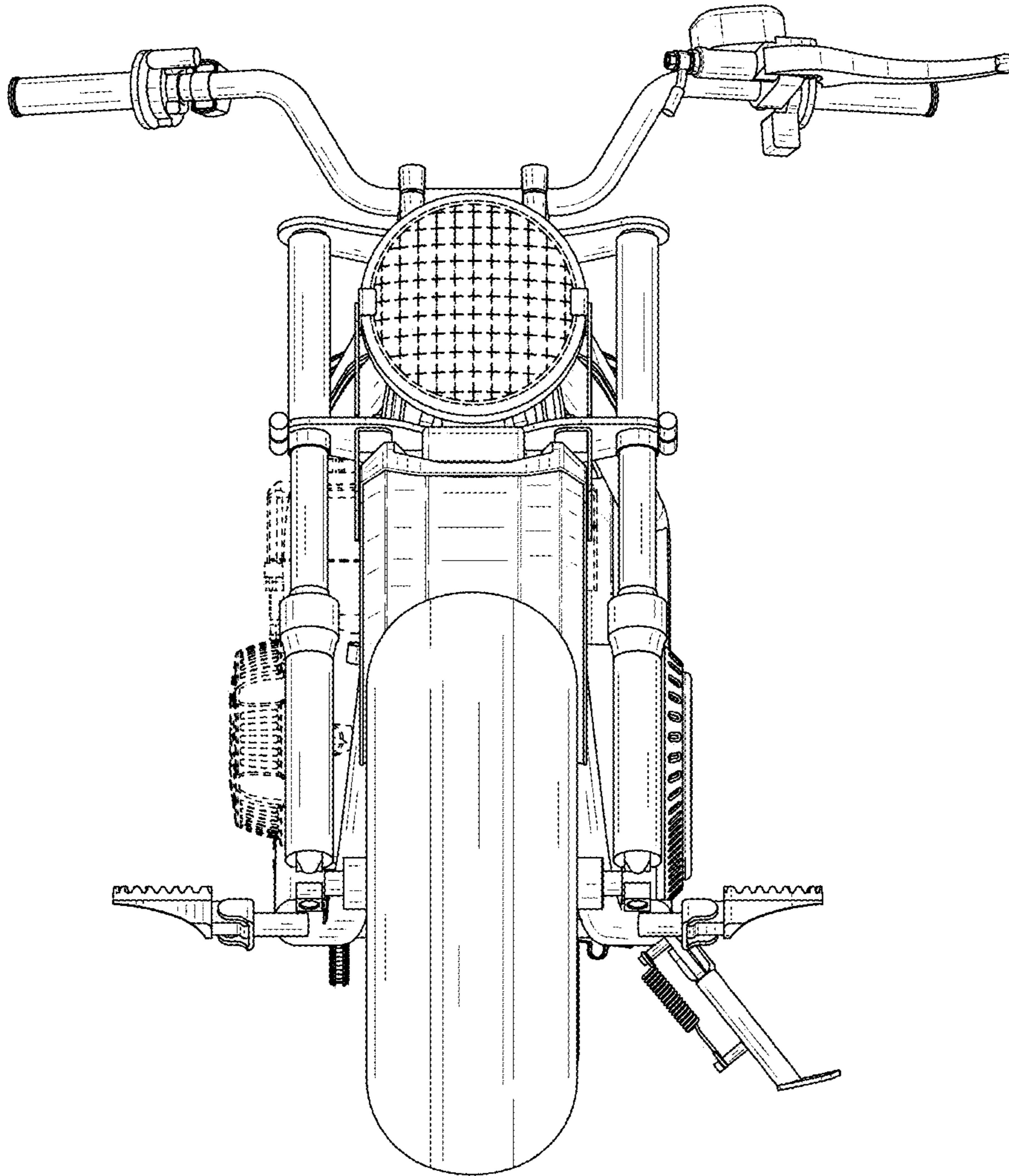


FIG. 5

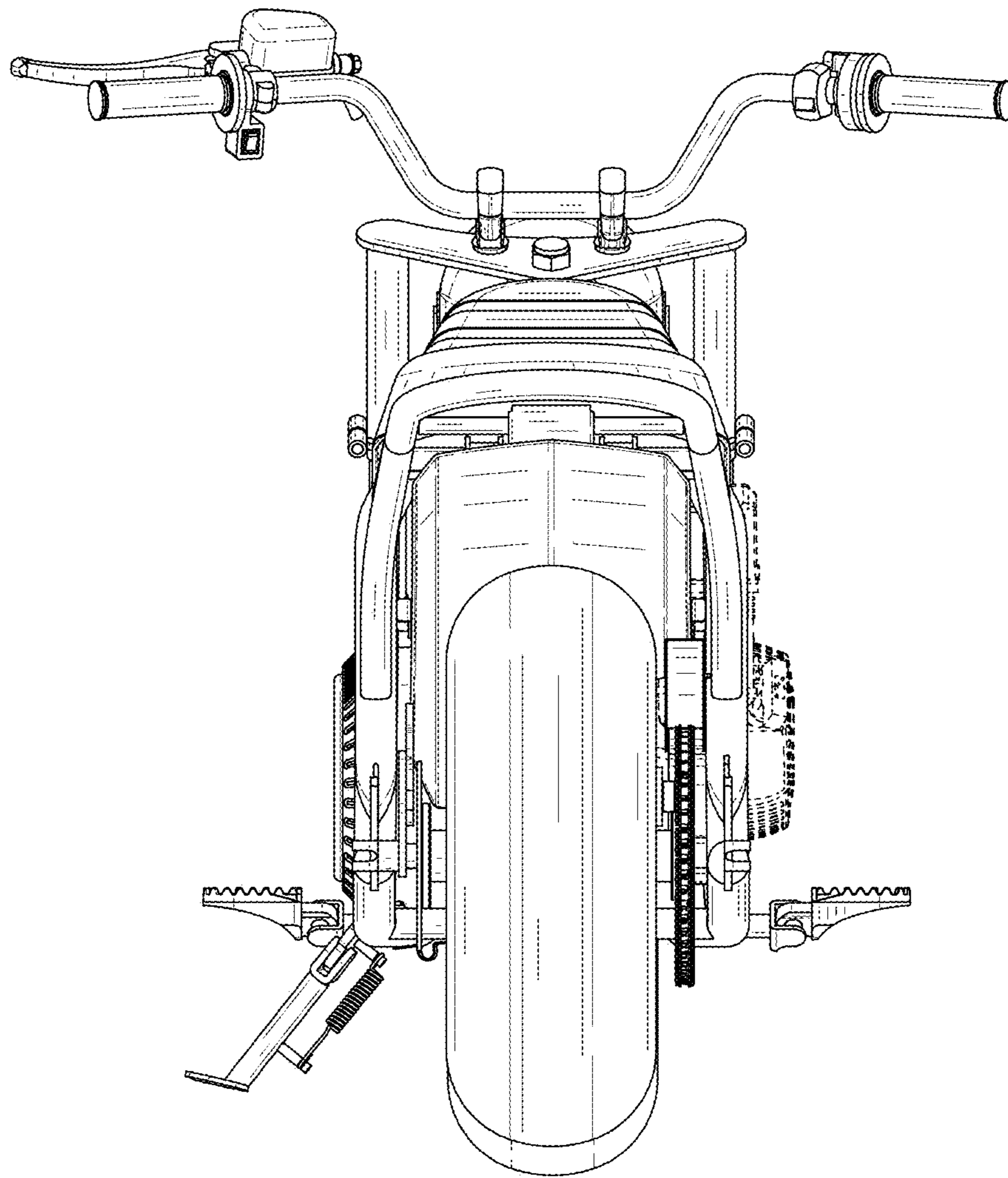


FIG. 6



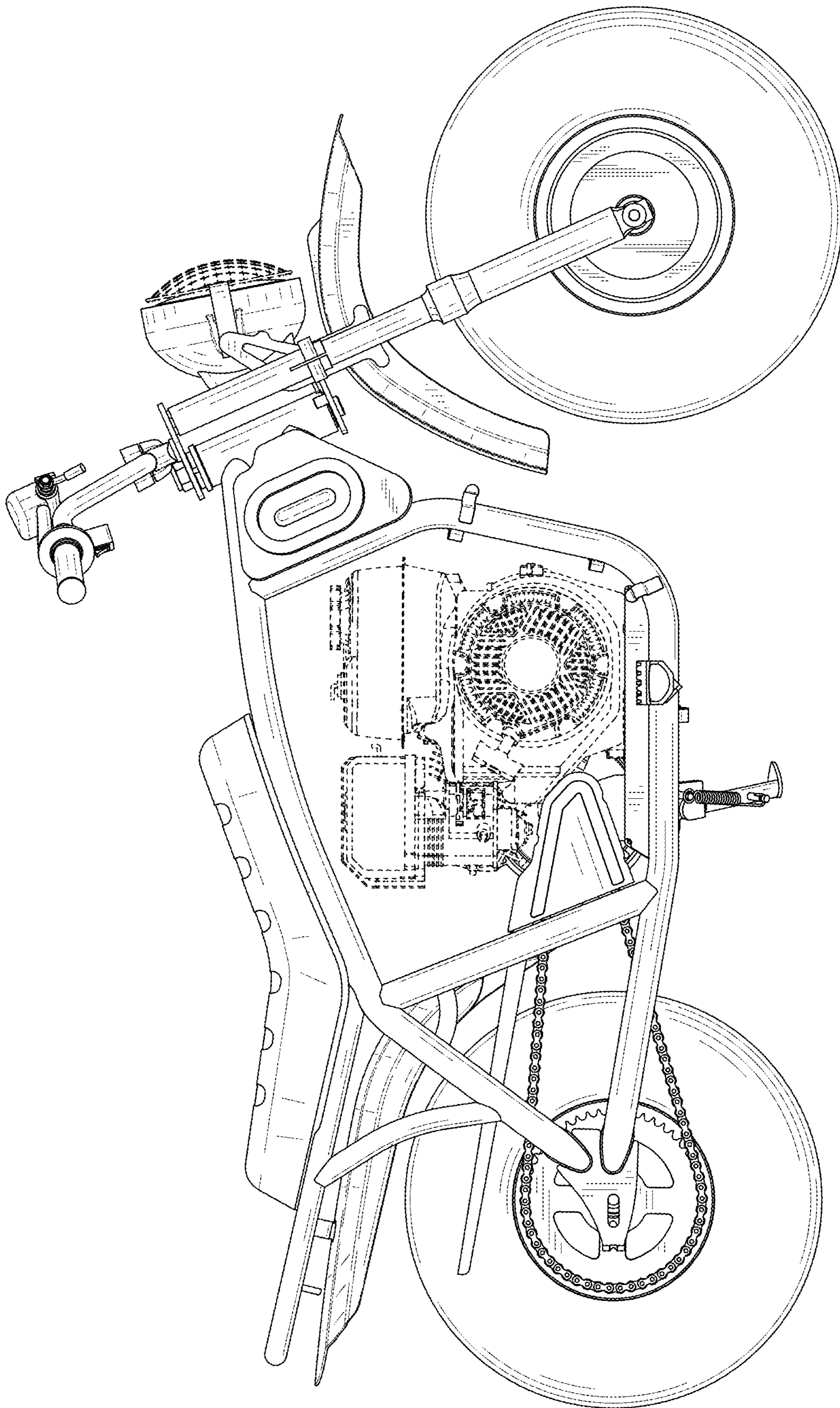


FIG. 7

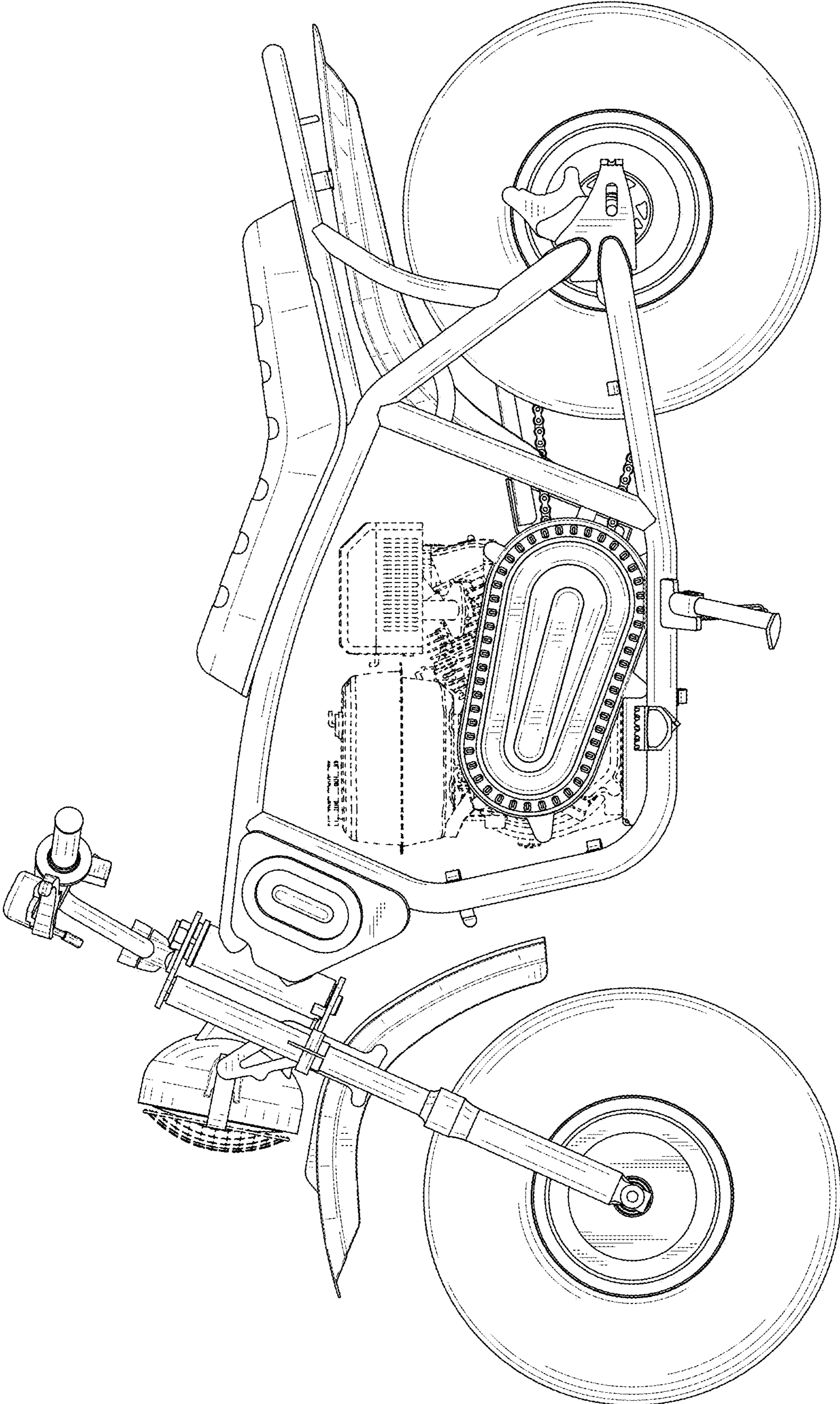


FIG. 8

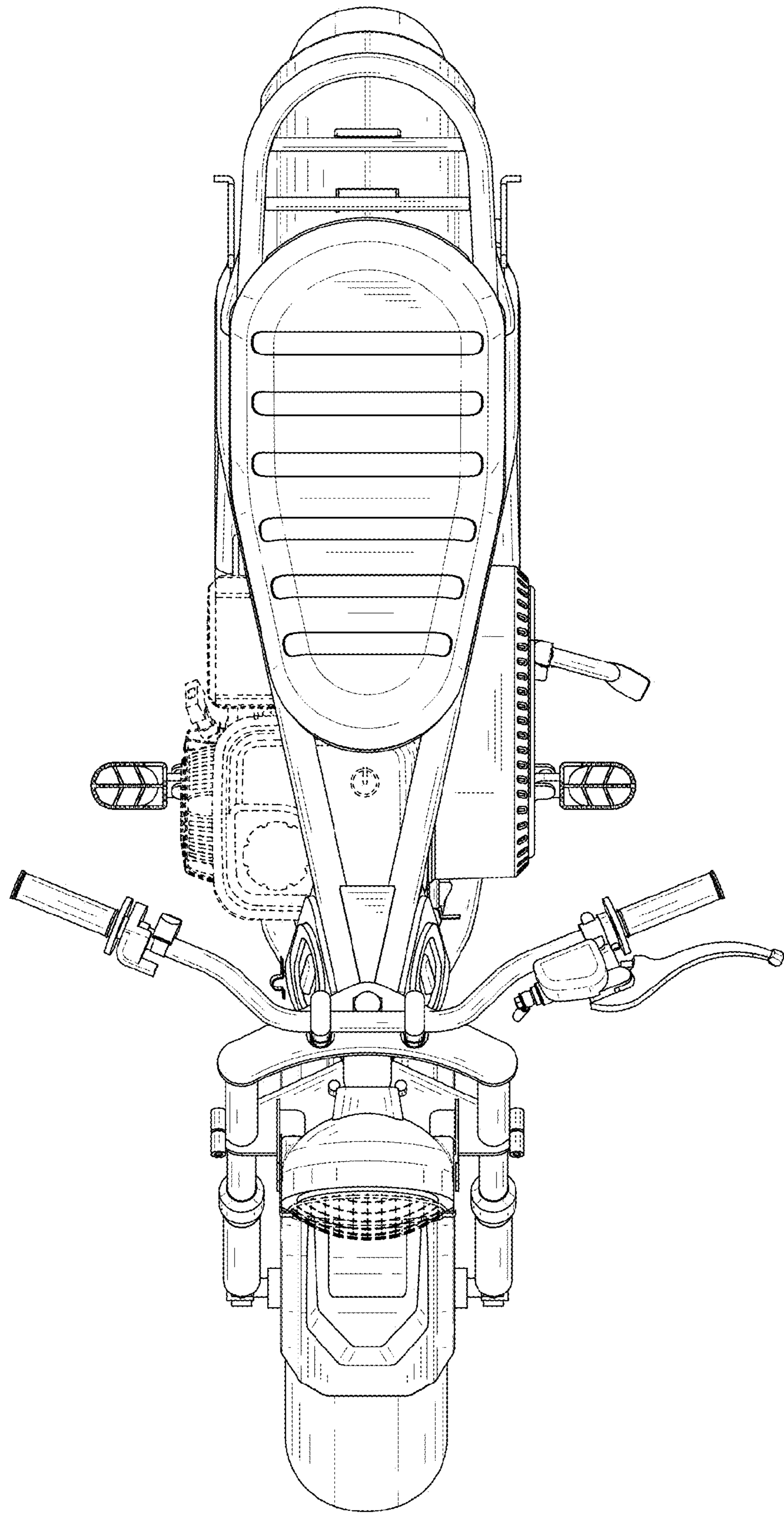


FIG. 9

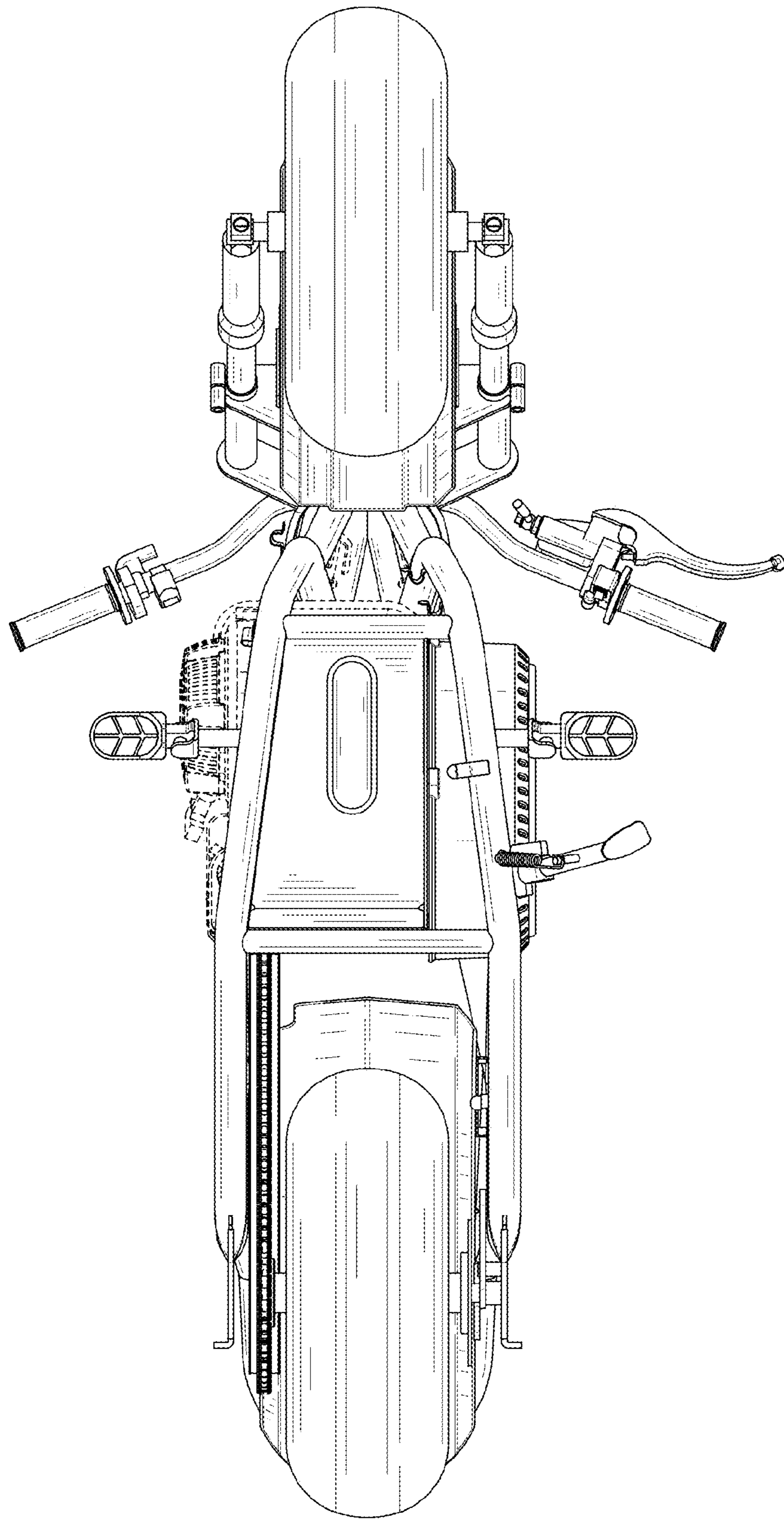


FIG. 10

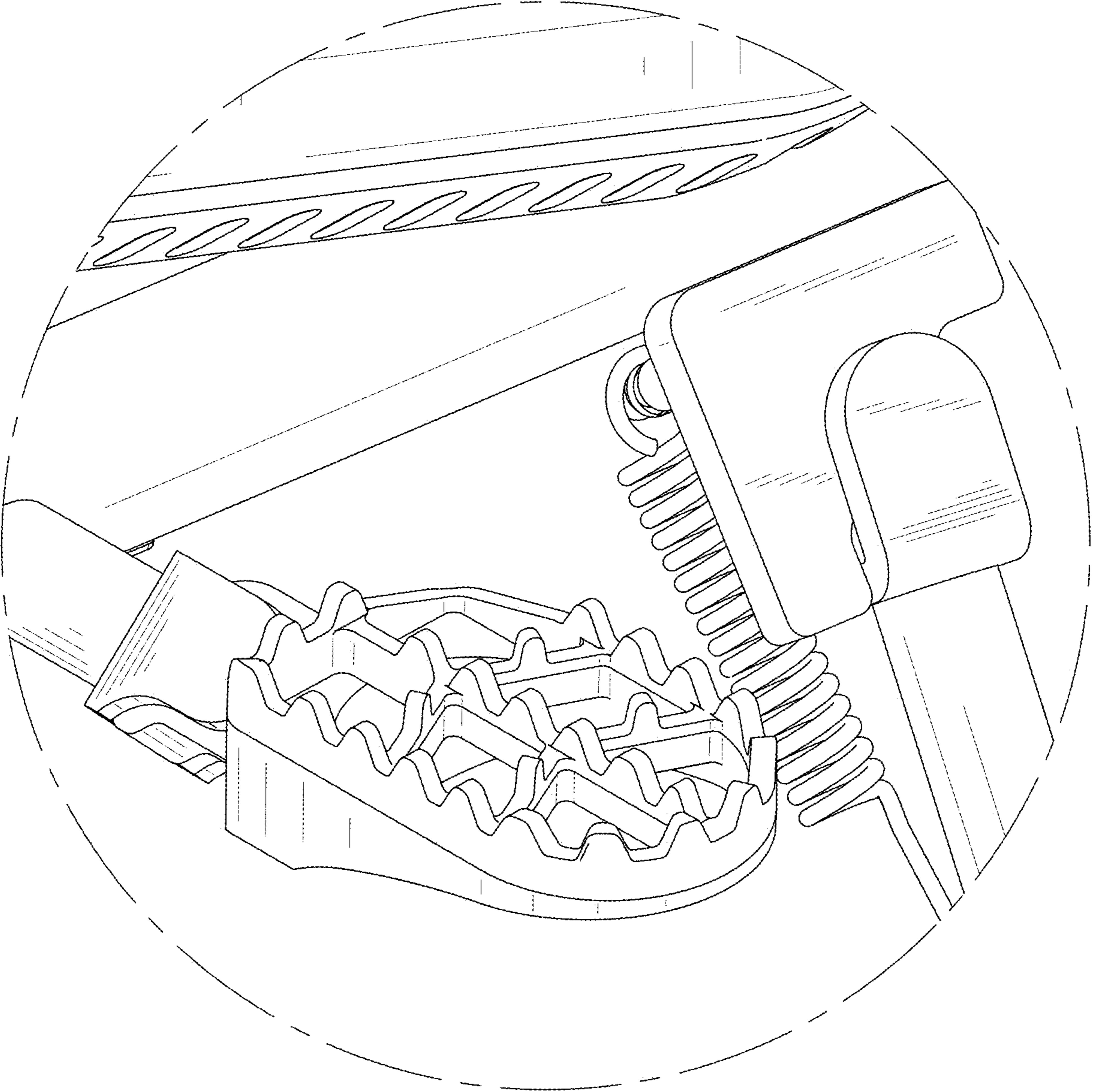


FIG. 11

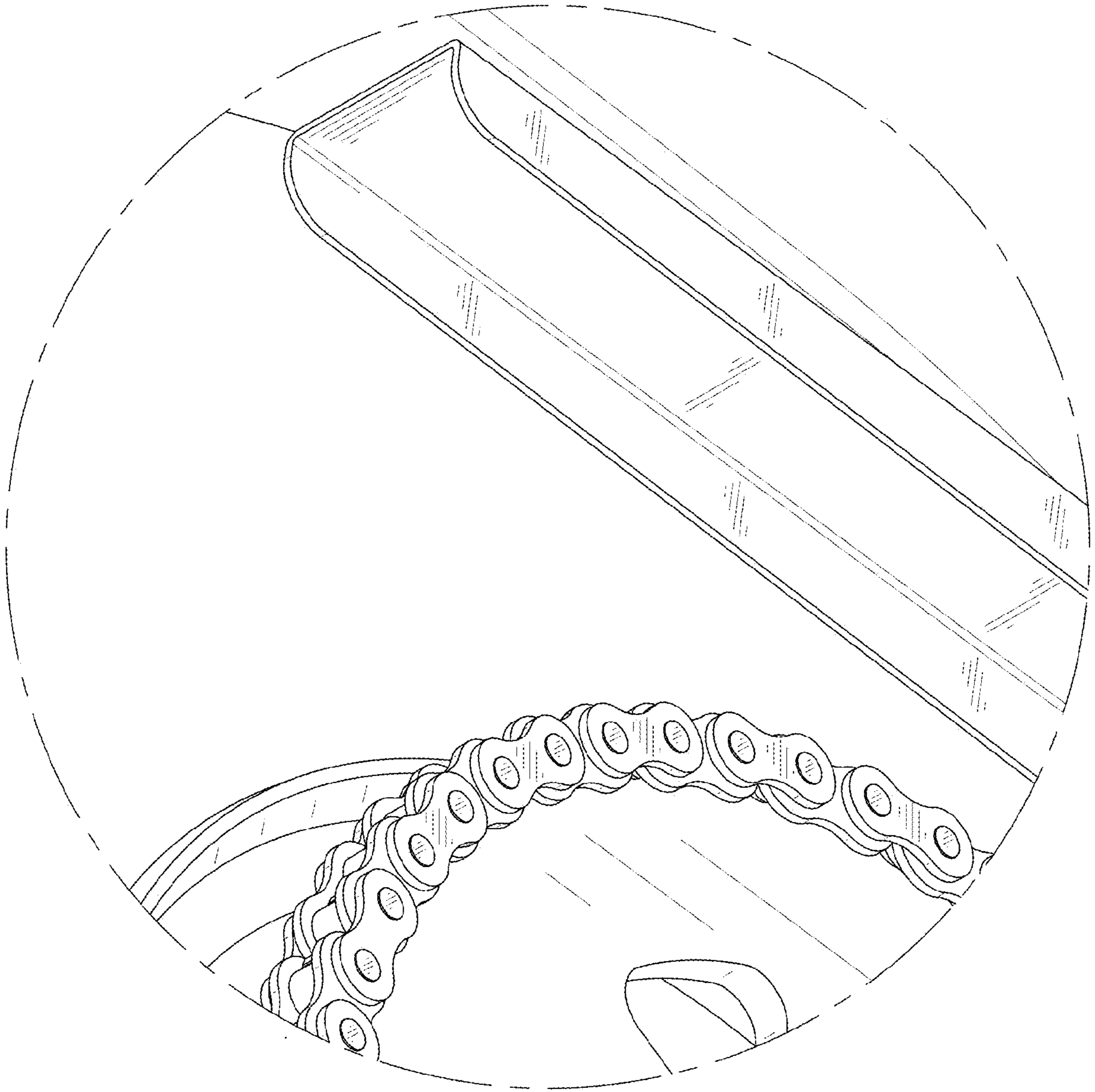


FIG. 12