



US00D984928S

(12) **United States Design Patent**
Lou et al.

(10) **Patent No.:** **US D984,928 S**

(45) **Date of Patent:** **** May 2, 2023**

(54) **ALL TERRAIN VEHICLE**

(71) Applicant: **ZHEJIANG TAOTAO VEHICLES CO., LTD.**, Zhejiang (CN)

(72) Inventors: **Guidong Lou**, Zhejiang (CN); **Jie Xu**, Zhejiang (CN); **Junhui Li**, Zhejiang (CN); **Yali Ying**, Zhejiang (CN); **Wenbin Huang**, Zhejiang (CN)

(73) Assignee: **ZHEJIANG TAOTAO VEHICLES CO., LTD.**, Lishui (CN)

(**) Term: **15 Years**

(21) Appl. No.: **29/803,287**

(22) Filed: **Aug. 12, 2021**

(30) **Foreign Application Priority Data**

Jul. 5, 2021 (CN) 202130421447.7

(51) **LOC (14) Cl.** **12-11**

(52) **U.S. Cl.**
USPC **D12/107**

(58) **Field of Classification Search**
USPC D12/3, 86, 87, 107, 110
CPC B60K 5/12; B60K 13/04; B60K 17/354
See application file for complete search history.

(56) **References Cited**

U.S. PATENT DOCUMENTS

D297,132 S *	8/1988	Ryuzoji	D12/107
D298,811 S *	12/1988	Morita	D12/107
D305,999 S *	2/1990	Ueda	D12/107
D374,416 S *	10/1996	Miyamoto	D12/107
D383,095 S *	9/1997	Miyamoto	D12/107
D405,029 S *	2/1999	Deutschman	D12/107
D421,935 S *	3/2000	Fujieda	D12/107
D428,363 S *	7/2000	Sugimoto	D12/107

D429,663 S *	8/2000	Tamashima	D12/107
D436,559 S *	1/2001	Fujieda	D12/107
D480,991 S *	10/2003	Rondeau	D12/107
D492,916 S *	7/2004	Rondeau	D12/107
D493,750 S *	8/2004	Crepeau	D12/107

(Continued)

OTHER PUBLICATIONS

Donya Cheng. "Brave 200 ATV 200cc Review | ATV Motor |ATV Off Road | Coolest ATV | TaoTao Raptor 200 ATV |." Youtube., Apr. 15, 2020 [online], [retrieved on Nov. 2, 2022]. Retrieved from the Internet <URL: <https://www.youtube.com/watch?v=aYrOufLrPqo>>.*

(Continued)

Primary Examiner — Darlington Ly

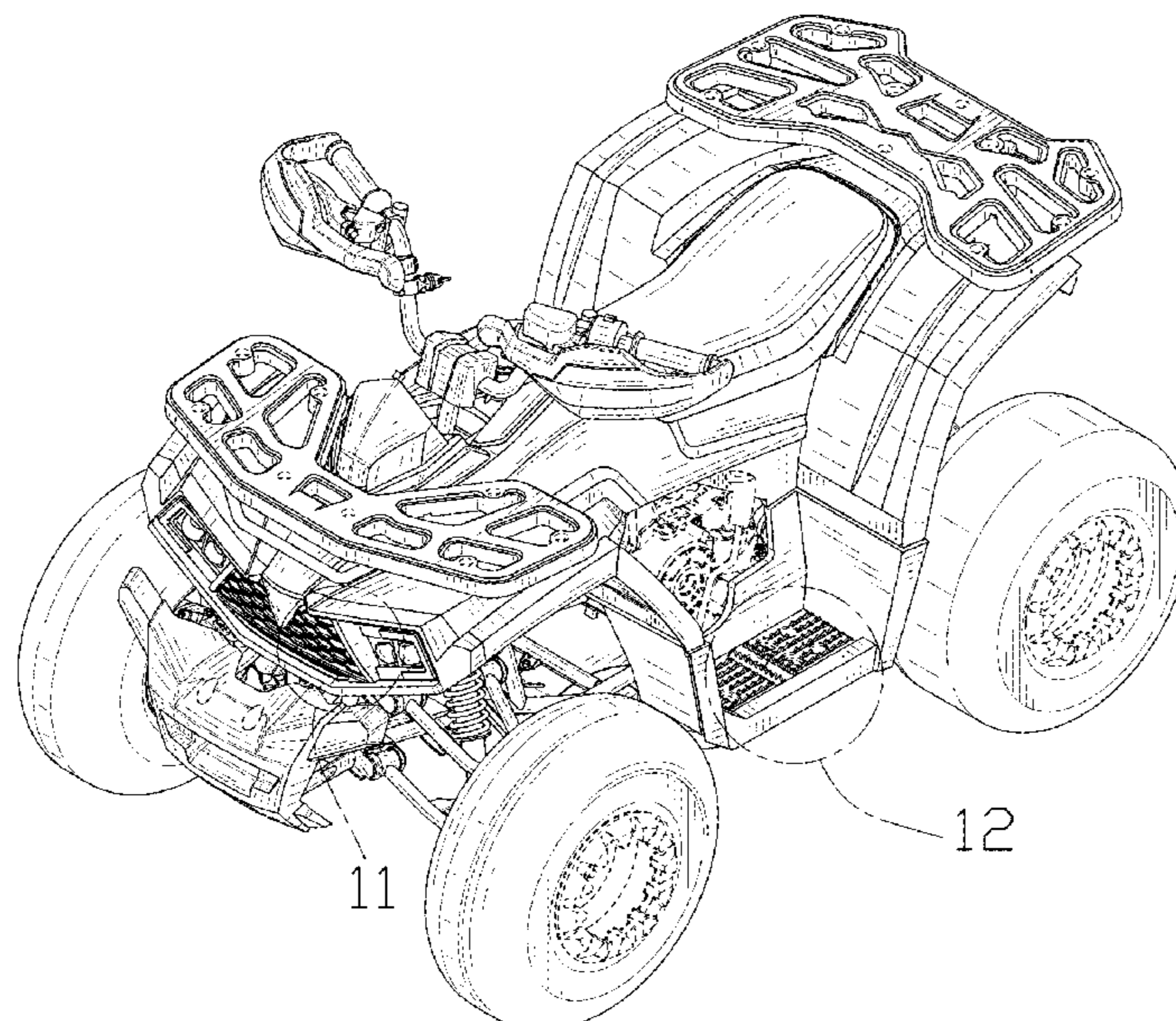
(57) **CLAIM**

The ornamental design for an all terrain vehicle, as shown and described.

DESCRIPTION

FIG. 1 is a top, front and right side perspective view of an all terrain vehicle showing our new design;
FIG. 2 is a top, rear and left side perspective view thereof;
FIG. 3 is a bottom, rear and right side perspective view thereof;
FIG. 4 is a bottom, rear and left side perspective view thereof;
FIG. 5 is a front elevational view thereof;
FIG. 6 is a rear elevational view thereof;
FIG. 7 is a left side view thereof;
FIG. 8 is a right side view thereof;
FIG. 9 is a top plan view thereof;
FIG. 10 is a bottom plan view thereof;
FIG. 11 is an enlarged view of portion 11 in FIG. 1;
FIG. 12 is an enlarged view of portion 12 in FIG. 1; and,
FIG. 13 is an enlarged view of portion 13 in FIG. 2.
The broken lines in the drawings illustrate portions of the all terrain vehicle which form no part of the claimed design.

1 Claim, 13 Drawing Sheets



(56)

References Cited

U.S. PATENT DOCUMENTS

D496,308 S * 9/2004 Wu D12/107
 D511,717 S * 11/2005 Lin D12/107
 D513,718 S * 1/2006 Itaya D12/107
 D516,467 S * 3/2006 Wu D12/107
 D517,951 S * 3/2006 Luh D12/107
 D517,952 S * 3/2006 Luh D12/107
 D518,759 S * 4/2006 Kettler D12/107
 D520,912 S * 5/2006 Knight D12/107
 D520,914 S * 5/2006 Luh D12/107
 D522,924 S * 6/2006 Yokoyama D12/107
 D523,782 S * 6/2006 Lin D12/107
 D529,414 S * 10/2006 Wu D12/107
 D531,088 S * 10/2006 Lin D12/107
 D532,339 S * 11/2006 Hishiki D12/107
 D539,705 S * 4/2007 Ichikawa D12/107
 D542,186 S * 5/2007 Lai D12/107
 D542,188 S * 5/2007 Miwa D12/107
 D561,064 S * 2/2008 Crepeau D12/107
 D584,661 S * 1/2009 Tanaka D12/107
 D585,792 S * 2/2009 Chao D12/107
 D592,556 S * 5/2009 Mehra D12/107
 D592,557 S * 5/2009 Mehra D12/107
 D595,188 S * 6/2009 Tandrup D12/107
 D596,080 S * 7/2009 Lai D12/107
 D597,890 S * 8/2009 Lai D12/107
 D599,250 S * 9/2009 Hirano D12/107
 D599,251 S * 9/2009 Yin D12/107
 D606,905 S * 12/2009 Yao D12/107
 D609,136 S * 2/2010 Renchuan D12/107
 D620,399 S * 7/2010 Wu D12/107

D628,520 S * 12/2010 Lin D12/107
 D638,755 S * 5/2011 Bracy D12/107
 D640,604 S * 6/2011 Lai D12/107
 D640,605 S * 6/2011 Lai D12/107
 D643,781 S * 8/2011 Nagao D12/107
 D657,720 S * 4/2012 Eck D12/107
 D657,721 S * 4/2012 Miyanishi D12/107
 D668,184 S * 10/2012 Tashiro D12/107
 D671,037 S * 11/2012 Wu D12/107
 D674,728 S * 1/2013 Matsumura D12/107
 D680,468 S * 4/2013 Li D12/107
 D680,469 S * 4/2013 Li D12/107
 D691,519 S * 10/2013 Fisher D12/107
 D694,671 S * 12/2013 Lai D12/107
 8,596,398 B2 * 12/2013 Bennett B60G 3/20
 180/90.6
 D721,300 S * 1/2015 Li D12/107
 D735,615 S * 8/2015 Itaya D12/107
 D751,467 S * 3/2016 Lai D12/107
 D761,698 S * 7/2016 Umemoto D12/87
 D774,955 S * 12/2016 Lai D12/107
 D774,957 S * 12/2016 Umemoto D12/107
 2014/0262584 A1 * 9/2014 Lovold B60K 17/354
 180/246

OTHER PUBLICATIONS

Scooter ATV Sales. "Tao Raptor 200 ATV Review In Grey Orange." Youtube., Apr. 8, 2020 [online], [retrieved on Nov. 2, 2022]. Retrieved from the Internet <URL: <https://www.youtube.com/watch?v=FltN0Pj16IQ>>.*

* cited by examiner

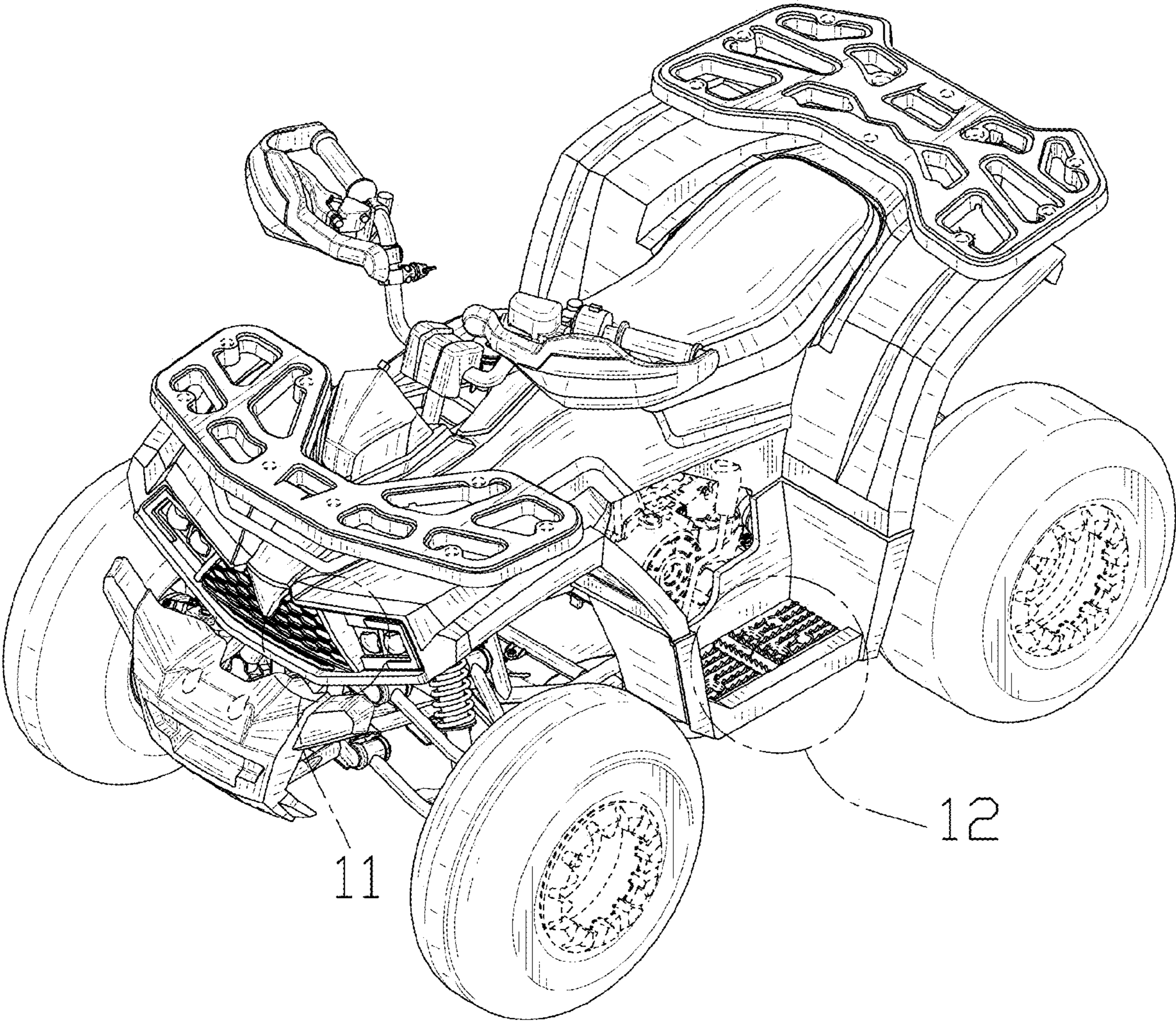


FIG. 1

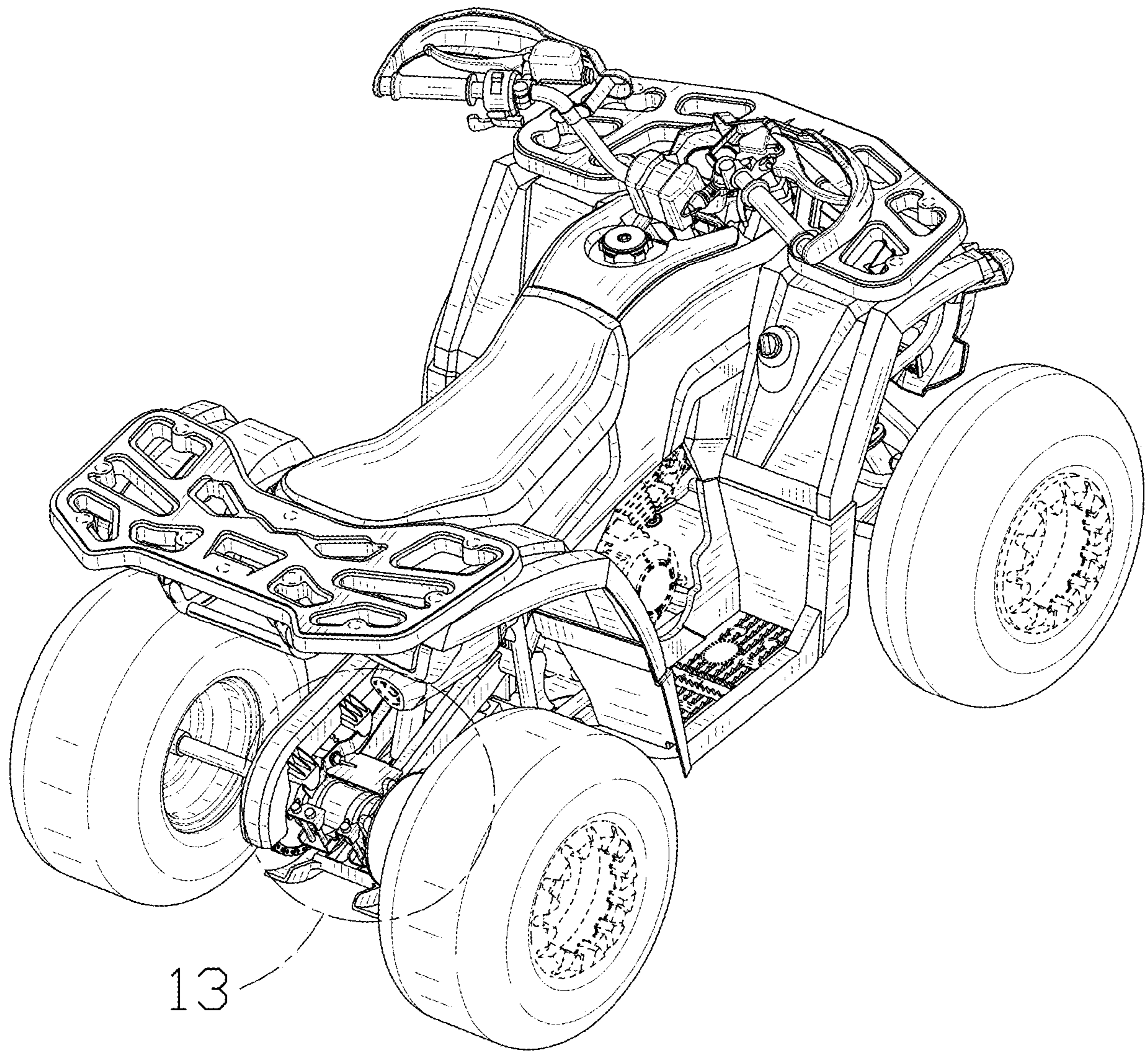


FIG. 2

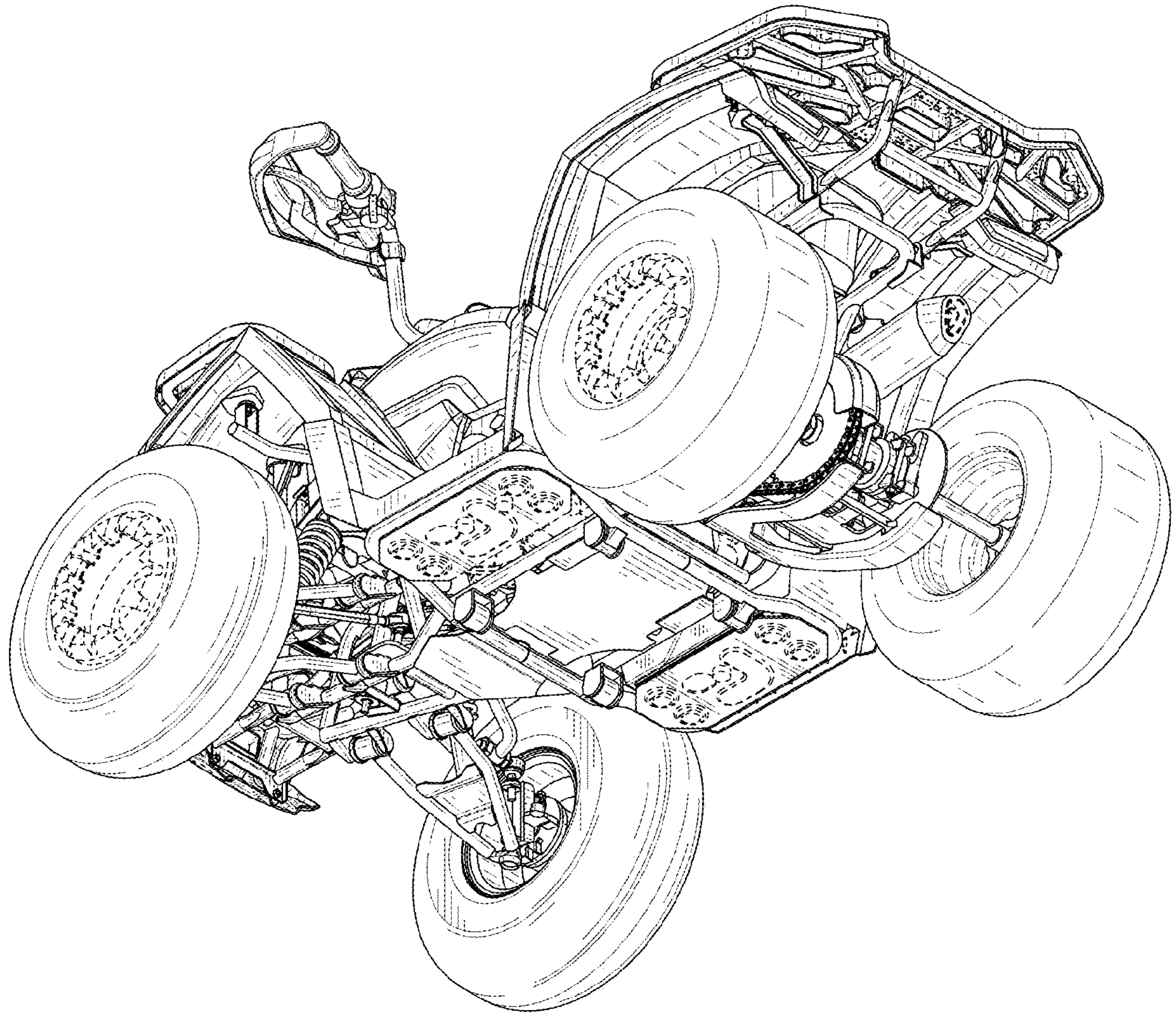


FIG. 3

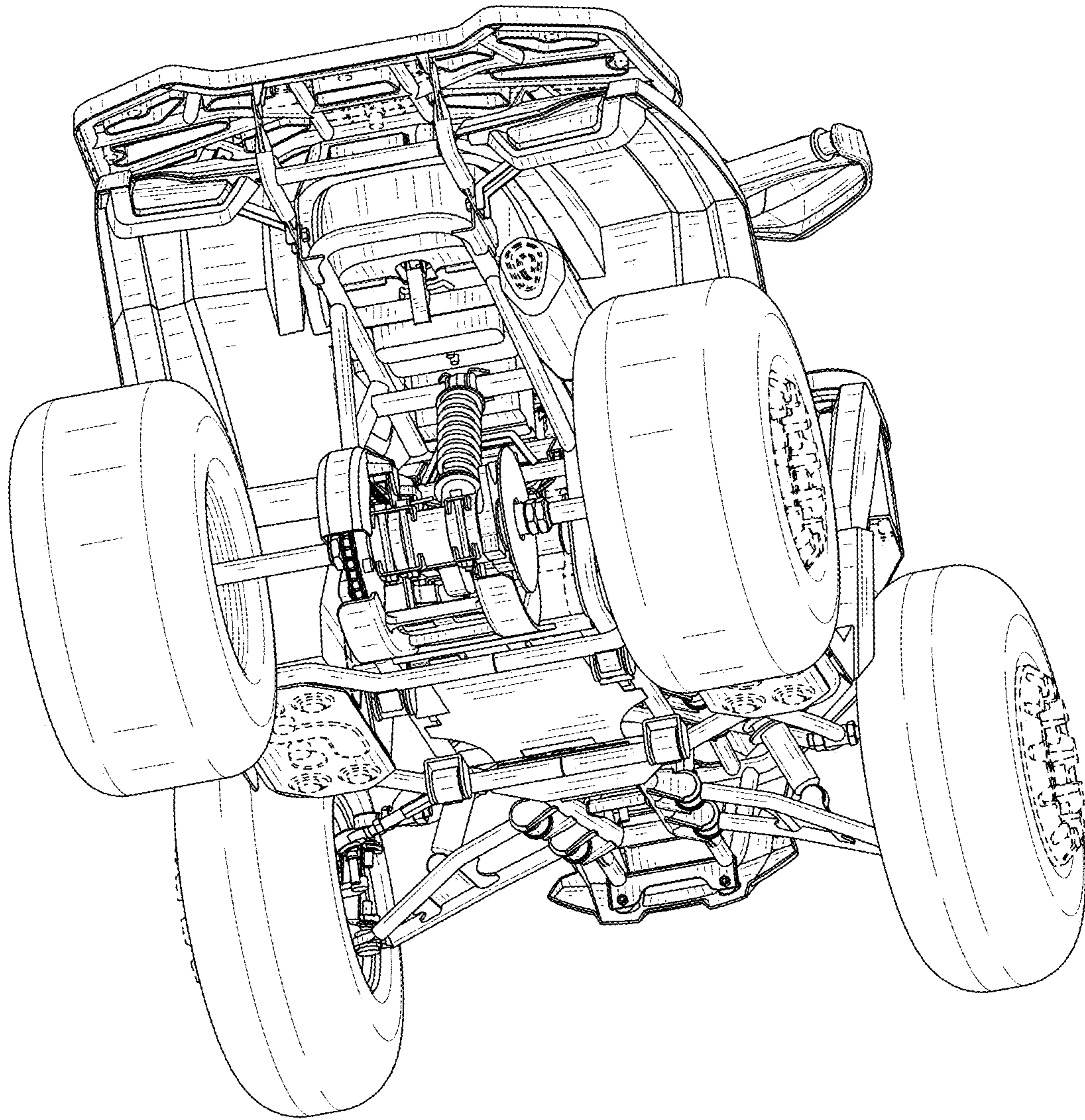


FIG. 4

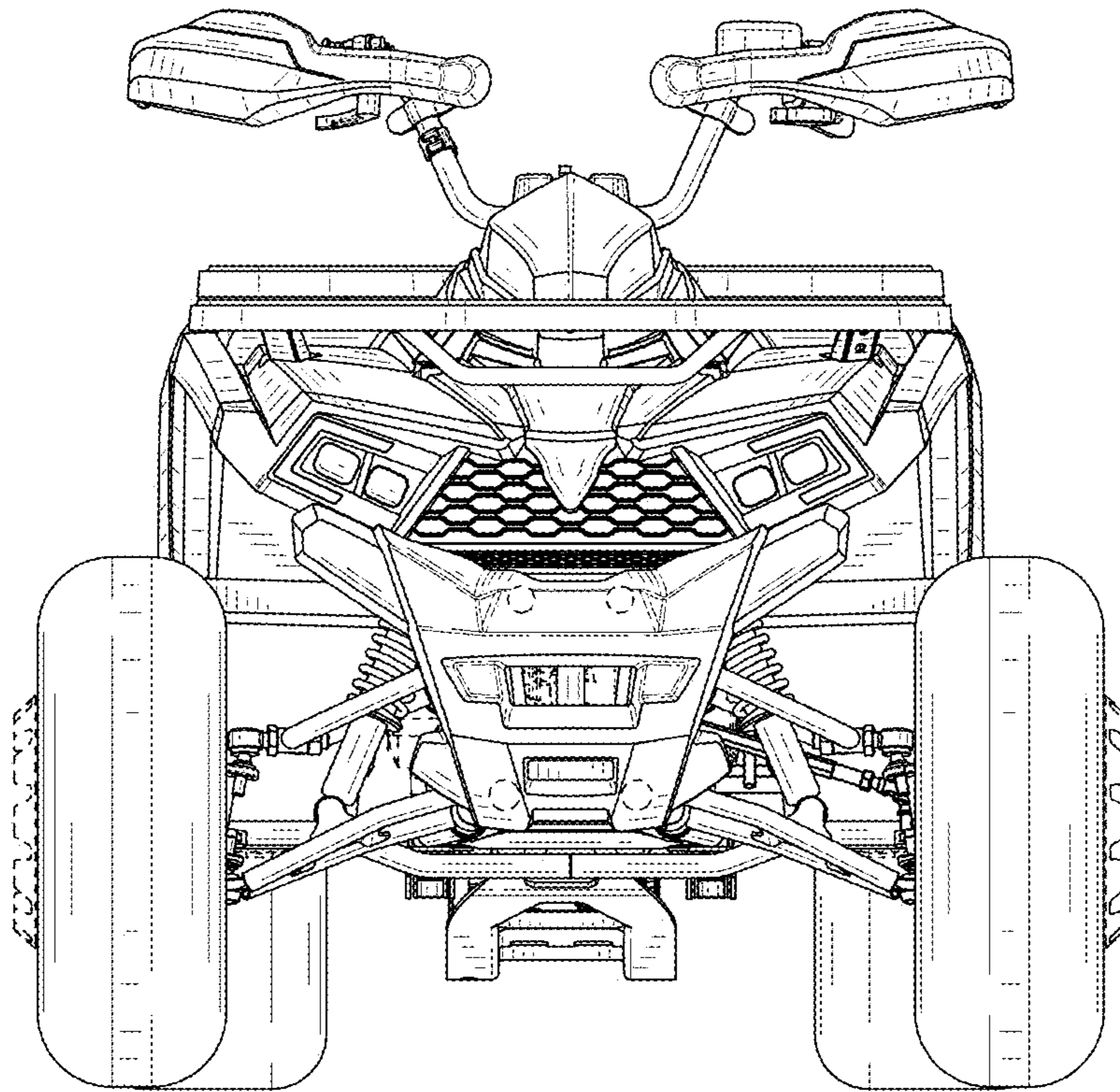


FIG. 5

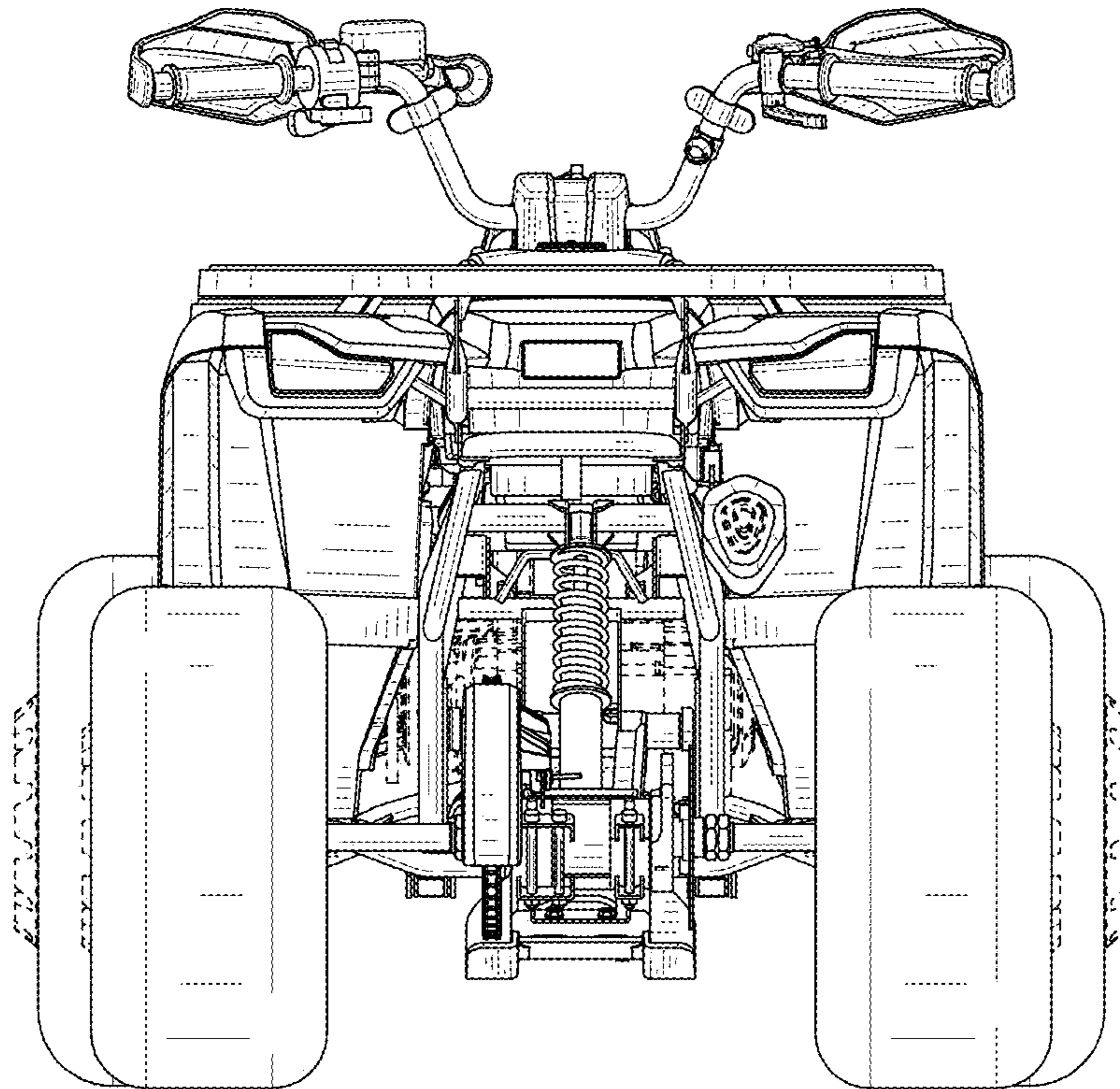


FIG. 6

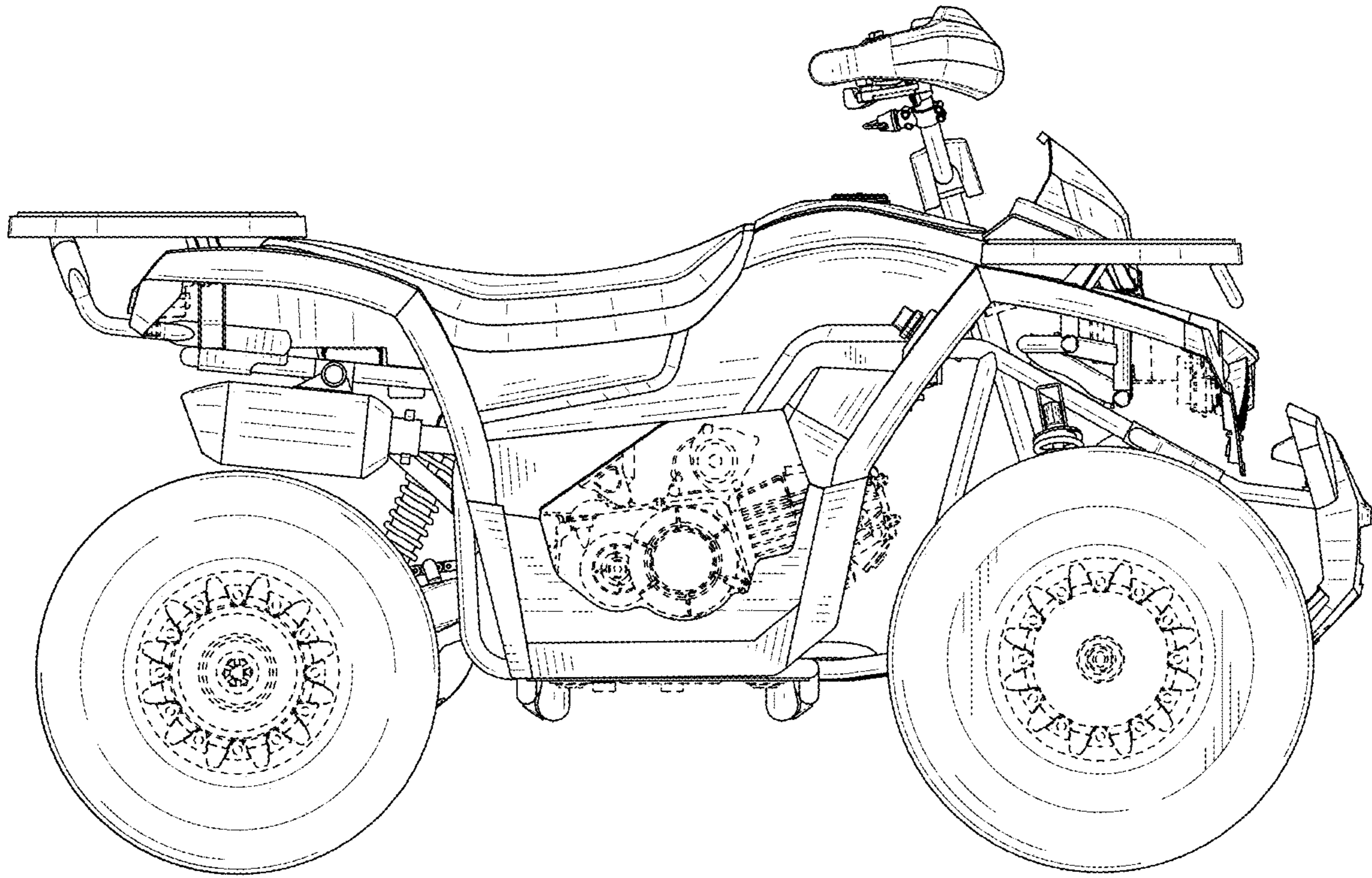


FIG. 7

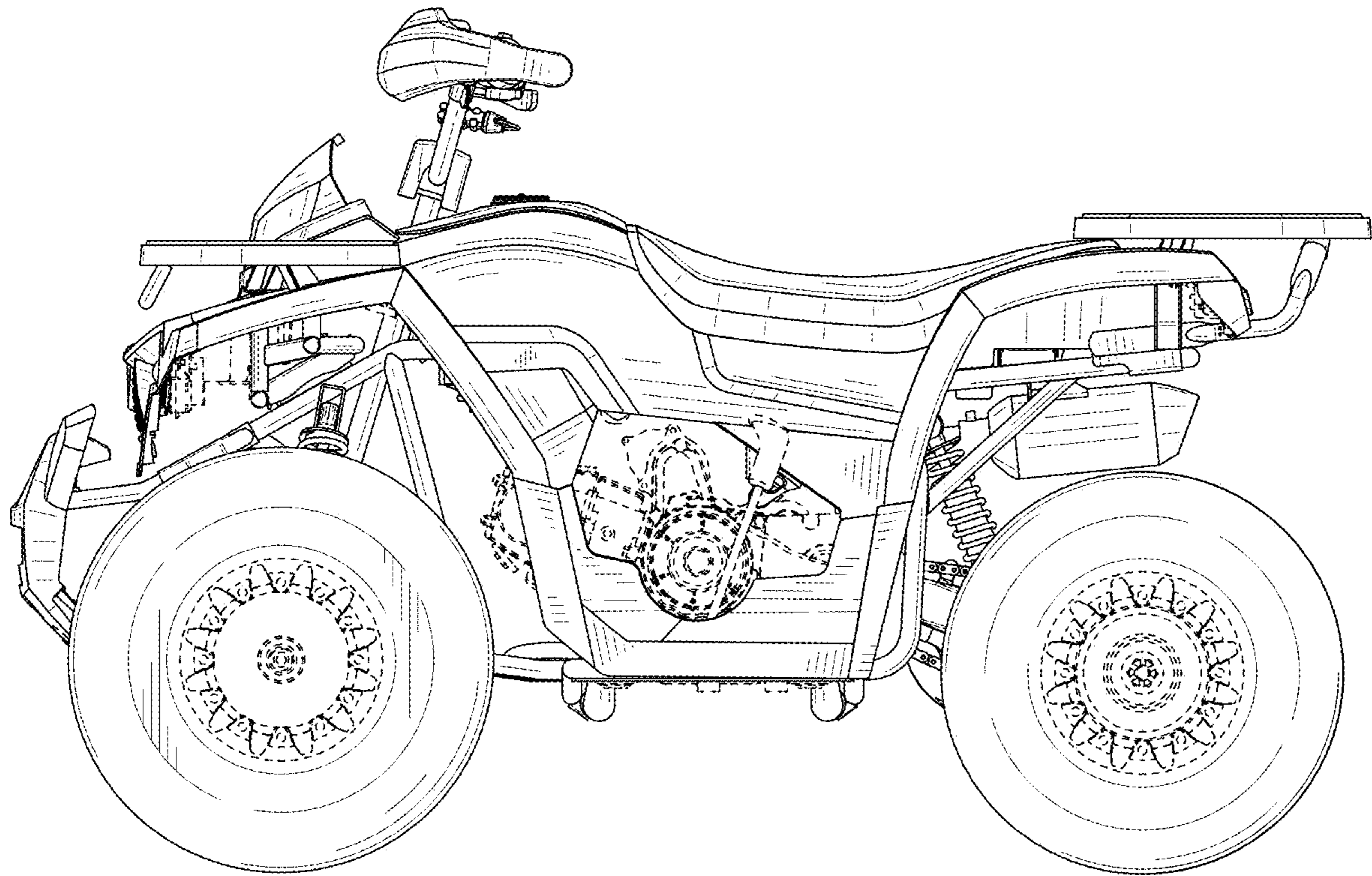


FIG. 8

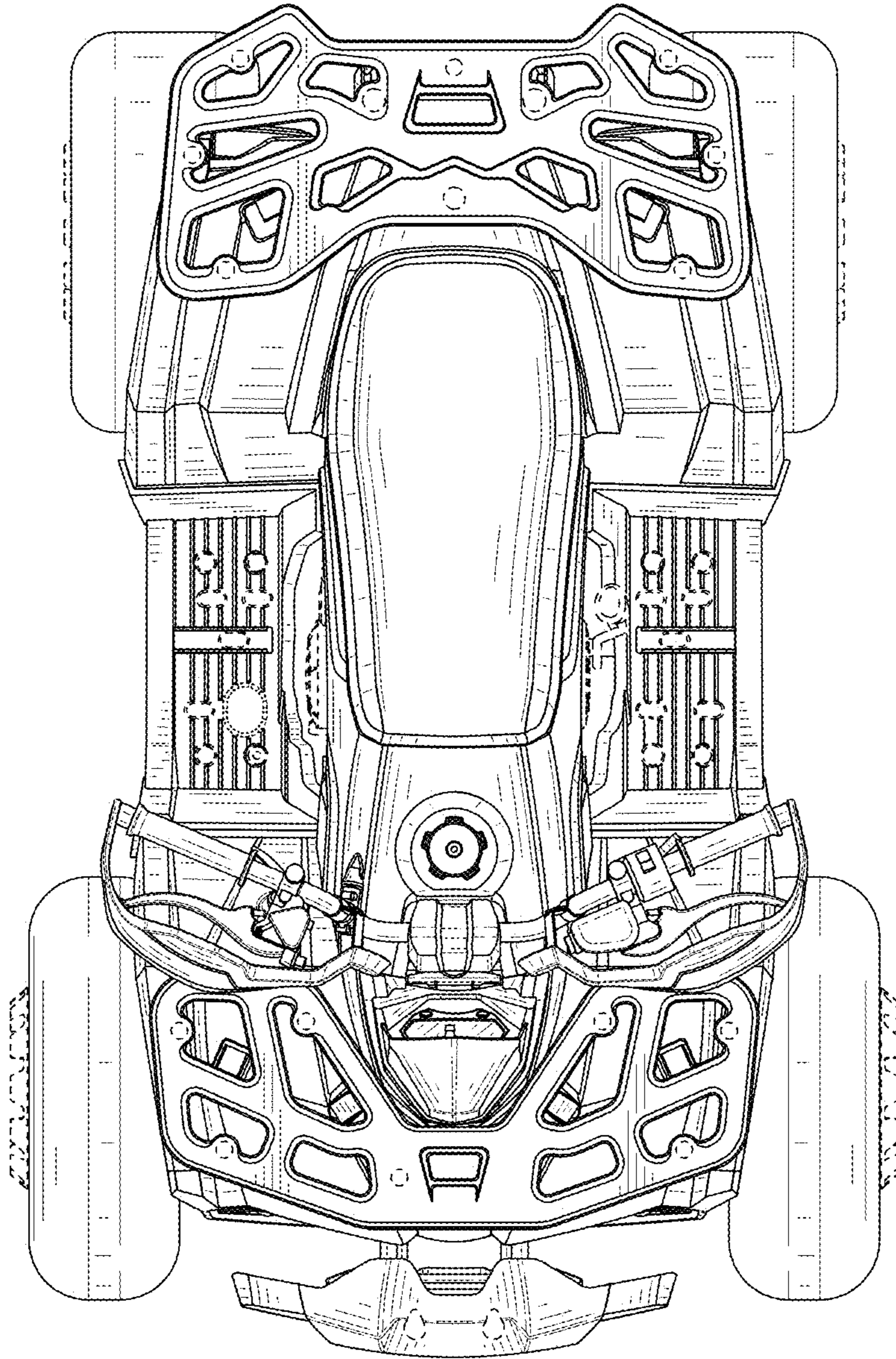


FIG. 9

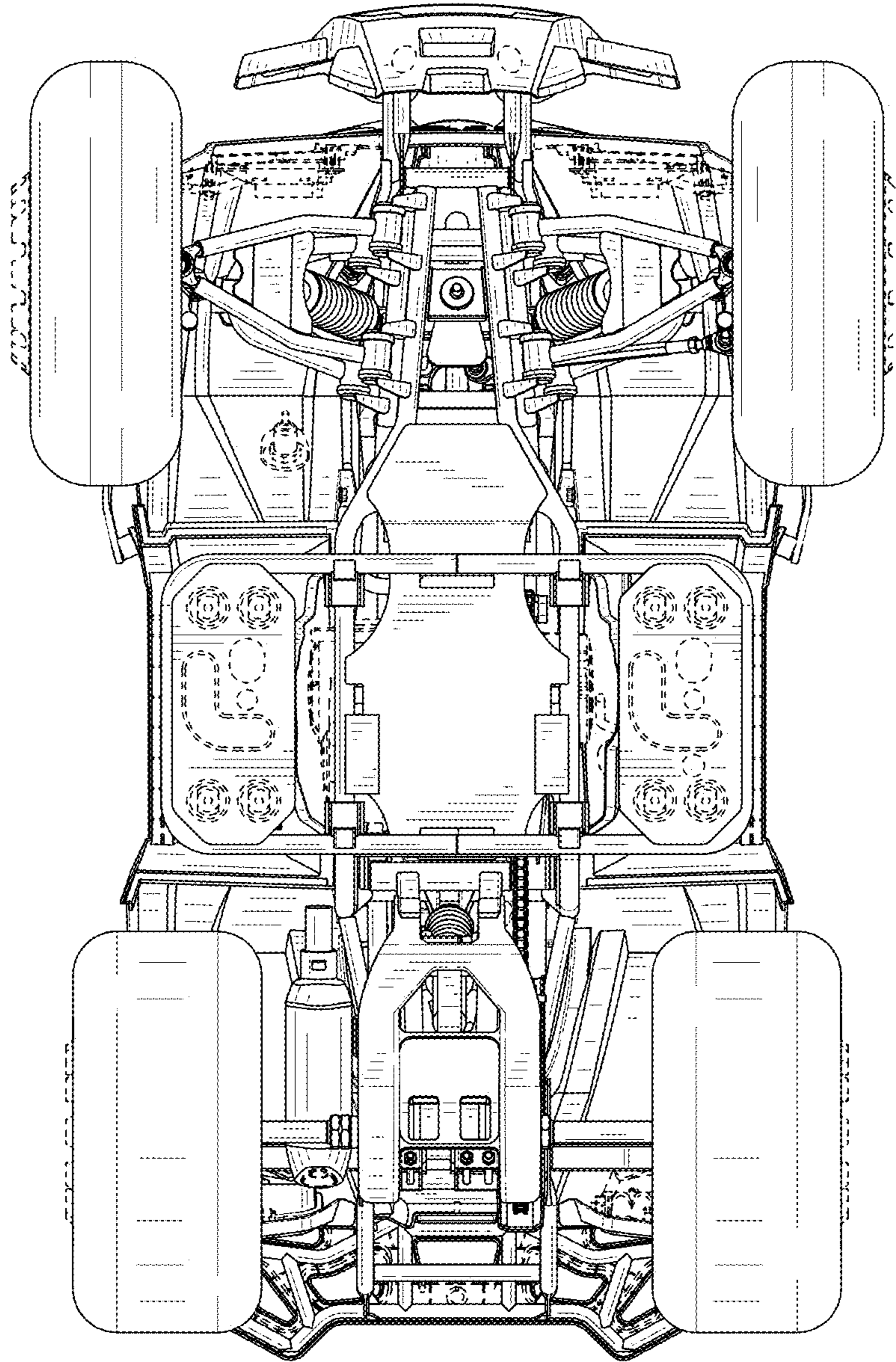


FIG. 10

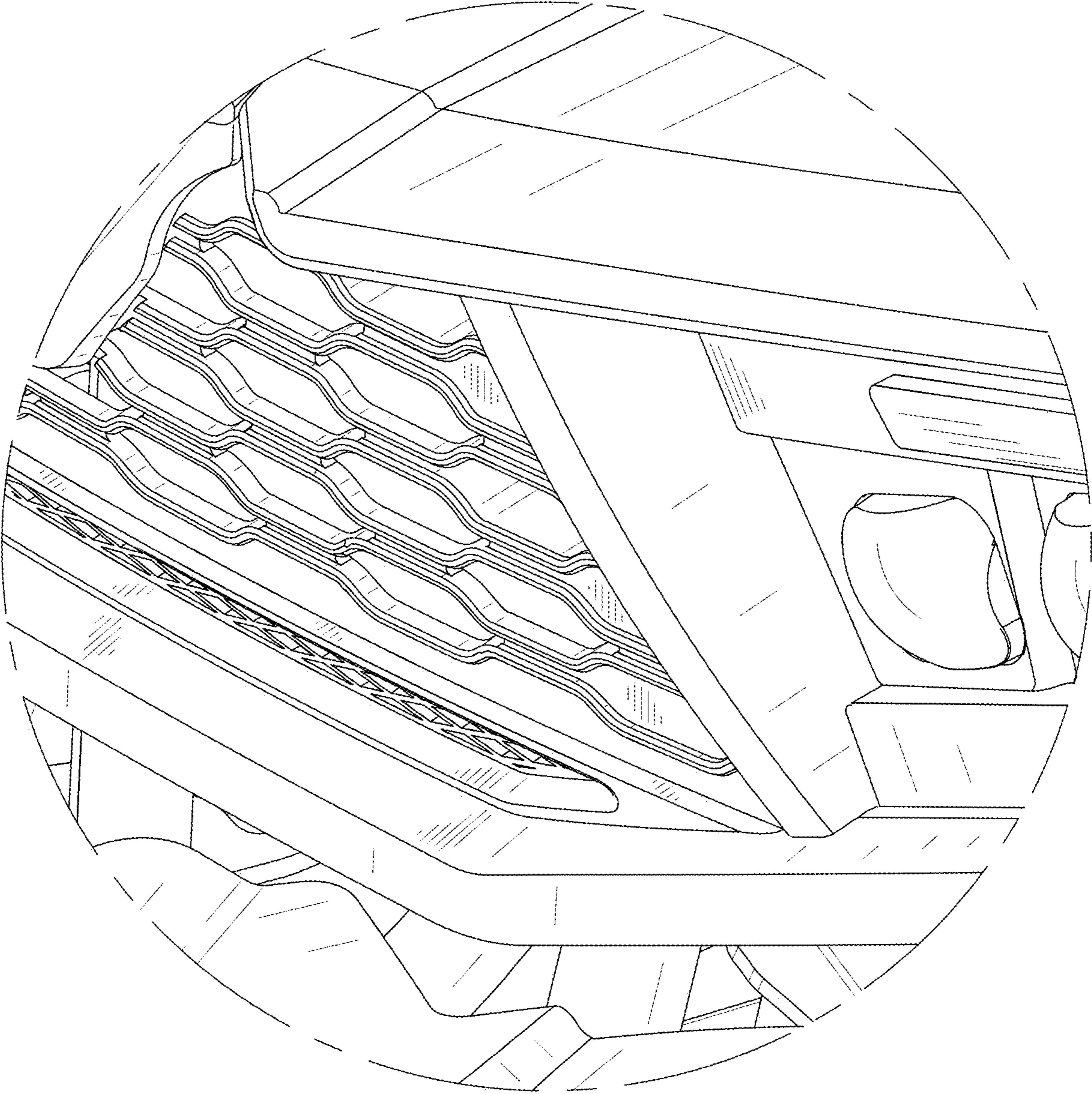


FIG. 11

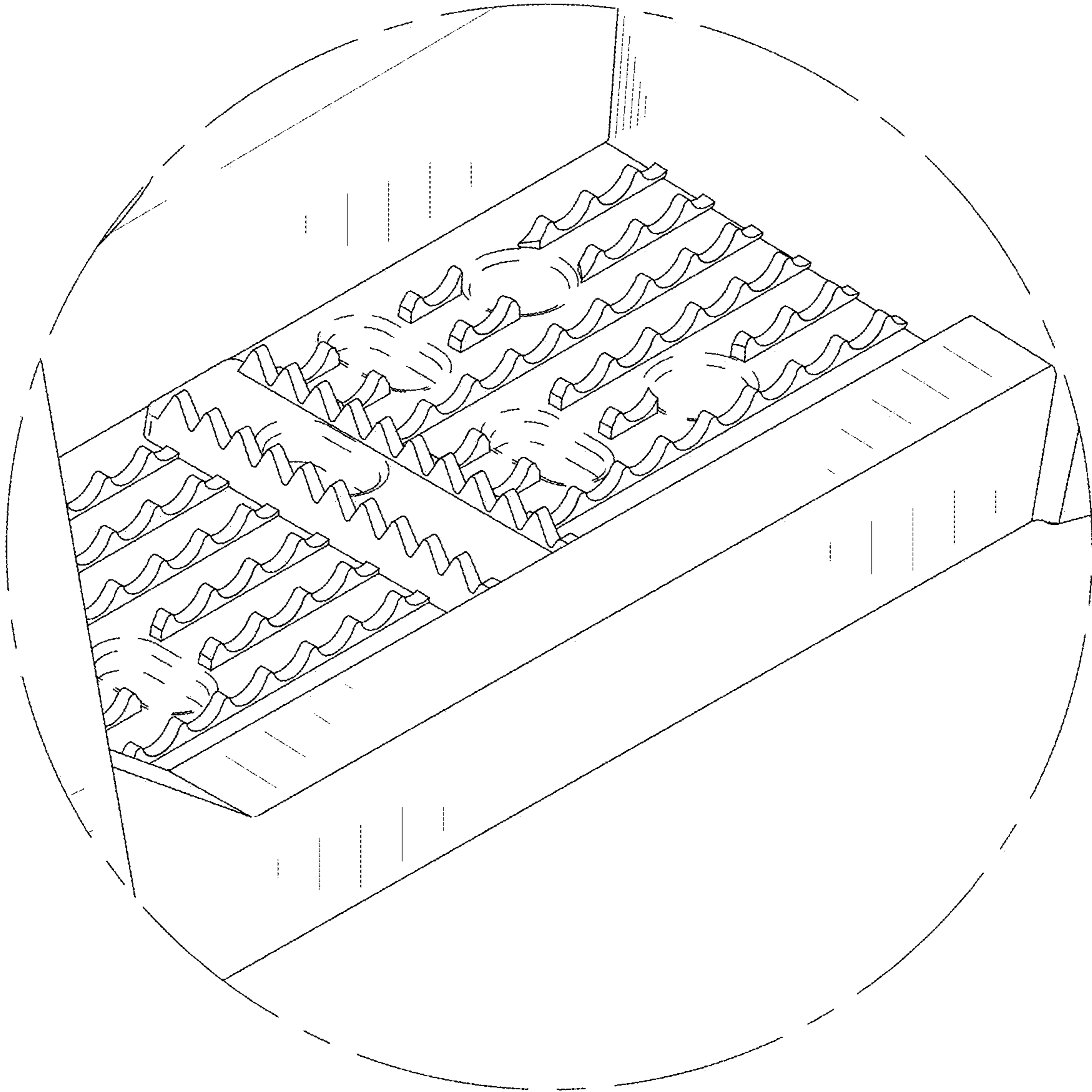


FIG. 12

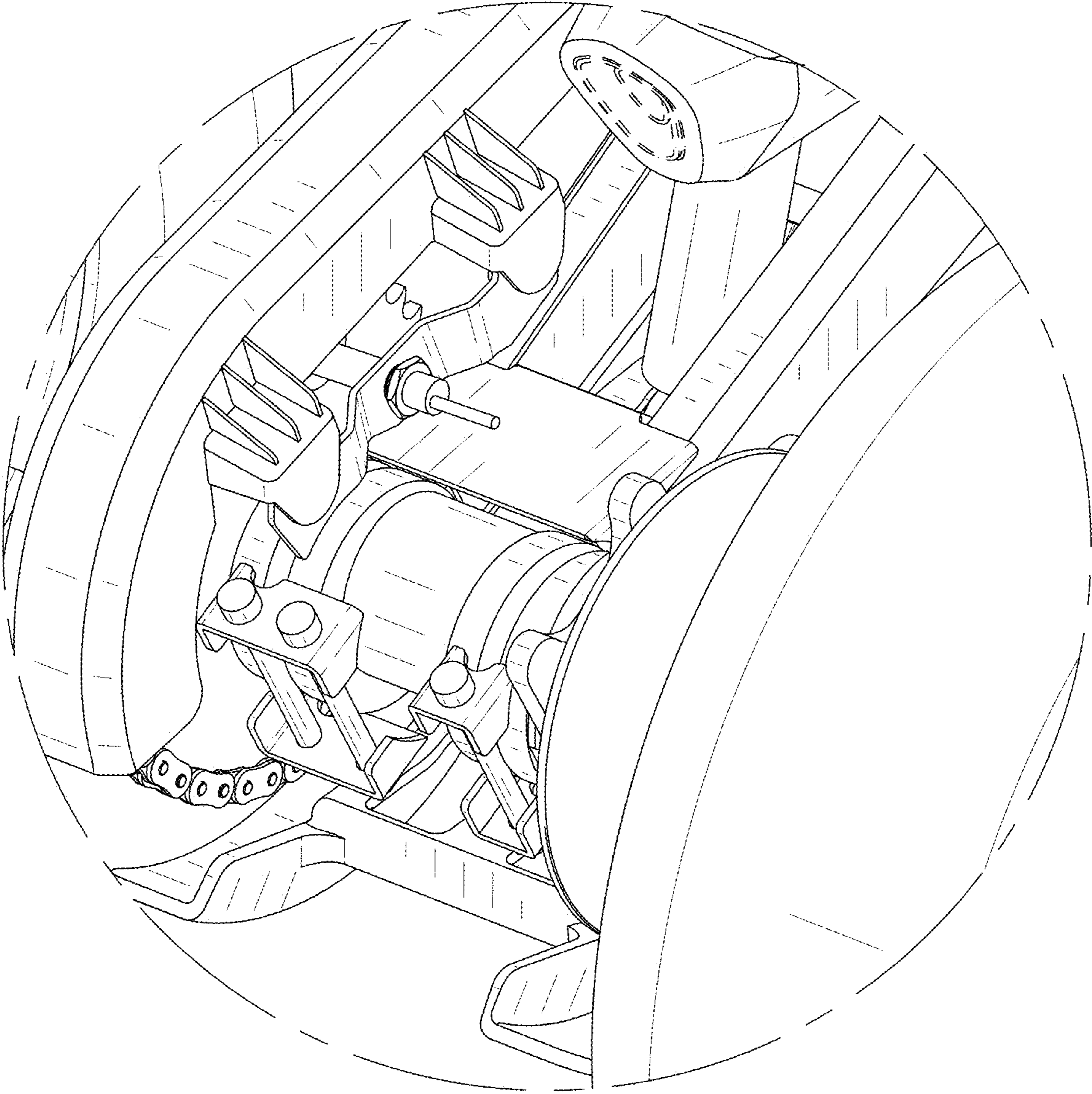


FIG. 13