



US00D984927S

(12) **United States Design Patent**  
**Larson**

(10) **Patent No.:** **US D984,927 S**  
(45) **Date of Patent:** **\*\* May 2, 2023**

(54) **MOTOR VEHICLE BODY, TOY VEHICLE BODY REPLICAS AND/OR OTHER REPLICAS**

(71) Applicant: **Dr. Ing. h.c. F. Porsche Aktiengesellschaft, Stuttgart (DE)**

(72) Inventor: **Grant Larson, Stuttgart (DE)**

(73) Assignee: **Dr. Ing. h.c. F. Porsche Aktiengesellschaft**

(\*\*) Term: **15 Years**

(21) Appl. No.: **29/812,013**

(22) Filed: **Oct. 19, 2021**

(30) **Foreign Application Priority Data**

May 20, 2021 (EM) ..... 008546733-0001

(51) **LOC (14) Cl.** ..... **12-08**

(52) **U.S. Cl.**  
USPC ..... **D12/91**

(58) **Field of Classification Search**  
USPC .... D12/86, 90-92, 164; D21/433, 434, 533, D21/535; 296/181.1-181.5, 183.1  
CPC ..... B62D 25/00; B62D 25/06; B62D 33/00; B62D 35/00  
See application file for complete search history.

(56) **References Cited**

**U.S. PATENT DOCUMENTS**

D641,665 S 7/2011 Larson  
D663,240 S 7/2012 Scheinhütte  
D669,001 S 10/2012 Varga  
D684,896 S 6/2013 Scheinhütte  
D701,146 S 3/2014 Varga  
D704,099 S 5/2014 Varga  
D705,131 S 5/2014 Larson  
D731,929 S 6/2015 Schramm

D733,614 S 7/2015 Scheinhütte  
D753,023 S 4/2016 Villevoye  
D774,421 S 12/2016 Larson  
D797,607 S 9/2017 Preuninger  
D805,435 S \* 12/2017 Baum ..... D12/92  
D805,436 S 12/2017 Yamashita  
D805,437 S \* 12/2017 Varga ..... D12/92  
D808,862 S 1/2018 Ujhasi  
D823,727 S 7/2018 Hauser  
D824,288 S 7/2018 Hauser  
D826,784 S 8/2018 Hauser  
D833,331 S \* 11/2018 Yamashita ..... D12/92  
D835,730 S \* 12/2018 Chung ..... D21/548  
D839,786 S \* 2/2019 Baum ..... D12/92  
D842,759 S \* 3/2019 Baum ..... D12/92  
D868,631 S 12/2019 Larson  
D870,596 S 12/2019 Yamashita  
D880,359 S 4/2020 Baum  
D881,075 S \* 4/2020 Larson ..... D12/92

(Continued)

*Primary Examiner* — Melody N Brown

(74) *Attorney, Agent, or Firm* — RatnerPrestia

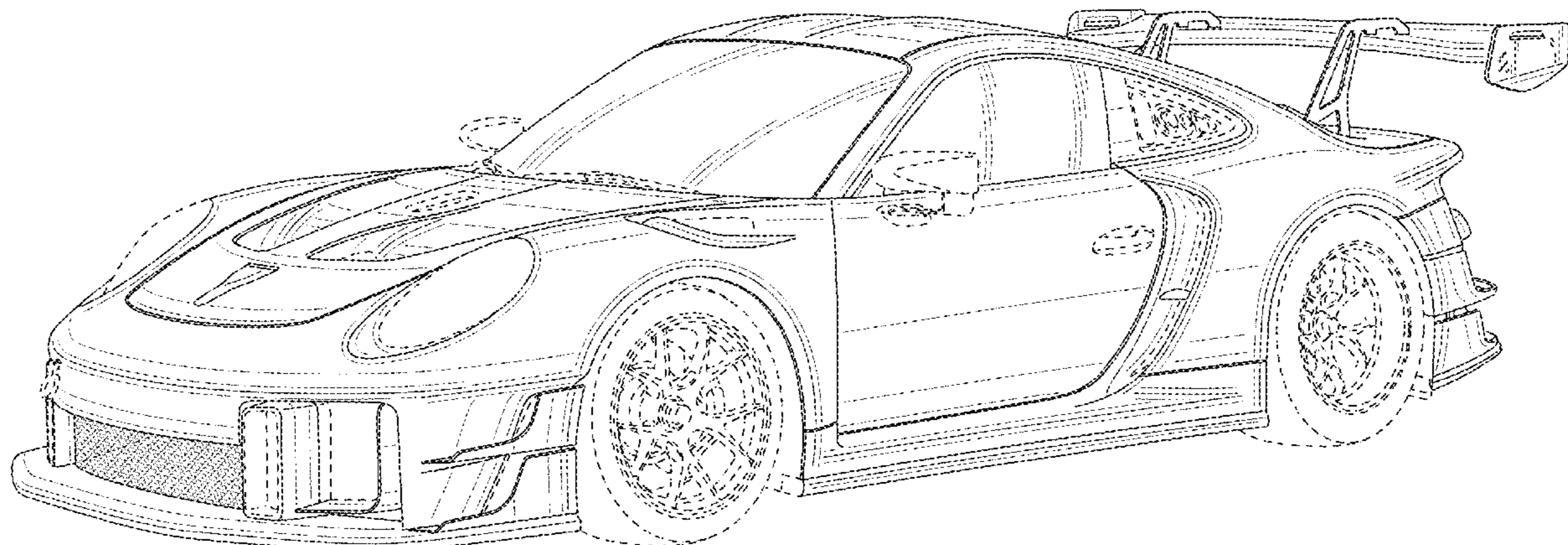
(57) **CLAIM**

The ornamental design for a motor vehicle body, toy vehicle body replica and/or other replica, as shown and described.

**DESCRIPTION**

FIG. 1 is a top, front and right side perspective view of a motor vehicle body, toy vehicle body replica and/or other replica showing my new design;  
FIG. 2 is a front view thereof;  
FIG. 3 is a rear view thereof;  
FIG. 4 is a left side view thereof, the right side being a mirror image thereof; and,  
FIG. 5 is a top plan view thereof.  
The portions of the motor vehicle body, toy vehicle body replica and/or other replica shown in broken lines are for illustrative and environmental purposes and form no part of the claimed design.

**1 Claim, 5 Drawing Sheets**



(56)

**References Cited**

U.S. PATENT DOCUMENTS

D883,145 S	5/2020	Baum	
D883,146 S	5/2020	Baum	
D885,258 S	5/2020	Larson	
D887,900 S	6/2020	Stopka	
D897,902 S *	10/2020	Scholz .....	D12/92
D897,903 S	10/2020	Scholz	
D897,904 S	10/2020	Stopka	
D913,854 S *	3/2021	Lenglin .....	D12/92
D918,090 S *	5/2021	Frank .....	D12/92
D951,140 S *	5/2022	Lenglin .....	D12/92
D951,141 S *	5/2022	Verbrugge .....	D12/92
D960,047 S *	8/2022	Larson .....	D12/92
D978,728 S *	2/2023	Larson .....	D12/91
D979,730 S *	2/2023	Paiho .....	D23/364

\* cited by examiner

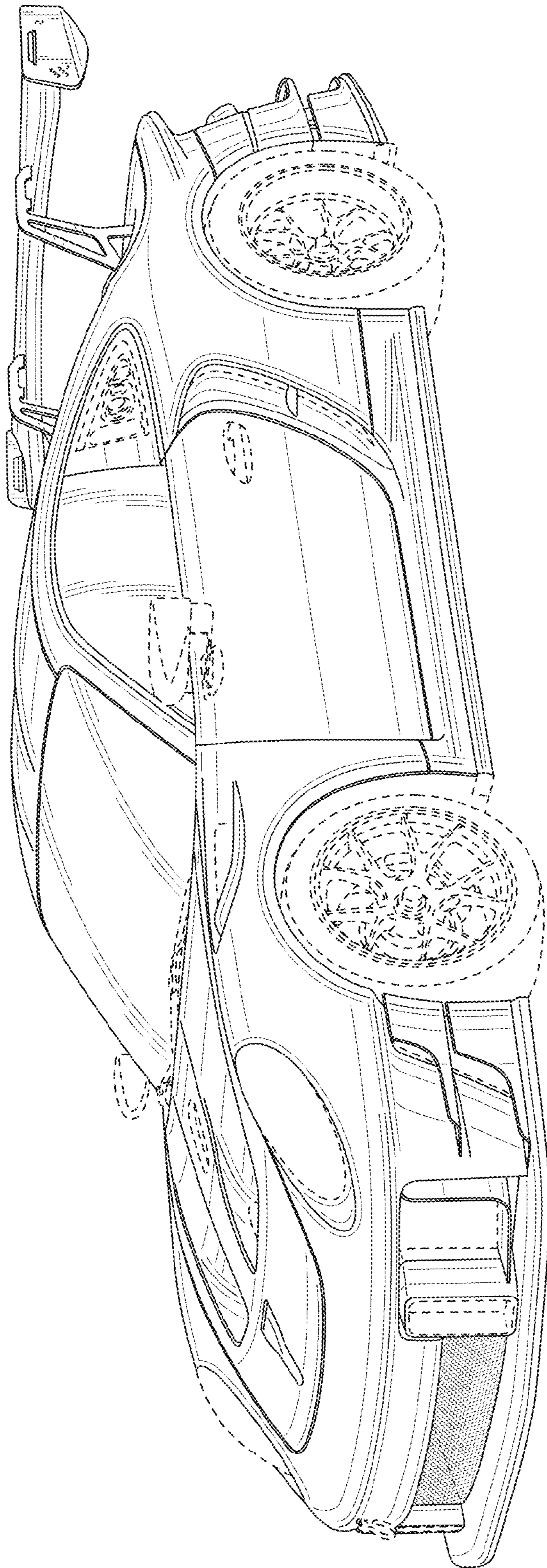


FIG. 1

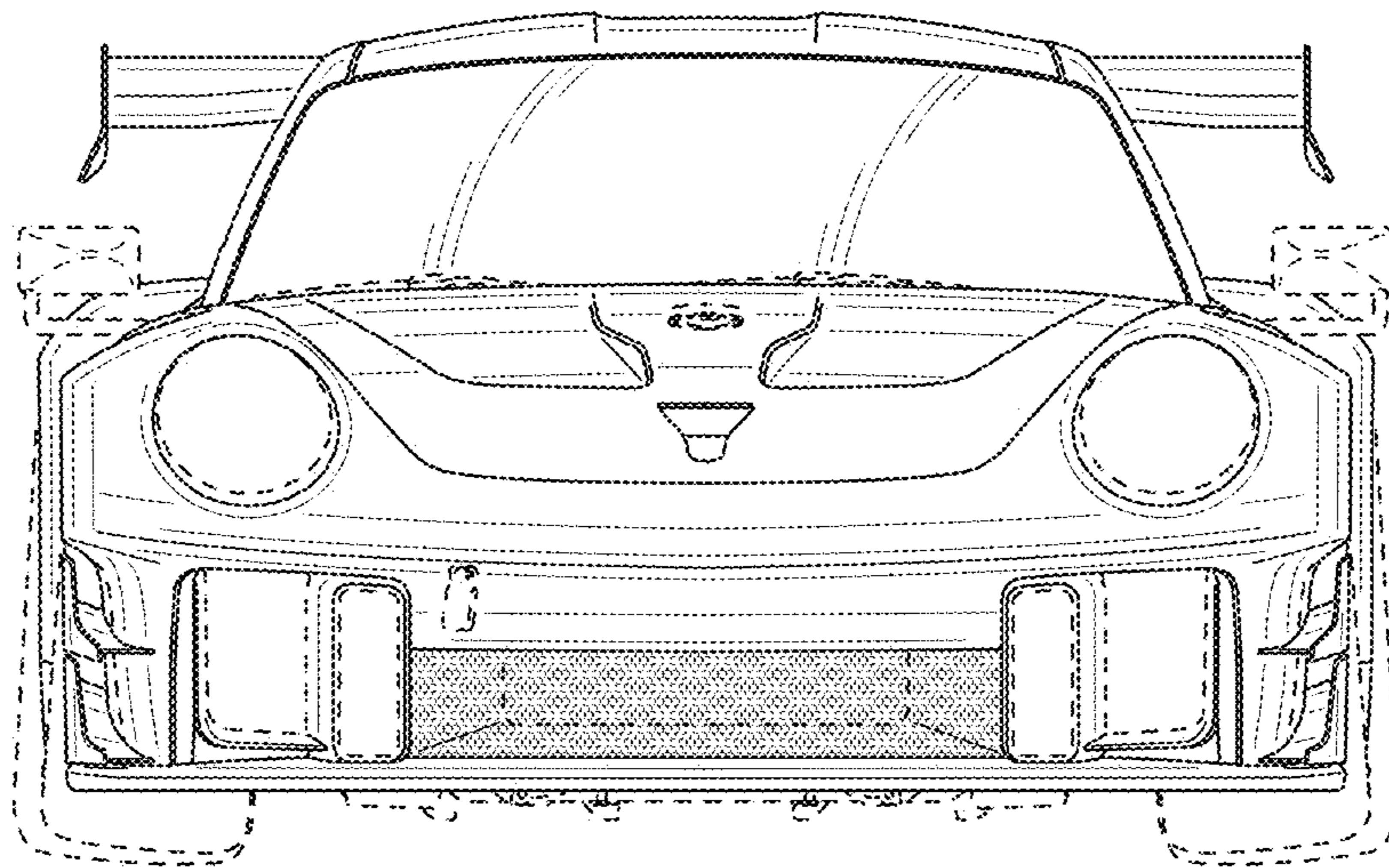


FIG. 2

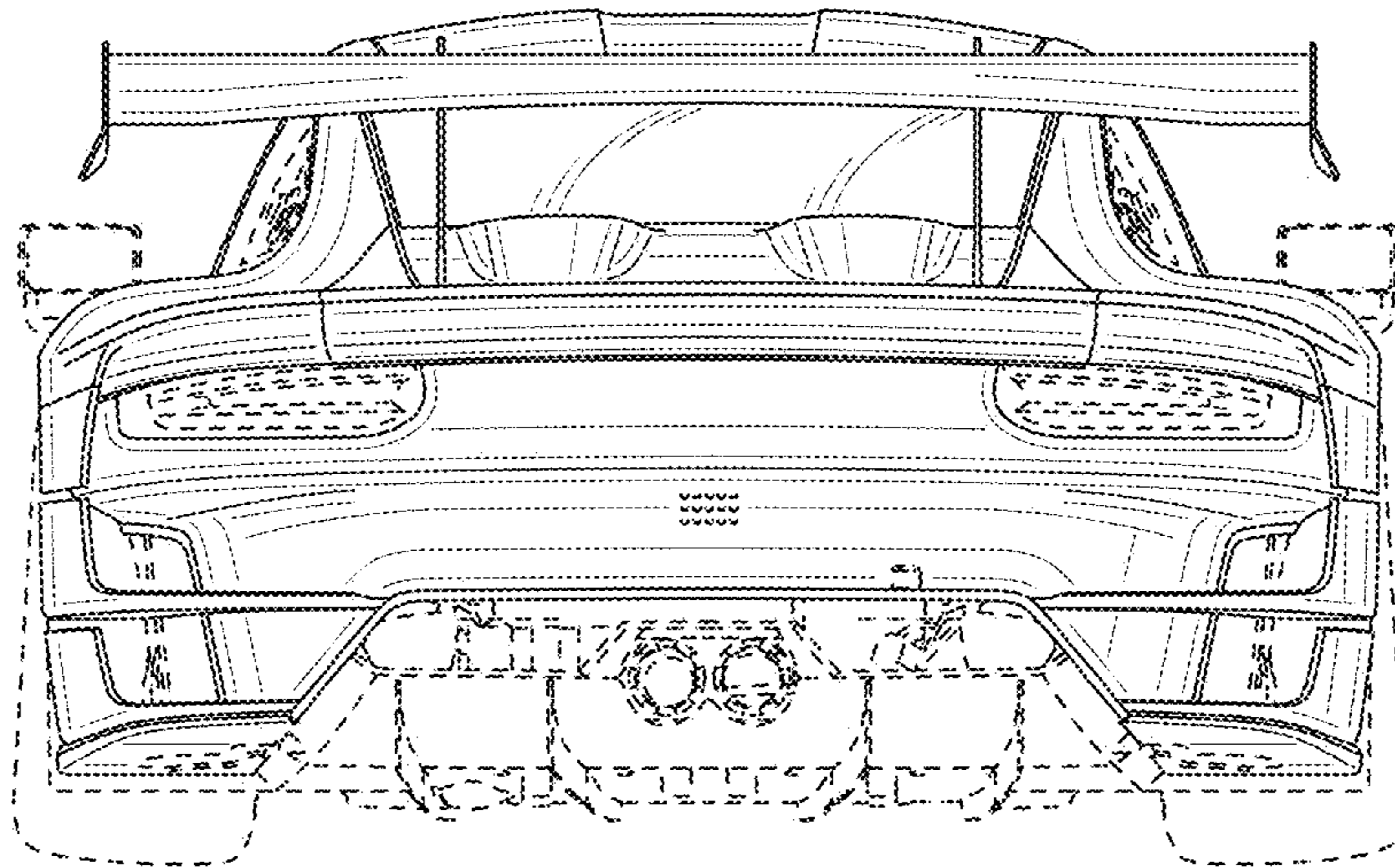


FIG. 3

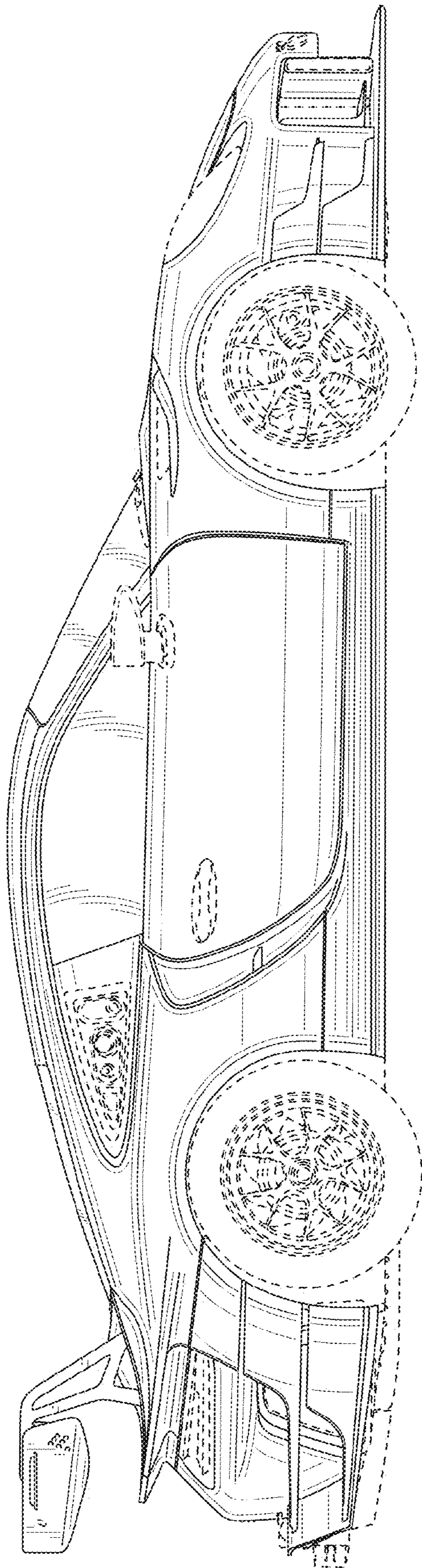


FIG. 4

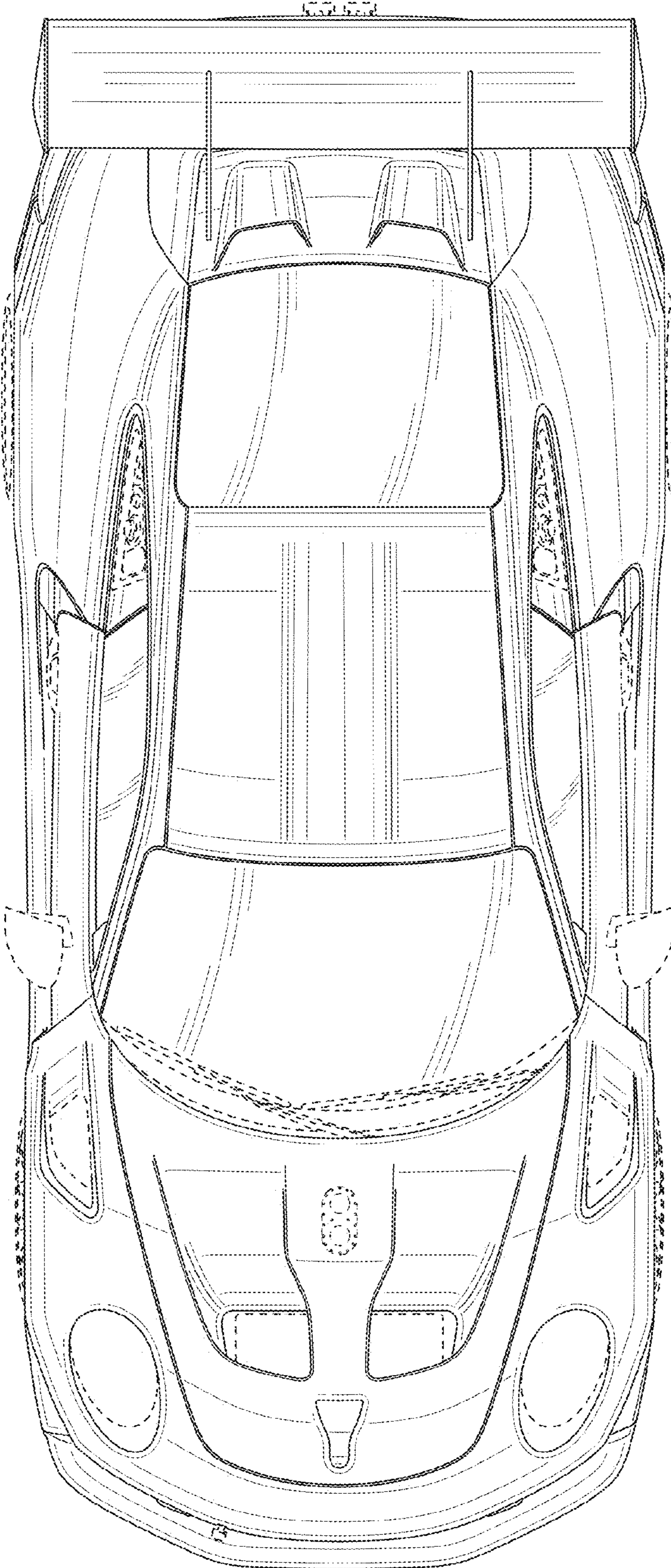


FIG. 5