



US00D984926S

(12) **United States Design Patent**  
**Özbayis**

(10) **Patent No.:** **US D984,926 S**  
(45) **Date of Patent:** **\*\* May 2, 2023**

(54) **TRAIN**

(71) Applicant: **ASELSAN ELEKTRONİK SANAYİ VE TİCARET ANONİM ŞİRKET,**  
Yenimahalle (TR)

(72) Inventor: **Ayşegül Özbayis,** Çankaya (TR)

(\*\*) Term: **15 Years**

(21) Appl. No.: **29/809,822**

(22) Filed: **Sep. 30, 2021**

(51) **LOC (14) Cl.** ..... **12-03**

(52) **U.S. Cl.**  
USPC ..... **D12/36**

(58) **Field of Classification Search**  
USPC ..... D12/36-51; D21/541  
CPC ..... B61F 3/08; B61F 5/14; B61F 5/38  
See application file for complete search history.

(56) **References Cited**

**U.S. PATENT DOCUMENTS**

2,172,567	A *	9/1939	Peycke et al. ....	B61H 11/10
				188/270
D577,313	S *	9/2008	Graf .....	D12/38
D596,988	S *	7/2009	Chomiak .....	D12/36
D755,672	S *	5/2016	Joren .....	D12/36
D758,920	S *	6/2016	Greenway .....	D12/36
D901,331	S *	11/2020	Giroux .....	D12/36
D904,929	S *	12/2020	Simpson .....	D12/36
D910,486	S *	2/2021	Grzona .....	D12/36
D911,218	S *	2/2021	Ransome .....	D12/36
2018/0178813	A1 *	6/2018	Garza .....	B61B 13/08

**OTHER PUBLICATIONS**

“R211 train” MTA., posted date Jul. 1, 2021 [online], [retrieved on Oct. 20, 2022]. Retrieved from the Internet: <URL: <https://www.>

amny.com/transit/mta-moves-forward-with-new-r211-train-cars-after-yearlong-delay/> (Year: 2021).\*

“This New \$350 Million Luxury Train Will Change How We Travel” Thierry Gaugain., posted date Jul. 15, 2021 [online], [retrieved on Oct. 20, 2022]. Retrieved from the Internet: <URL: <https://www.architecturaldigest.com/story/new-350-million-luxury-train-will-change-how-we-travel>> (Year: 2021).\*

“World’s first zero-emissions hydrogen train” Alstom., posted date Nov. 4, 2016 [online], [retrieved on Oct. 20, 2022]. Retrieved from the Internet: <URL: <https://www.dezeen.com/2016/11/04/germany-first-zero-emissions-hydrogen-powered-train-coradia-ilint-alstom-transport-news/>> (Year: 2016).\*

“Singapore new trains inspired by city’s charm” Movia., posted date Oct. 12, 2020 [online], [retrieved on Oct. 20, 2022]. Retrieved from the Internet: <URL: <https://www.railwaypro.com/wp/singapore-new-trains-inspired-by-citys-charm/>> (Year: 2020).\*

\* cited by examiner

*Primary Examiner* — Darlington Ly

*Assistant Examiner* — Nasim Abdulaziz Ali

(74) *Attorney, Agent, or Firm* — Rumit Ranjit Kanakia

(57) **CLAIM**

I claim the ornamental design for a train, as shown and described.

**DESCRIPTION**

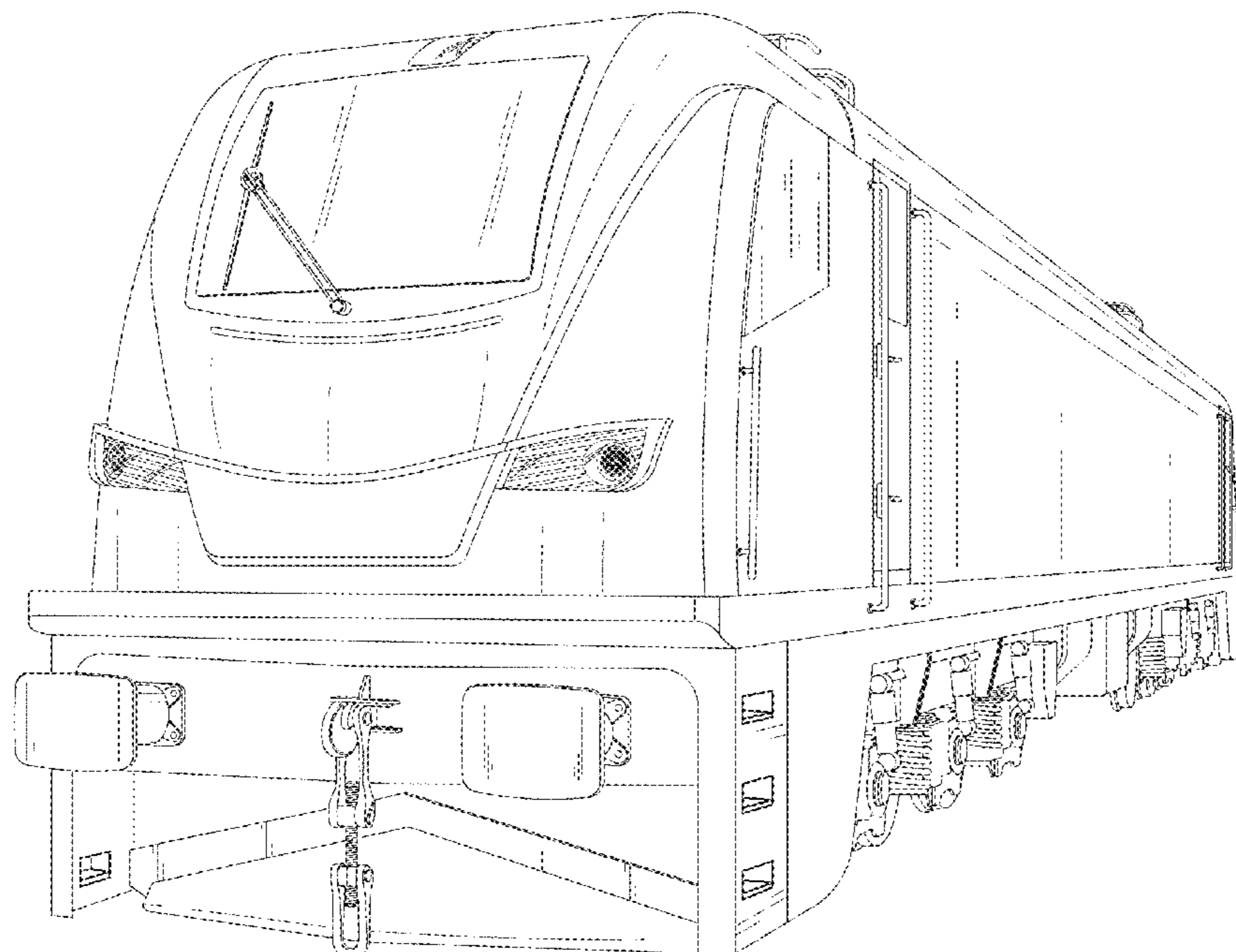
FIG. 1 is a perspective view of a train showing my new design;

FIG. 2 is a front elevation view thereof;

FIG. 3 is an enlarged front elevation view of a train as shown in FIG. 2; and,

FIG. 4 is an enlarged right-side elevation view of a train as shown in FIG. 1.

**1 Claim, 4 Drawing Sheets**



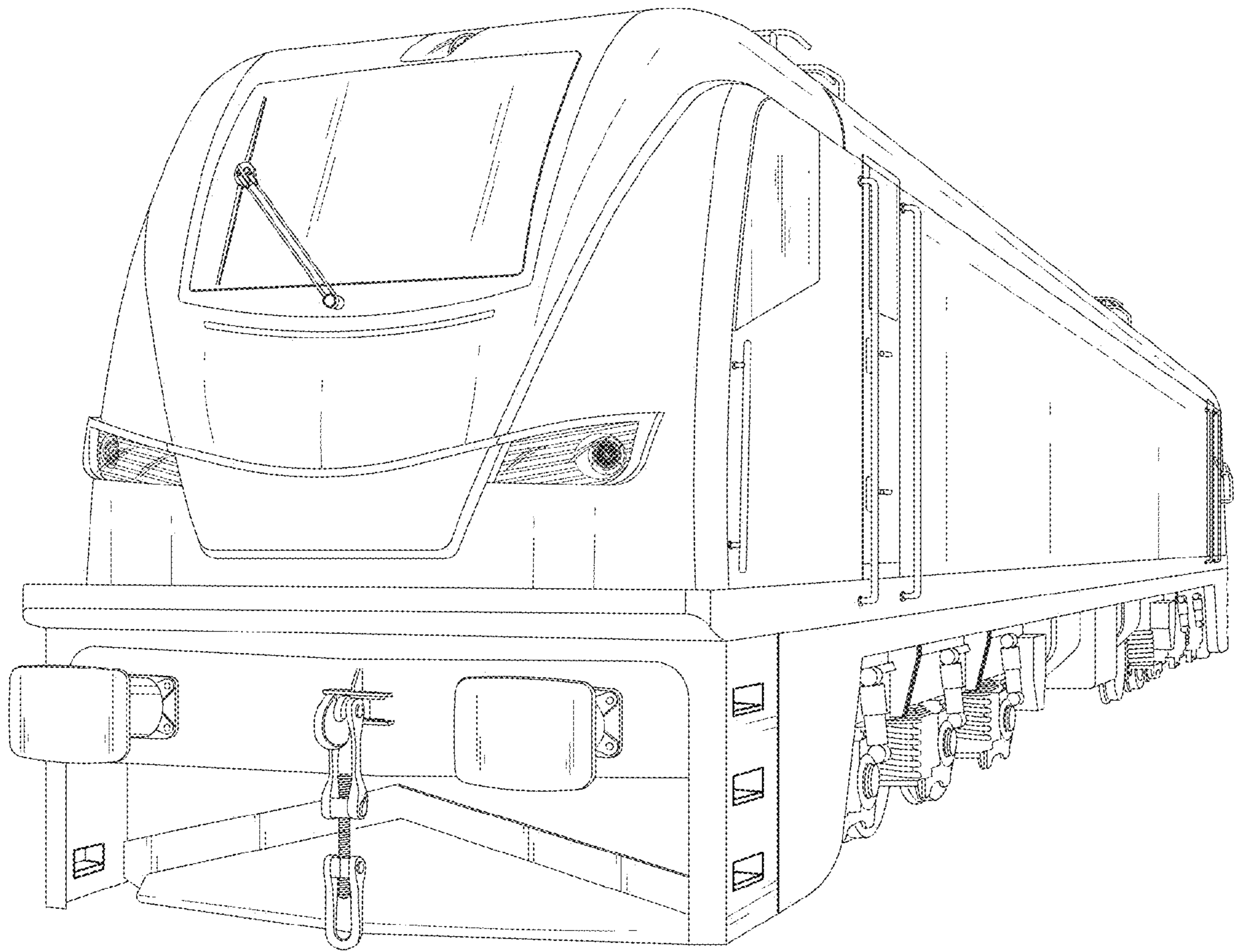


FIG.1

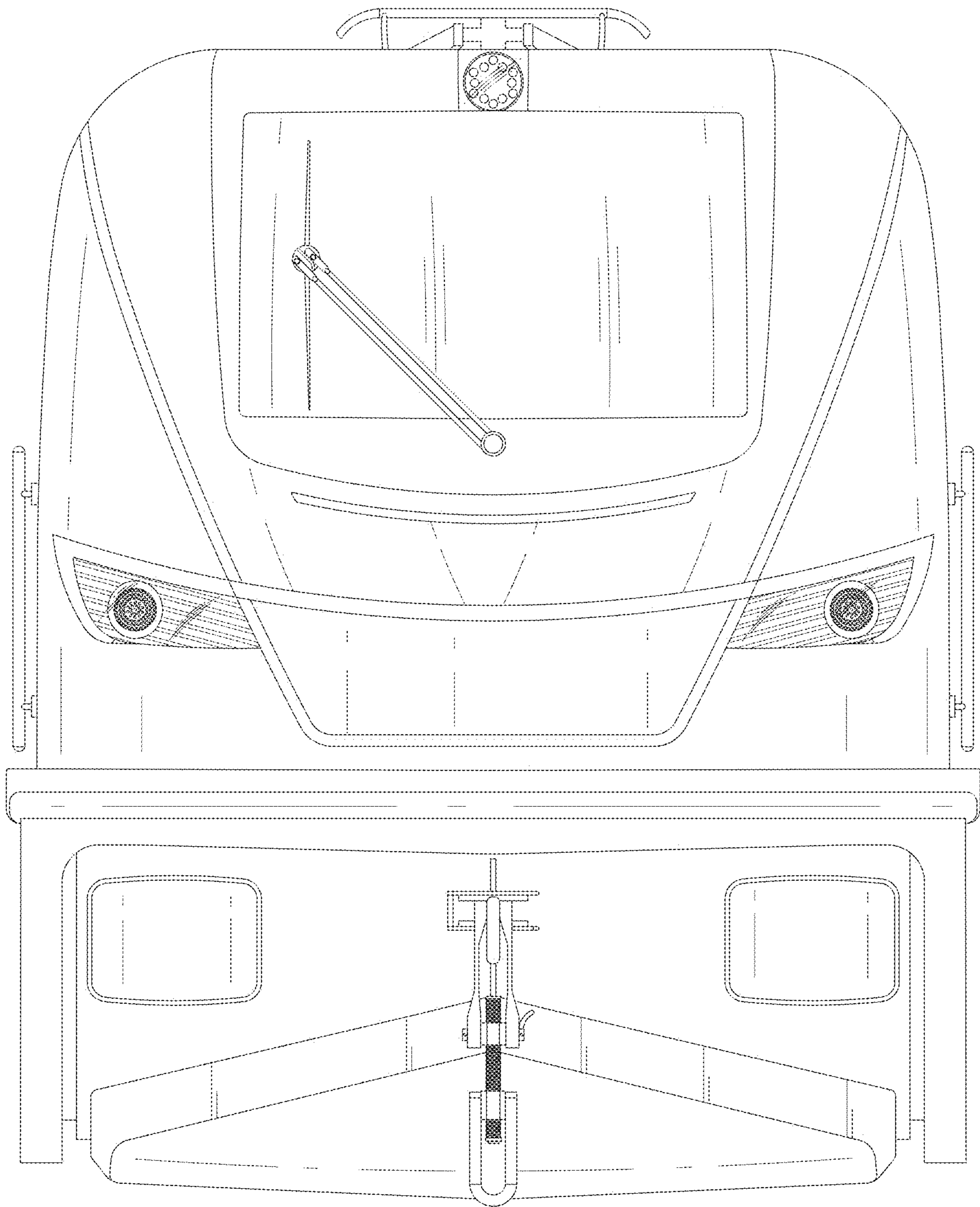


FIG.2

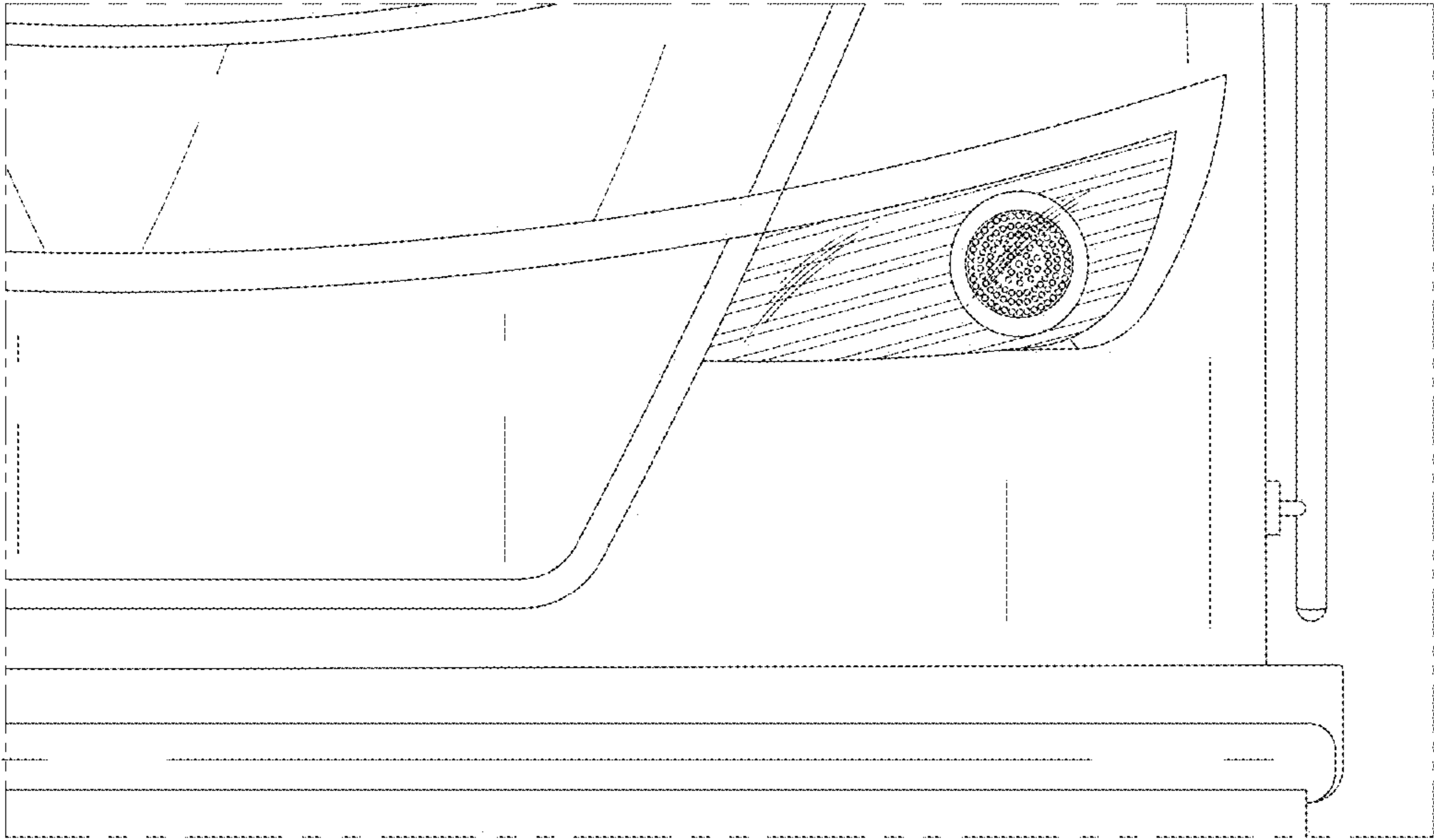


FIG.3

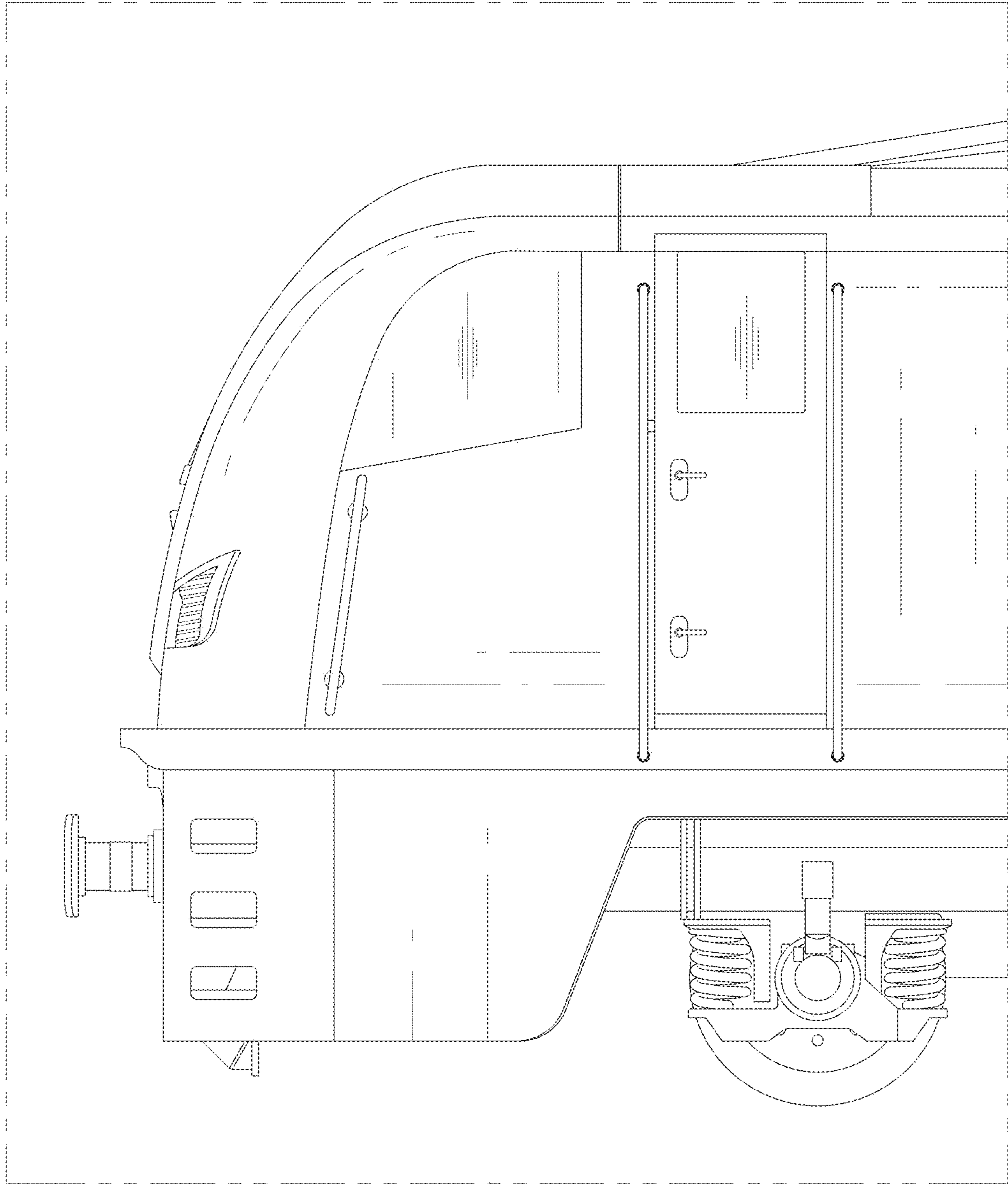


FIG.4