



US00D984921S

(12) **United States Design Patent**
Tashjian

(10) **Patent No.:** **US D984,921 S**

(45) **Date of Patent:** **** May 2, 2023**

(54) **BACKING**

(71) Applicant: **Venus by Maria Tash, Inc.**, New York, NY (US)

(72) Inventor: **Maria Tashjian**, New York, NY (US)

(73) Assignee: **Venus by Maria Tash, Inc.**, New York, NY (US)

(**) Term: **15 Years**

(21) Appl. No.: **29/831,881**

(22) Filed: **Mar. 23, 2022**

(51) **LOC (14) Cl.** **11-01**

(52) **U.S. Cl.**
USPC **D11/88; D11/40**

(58) **Field of Classification Search**
USPC D11/1, 2, 7-12, 16, 26-28, 34-45, 47,
D11/70, 73, 75, 79-92; 62/1.11-14.1, 20,
62/22, 23, 26-33

(Continued)

(56) **References Cited**

U.S. PATENT DOCUMENTS

D273,472 S * 4/1984 Goldstein D11/86
D651,224 S * 12/2011 Takahashi D15/139
(Continued)

FOREIGN PATENT DOCUMENTS

EM 008645139-0001 8/2021
EM 008645139-0002 8/2021
(Continued)

OTHER PUBLICATIONS

Panda Hall [online] URL: <https://www.pandahall.com/p-2812559-silicone-ear-nuts-earring-backs-with-brass-findings.html> (site visited: Sep. 21, 2022) (Year: 2022).*

(Continued)

Primary Examiner — Jae Liang

Assistant Examiner — Tia Ruth-Renee Polidori

(74) *Attorney, Agent, or Firm* — Dentons US LLP

(57) **CLAIM**

The ornamental design for a backing, as shown and described.

DESCRIPTION

FIG. 1 is a top perspective view of a first embodiment for a backing;

FIG. 2 is a bottom perspective view thereof;

FIG. 3 is a front view thereof;

FIG. 4 is a back view thereof;

FIG. 5 is a right view thereof;

FIG. 6 is a left view thereof;

FIG. 7 is a top view thereof;

FIG. 8 is a bottom view thereof;

FIG. 9 is a top perspective view of a second embodiment for a backing;

FIG. 10 is a bottom perspective view thereof;

FIG. 11 is a front view thereof;

FIG. 12 is a back view thereof;

FIG. 13 is a right view thereof;

FIG. 14 is a left view thereof;

FIG. 15 is a top view thereof;

FIG. 16 is a bottom view thereof;

FIG. 17 is a top perspective view of a third embodiment for a backing;

FIG. 18 is a bottom perspective view thereof;

FIG. 19 is a front view thereof;

FIG. 20 is a back view thereof;

FIG. 21 is a right view thereof;

FIG. 22 is a left view thereof;

FIG. 23 is a top view thereof;

FIG. 24 is a bottom view thereof;

FIG. 25 is a top perspective view of a fourth embodiment for a backing;

FIG. 26 is a bottom perspective view thereof;

FIG. 27 is a front view thereof;

FIG. 28 is a back view thereof;

FIG. 29 is a right view thereof;

FIG. 30 is a left view thereof;

(Continued)

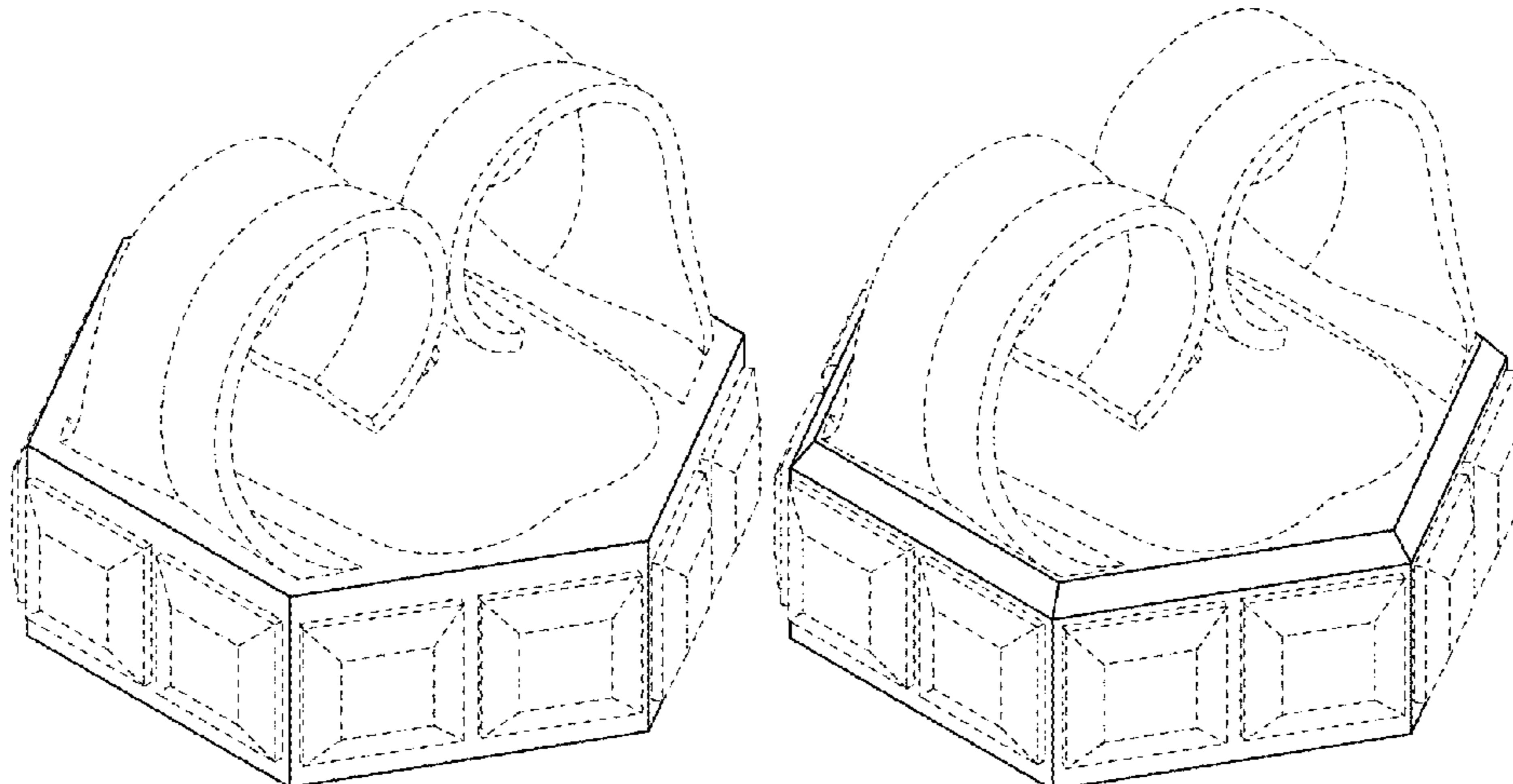


FIG. 31 is a top view thereof; and,
 FIG. 32 is a bottom view thereof.
 Broken lines shown in drawings illustrate portions that form
 no part of claimed design.

1 Claim, 8 Drawing Sheets

(58) **Field of Classification Search**

CPC A44C 7/00; A44C 7/003; A44C 7/004;
 A44C 7/005; A44C 7/006; A44C 7/007;
 A44C 7/008

See application file for complete search history.

(56) **References Cited**

U.S. PATENT DOCUMENTS

D668,986 S * 10/2012 Friedman D11/41
 D712,777 S * 9/2014 Kuiawa D11/40
 D712,778 S * 9/2014 Kuiawa D11/40
 D726,577 S * 4/2015 Weems D11/86
 D912,678 S * 3/2021 O'Donnell D14/445

FOREIGN PATENT DOCUMENTS

EM	008645139-0003	8/2021
EM	008645139-0004	8/2021
EM	008645139-0005	8/2021
EM	008645139-0006	8/2021
EM	008645139-0007	8/2021
EM	008645139-0008	8/2021
EM	008645139-0009	8/2021
EM	008645139-0010	8/2021
EM	008645139-0011	8/2021
EM	008645139-0012	8/2021
EM	008645139-0013	8/2021
EM	008645139-0014	8/2021
EM	008645139-0015	8/2021
EM	008645139-0016	8/2021
EM	008645139-0017	8/2021
EM	008645139-0018	8/2021
EM	008645139-0019	8/2021
EM	008645139-0020	8/2021
EM	008645139-0021	8/2021
EM	008645139-0022	8/2021
EM	008645139-0023	8/2021
EM	008645139-0024	8/2021
EM	008645139-0025	8/2021
EM	008645139-0026	8/2021
EM	008645139-0027	8/2021
EM	008645139-0028	8/2021
EM	008645139-0029	8/2021
EM	008645139-0030	8/2021
EM	008645139-0031	8/2021
EM	008645139-0032	8/2021
EM	008647861-0001	8/2021
EM	008647861-0002	8/2021
EM	008647861-0003	8/2021
EM	008647861-0004	8/2021
EM	008647861-0005	8/2021
EM	008647861-0006	8/2021
EM	008647861-0007	8/2021
EM	008647861-0008	8/2021

EM	008647861-0009	8/2021
EM	008647861-0010	8/2021
EM	008647861-0011	8/2021
EM	008647861-0012	8/2021
EM	008647861-0013	8/2021
EM	008647861-0014	8/2021
EM	008647861-0015	8/2021
EM	008647861-0016	8/2021
EM	008647861-0017	8/2021
EM	008647861-0018	8/2021
EM	008647861-0019	8/2021
EM	008647861-0020	8/2021
EM	008647861-0021	8/2021
EM	008647861-0022	8/2021
EM	008732176-0001	10/2021
EM	008732176-0002	10/2021
EM	008732176-0003	10/2021
EM	008732176-0004	10/2021
EM	008732176-0005	10/2021
EM	008732176-0006	10/2021
EM	008732176-0007	10/2021
EM	008732176-0008	10/2021
EM	008732176-0009	10/2021
EM	008732176-0010	10/2021
EM	008732176-0011	10/2021
EM	008732176-0012	10/2021
EM	008732176-0013	10/2021
EM	008732176-0014	10/2021
EM	008732176-0015	10/2021
EM	008732176-0016	10/2021
EM	008732176-0017	10/2021
GB	6233419	* 11/2022
GB	6233420	* 11/2022
HK	1401614-0001	* 4/2015
KR	300828417.0000	* 12/2015
KR	300967883.0000	* 8/2018
KR	300990875.0000	* 1/2019
KR	301091484.0000	* 1/2021
WO	WO2021113586	6/2021

OTHER PUBLICATIONS

Ring to Perfection [online] URL: <https://store.ringtoperfection.com/products/black-hexagon-double-sided-stud-earrings> (site visited: Sep. 21, 2022) (Year: 2022).*

Miranda Frye [online] URL: <https://mirandafrye.com/products/mf-earring-backs> (site visited: Sep. 21, 2022) (Year: 2021).*

Honeycat [online] URL: <https://www.amazon.com/HONEYCAT-Honeycomb-Earrings-Minimalist-Delicate/dp/B06XFC4MXD> (site visited: Sep. 21, 2022) (Year: 2018).*

Walmart [online] URL: <https://www.walmart.com/ip/925-Sterling-Silver-Rhodium-plated-CZ-Pav-Hexagon-Post-Earrings-for-Adults-and-Teens-for-Women-and-Men/433529517> (site visited: Sep. 21, 2022) (Year: 2022).*

Body Dazz [online] URL: <https://www.amazon.com/Pair-Bolt-Earrings-Cheater-Gauges/dp/B09PDFJ26Z> (site visited: Sep. 21, 2022) (Year: 2021).*

Etsy [online] URL: <https://www.etsy.com/listing/858268873/double-hexagon-stud-earrings-stainless> (site visited: Dec. 5, 2022) (Year: 2021).*

Maria Tash, Shop Backing, Showing 207 results, downloaded from Internet Mar. 21, 2022, <https://www.mariatash.com/shop?g=backing> (24 pages).

* cited by examiner

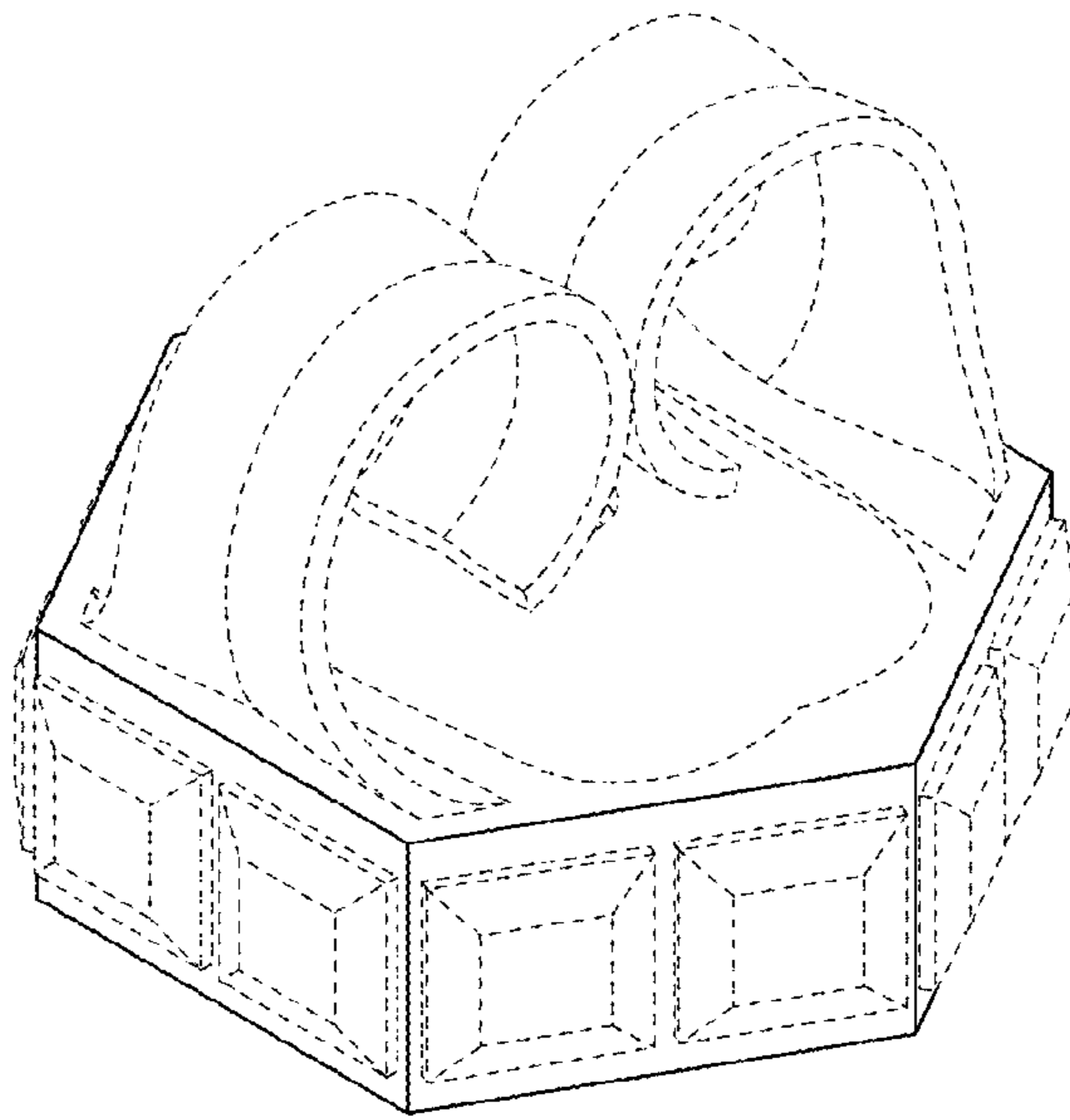


FIG. 1

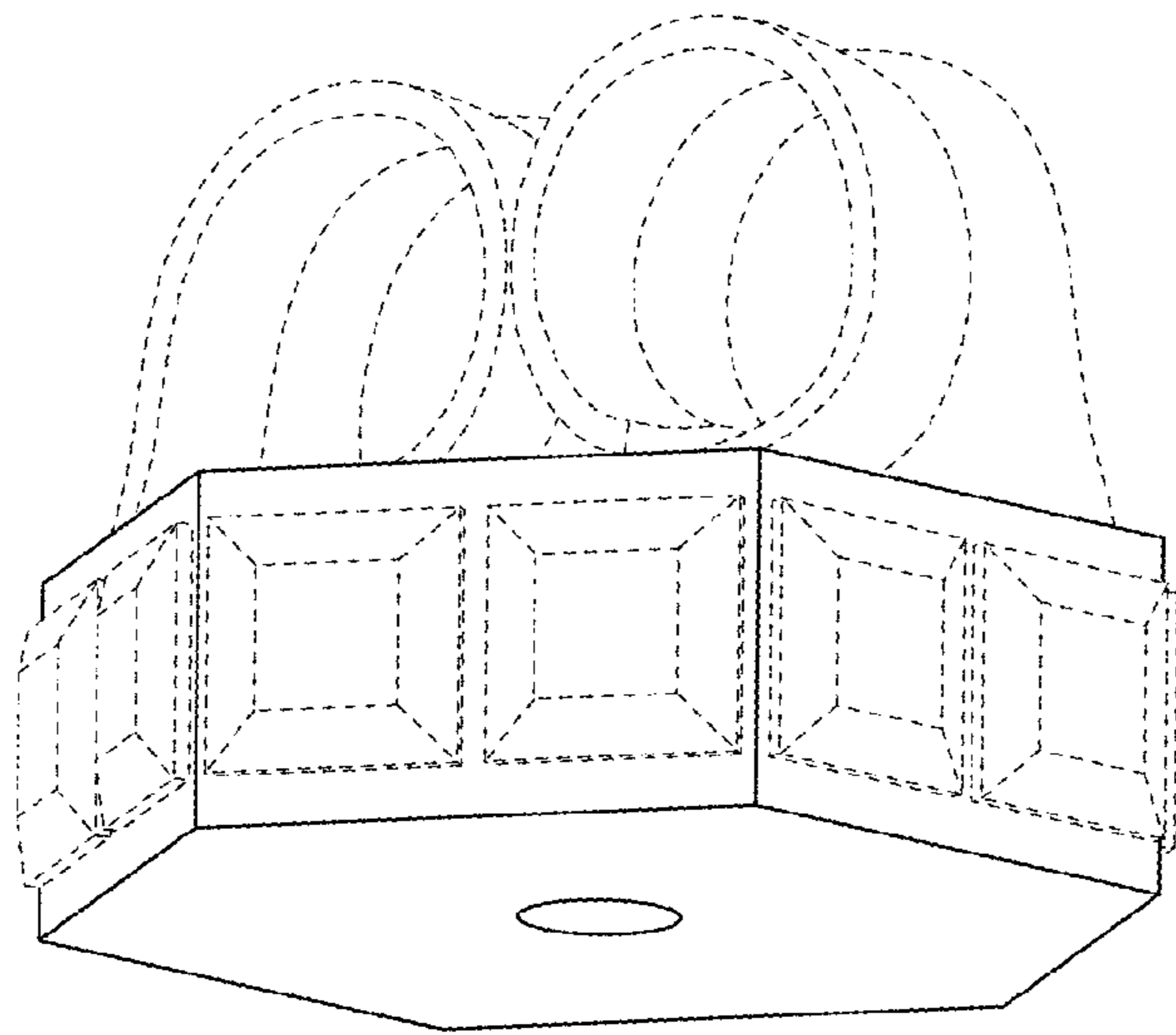


FIG. 2

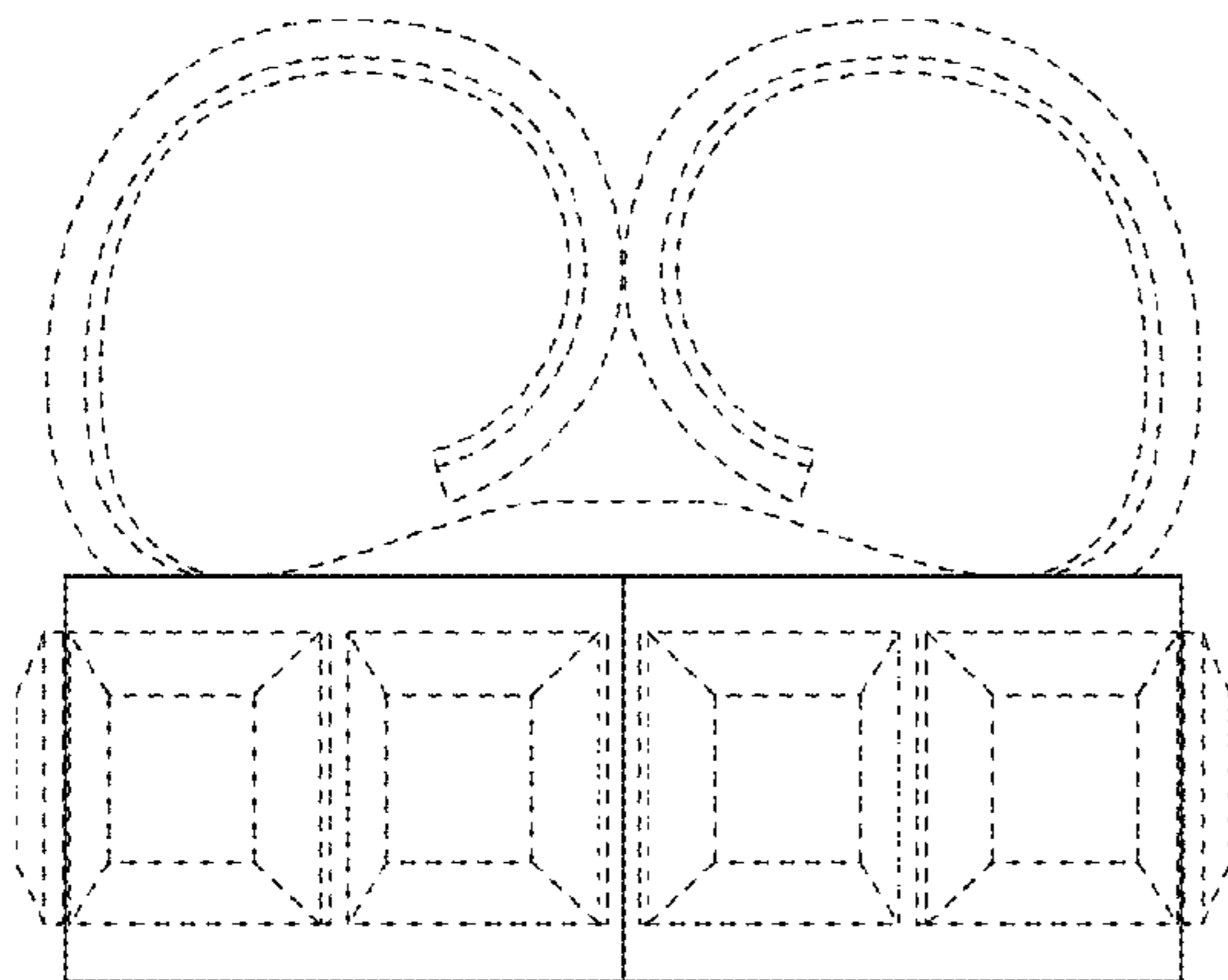


FIG. 3

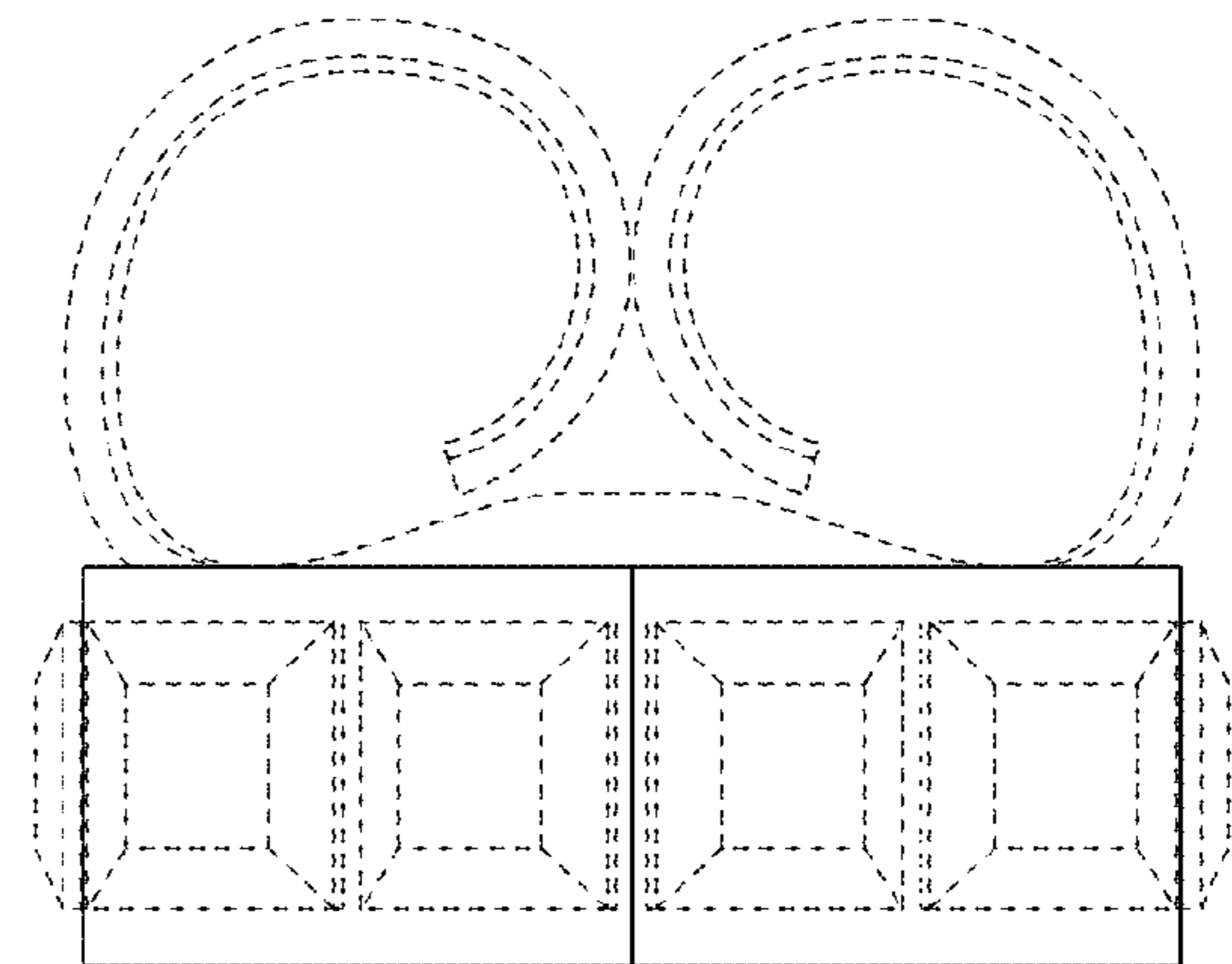


FIG. 4

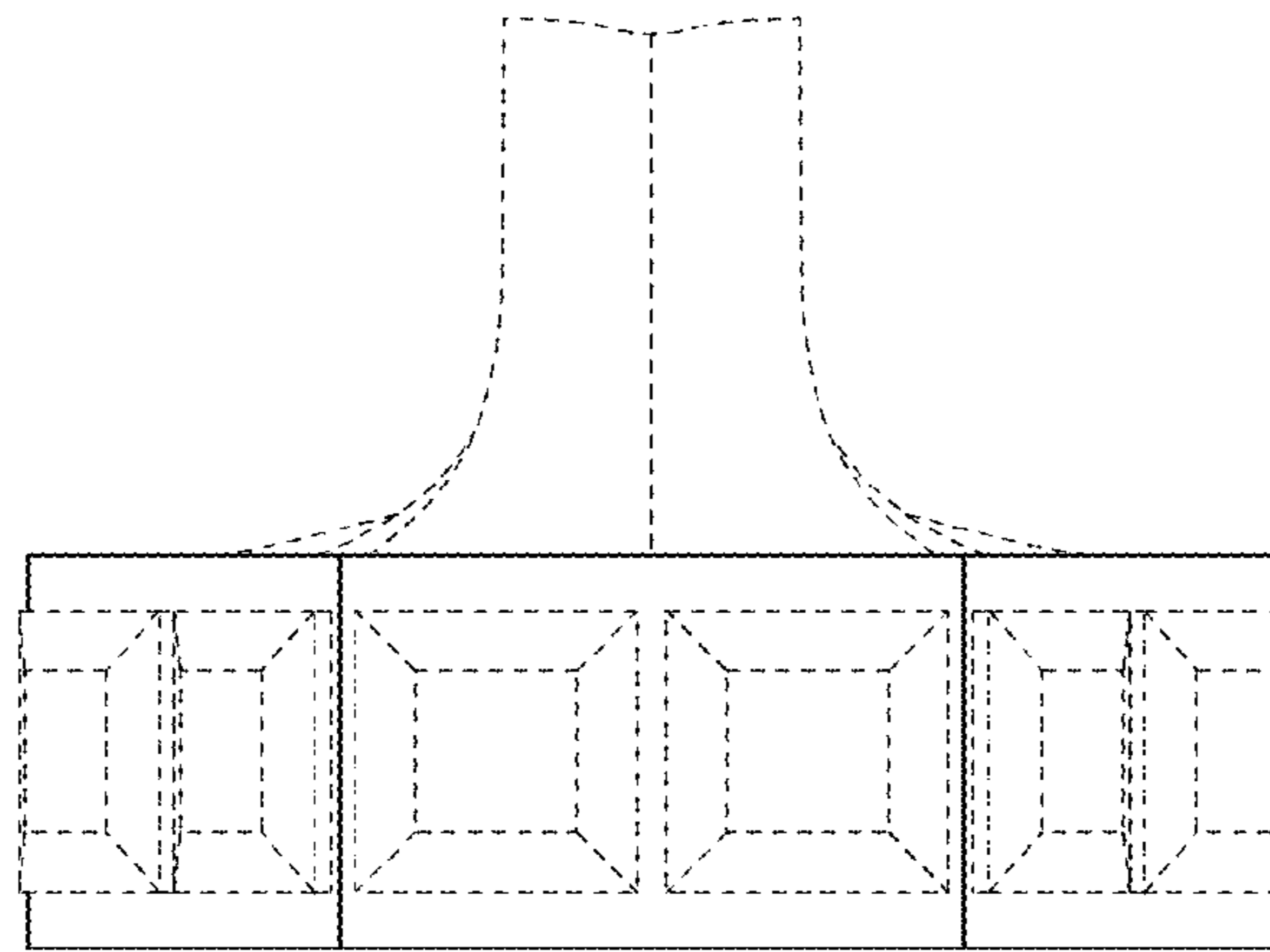


FIG. 5

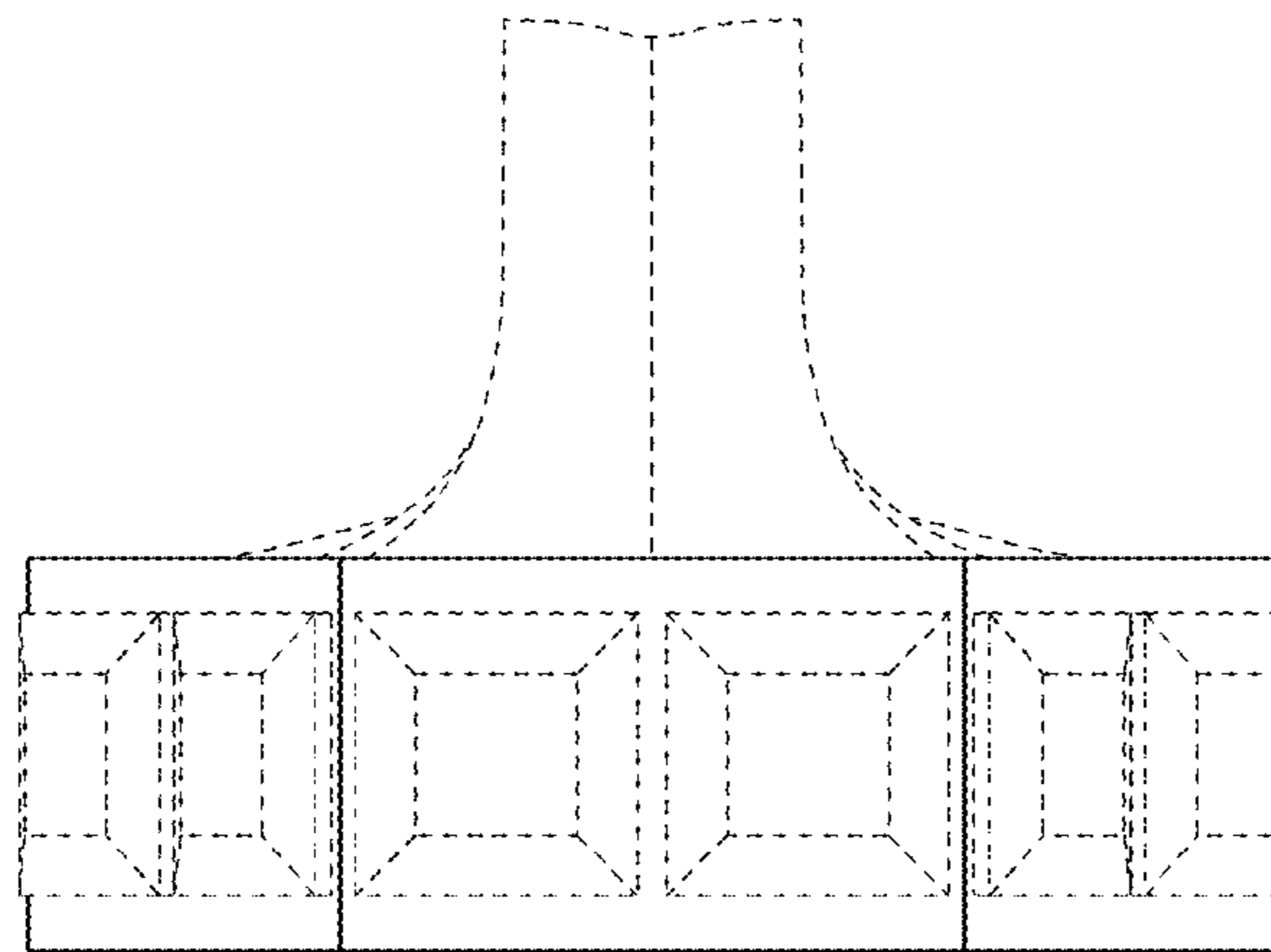


FIG. 6

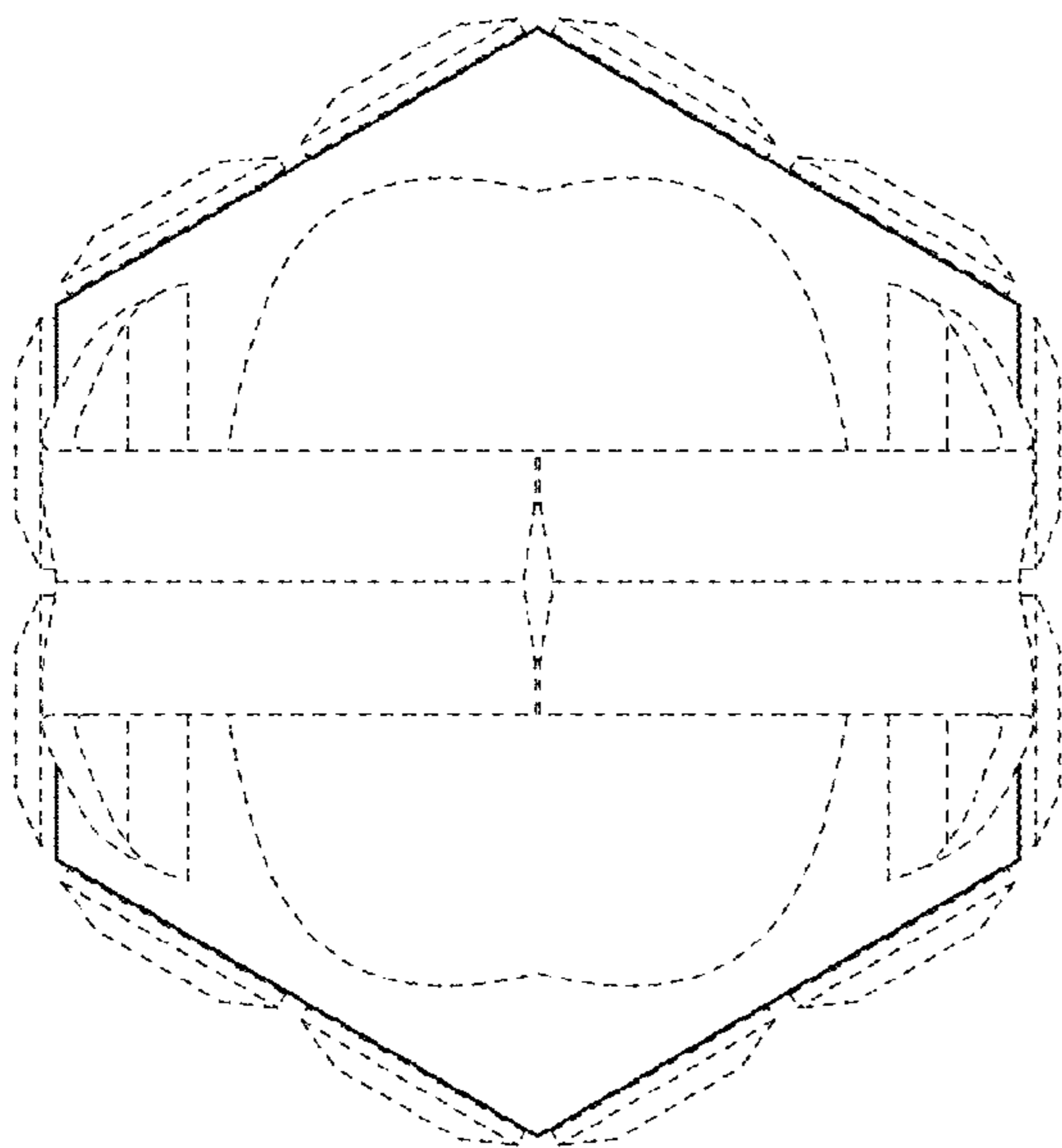


FIG. 7

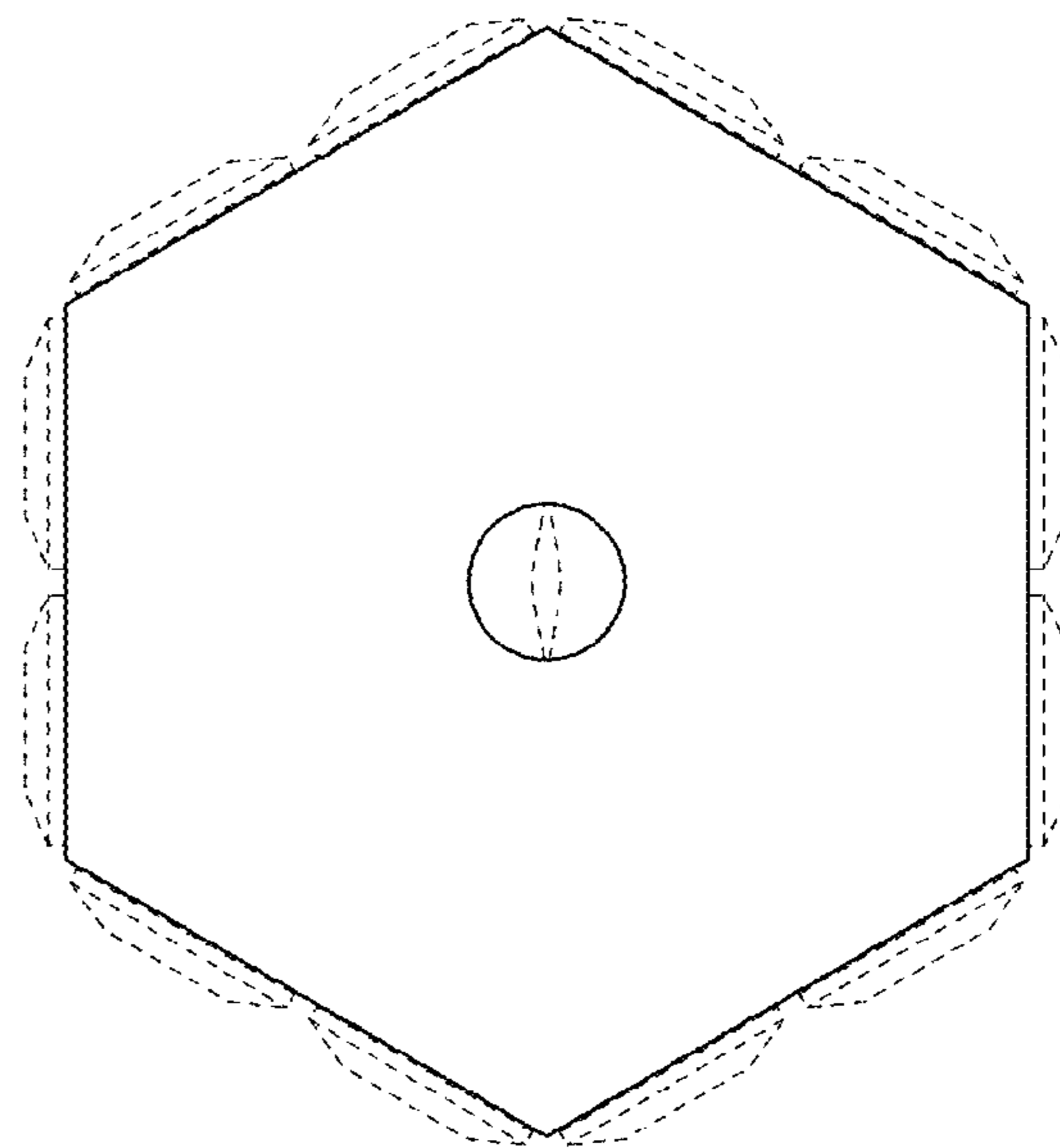


FIG. 8

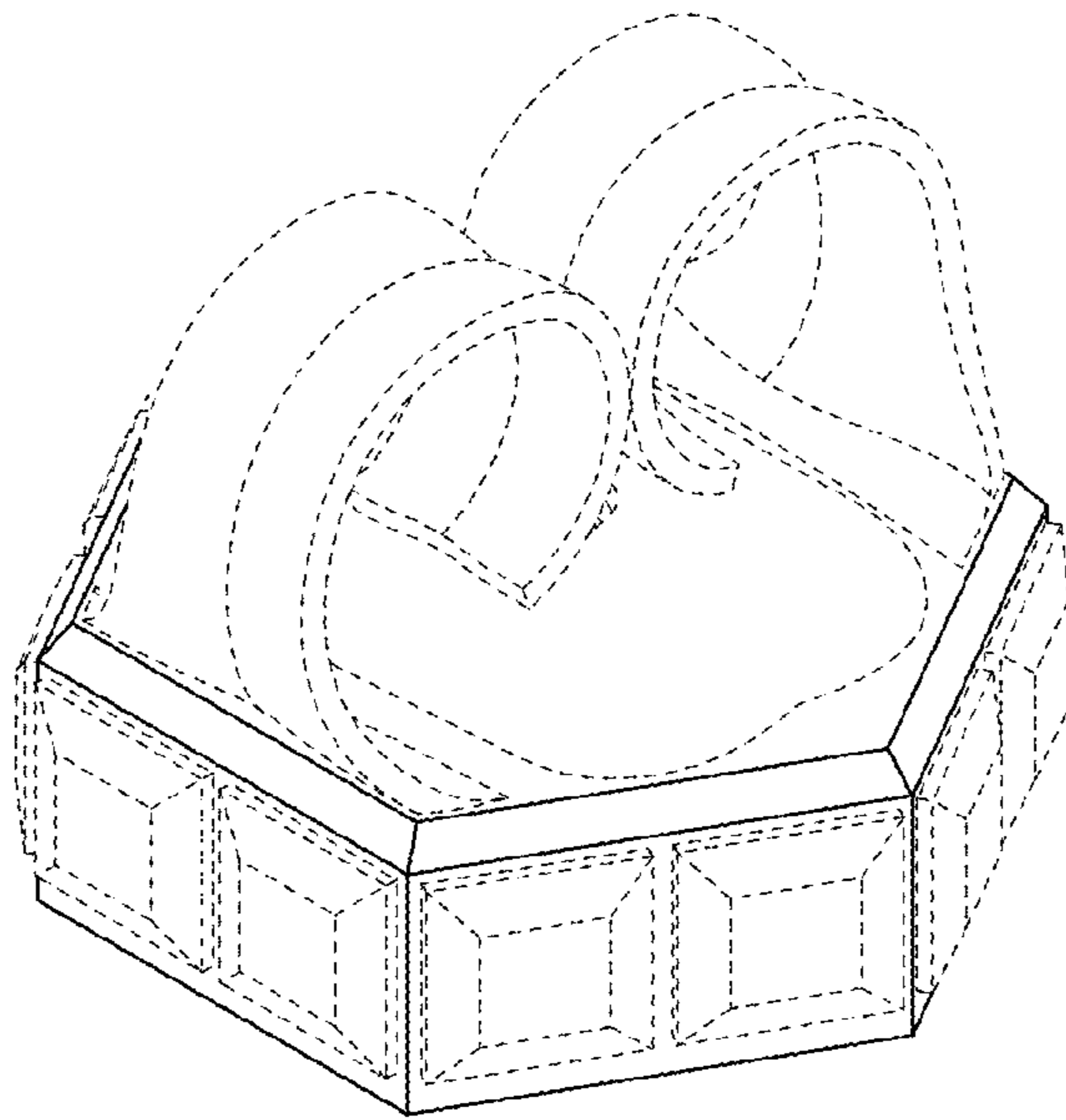


FIG. 9

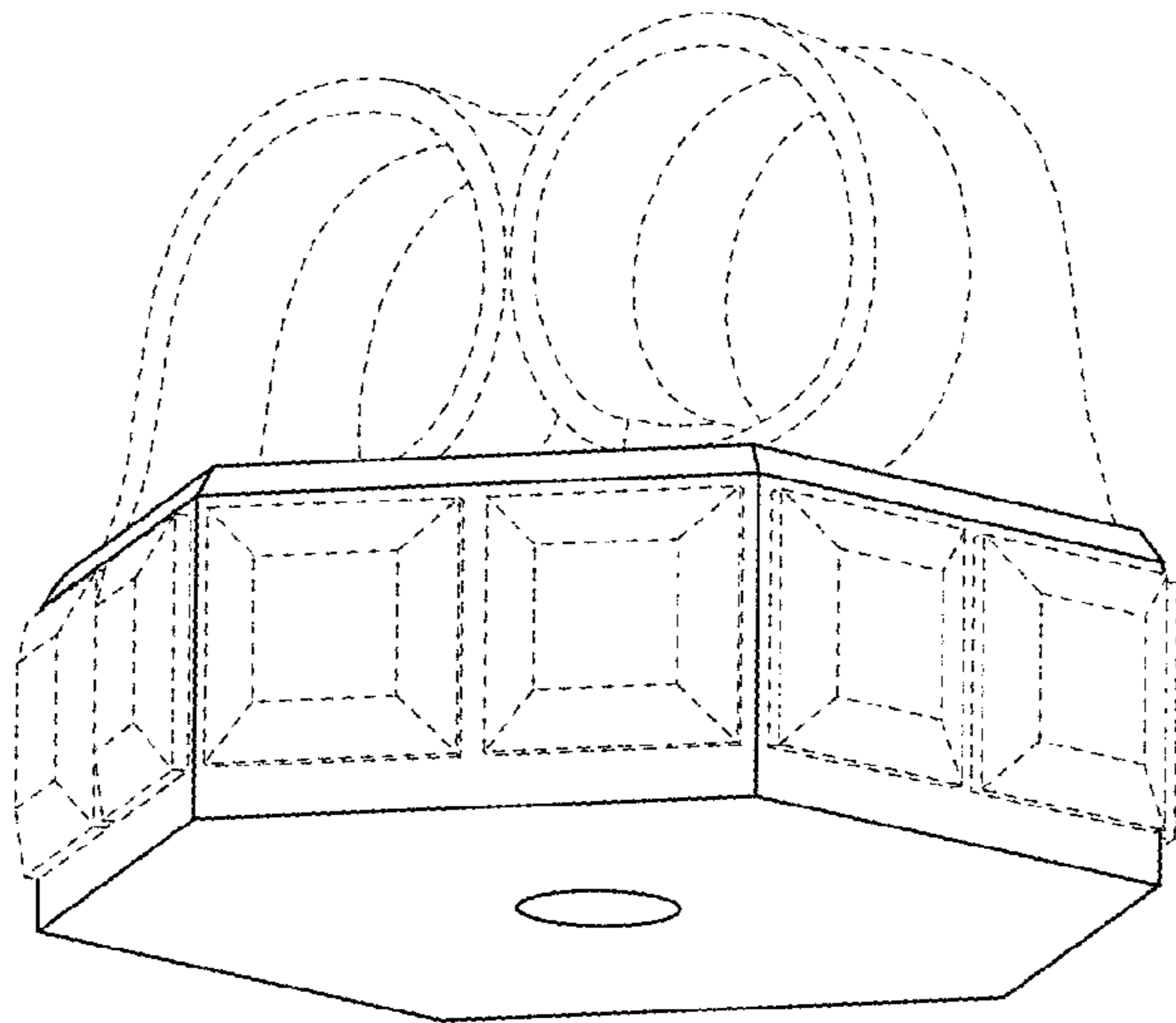


FIG. 10

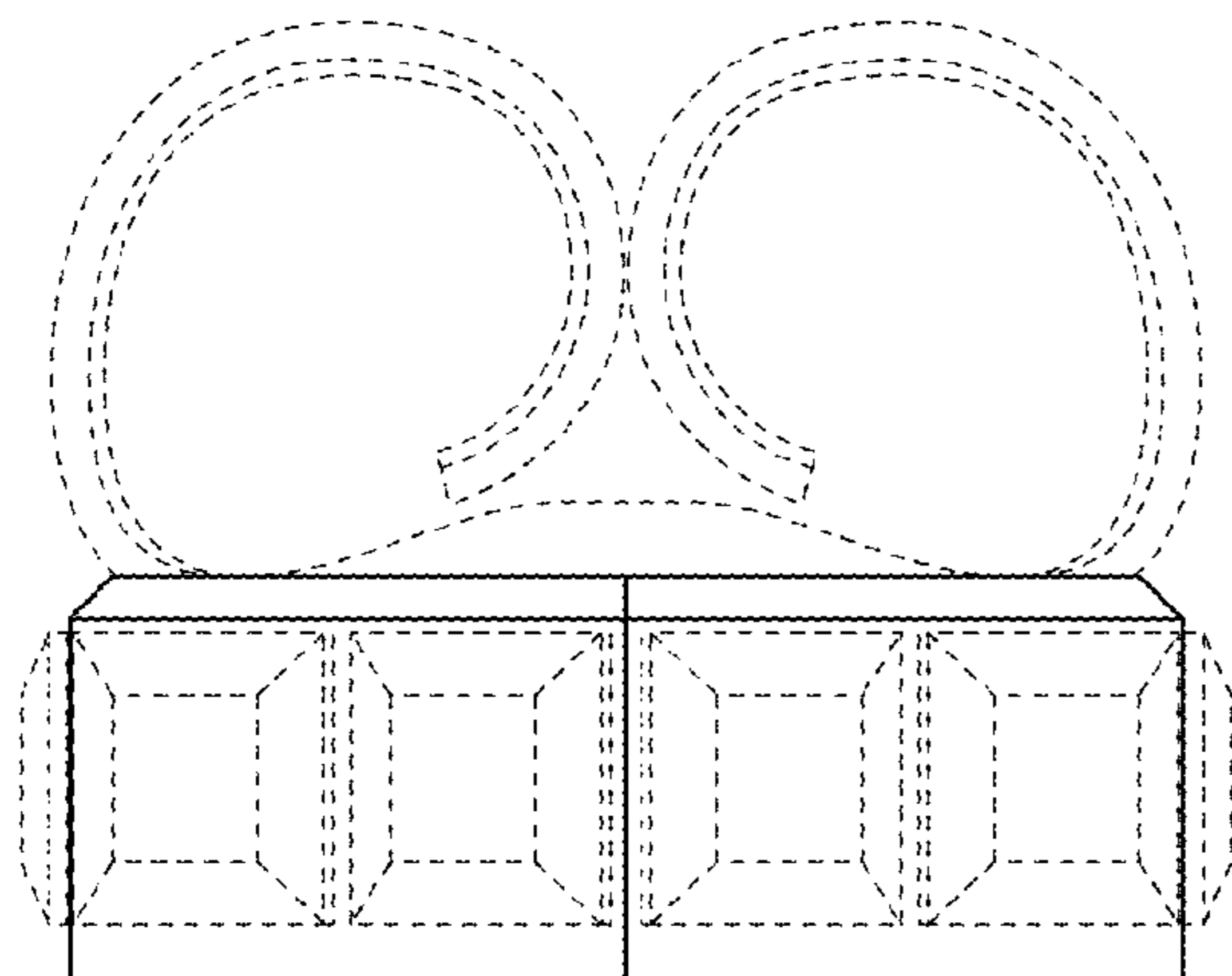


FIG. 11

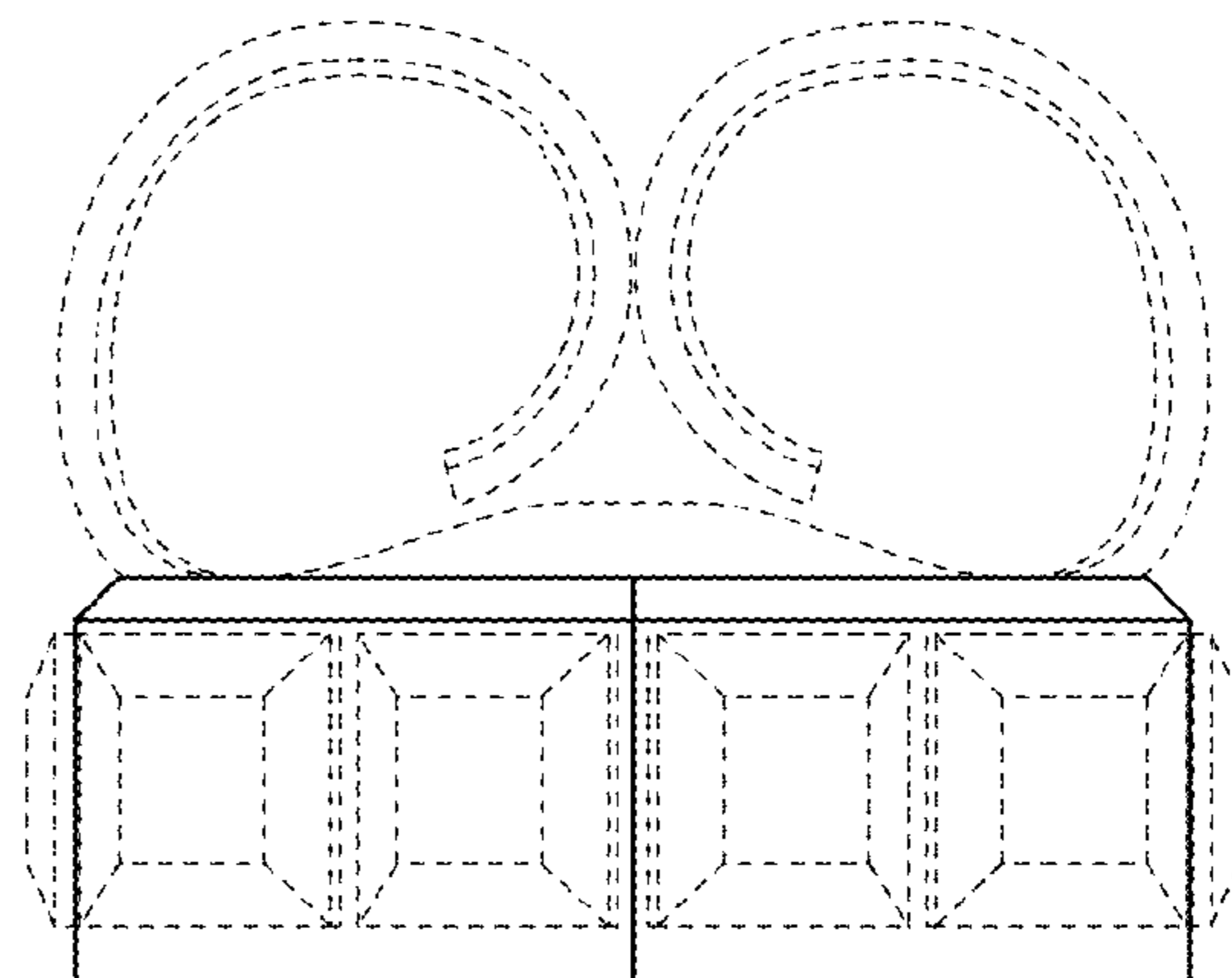


FIG. 12

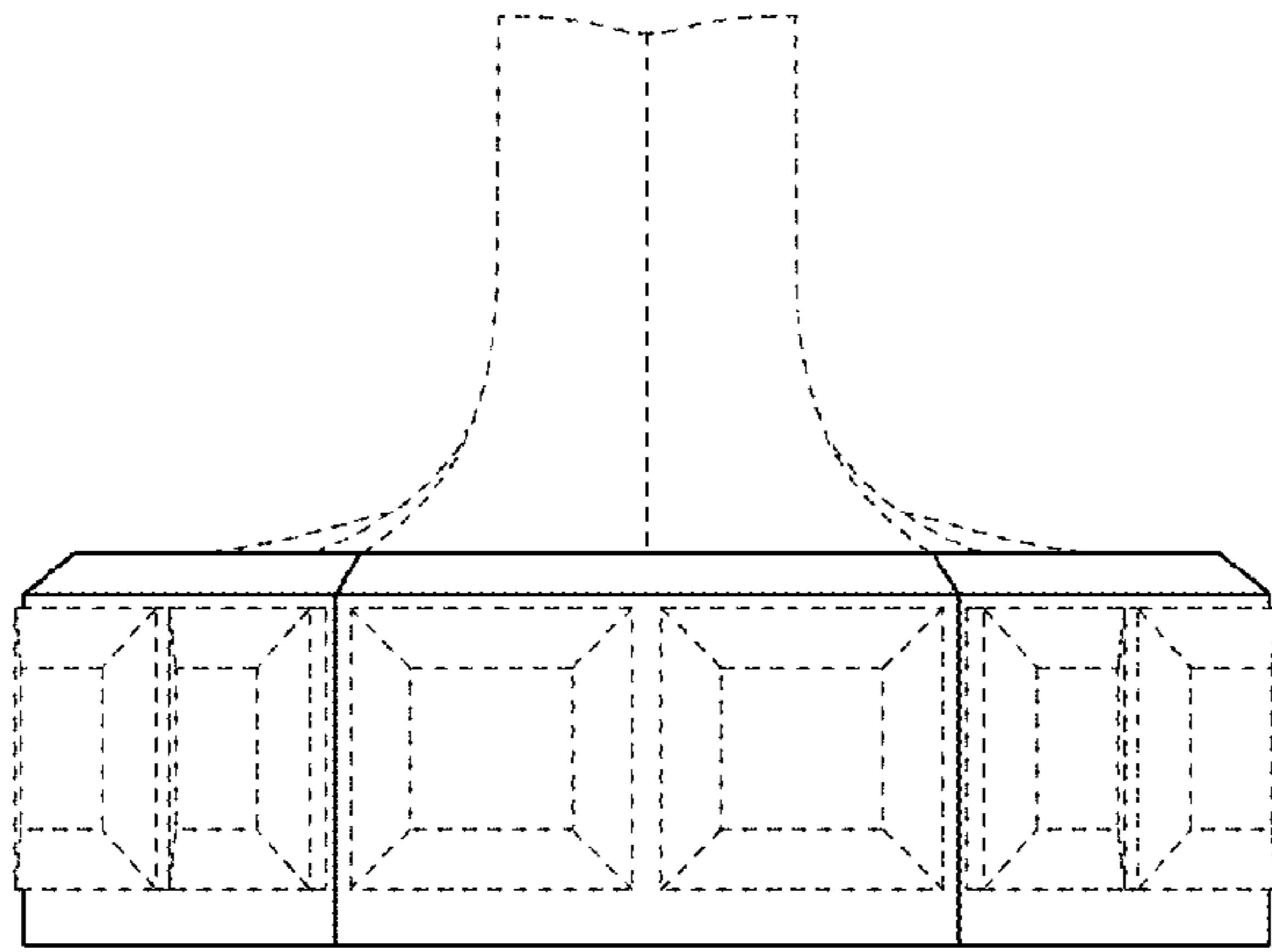


FIG. 13

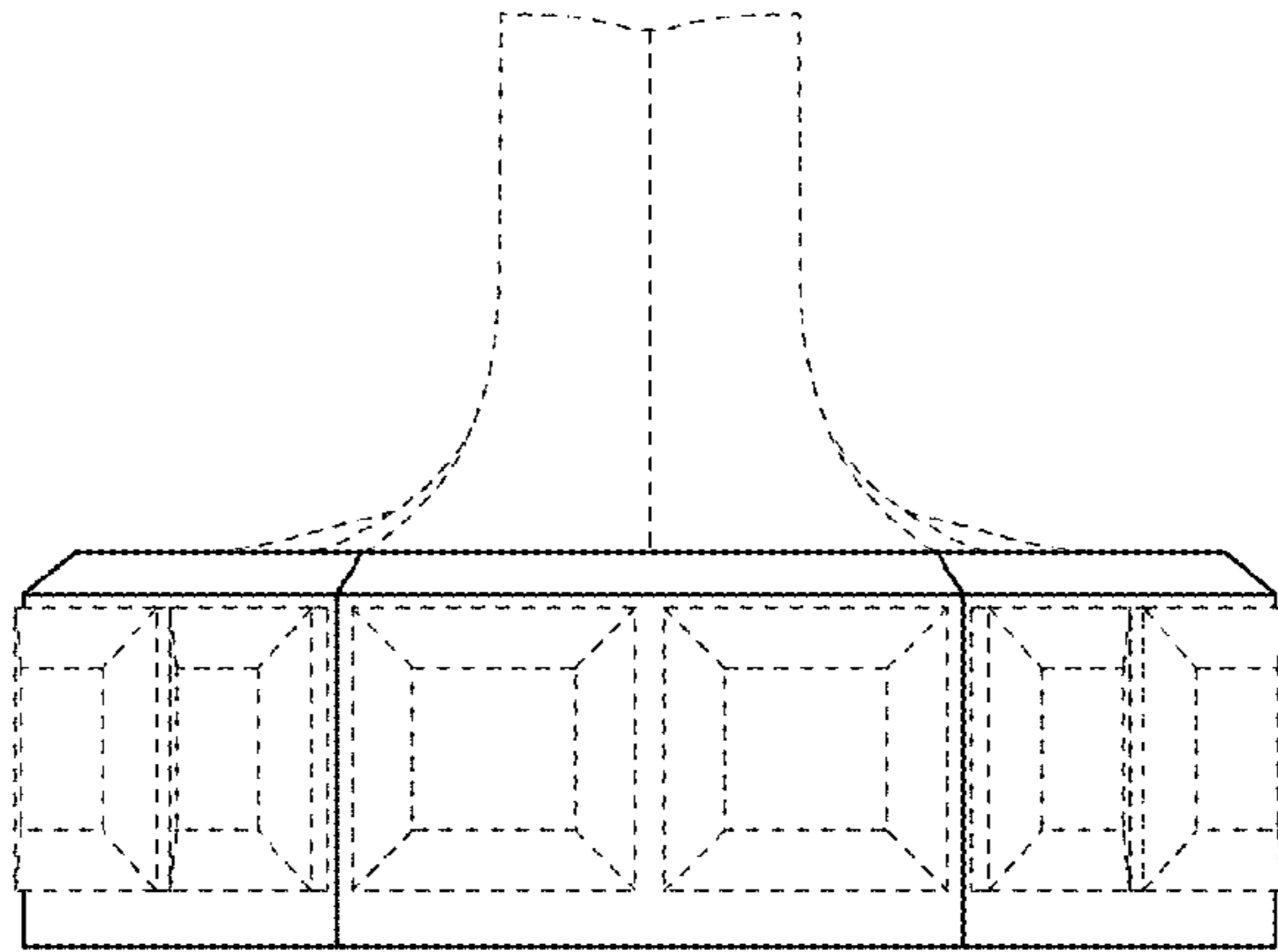


FIG. 14

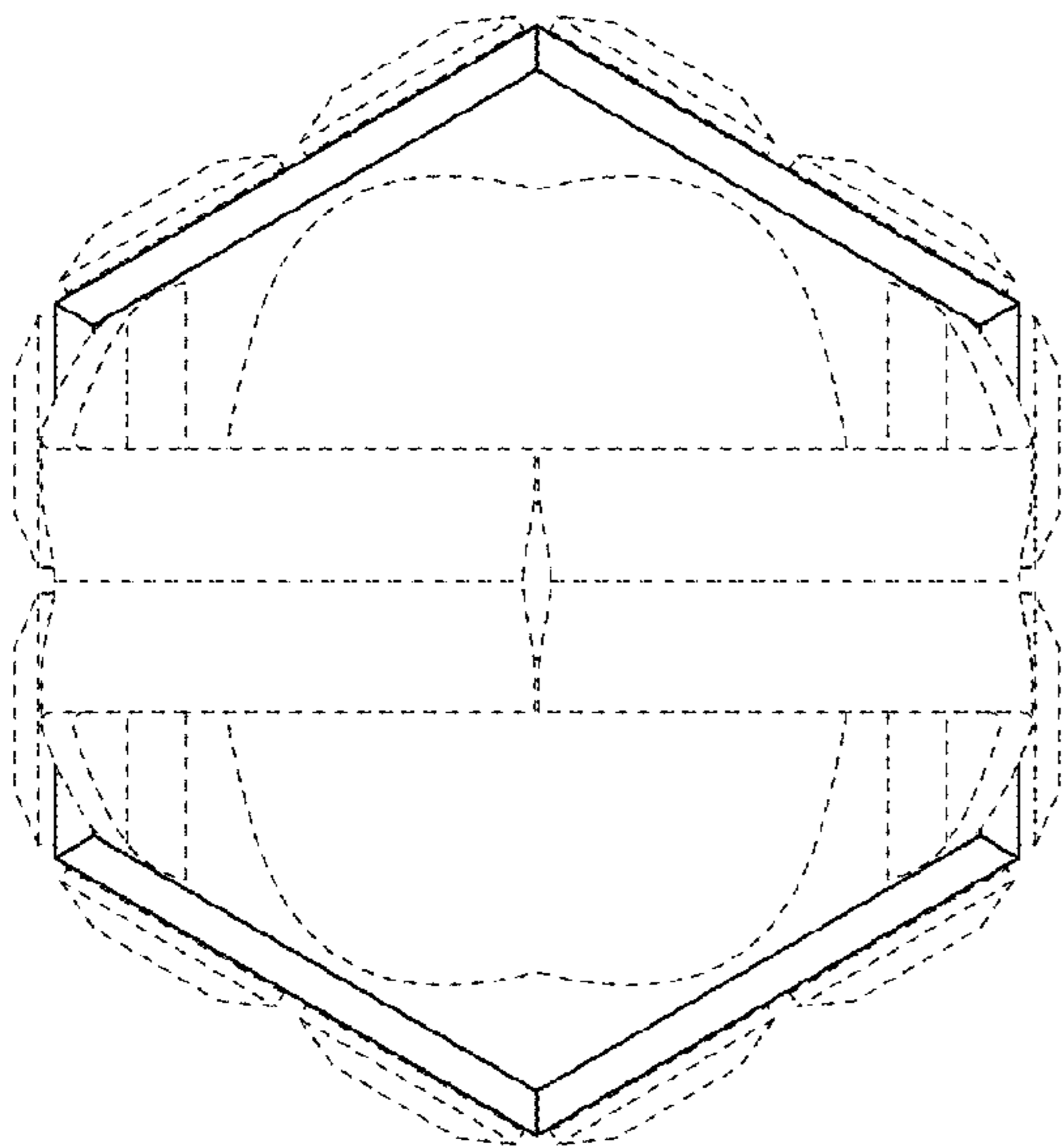


FIG. 15

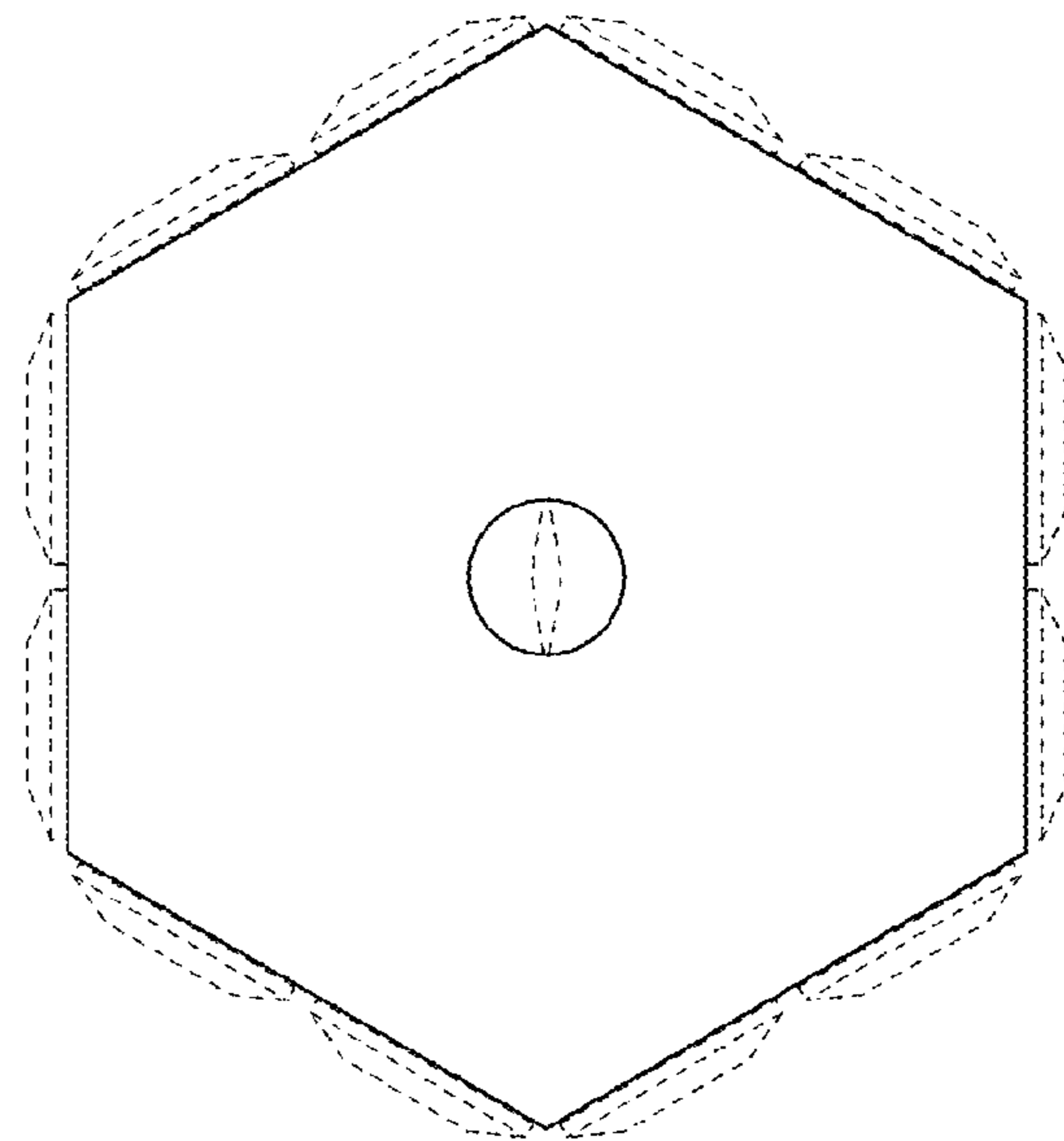


FIG. 16

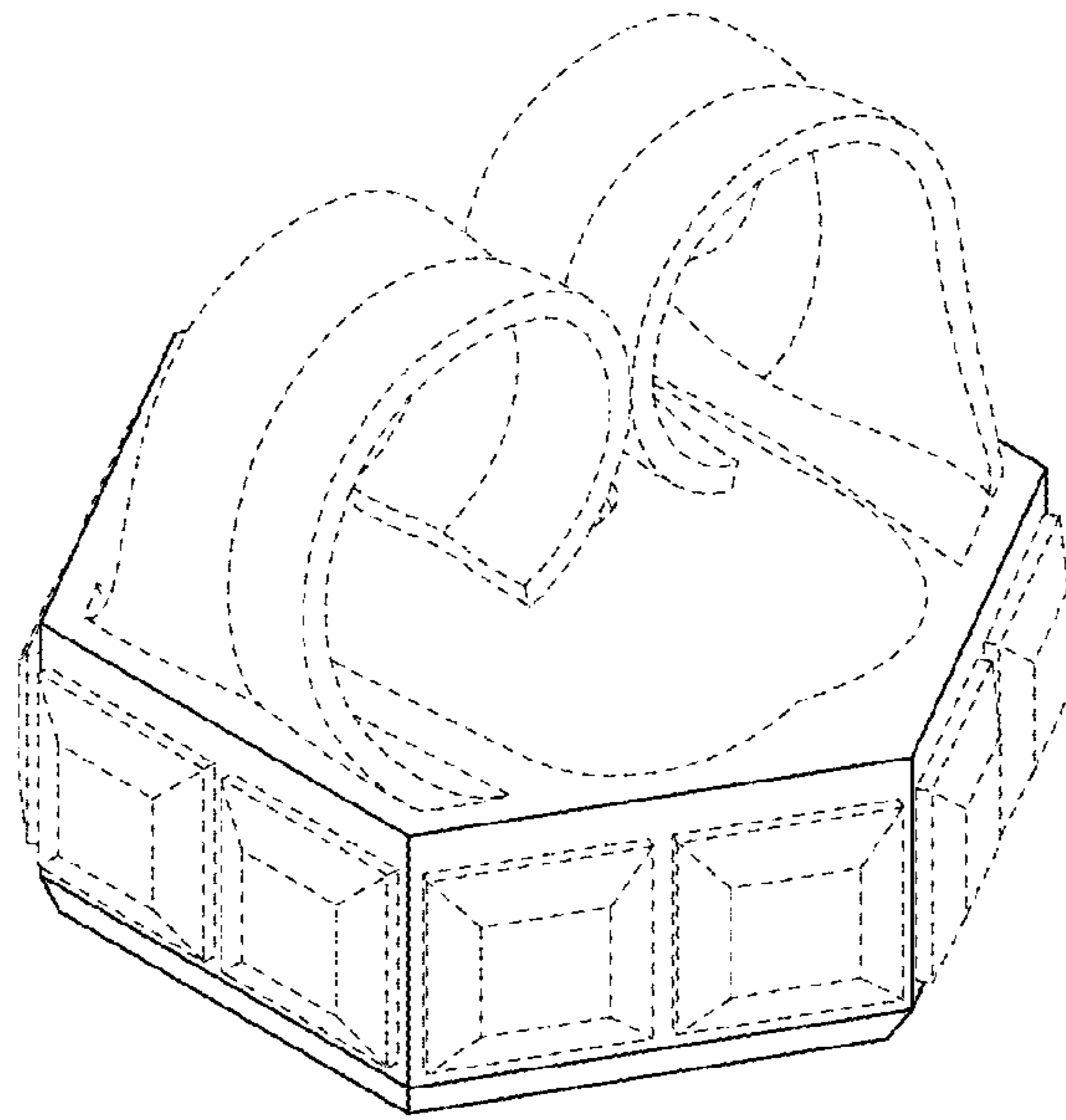


FIG. 17

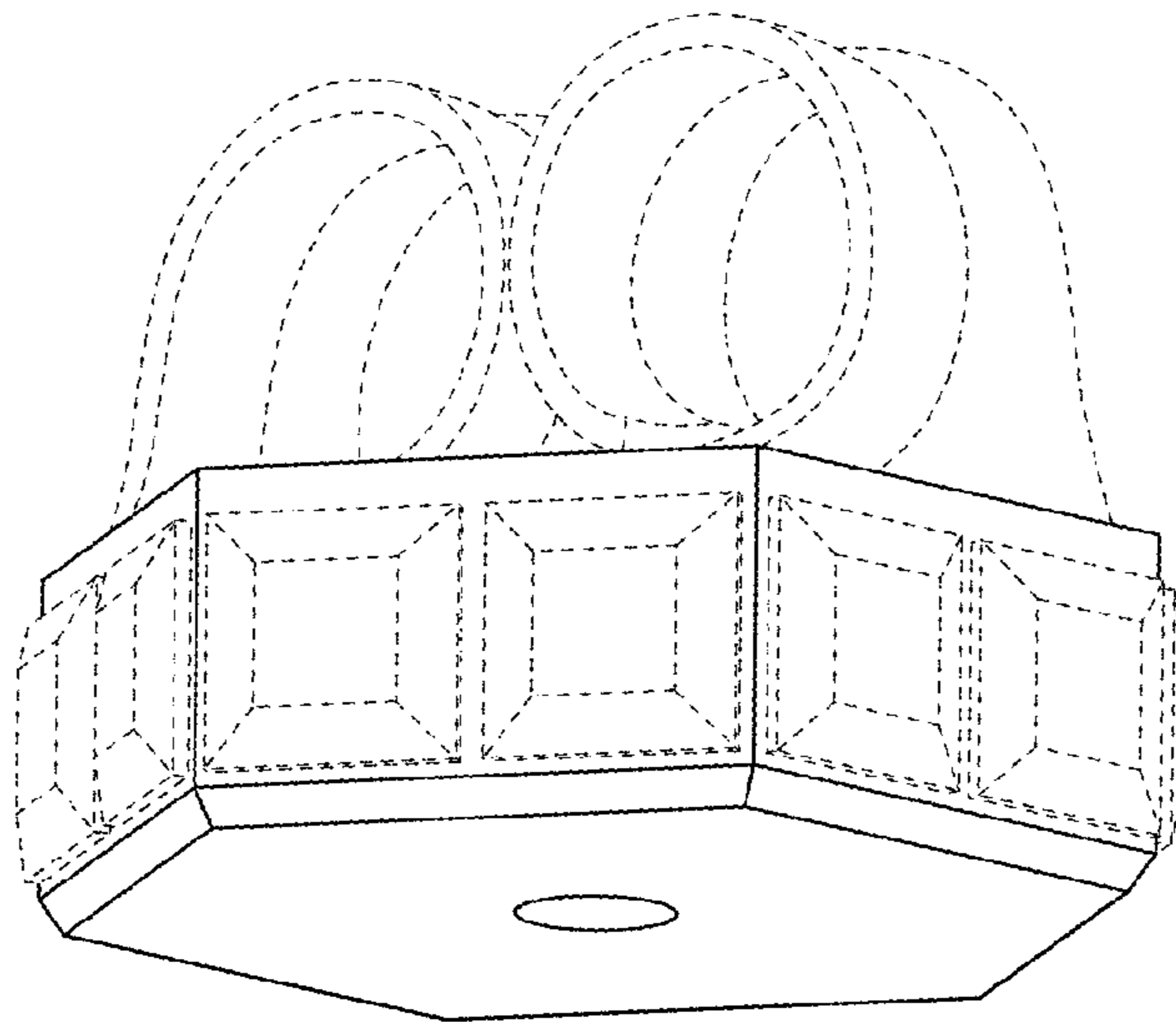


FIG. 18

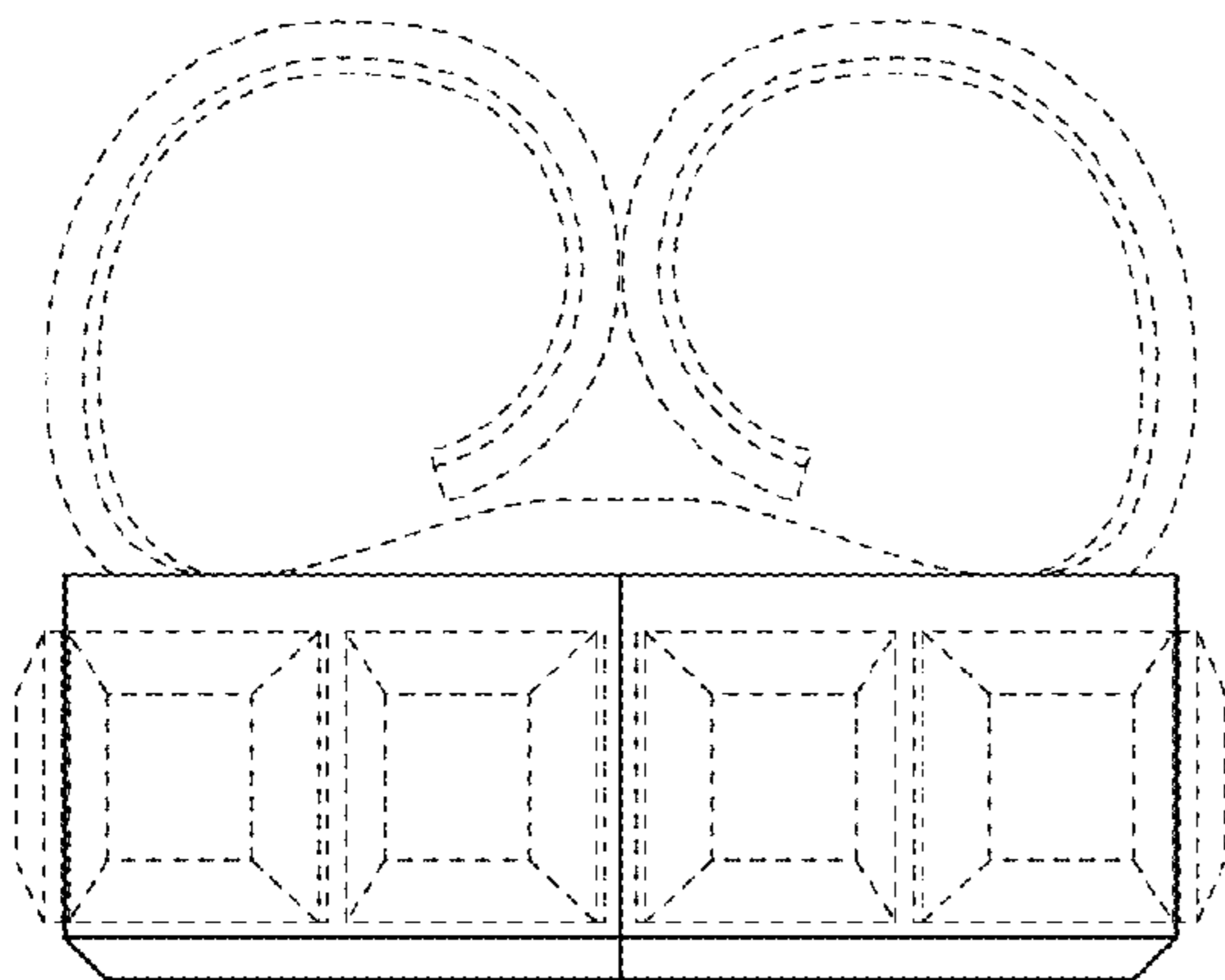


FIG. 19

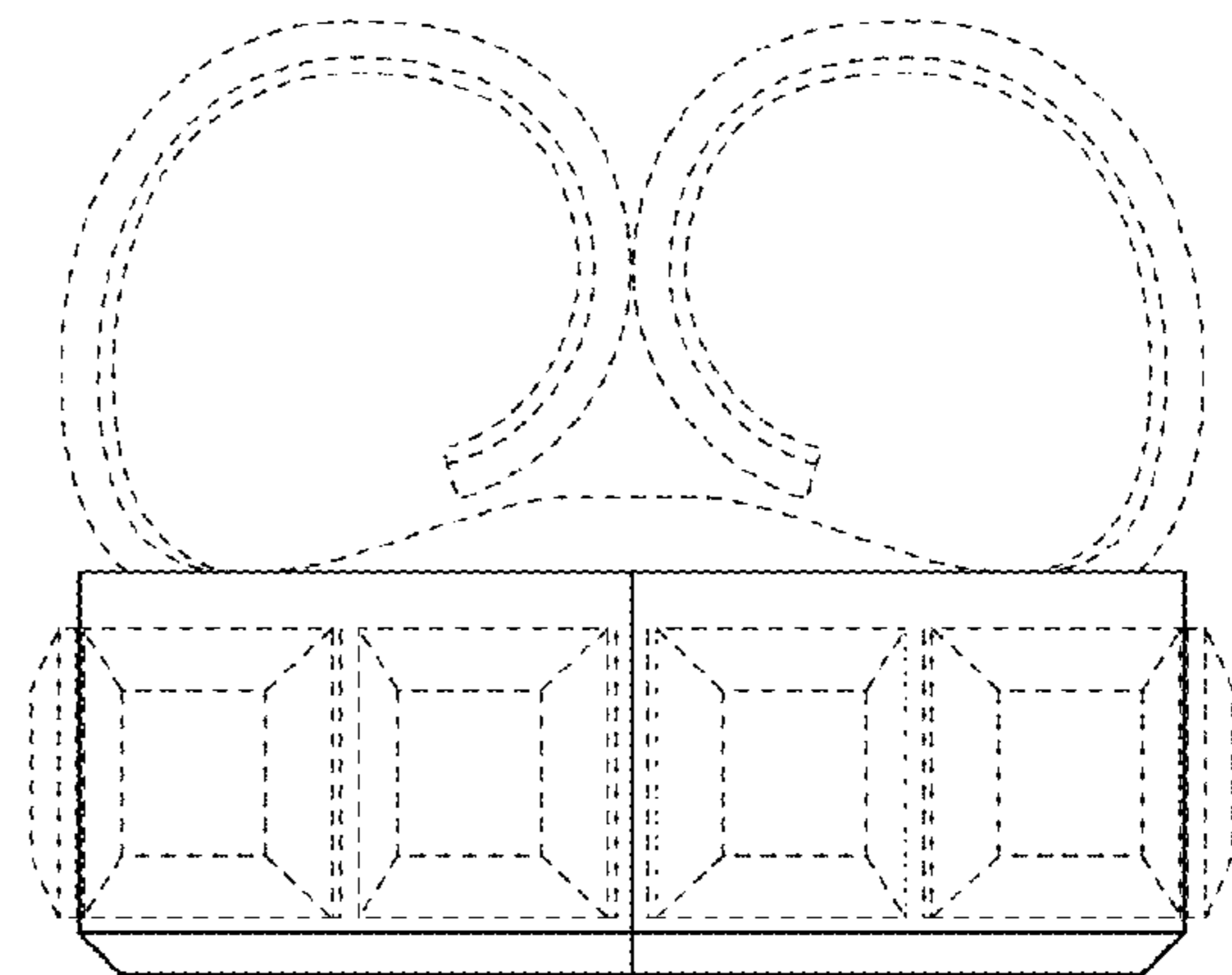


FIG. 20

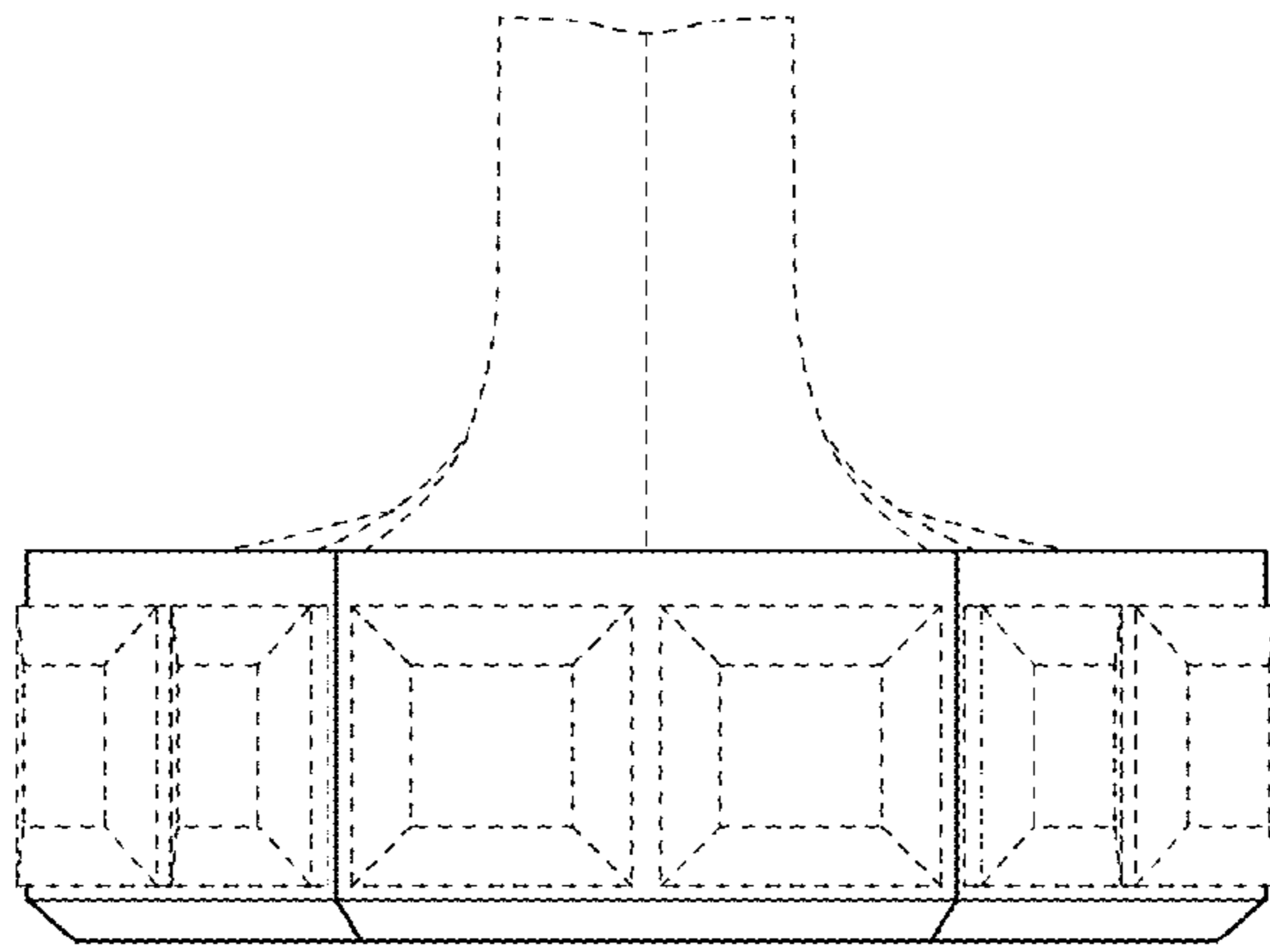


FIG. 21

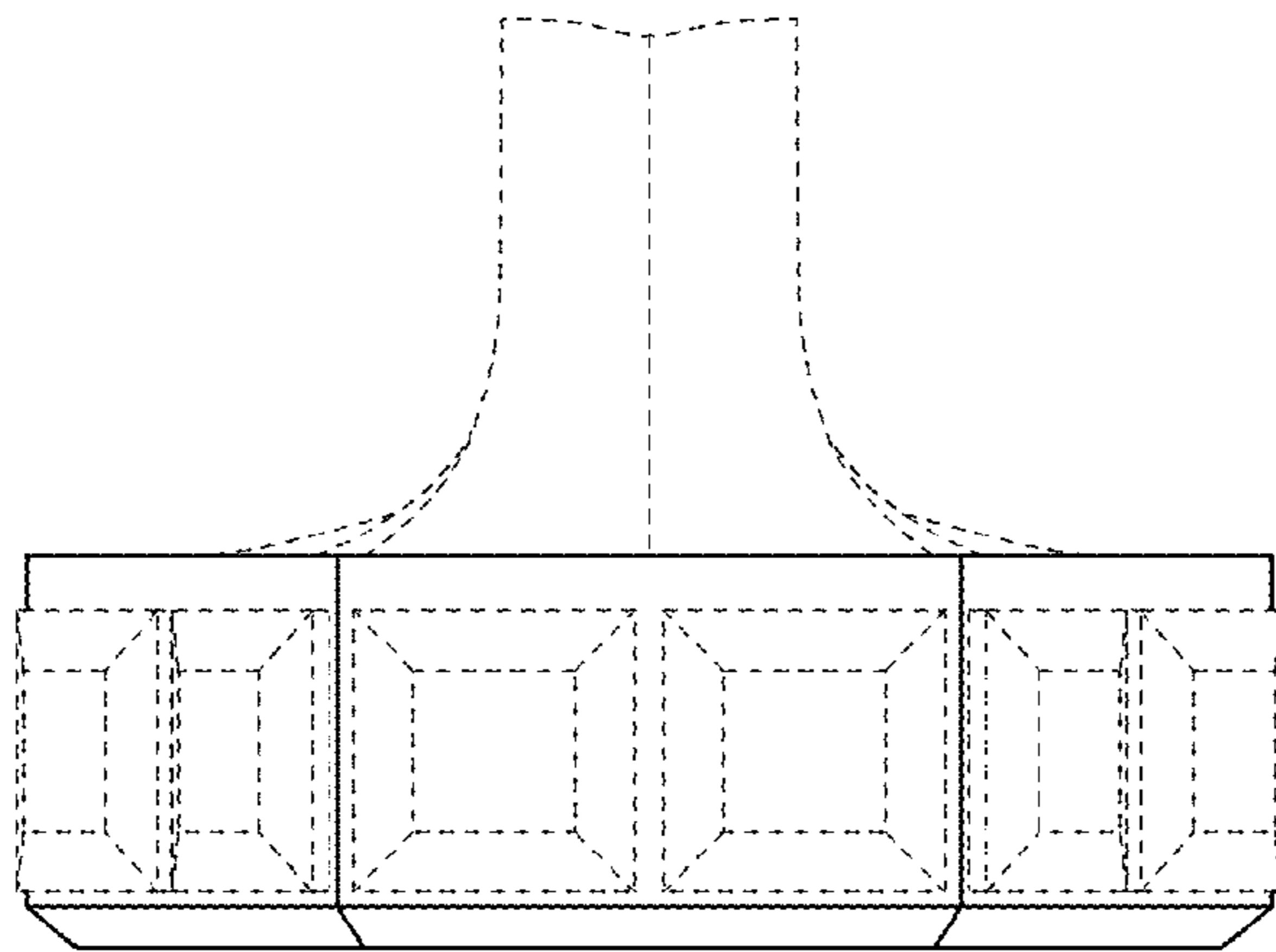


FIG. 22

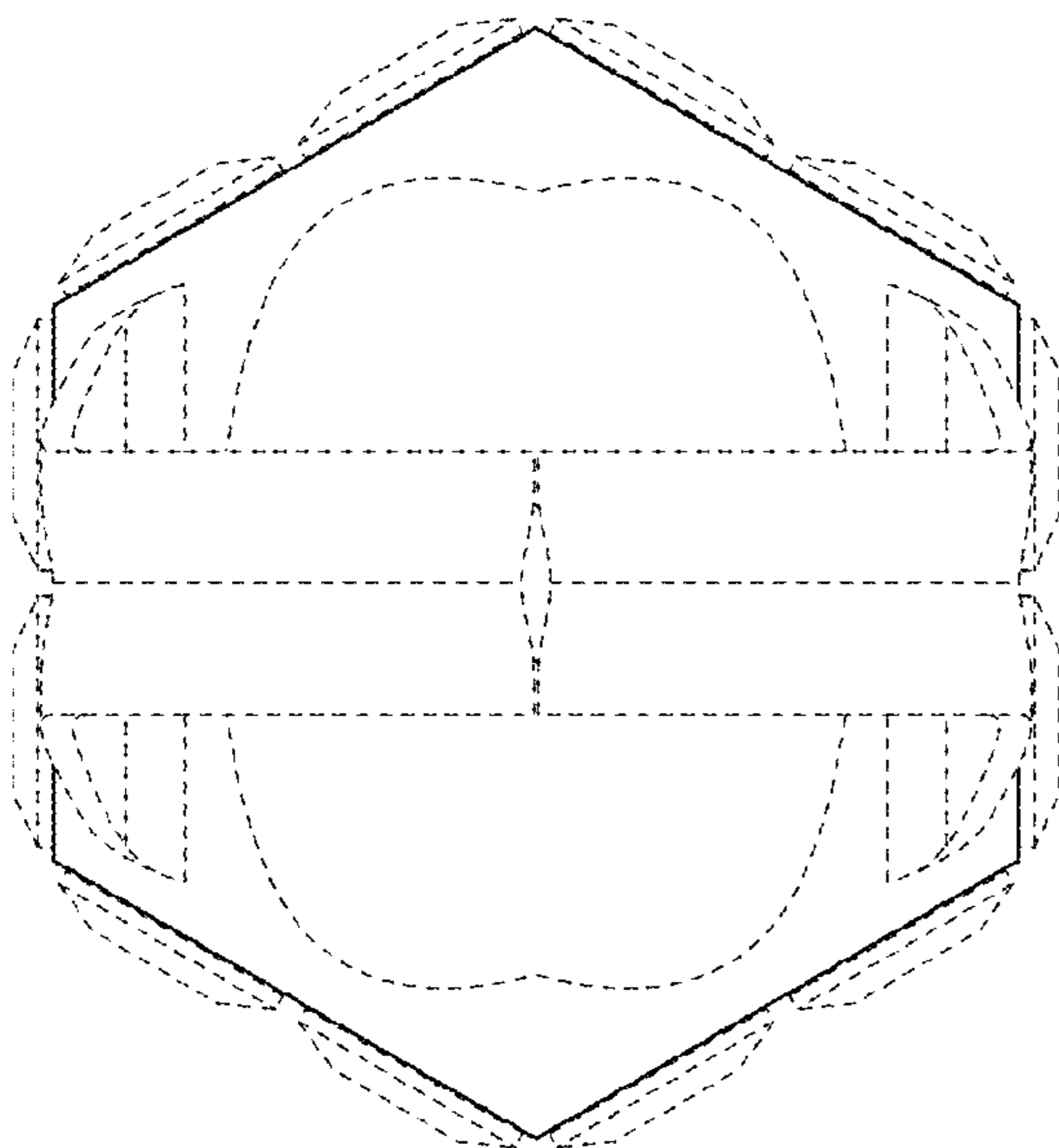


FIG. 23

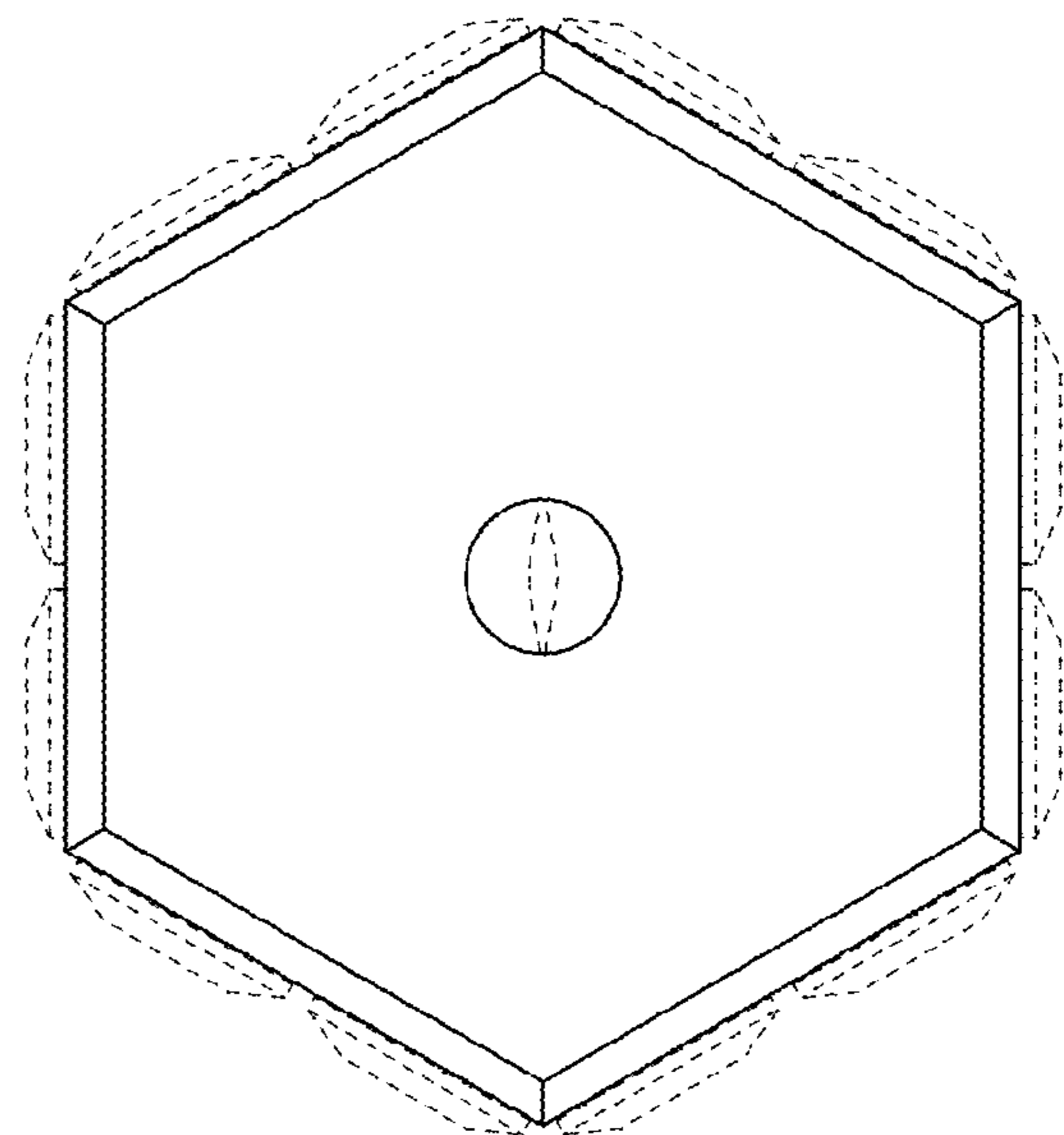


FIG. 24

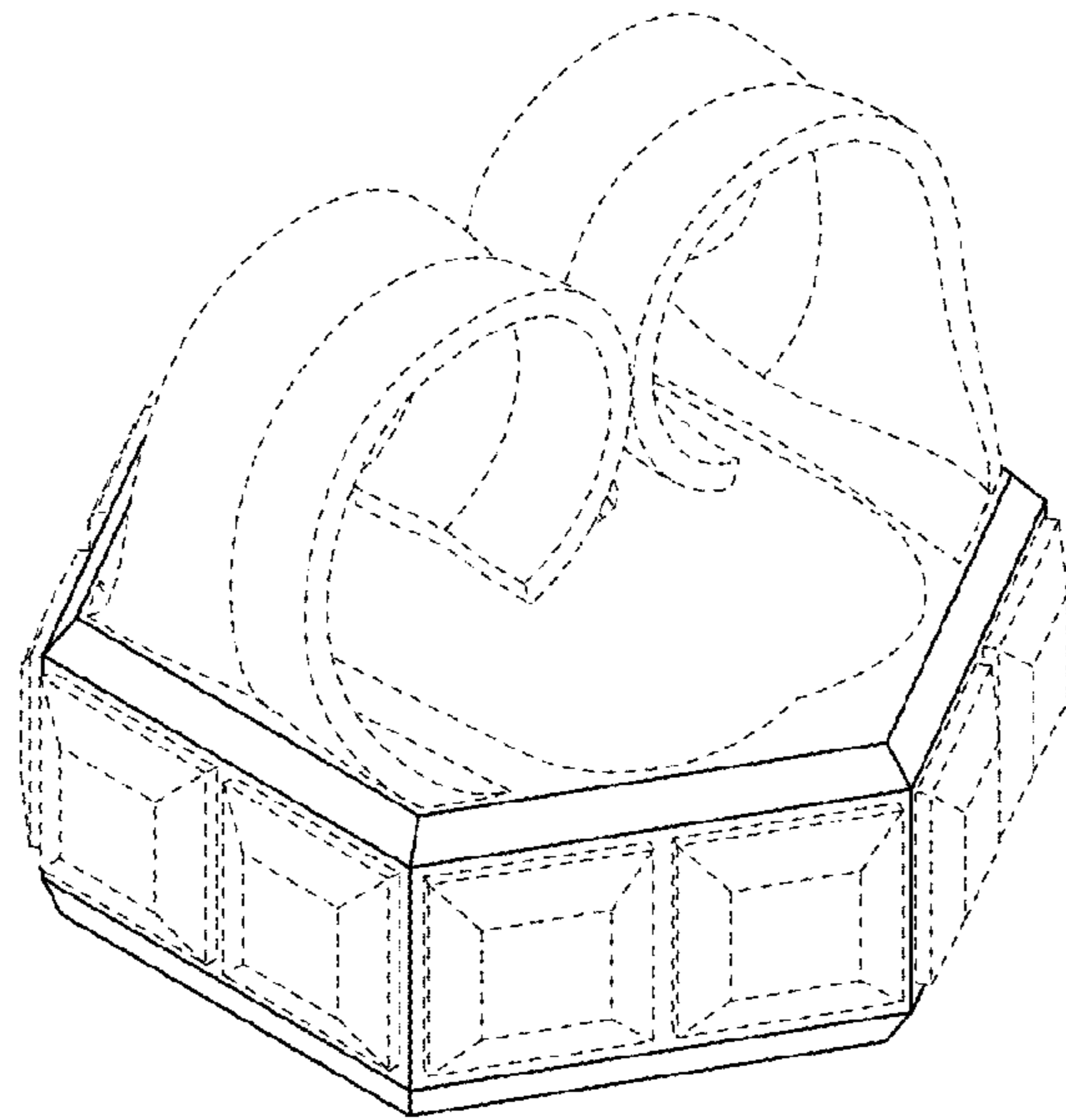


FIG. 25

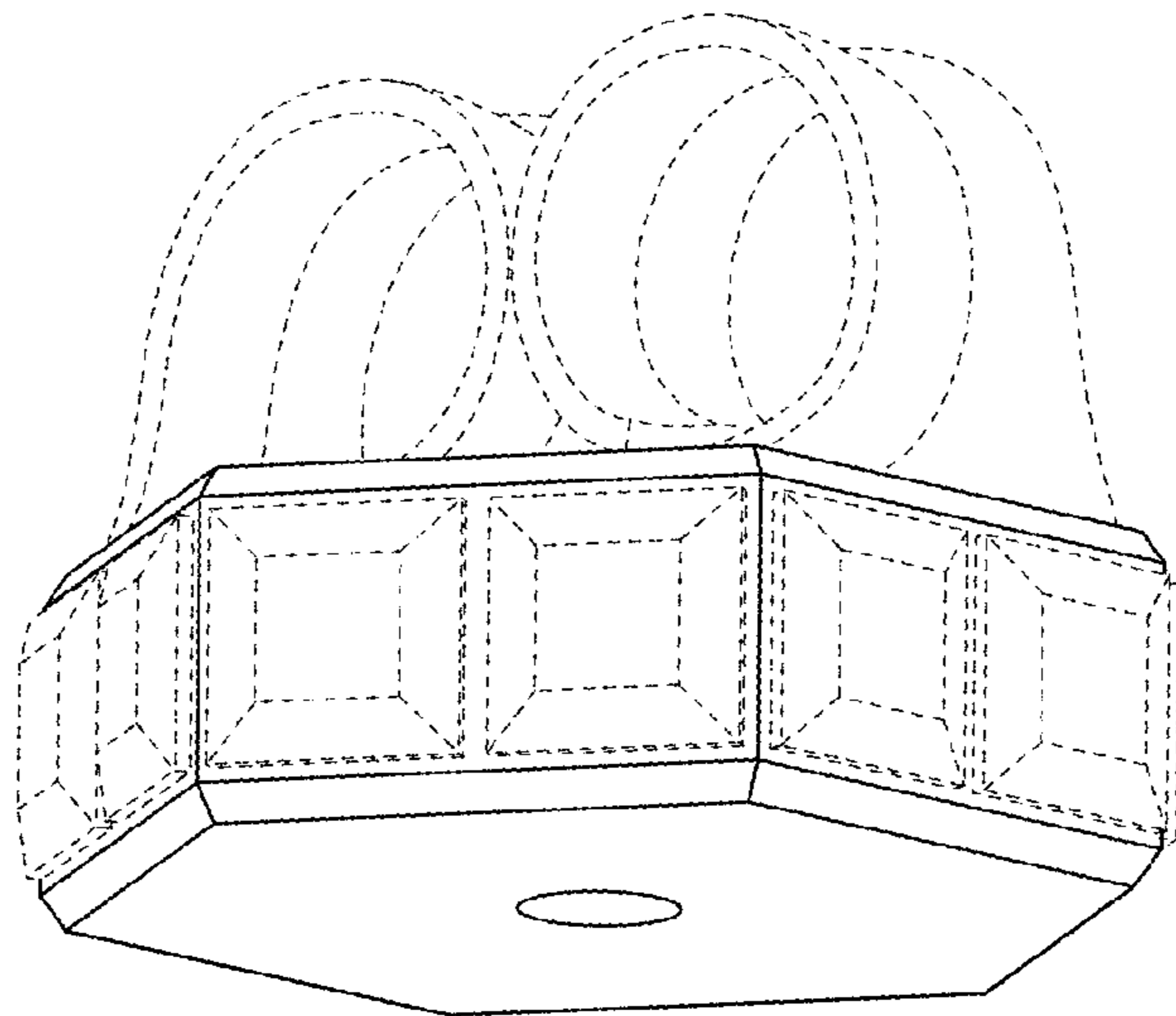


FIG. 26

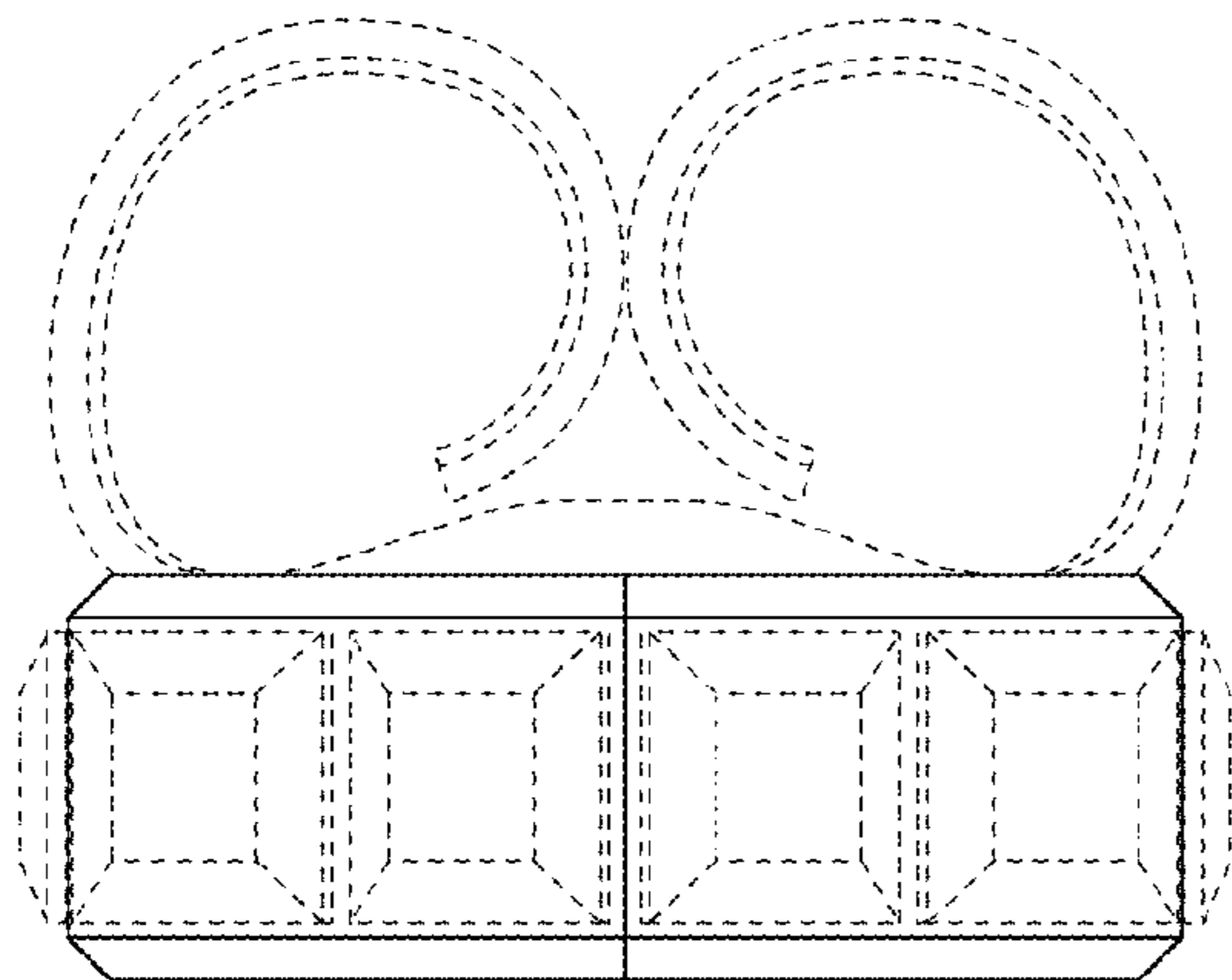


FIG. 27

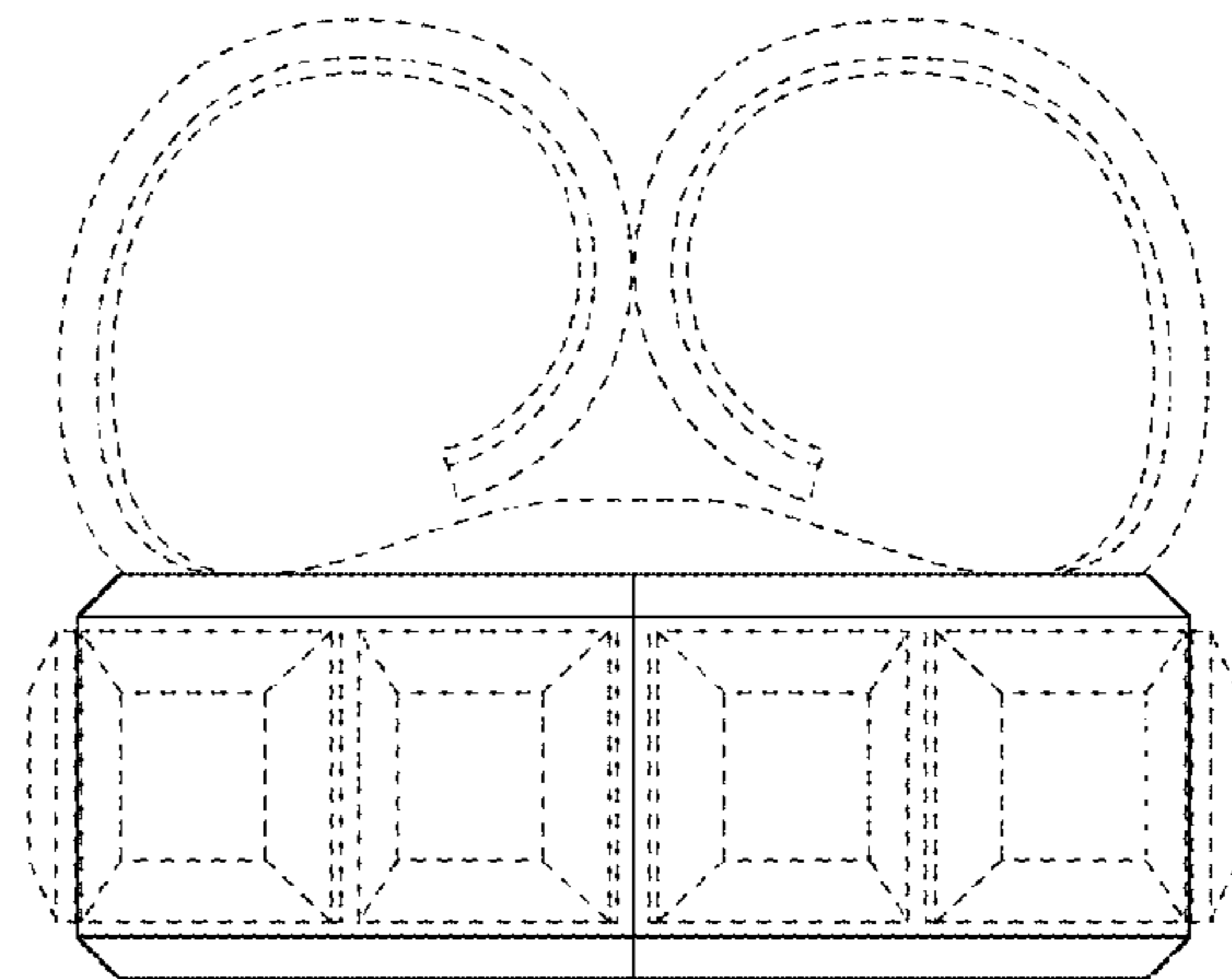


FIG. 28

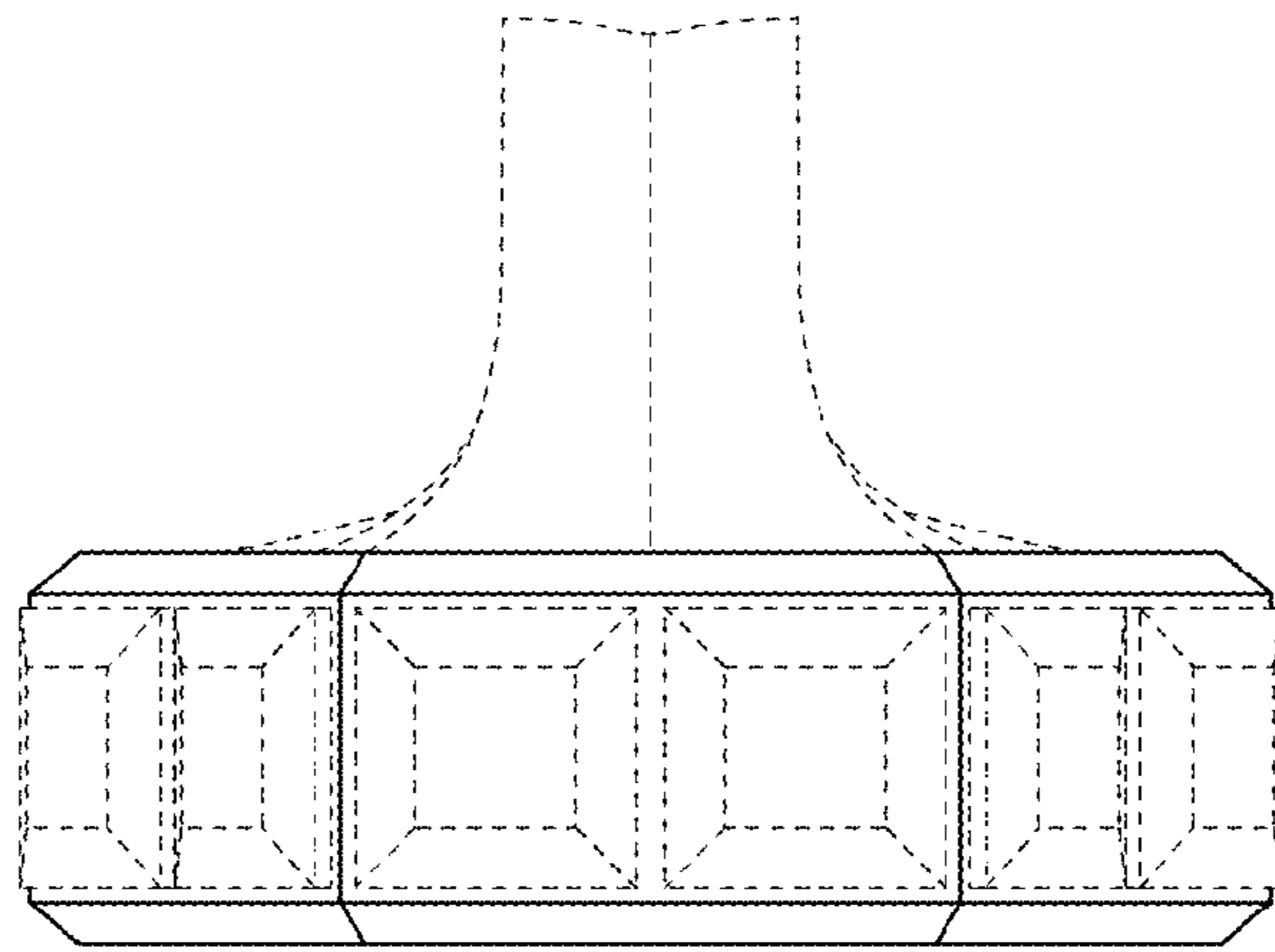


FIG. 29

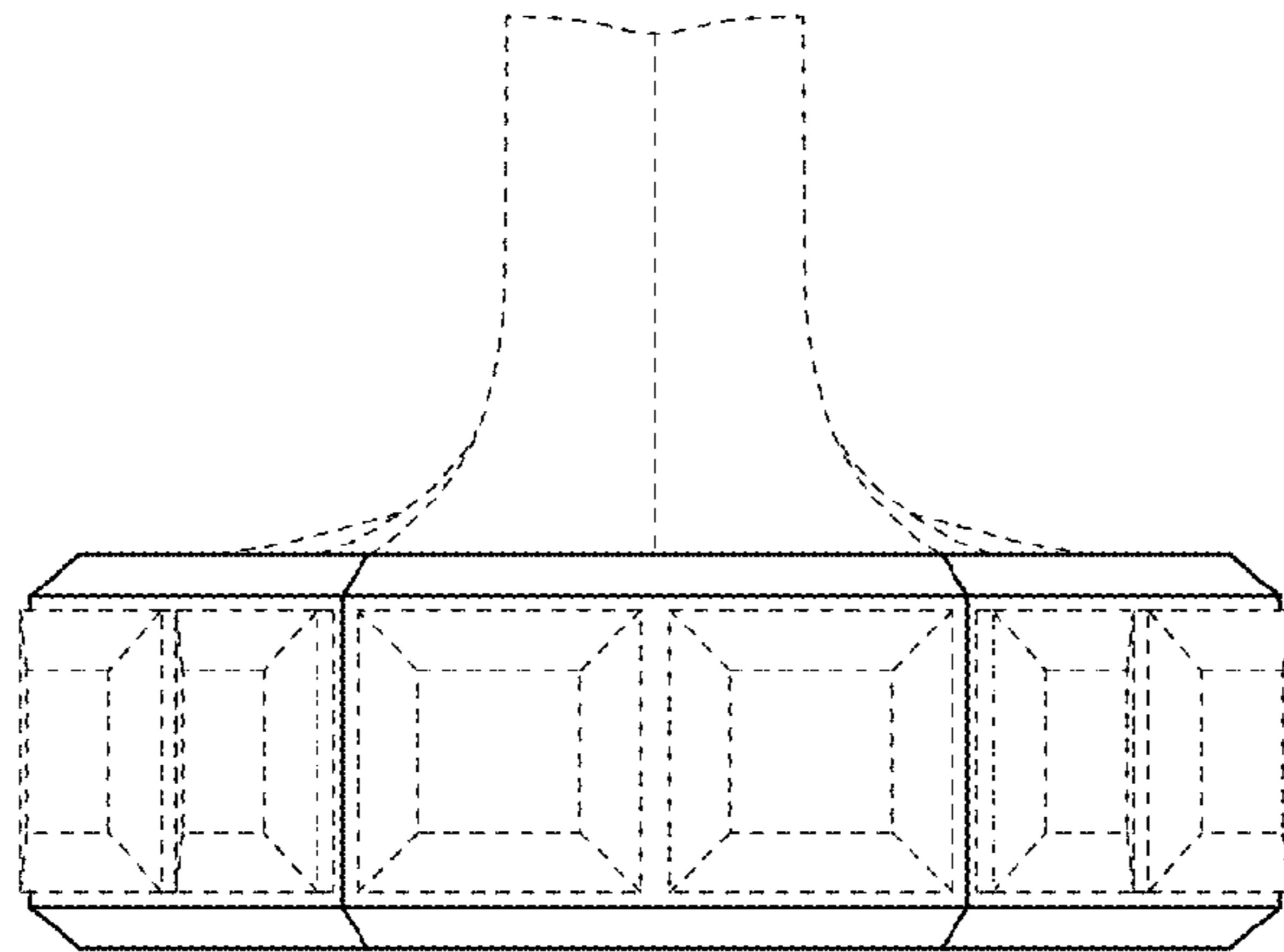


FIG. 30

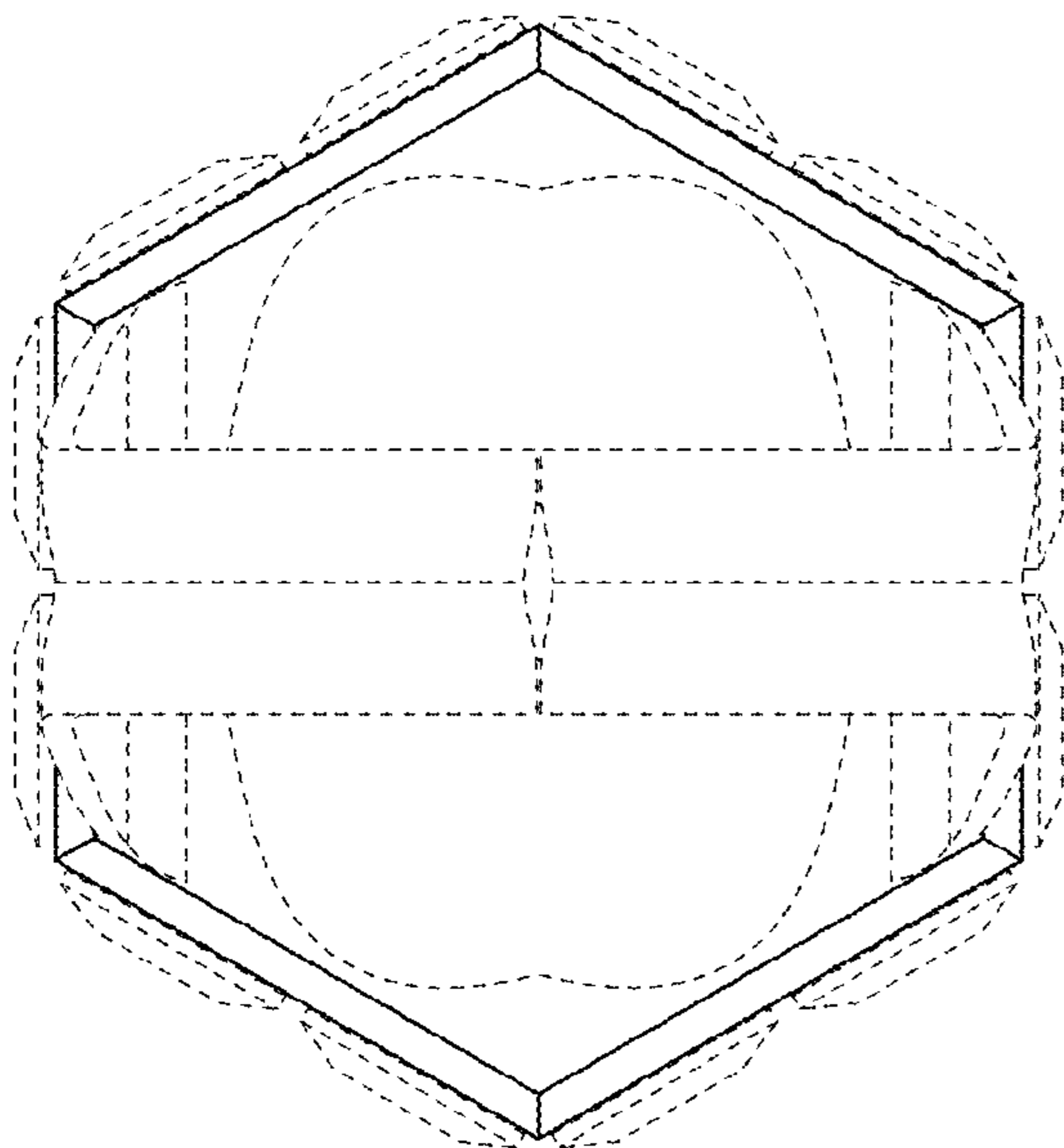


FIG. 31

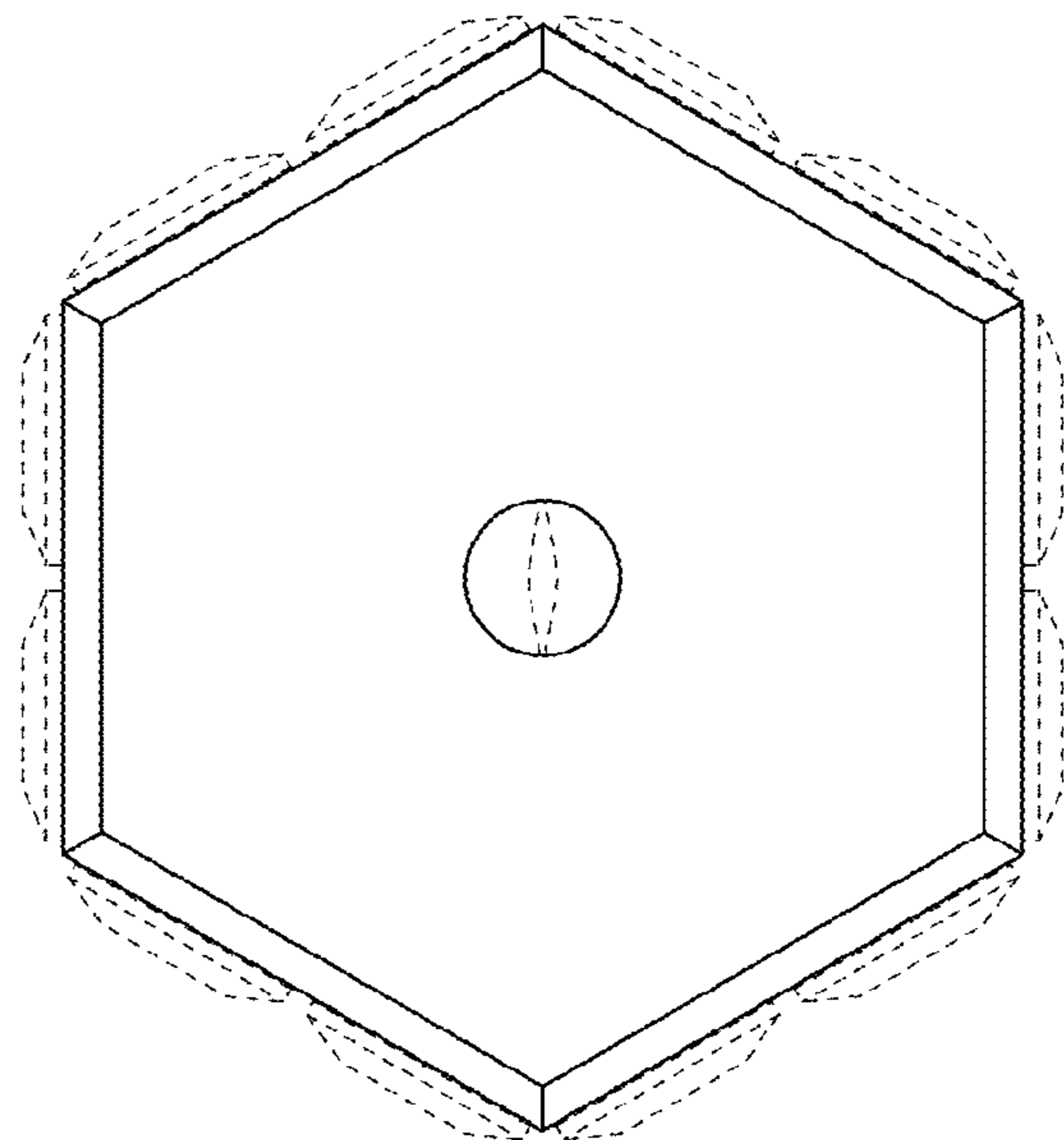


FIG. 32