



US00D984918S

(12) **United States Design Patent**
Wu

(10) **Patent No.:** **US D984,918 S**

(45) **Date of Patent:** **** May 2, 2023**

(54) **DOORBELL BASE**

(71) Applicant: **Shenzhen Yize Innovation Technology Co., Ltd.**, Shenzhen (CN)

(72) Inventor: **Jinhong Wu**, Shenzhen (CN)

(**) Term: **15 Years**

(21) Appl. No.: **29/855,172**

(22) Filed: **Sep. 30, 2022**

(51) **LOC (14) Cl.** **10-06**

(52) **U.S. Cl.**
USPC **D10/121**

(58) **Field of Classification Search**
USPC D10/118.2, 119.1–121, 113.4–114.3,
D10/114.5, 114.8, 109.1, 120–121, 111
CPC Y02B 20/40; H05B 47/19; H05K 5/0204
See application file for complete search history.

(56) **References Cited**

U.S. PATENT DOCUMENTS

- D215,373 S * 9/1969 Reimuller D10/115
- D261,118 S * 10/1981 Perhacs, Jr. D10/116.1
- D275,462 S * 9/1984 Beeson D10/121
- D281,865 S * 12/1985 Abel D10/106.1
- D288,246 S * 2/1987 Wing D26/34
- D318,437 S * 7/1991 Kojima D10/106.1
- D513,709 S * 1/2006 Coward D10/120
- D514,466 S * 2/2006 Lai D10/120
- D579,810 S * 11/2008 Campman D10/104.1
- D643,765 S * 8/2011 Huang D10/114.2
- D703,083 S * 4/2014 Saikawa D8/353
- D743,290 S * 11/2015 Welch D10/121
- D806,596 S * 1/2018 Thompson D10/121
- 10,117,309 B1 * 10/2018 Fu H05B 45/12
- 10,212,778 B1 * 2/2019 Fu F21S 8/033
- D860,024 S * 9/2019 Illouz D10/106.2
- D860,025 S * 9/2019 Illouz D10/106.2
- D874,966 S * 2/2020 Siminoff D10/121
- 10,555,393 B1 * 2/2020 Fu F21V 33/0052

- D878,905 S * 3/2020 Illouz D10/60
- 10,615,995 B2 * 4/2020 Yu H04L 12/4625
- D887,884 S * 6/2020 Oliveros D10/121
- D897,188 S * 9/2020 Illouz D10/106.2
- D904,218 S * 12/2020 Kousik D24/186
- 10,887,958 B1 * 1/2021 Fu G08B 3/00
- D925,384 S * 7/2021 England D10/121
- D926,066 S * 7/2021 England et al.
- 11,212,886 B1 * 12/2021 Fu H04N 5/23229
- D945,898 S * 3/2022 England et al.
- D946,442 S * 3/2022 Russo D10/121

(Continued)

FOREIGN PATENT DOCUMENTS

GB 6236323 * 11/2022

Primary Examiner — George D. Kirschbaum
Assistant Examiner — Antoinette Martine Suiter
(74) *Attorney, Agent, or Firm* — Daniel M. Cohn;
Howard M. Cohn

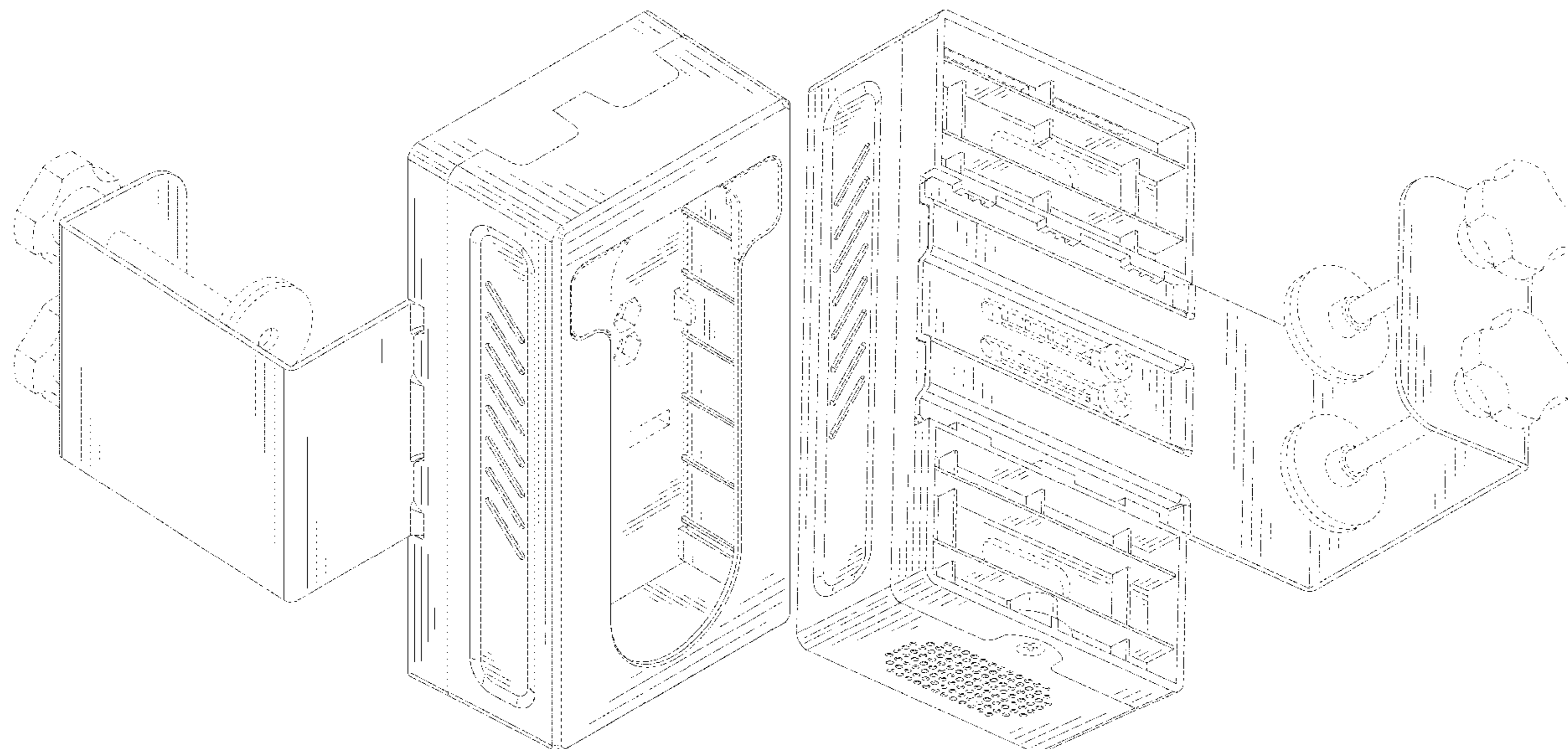
(57) **CLAIM**

The ornamental design for a doorbell base, as shown and described.

DESCRIPTION

FIG. 1 is a perspective view of a doorbell base showing my new design;
FIG. 2 is another perspective view thereof;
FIG. 3 is a front elevational view thereof;
FIG. 4 is a rear elevational view thereof;
FIG. 5 is a left side elevational view thereof;
FIG. 6 is a right side elevational view thereof;
FIG. 7 is a top plan view thereof;
FIG. 8 is a bottom plan view thereof; and,
FIG. 9 is an exploded perspective view of the doorbell base. The dash-dash broken lines in the drawings depict portions of the doorbell base that form no part of the claimed design.

1 Claim, 9 Drawing Sheets



(56)

References Cited

U.S. PATENT DOCUMENTS

D946,443 S * 3/2022 Russo D10/121
11,304,274 B1 * 4/2022 Fu H04N 7/183
D953,909 S * 6/2022 Pan D10/121
11,394,928 B2 * 7/2022 Pritchett F16M 13/00
D968,995 S * 11/2022 Liu D10/121
D968,996 S * 11/2022 Zeng D10/121
D970,376 S * 11/2022 Zhou D10/121
2018/0220108 A1 * 8/2018 Siminoff G08B 13/1966
2021/0337090 A1 * 10/2021 Pritchett H04N 7/186

* cited by examiner

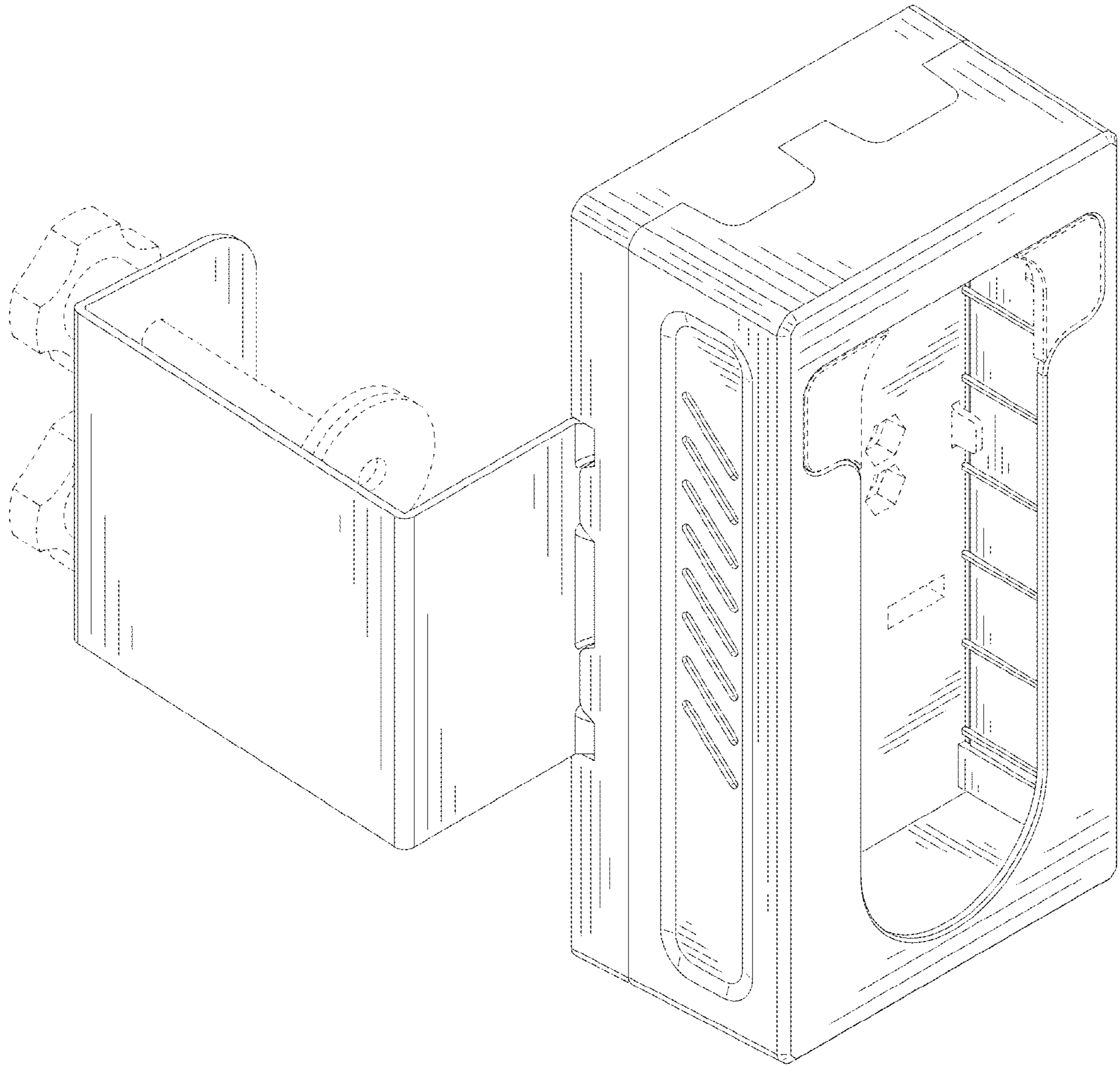


FIG. 1

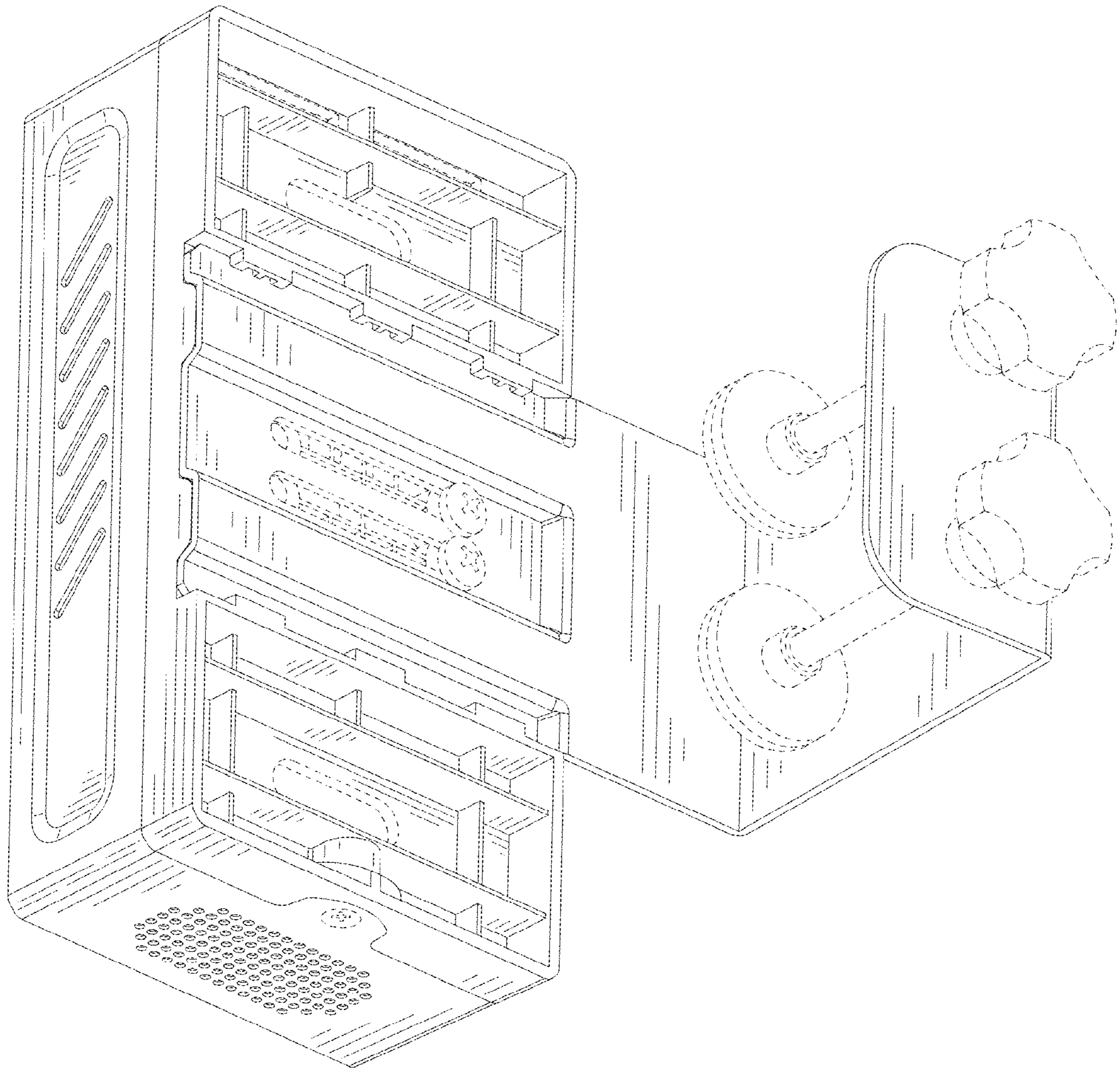


FIG. 2

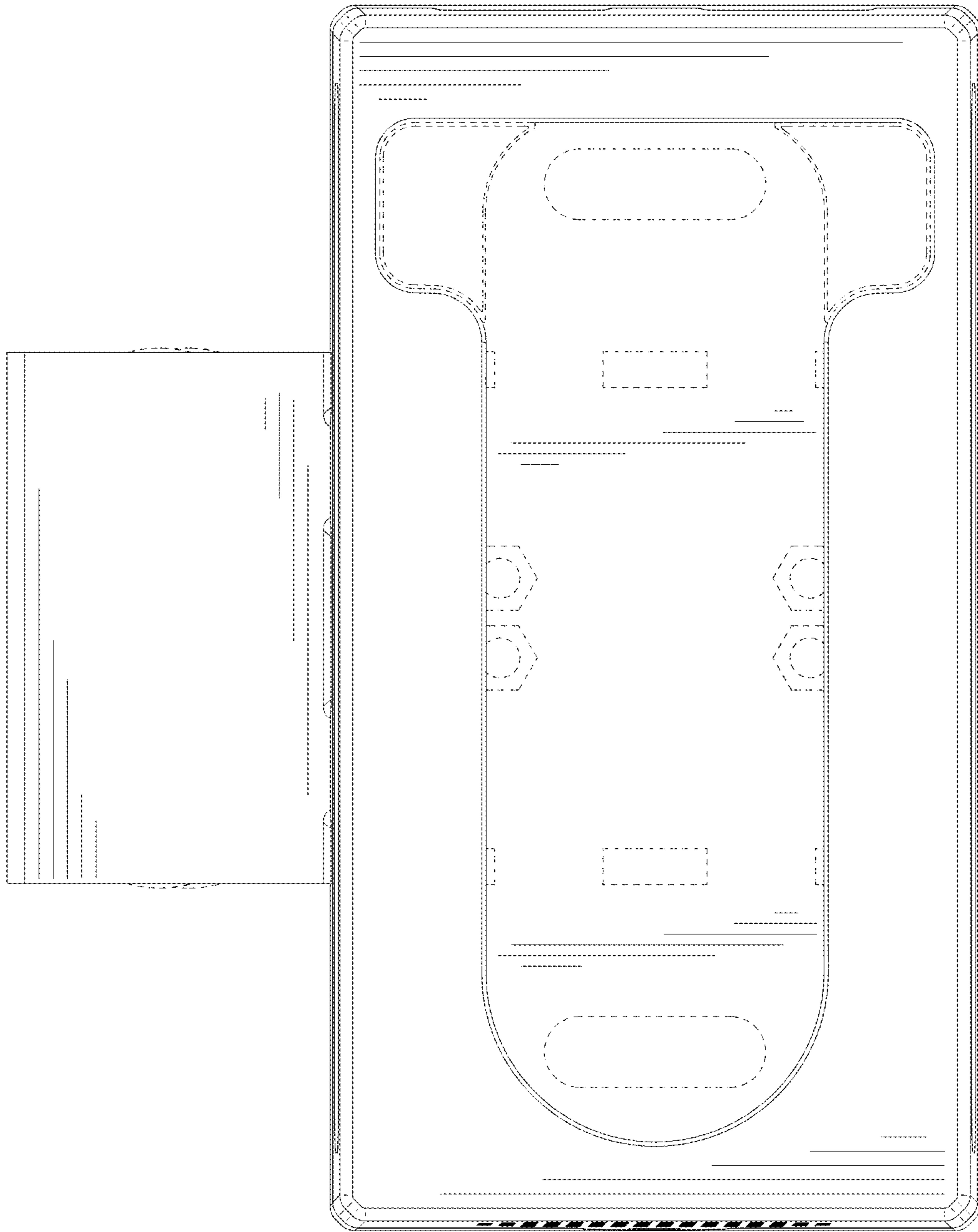


FIG. 3

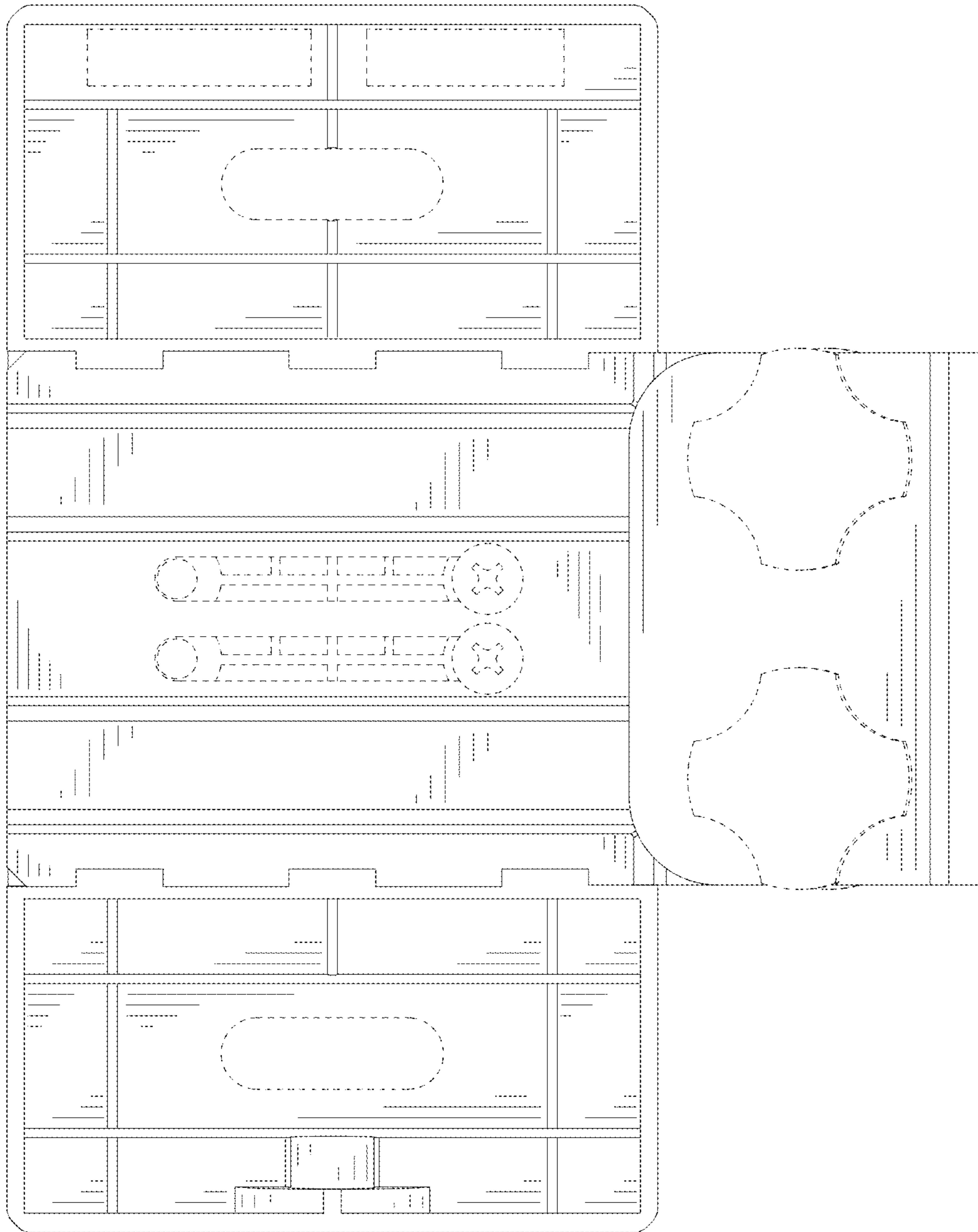


FIG. 4

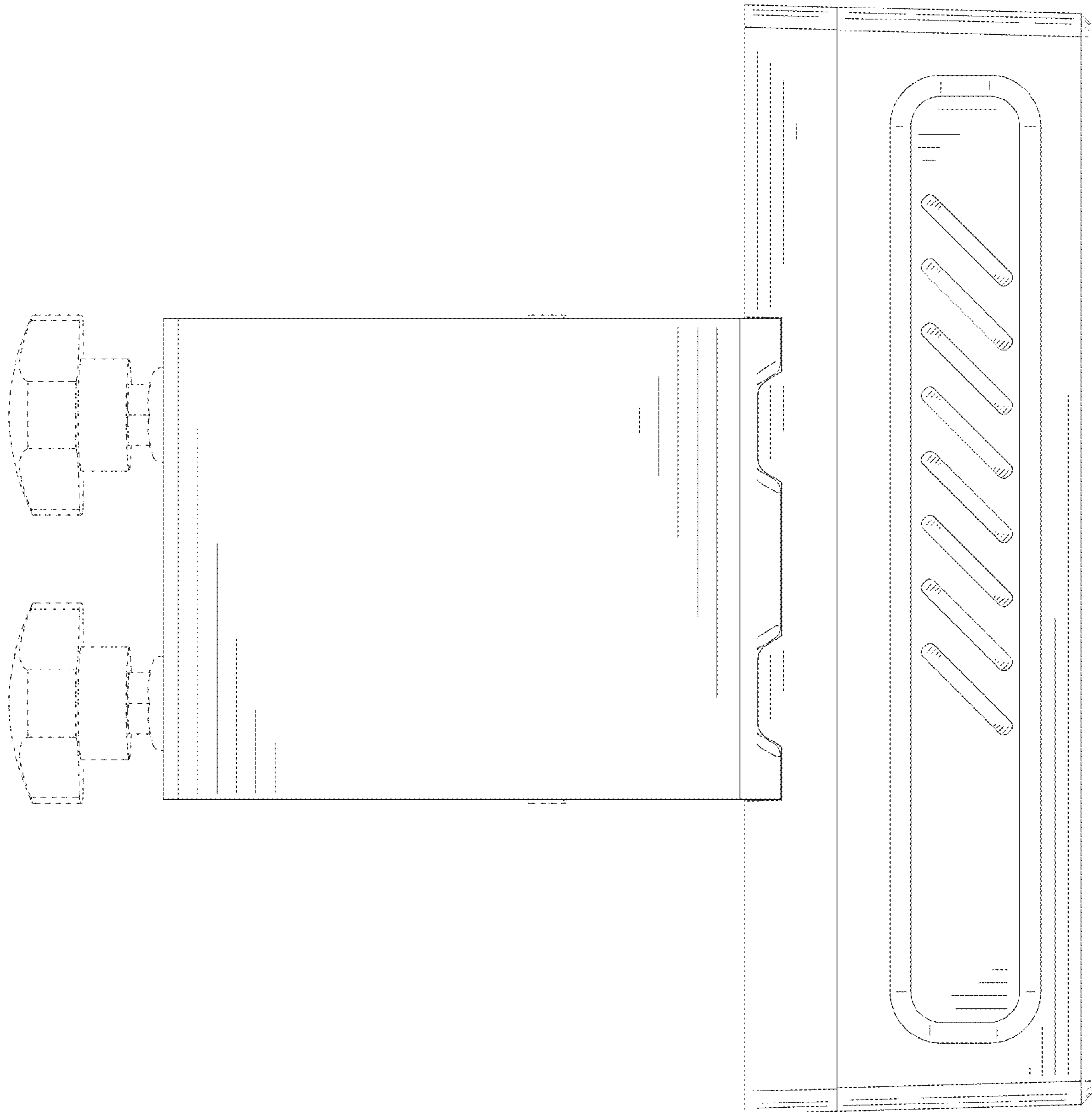


FIG. 5

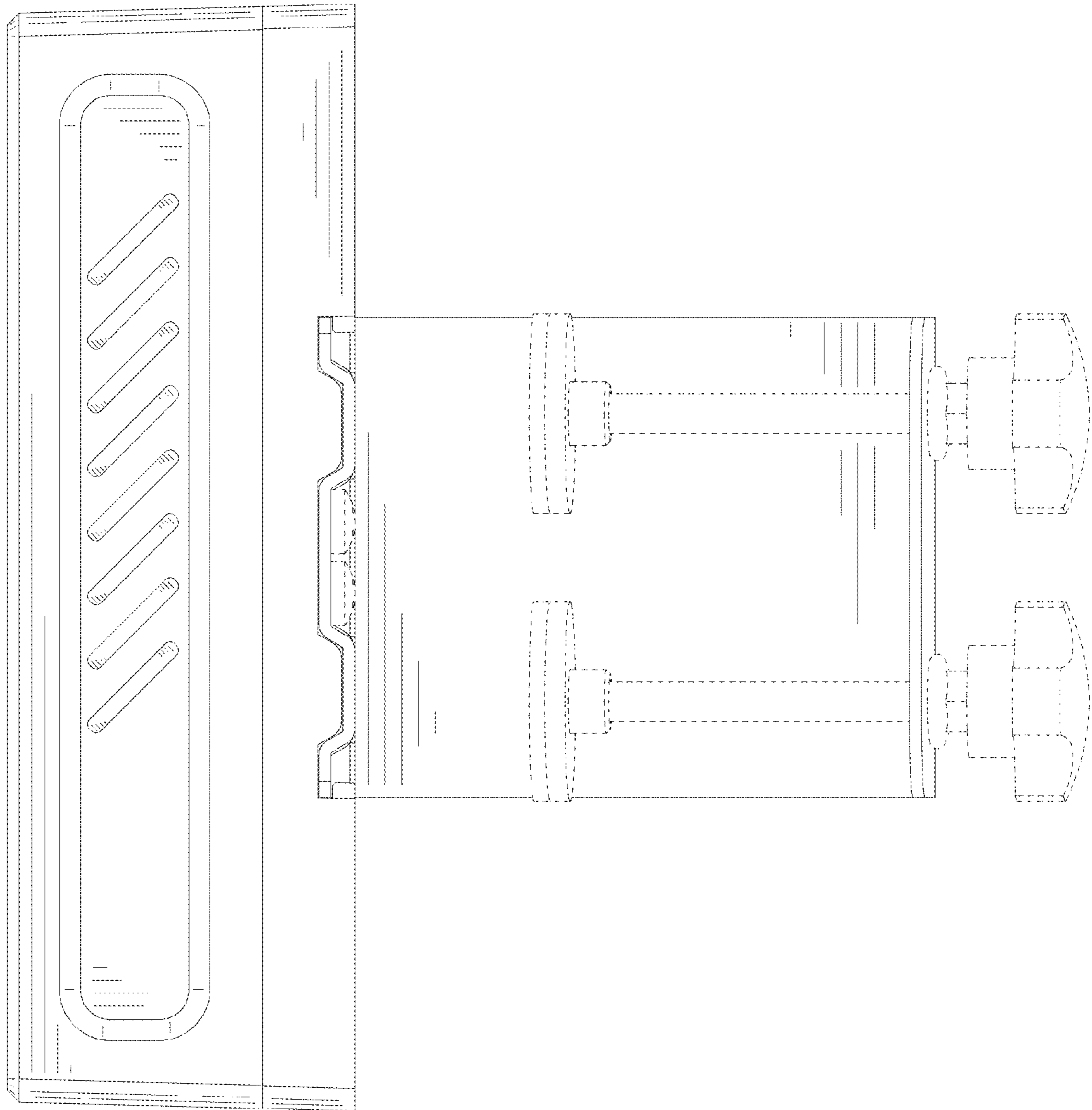


FIG. 6

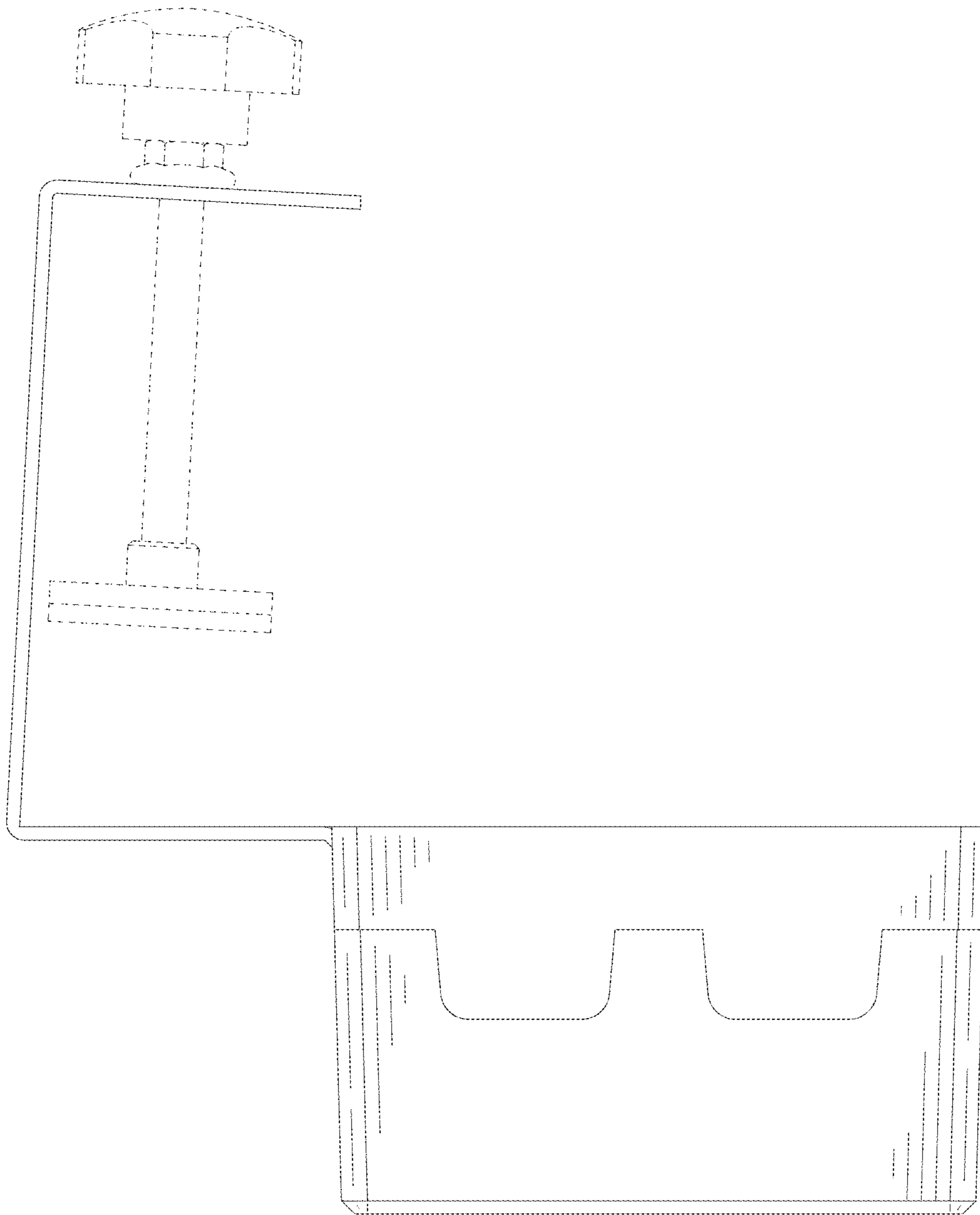


FIG. 7

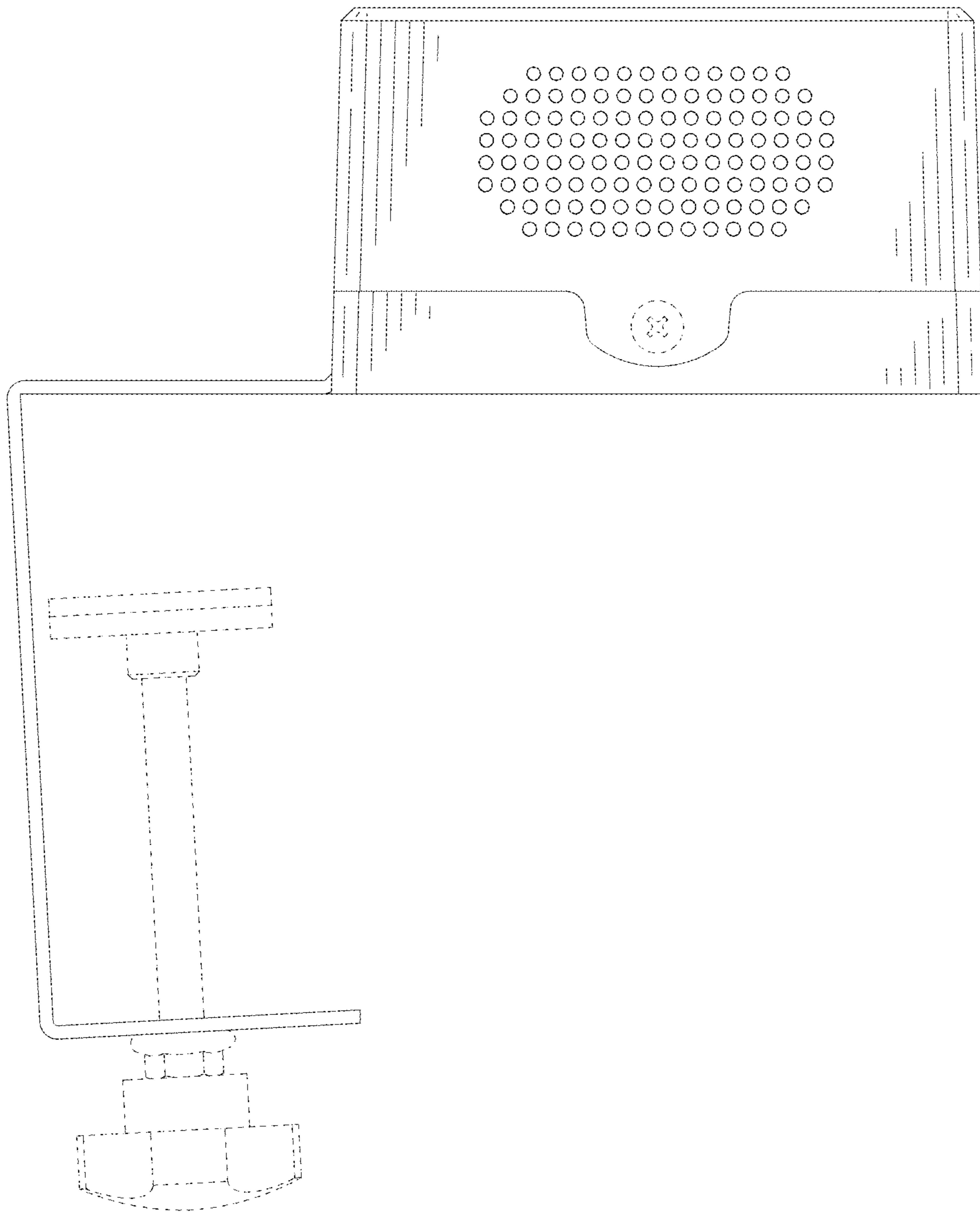


FIG. 8

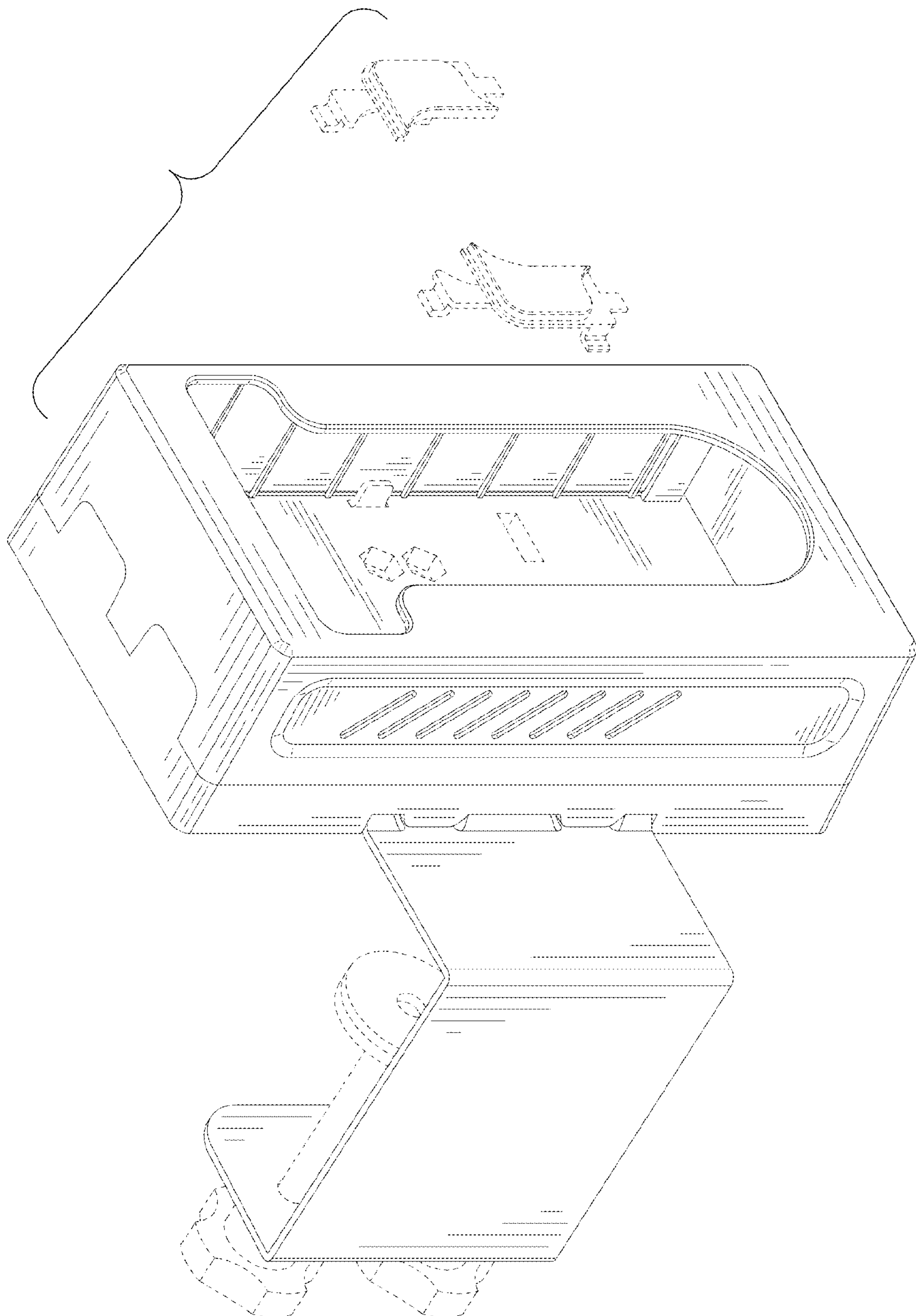


FIG. 9