



US00D984916S

(12) **United States Design Patent**  
**Cao et al.**

(10) **Patent No.:** **US D984,916 S**

(45) **Date of Patent:** **\*\* May 2, 2023**

(54) **WEIGHING SCALE WITH PENDANT WEIGH PLATFORM**

CPC ..... G01G 19/18; G01G 21/23; G01G 21/28; G01G 1/02; G01G 1/025; G01G 1/04; G01G 1/06; G01G 1/08; G01G 1/10; G01G 1/12; G01G 1/14; G01G 1/16

(71) Applicants: **Mettler-Toledo (Changzhou) Measurement Technology Co., Ltd.**, Changzhou (CN); **Mettler-Toledo (Changzhou) Precision Instrument Co., Ltd.**, Changzhou (CN); **Mettler-Toledo International Trading (Shanghai) Co., Ltd.**, Shanghai (CN)

See application file for complete search history.

(72) Inventors: **Naiging Cao**, Changzhou (CN); **Feibai Zhu**, Changzhou (CN); **Kai Zhou**, Changzhou (CN); **Edgar Kempf**, Inzigkofen (DE); **Dieter Kontschak**, Winterlingen (DE); **Kostas Medugorac**, Regensburg (DE)

(56) **References Cited**

U.S. PATENT DOCUMENTS

D403,976 S *	1/1999	Suzuki	.....	G01G 21/23 D10/88
D423,964 S *	5/2000	Gander	.....	G01G 21/23 D10/88
D591,623 S *	5/2009	Taylor	.....	G01G 21/23 D10/88
9,752,921 B2 *	9/2017	Kontschak	.....	G01G 21/23
10,962,406 B2 *	3/2021	Smith	.....	G01G 21/22

\* cited by examiner

*Primary Examiner* — Antoine Duval Davis  
(74) *Attorney, Agent, or Firm* — Standley Law Group LLP; Jeffrey S. Standley; Adam J. Smith

(73) Assignees: **Mettler-Toledo (Changzhou) Measurement Technology Co., Ltd.**, Changzhou (CN); **Mettler-Toledo (Changzhou) Precision Instrument Co., Ltd.**, Changzhou (CN); **Mettler-Toledo International Trading (Shanghai) Co., Ltd.**, Shanghai (CN)

(57) **CLAIM**

The ornamental design for a weighing scale with pendant weigh platform, as shown.

(\*\*) Term: **15 Years**

**DESCRIPTION**

(21) Appl. No.: **29/788,428**

(22) Filed: **May 25, 2021**

(30) **Foreign Application Priority Data**

Nov. 30, 2020 (CN) ..... 202030731378.5

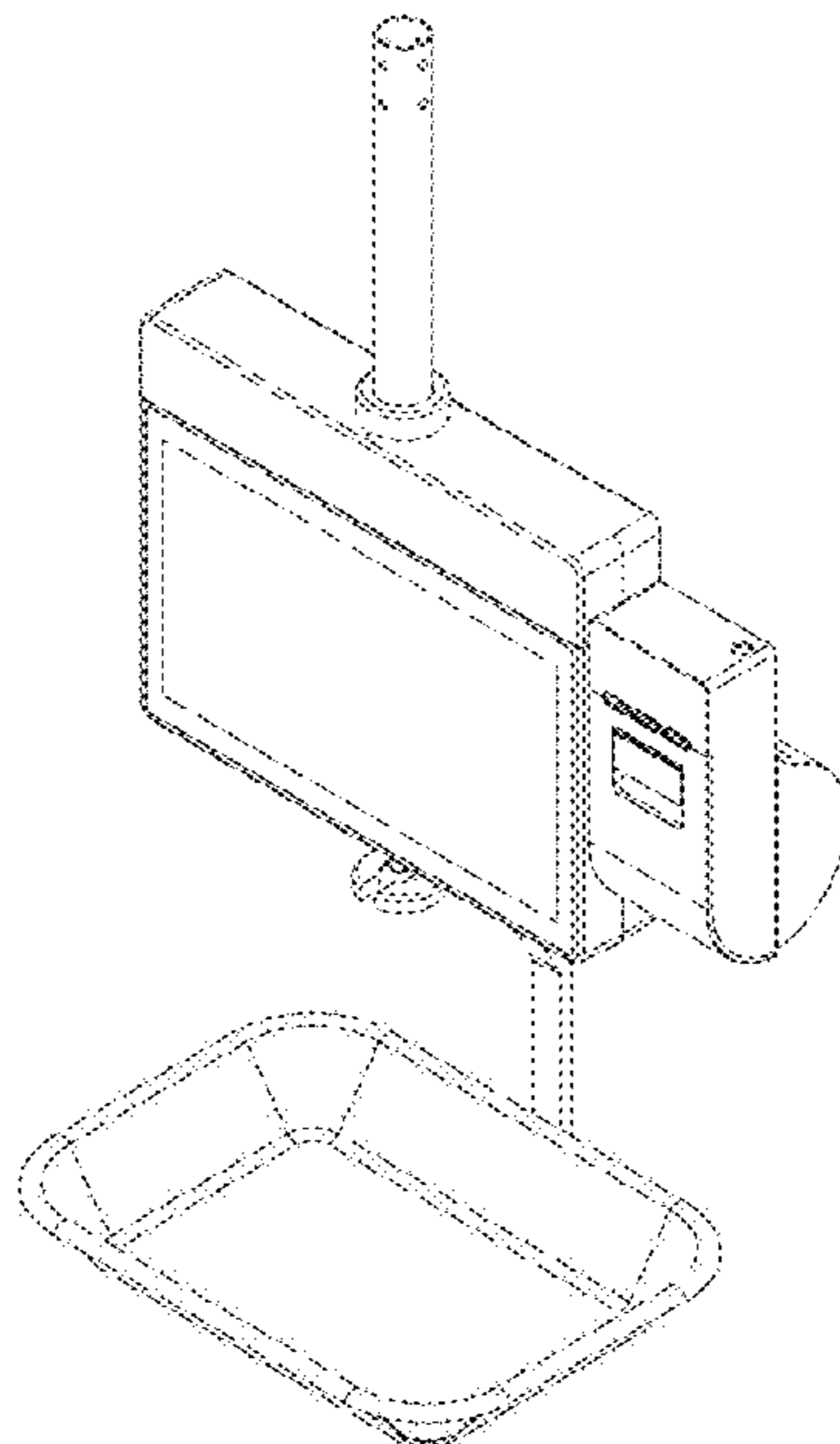
(51) **LOC (14) Cl.** ..... **10-04**

(52) **U.S. Cl.**  
USPC ..... **D10/89**

(58) **Field of Classification Search**  
USPC ..... D10/89, 93–95

FIG. 1 is a left front perspective view of a weighing scale with pendant weigh platform;  
FIG. 2 is a front elevation view thereof;  
FIG. 3 is a rear elevation view thereof;  
FIG. 4 is a right side elevation view thereof;  
FIG. 5 is a left side elevation view thereof;  
FIG. 6 is a top plan view thereof;  
FIG. 7 is a bottom plan view thereof; and,  
FIG. 8 is a further left front perspective view thereof, showing a module thereof detached.

**1 Claim, 7 Drawing Sheets**



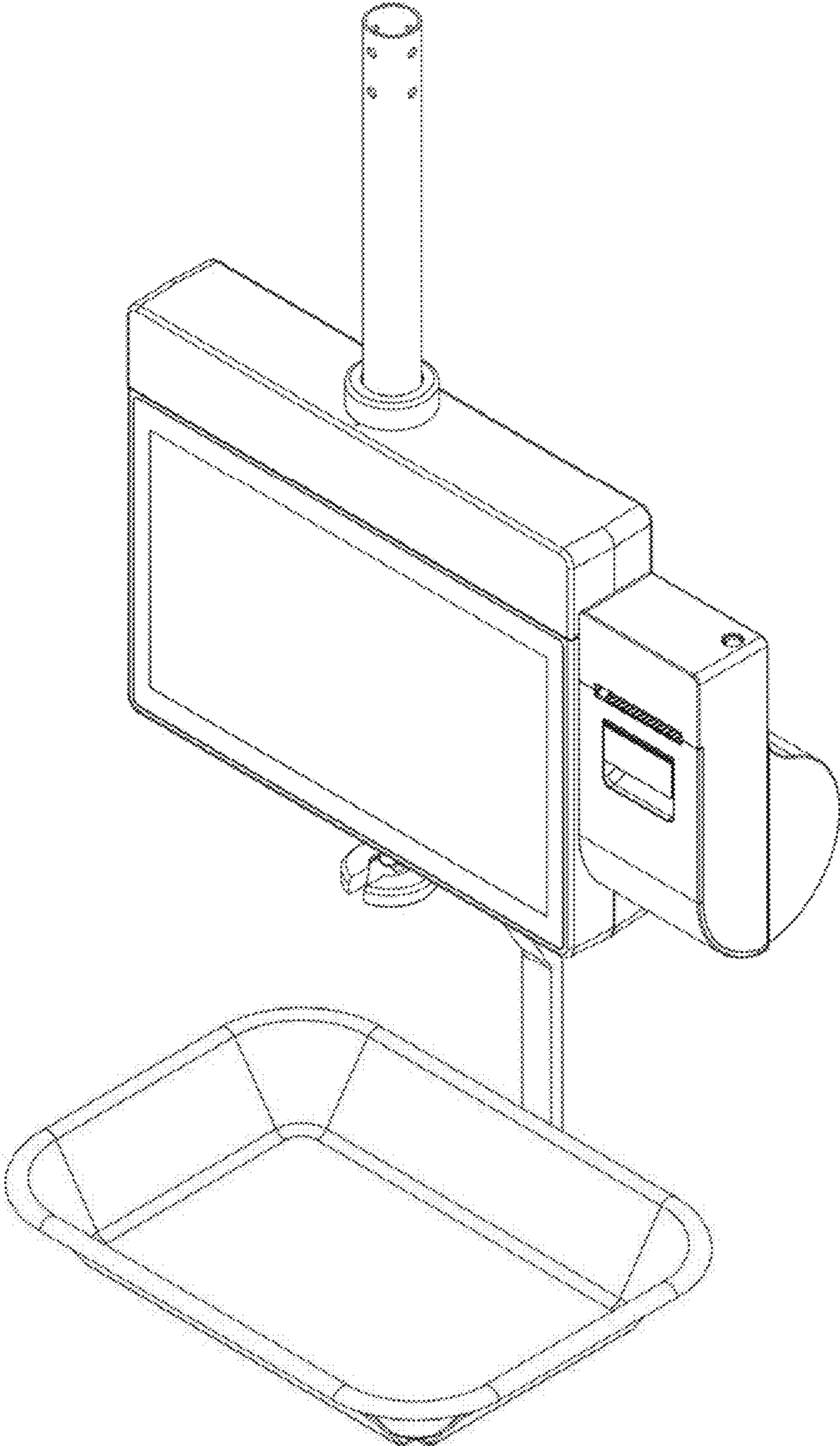


FIG. 1

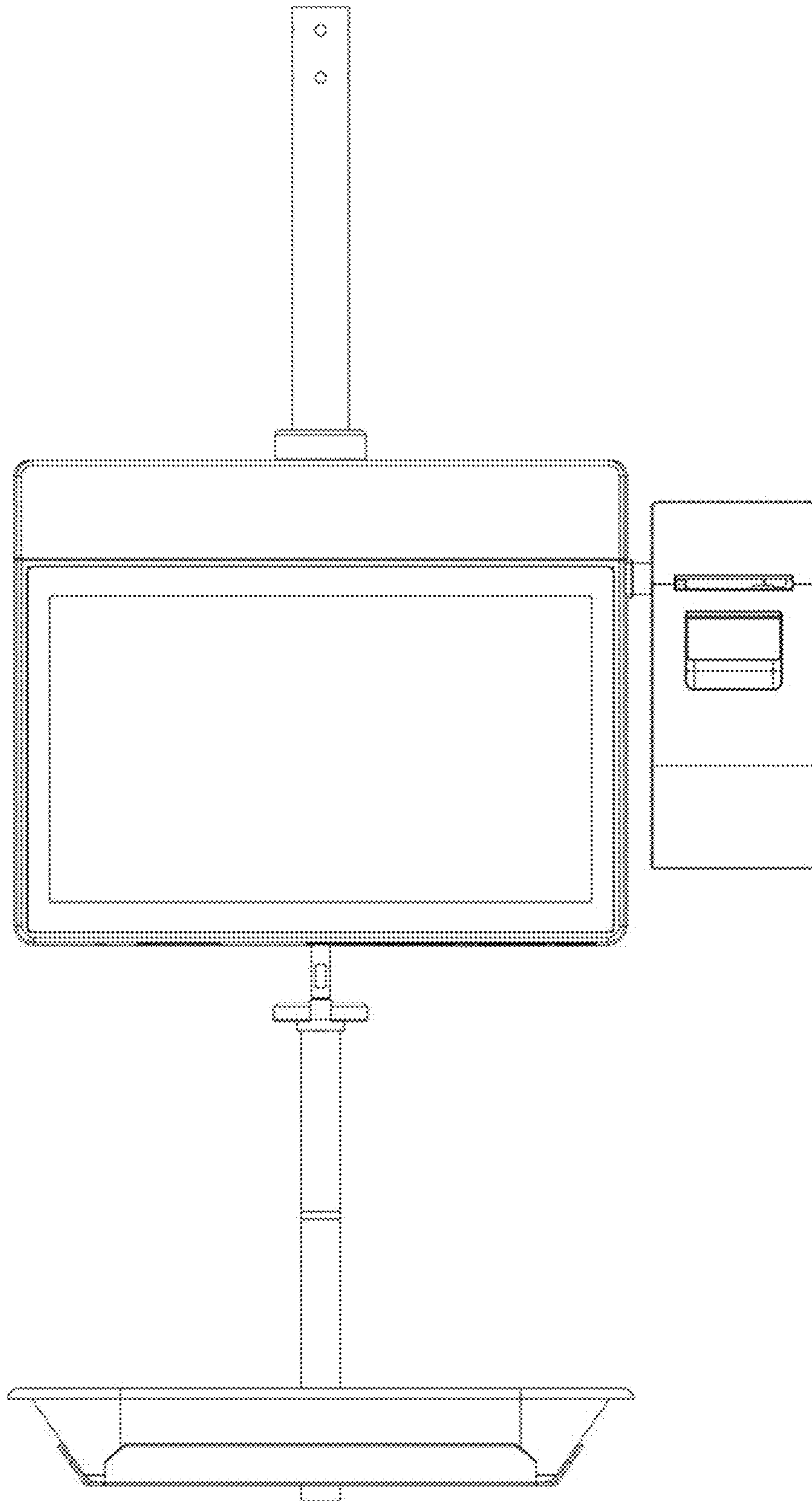


FIG. 2

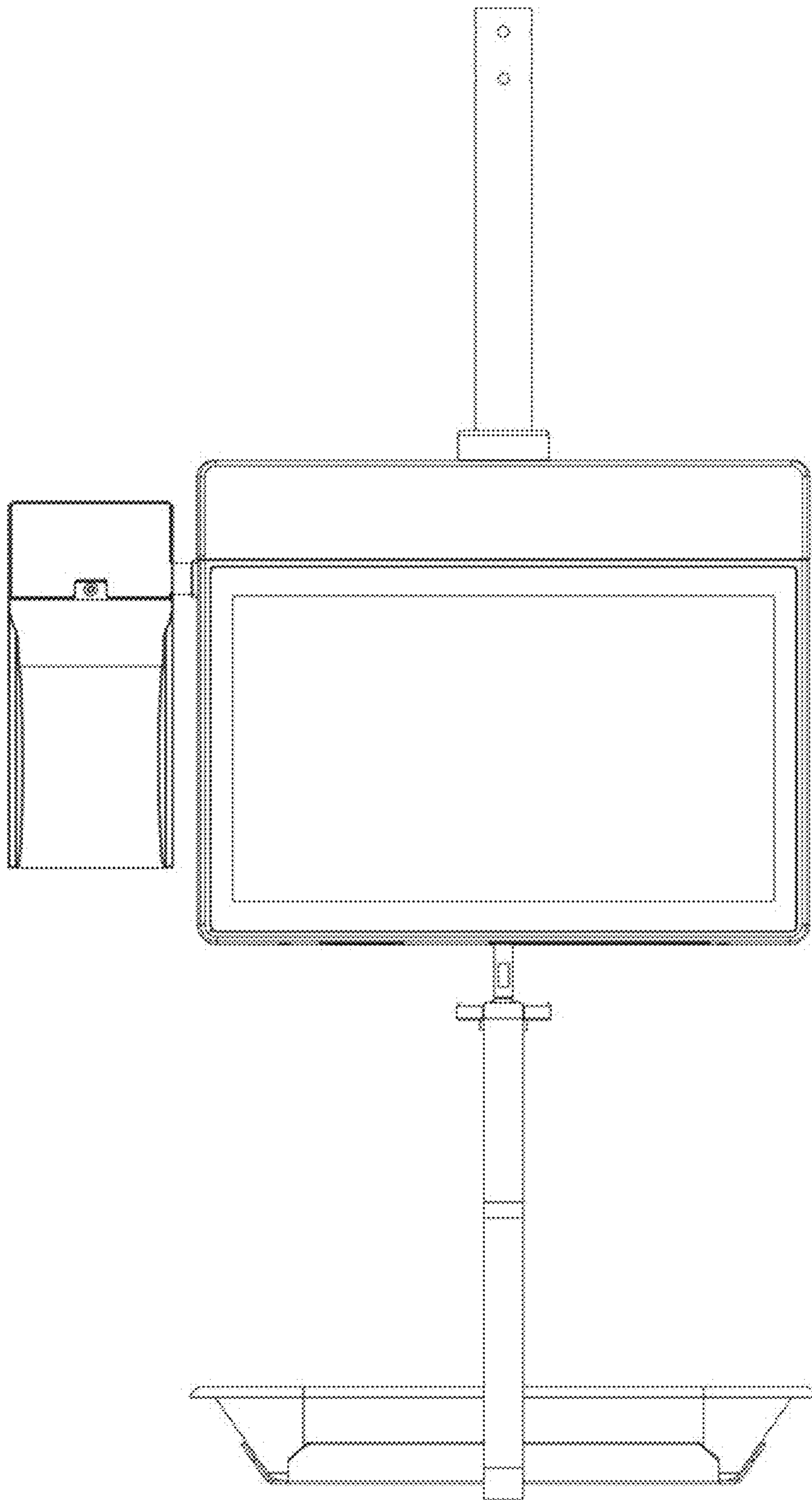


FIG. 3

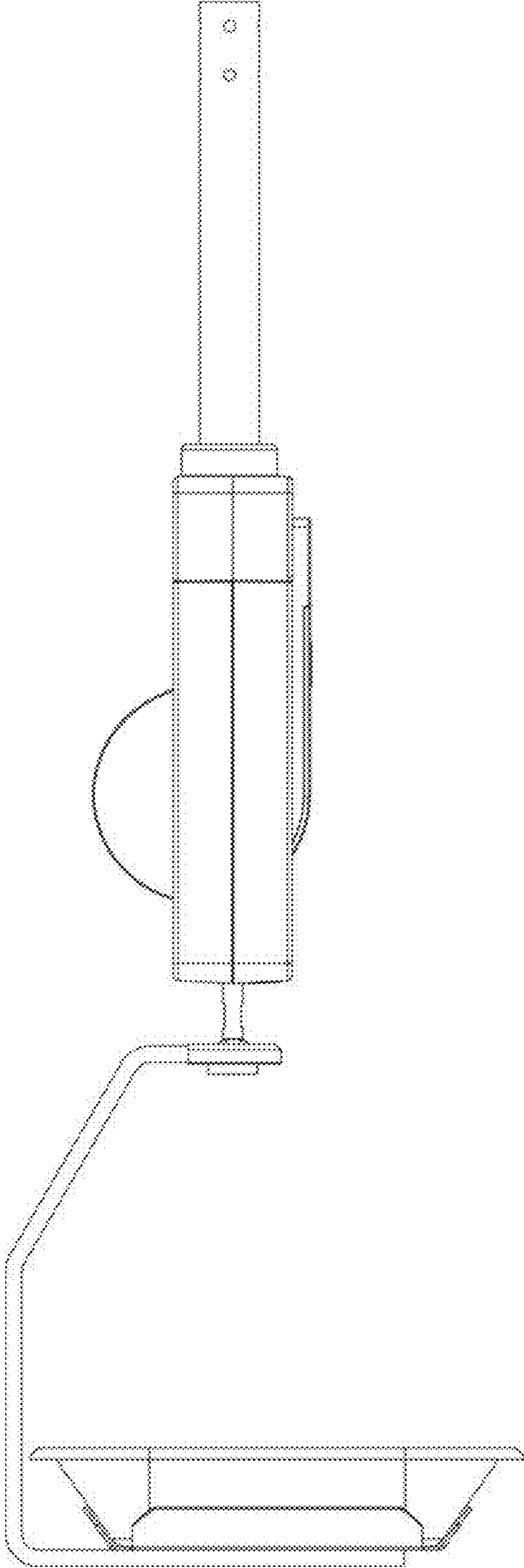


FIG. 4

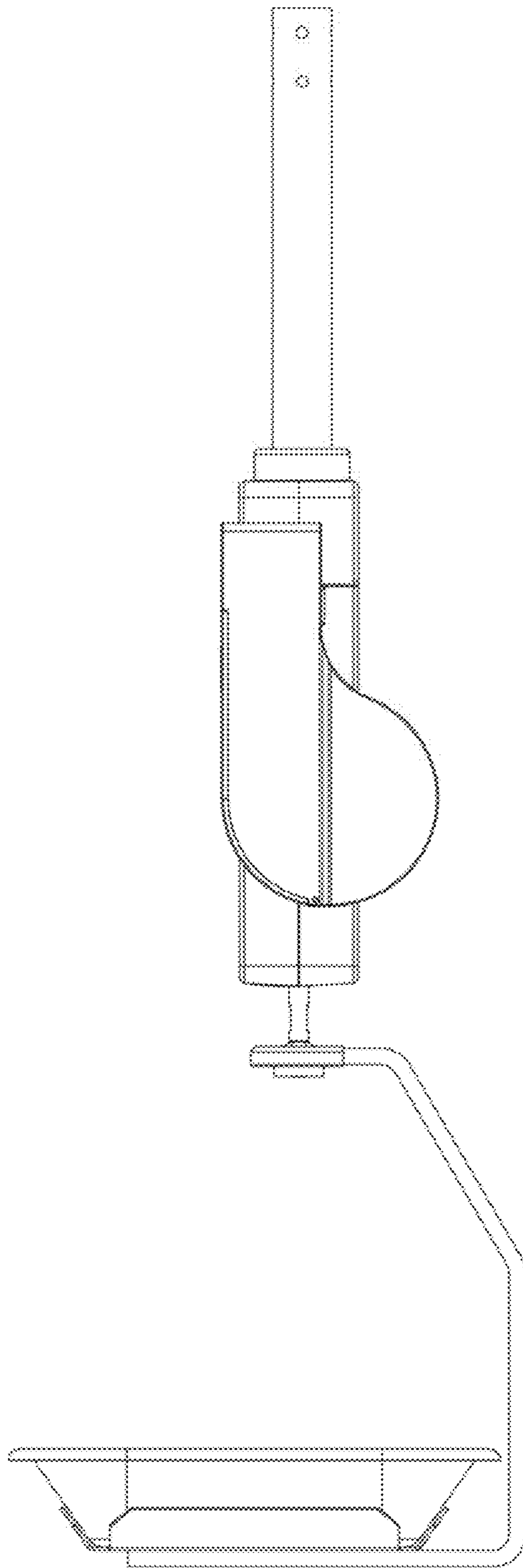


FIG. 5

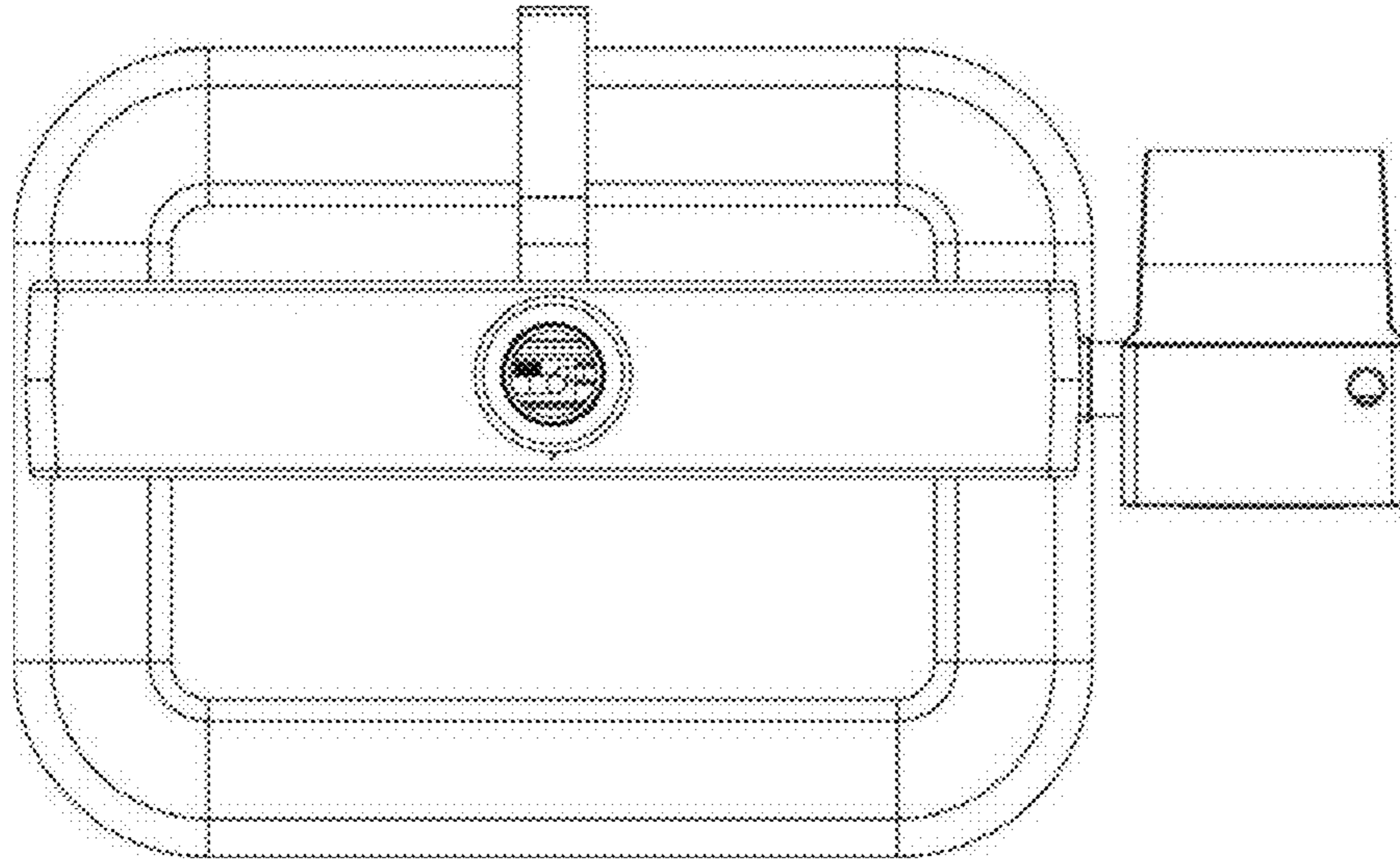


FIG. 6

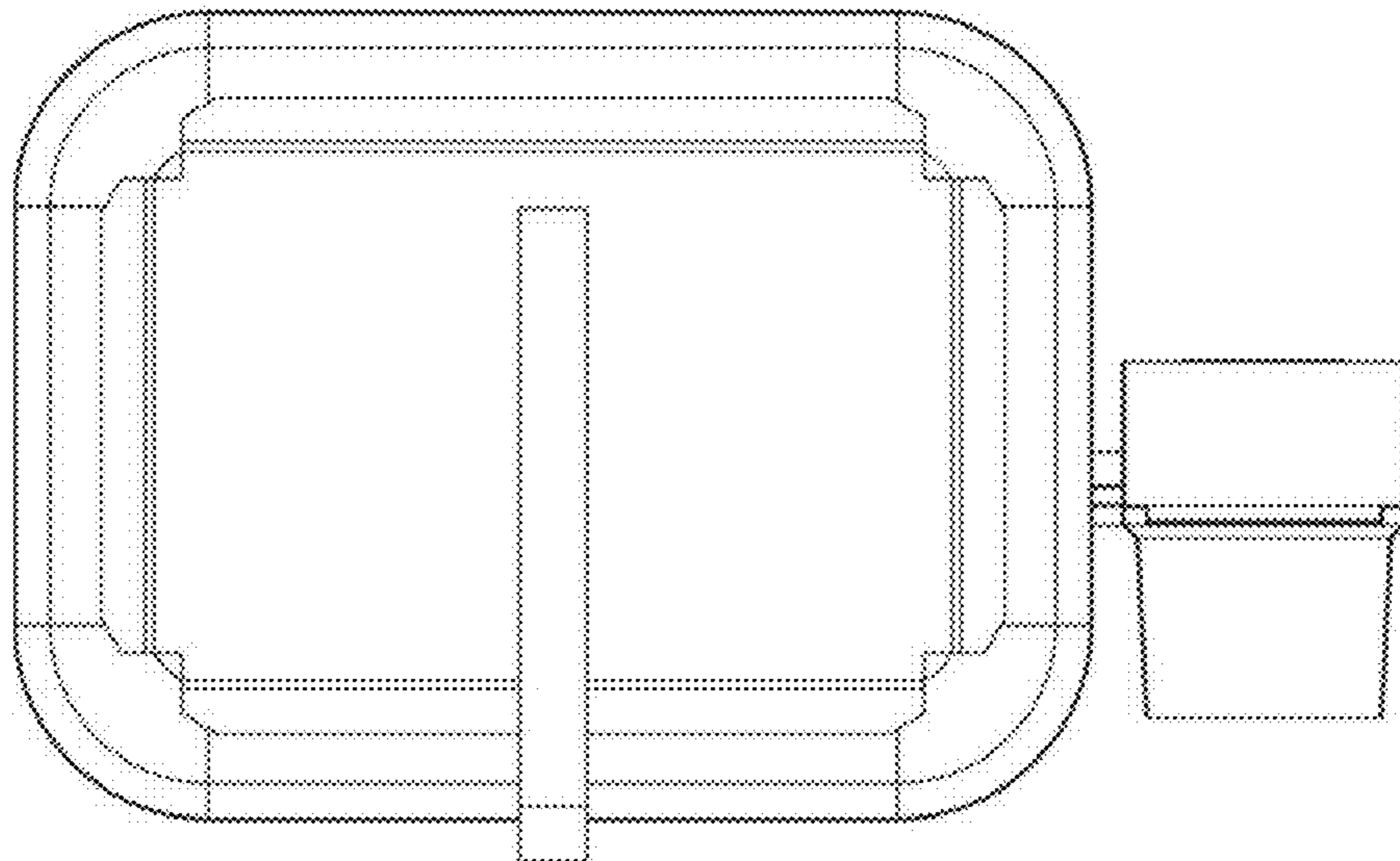


FIG. 7

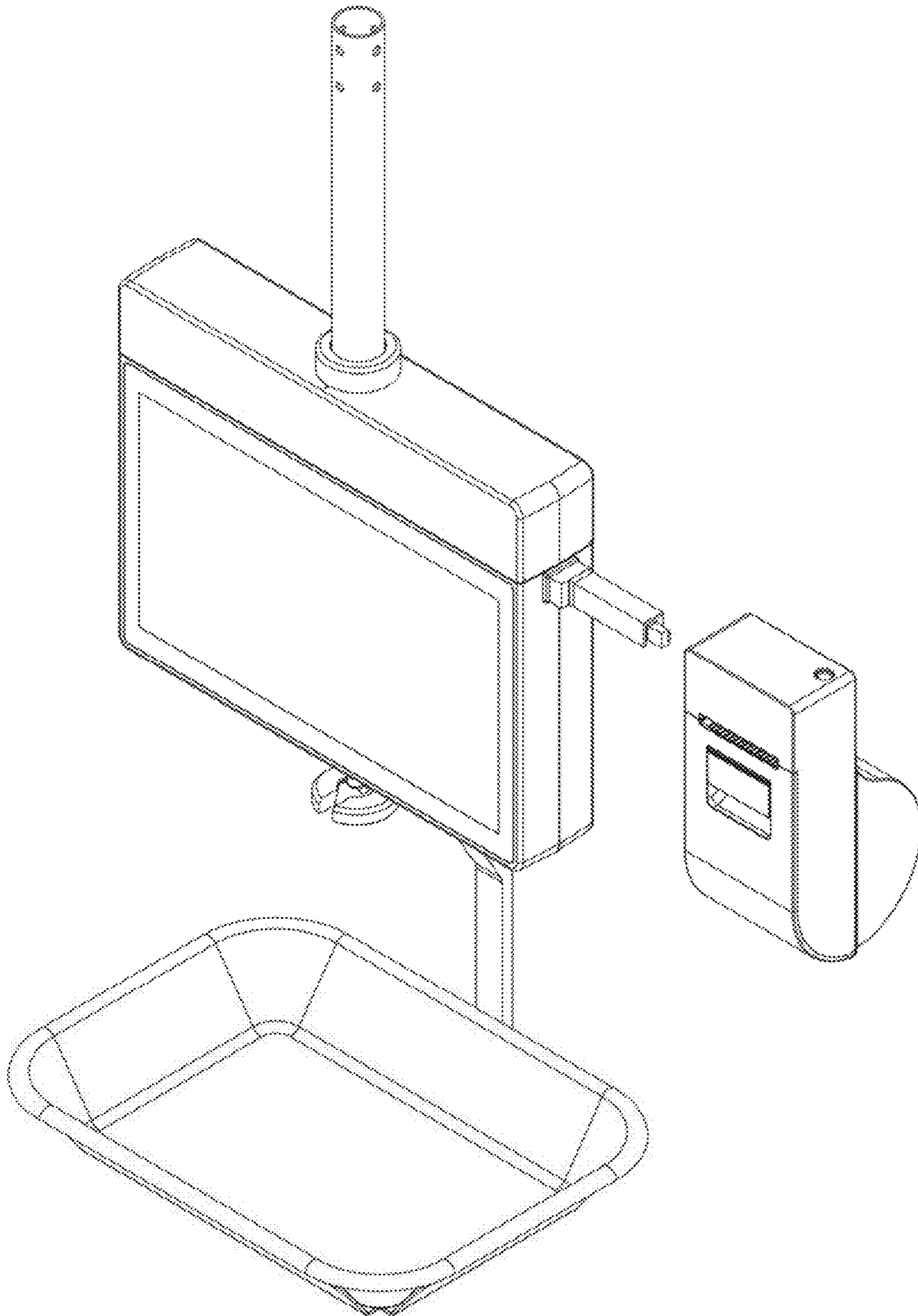


FIG. 8