



US00D984913S

(12) **United States Design Patent**
Friedrich et al.

(10) **Patent No.:** **US D984,913 S**

(45) **Date of Patent:** **** May 2, 2023**

(54) **OPTOELECTRONIC SENSOR**

G06T 2207/10028; G06T 2207/30204;
G02B 26/10; G02B 27/0075; G03B 13/12

(71) Applicant: **SICK AG**, Waldkirch (DE)

See application file for complete search history.

(72) Inventors: **Ralf Friedrich**, Waldkirch (DE);
Ossama Dreibati, Waldkirch (DE)

(56) **References Cited**

(73) Assignee: **SICK AG**, Waldkirch (DE)

U.S. PATENT DOCUMENTS

(**) Term: **15 Years**

D961,419 S * 8/2022 Spremann D10/70
D961,420 S * 8/2022 Spremann D10/70

(21) Appl. No.: **29/785,187**

* cited by examiner

(22) Filed: **May 24, 2021**

Primary Examiner — Antoine Duval Davis
(74) *Attorney, Agent, or Firm* — Nath, Goldberg &
Meyer; Jerald L. Meyer; Morgan D. Rosenberg

(30) **Foreign Application Priority Data**

Nov. 26, 2020 (EM) 008283725

(51) **LOC (14) Cl.** **10-04**

(52) **U.S. Cl.**
USPC **D10/70**

(58) **Field of Classification Search**

USPC D10/70, 104.1

CPC G01D 5/347; G01D 5/26; G01D 11/24;

G01N 21/00; G01N 21/958; G01N

2021/0106; G01N 2021/9586; G01C

17/026; G01S 17/936; G01S 17/42; G01S

17/06; G01S 17/87; G01S 7/4817; G01S

7/42; G01S 7/87; G01S 7/487; G01S

7/497; G01S 7/95; G01S 7/4812; G01S

7/484; G06K 9/2027; G06T 7/0028;

(57) **CLAIM**

The ornamental design for an optoelectronic sensor, as shown and described.

DESCRIPTION

FIG. 1 is a left side view of an optoelectronic sensor showing our new design;

FIG. 2 is a rear view thereof;

FIG. 3 is a top view thereof;

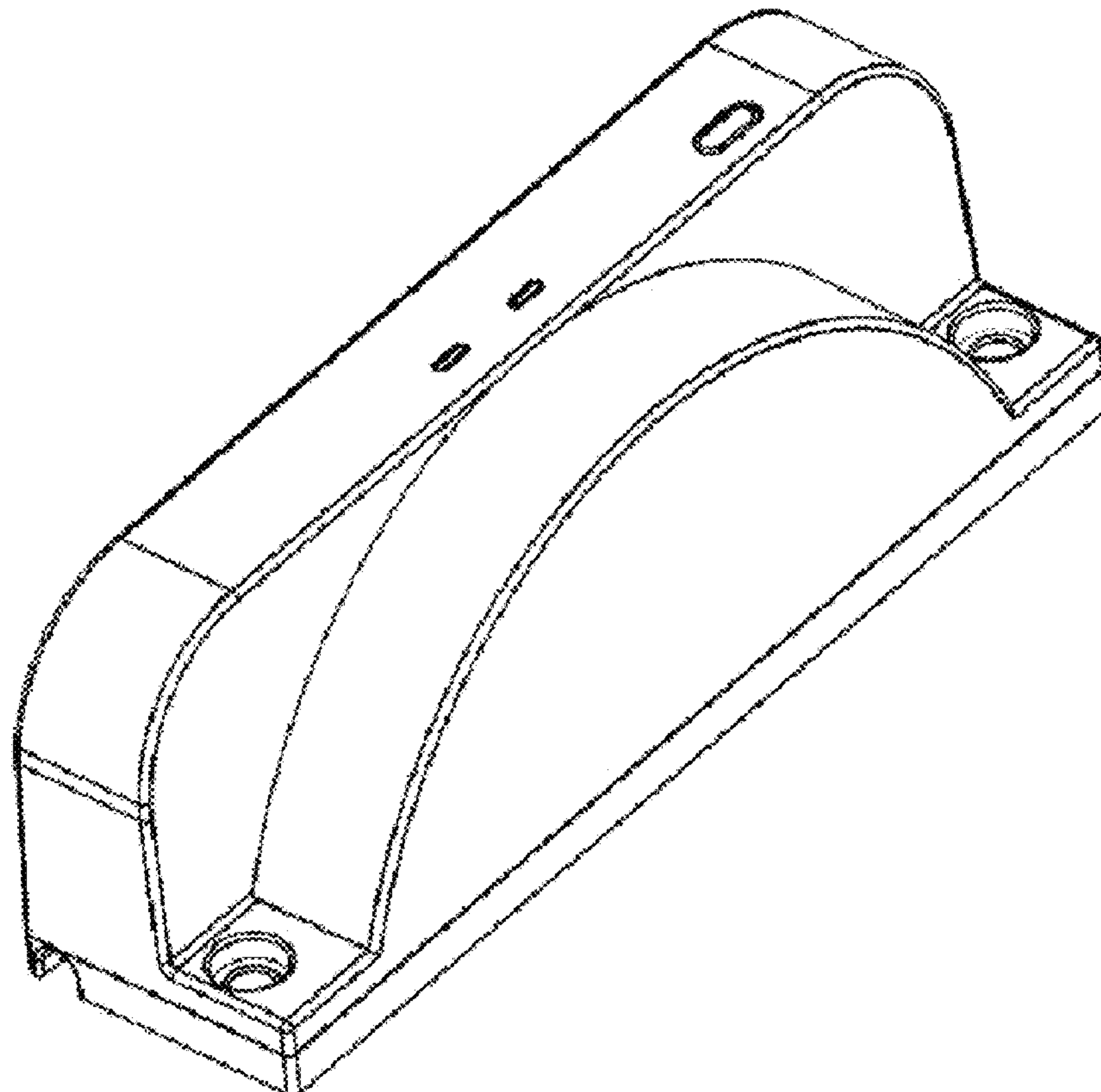
FIG. 4 is a perspective view thereof;

FIG. 5 is a front view thereof;

FIG. 6 is a bottom view thereof; and,

FIG. 7 is a right side view thereof.

1 Claim, 7 Drawing Sheets



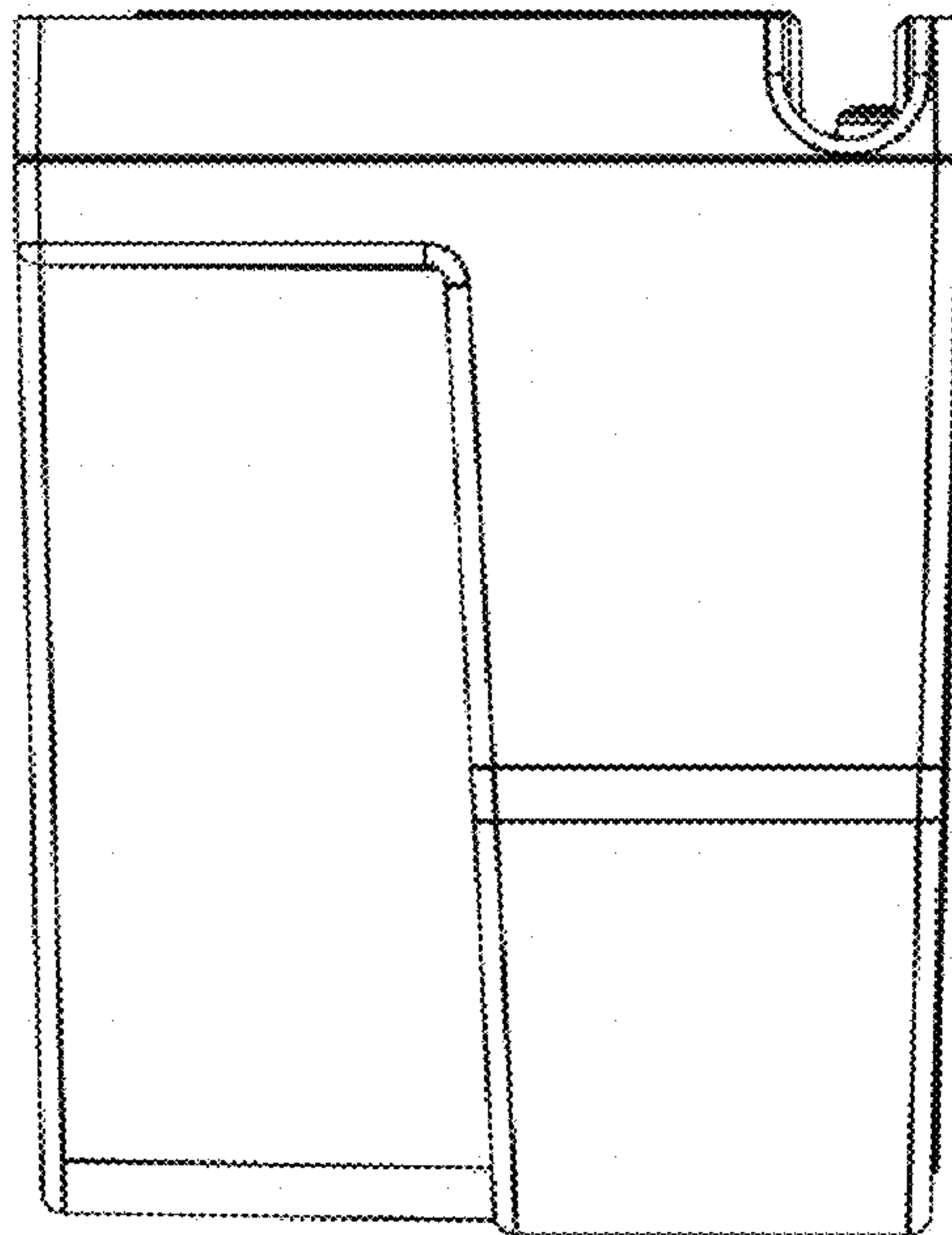


FIG. 1

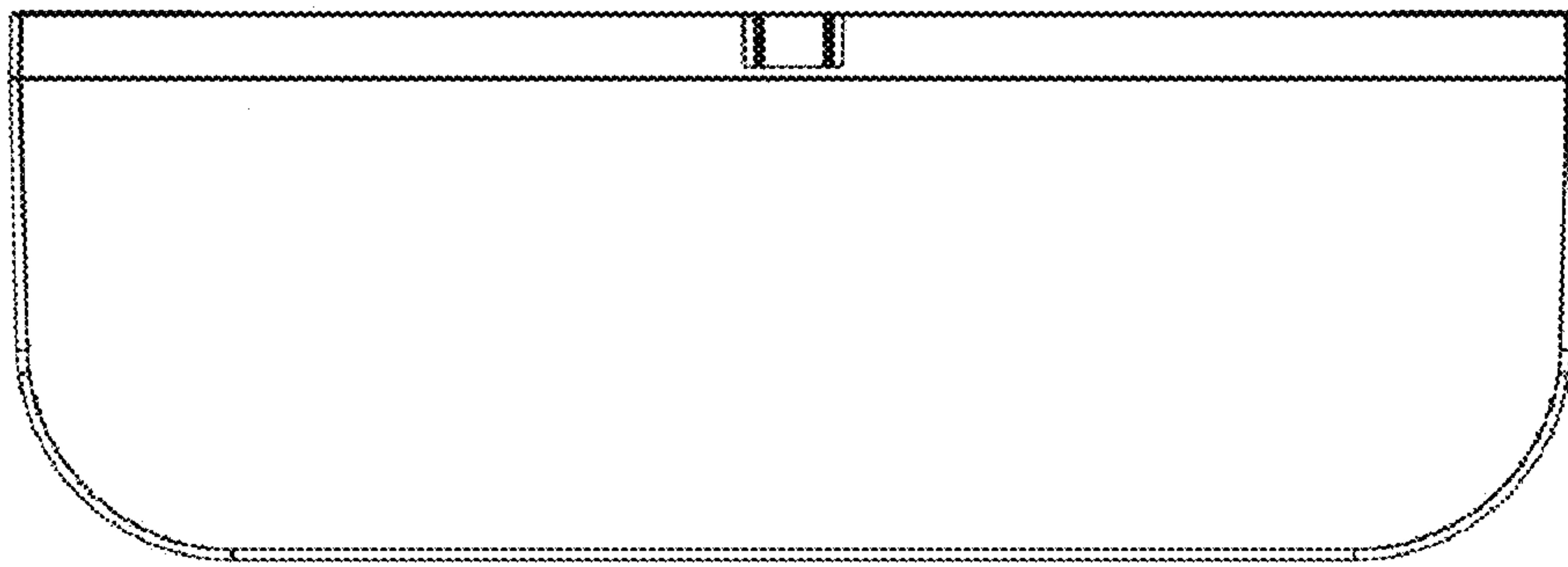


FIG. 2

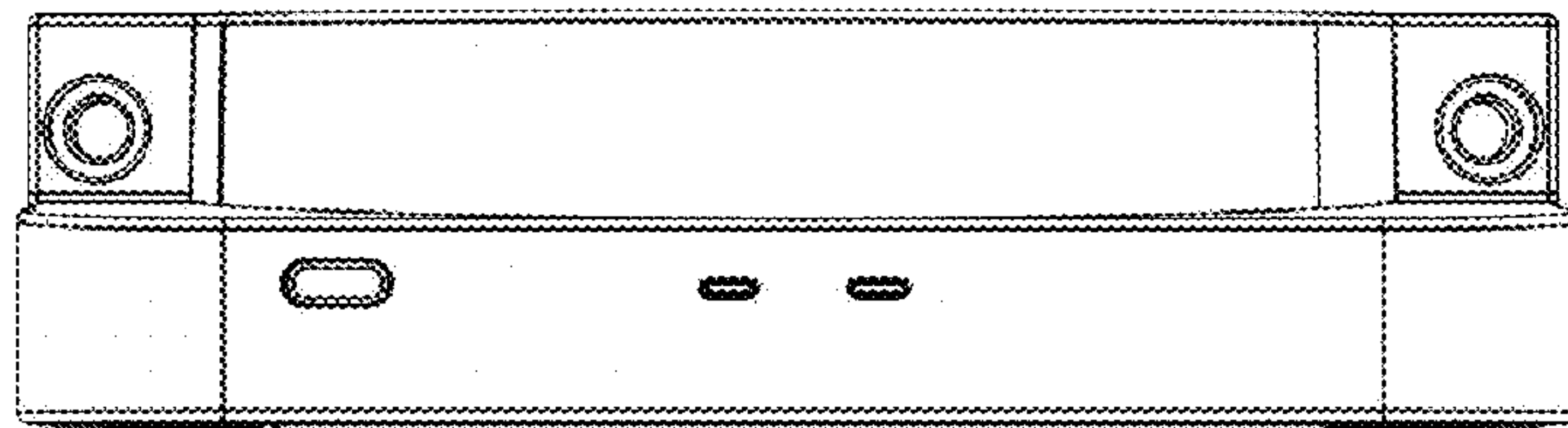


FIG. 3

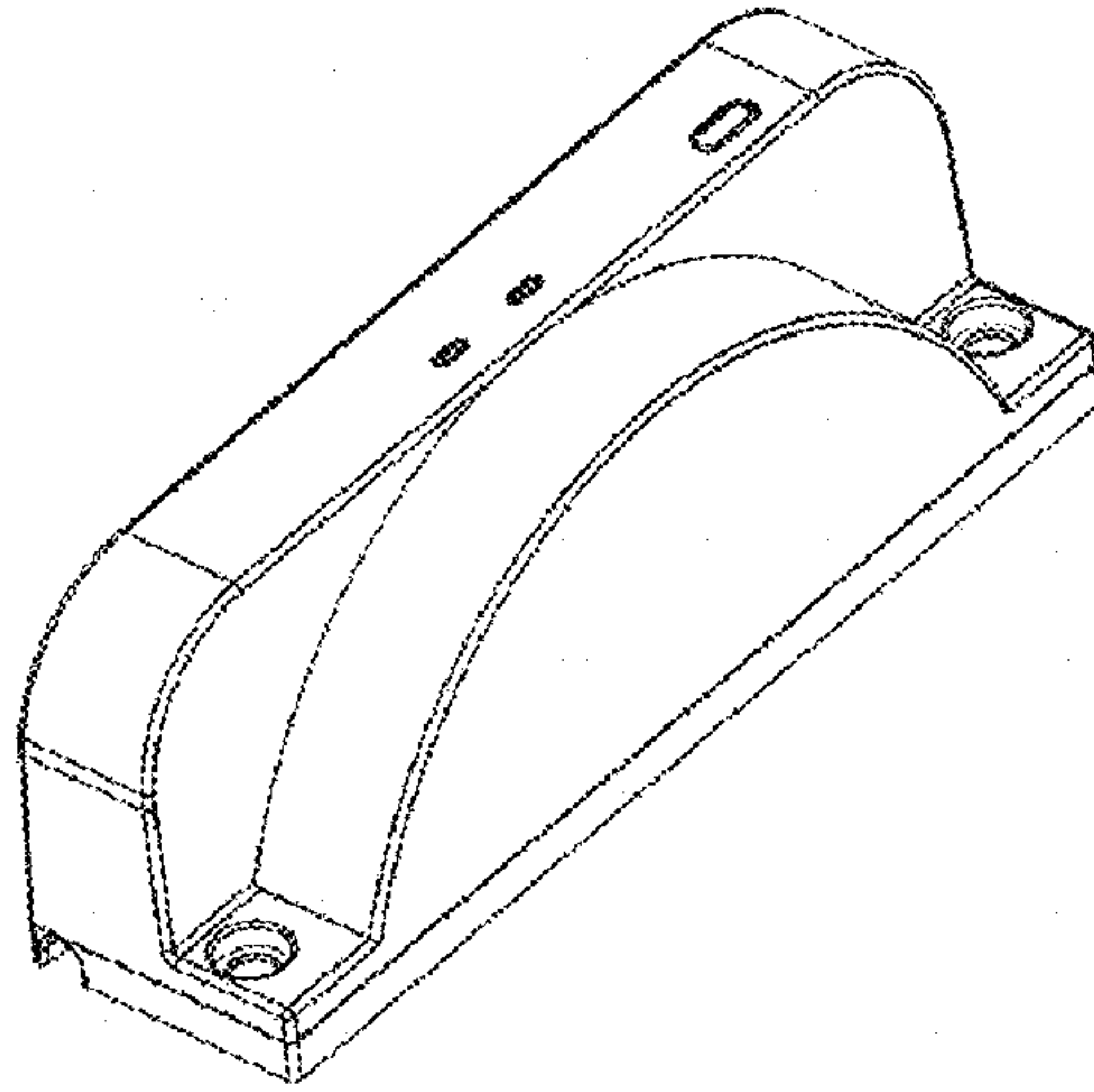


FIG. 4

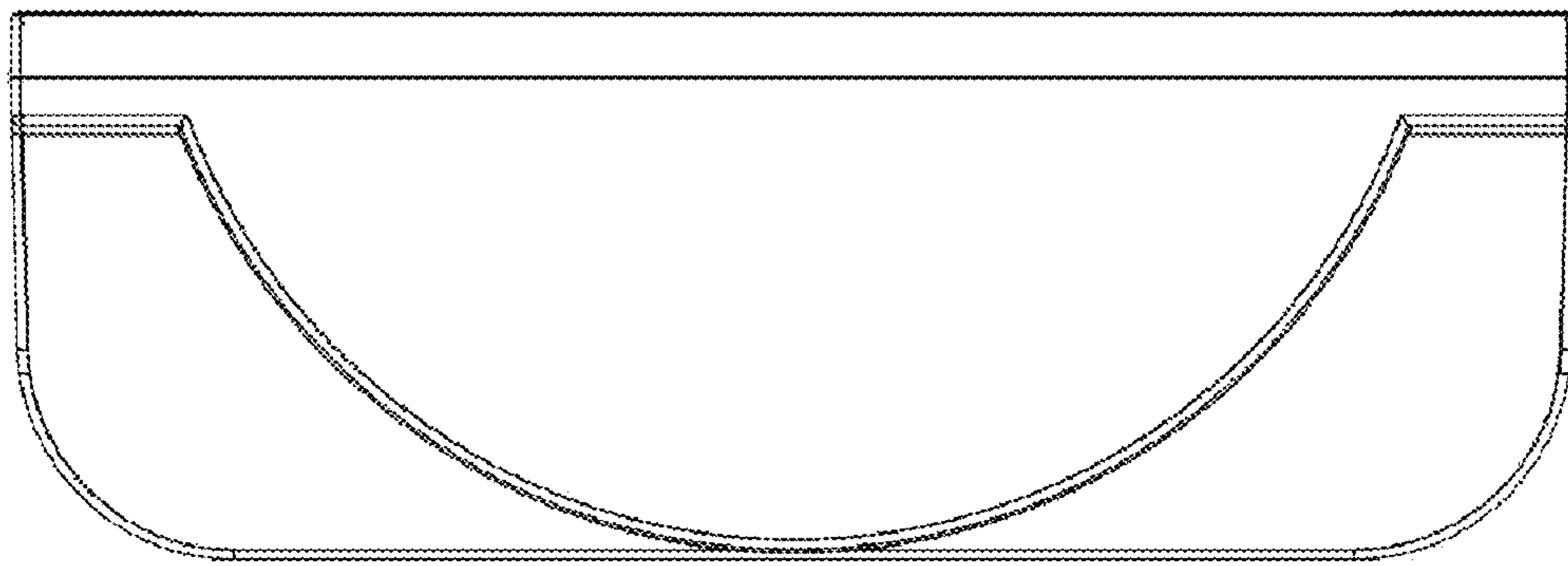


FIG. 5

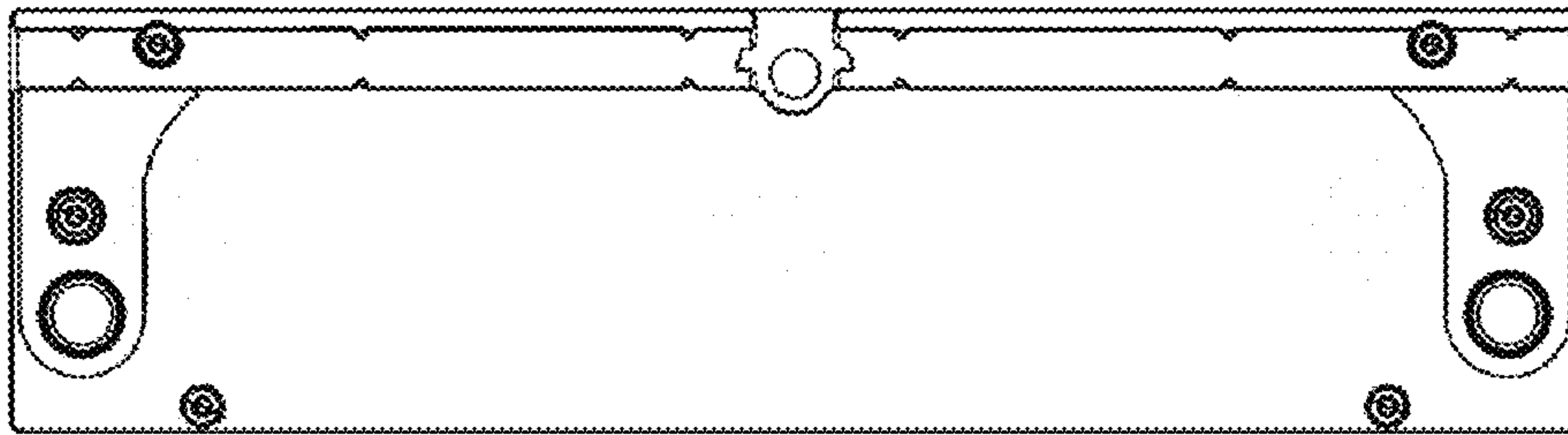


FIG. 6

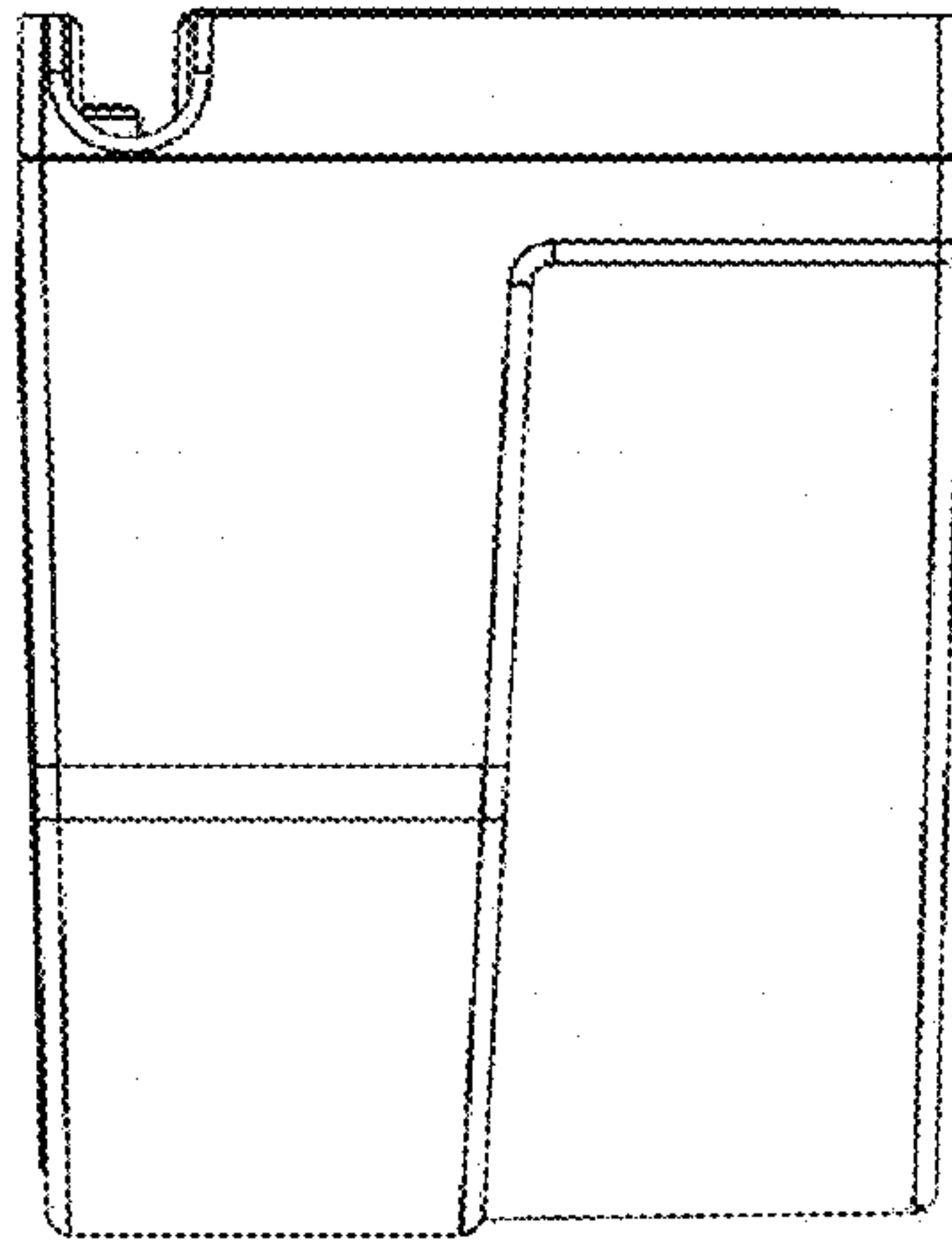


FIG. 7