



US00D984912S

(12) **United States Design Patent**
Huggart

(10) **Patent No.:** **US D984,912 S**

(45) **Date of Patent:** **** May 2, 2023**

(54) **CORN RULER**

(71) Applicant: **Thomas Huggart**, Treherne (CA)

(72) Inventor: **Thomas Huggart**, Treherne (CA)

(**) Term: **15 Years**

(21) Appl. No.: **29/767,204**

(22) Filed: **Jan. 21, 2021**

(51) **LOC (14) Cl.** **10-04**

(52) **U.S. Cl.**
USPC **D10/71**

(58) **Field of Classification Search**
USPC D10/62, 64, 71, 74
CPC G01B 3/04; G01B 3/02; G01B 3/1003;
G01B 1/00; G01B 3/1041; G01B 11/02;
G01B 3/1084; G01B 3/1089; G01B
3/1092; G01B 3/1004; G01B 2003/1097;
G01B 3/10; G01B 5/02; G01B 21/02;
G01B 5/06

See application file for complete search history.

(56) **References Cited**

U.S. PATENT DOCUMENTS

325,134 A	8/1885	Wainwright	
679,599 A *	7/1901	Campbell G03G 7/0006 D10/71
1,607,097 A *	11/1926	Murphy B43K 29/08 D10/71
2,252,311 A *	8/1941	Ware G01B 3/04 33/492
3,242,576 A	3/1966	Wheeler	
3,455,028 A *	7/1969	Murata B43L 7/00 D10/71
3,492,729 A	2/1970	Crain	

D272,421 S *	1/1984	Sandel D10/71
5,042,168 A	8/1991	Kyle	
5,450,678 A	9/1995	Check	
5,479,719 A *	1/1996	Liu B43L 7/04 33/464
6,247,240 B1 *	6/2001	Economaki G01B 3/006 33/484
7,543,295 B2	6/2009	Silberman	
8,370,075 B2	2/2013	Goldman	
D682,127 S *	5/2013	Wood D10/71
2010/0083515 A1 *	4/2010	Wood B43L 7/00 33/483

* cited by examiner

Primary Examiner — George D. Kirschbaum
Assistant Examiner — Lillian Windham

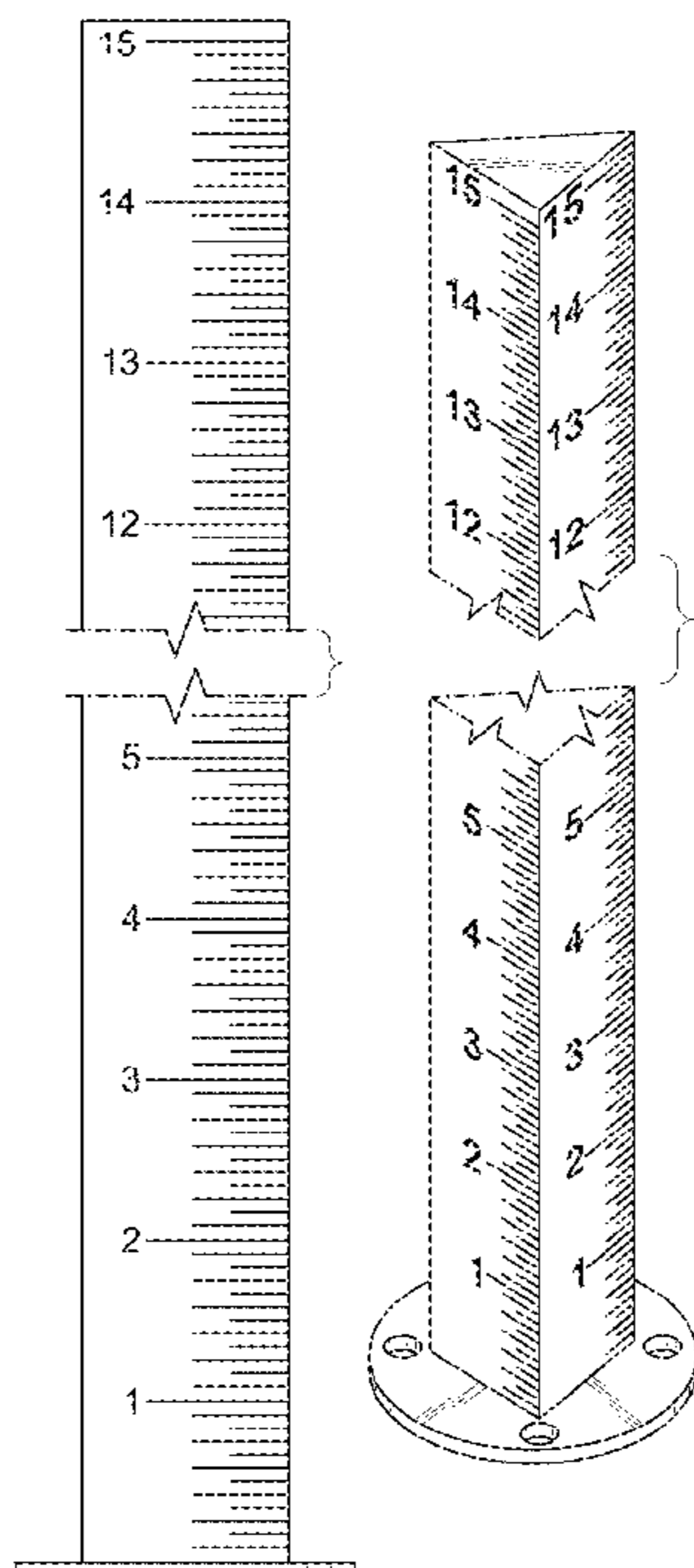
(57) **CLAIM**

The ornamental design for a corn ruler, as shown and described.

DESCRIPTION

FIG. 1 is a front view of a corn ruler showing my new design;
FIG. 2 is a rear view of the corn ruler;
FIG. 3 is a right side view of the corn ruler;
FIG. 4 is a left side view of the corn ruler;
FIG. 5 is a top view of the corn ruler;
FIG. 6 is a bottom view of the corn ruler; and,
FIG. 7 is a top front side perspective view of the corn ruler.
The cutaway symbols illustrated in broken lines in the drawings indicate a symbolic break in the length of the design for the corn ruler. The appearance of any portion of the article between the break lines forms no part of the claimed design.

1 Claim, 6 Drawing Sheets



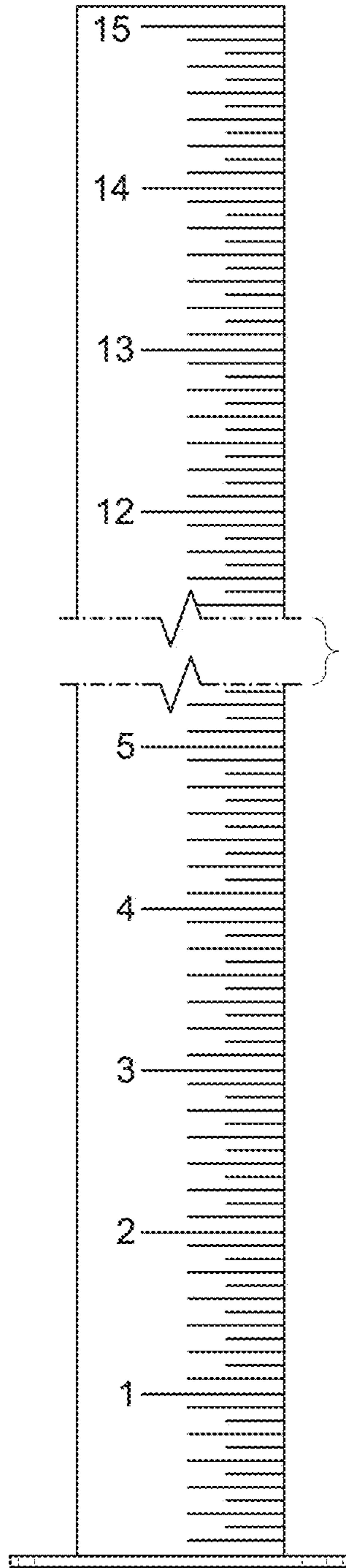


FIG. 1

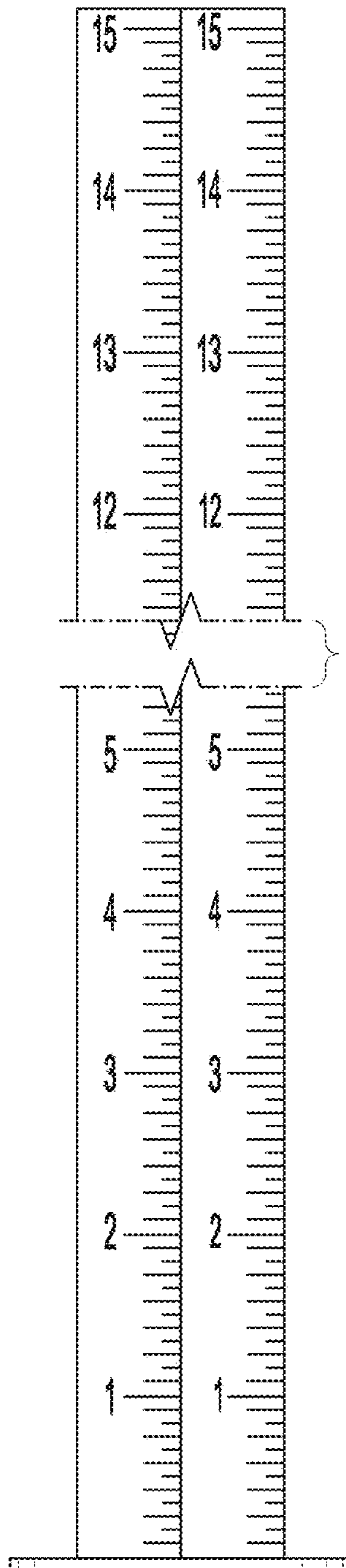


FIG. 2

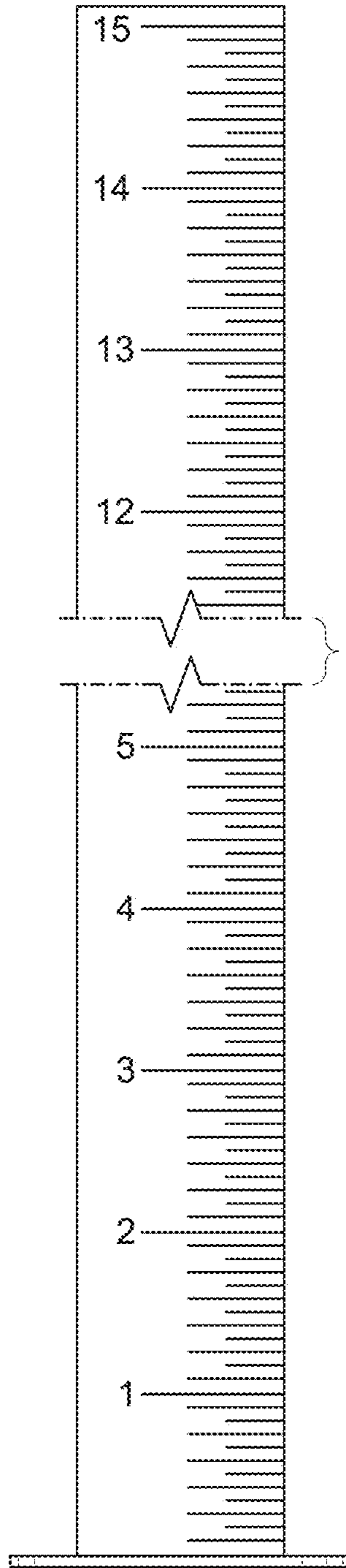


FIG. 3

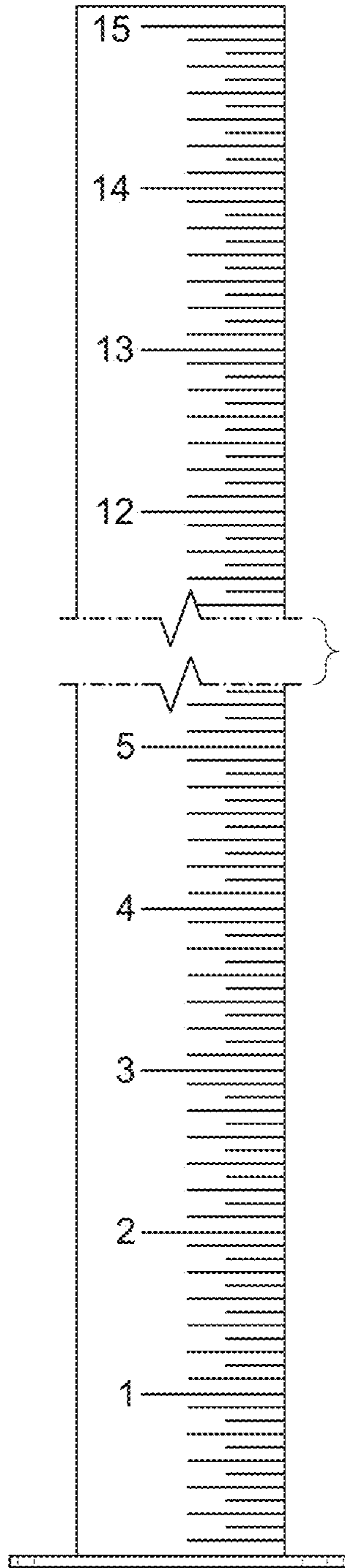


FIG. 4

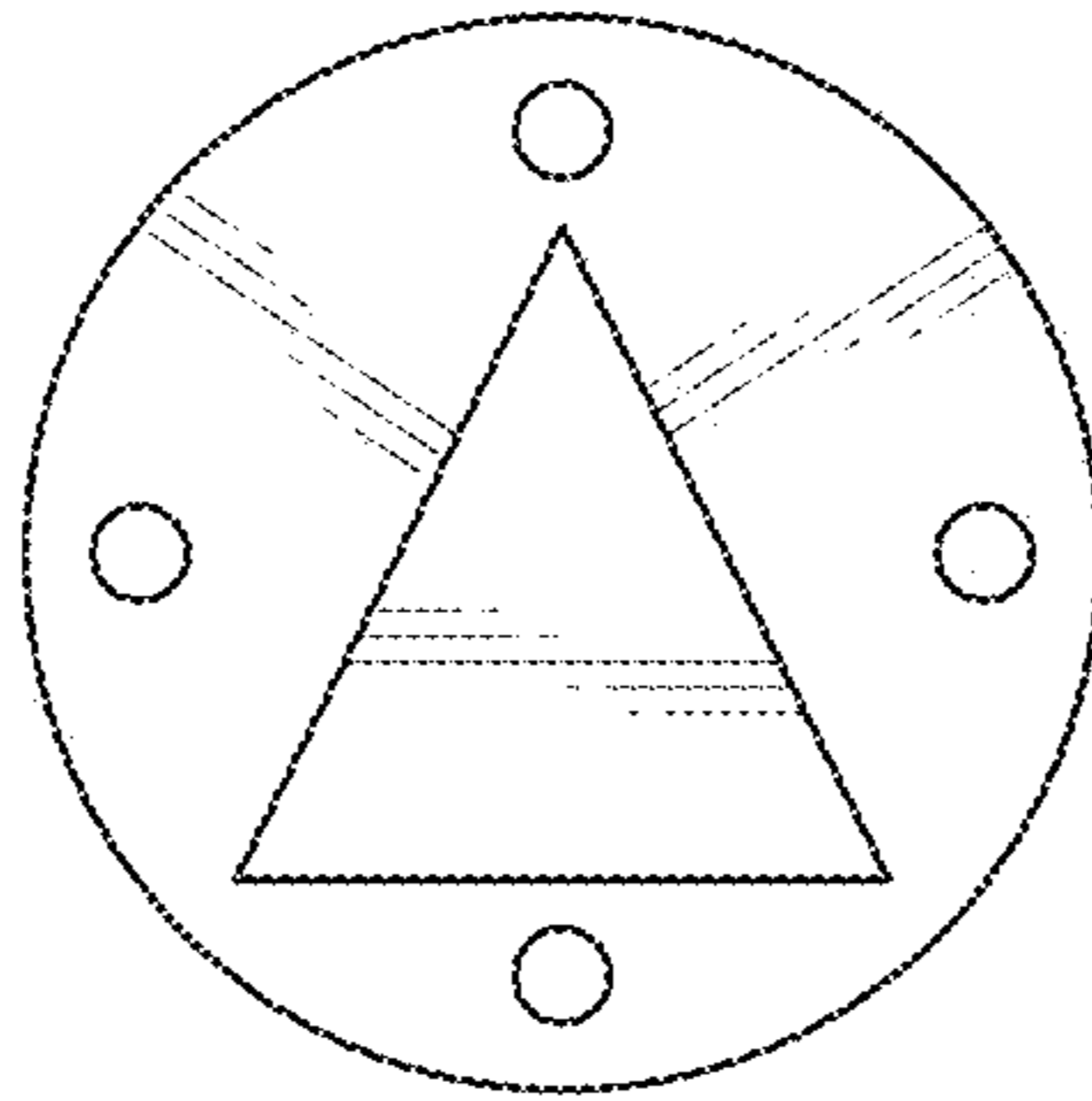


FIG. 5

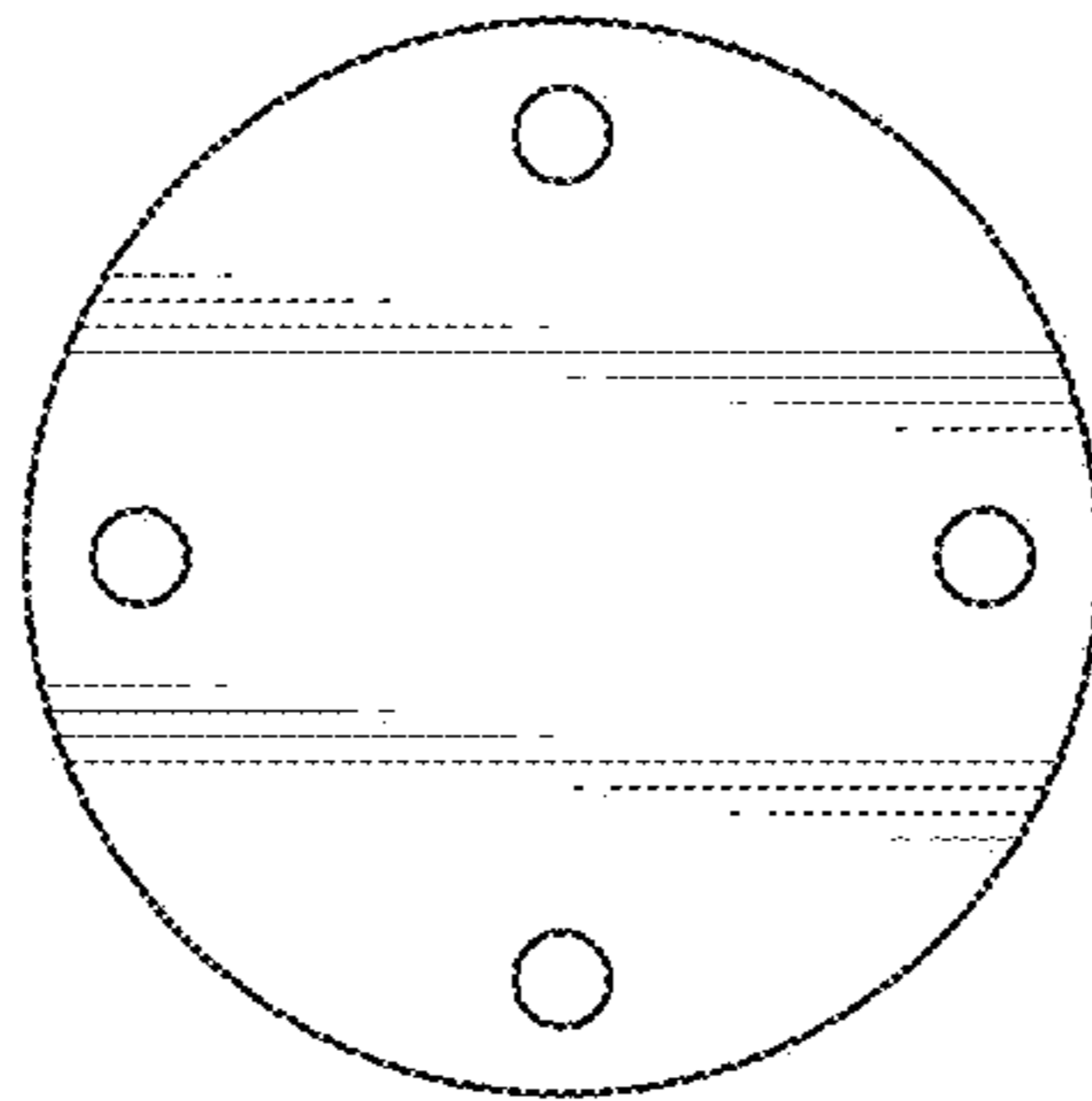


FIG. 6

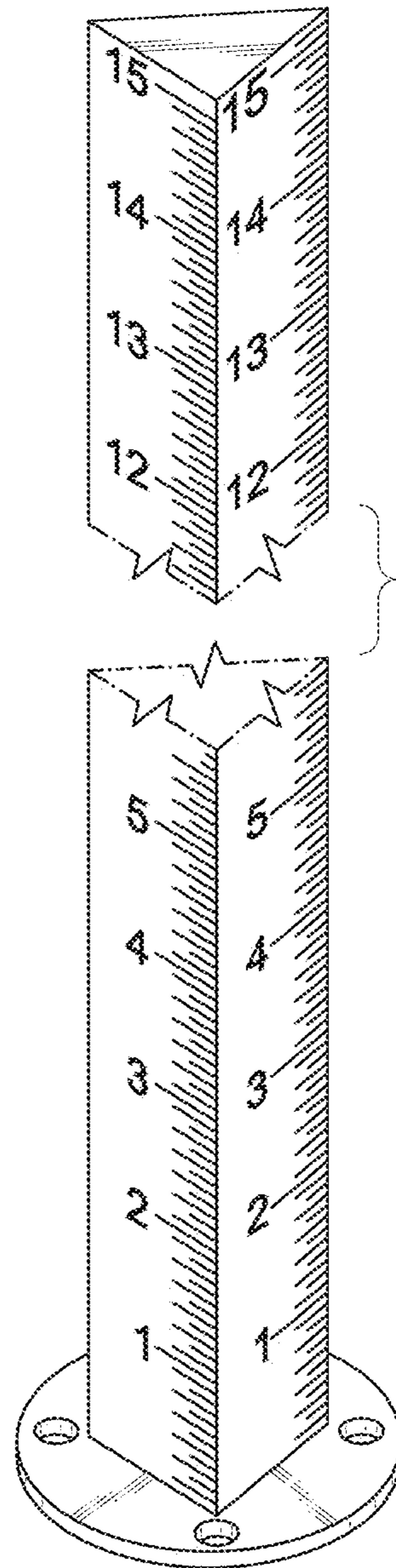


FIG. 7