



US00D984910S

(12) **United States Design Patent**
Wang et al.

(10) **Patent No.:** **US D984,910 S**
(45) **Date of Patent:** **** May 2, 2023**

(54) **CALIBRATION APPARATUS**

(71) Applicant: **Autel Intelligent Technology Corp., Ltd.**, Shenzhen (CN)

(72) Inventors: **Yongshuai Wang**, Shenzhen (CN);
Yuelong Liao, Shenzhen (CN)

(73) Assignee: **AUTEL INTELLIGENT TECHNOLOGY CORP., LTD.**, Shenzhen (CN)

(**) Term: **15 Years**

(21) Appl. No.: **29/804,517**

(22) Filed: **Aug. 20, 2021**

(30) **Foreign Application Priority Data**

Feb. 24, 2021 (CN) 202130105217.X

(51) **LOC (14) Cl.** **10-04**

(52) **U.S. Cl.**
USPC **D10/65**

(58) **Field of Classification Search**
USPC D10/65, 67

(Continued)

(56) **References Cited**

U.S. PATENT DOCUMENTS

D411,473 S * 6/1999 Hampf D10/65
10,324,021 B2 * 6/2019 Ger G02B 21/36

(Continued)

Primary Examiner — Antoine Duval Davis

(74) *Attorney, Agent, or Firm* — IPro, PLLC

(57) **CLAIM**

The ornamental design for a calibration apparatus, as shown and described.

DESCRIPTION

FIG. 1 is a perspective view of a calibration apparatus showing our new design;

FIG. 2 is a perspective view viewed from another angle thereof;

FIG. 3 is a front elevational view thereof;

FIG. 4 is a rear elevational view thereof;

FIG. 5 is a left side view thereof;

FIG. 6 is a right side view thereof;

FIG. 7 is a top plan view thereof;

FIG. 8 is a bottom plan view thereof;

FIG. 9 is a partially enlarged view thereof, taken along line 9 of FIG. 1;

FIG. 10 is a partially enlarged view thereof, taken along line 10 of FIG. 1;

FIG. 11 is a partially enlarged view thereof, taken along line 11 of FIG. 1;

FIG. 12 is a partially enlarged view thereof, taken along line 12 of FIG. 2;

FIG. 13 is a partially enlarged view thereof, taken along line 13 of FIG. 2;

FIG. 14 is a partially enlarged view thereof, taken along line 14 of FIG. 2;

FIG. 15 is a partially enlarged view thereof, taken along line 15 of FIG. 3;

FIG. 16 is a partially enlarged view thereof, taken along line 16 of FIG. 3;

FIG. 17 is a partially enlarged view thereof, taken along line 17 of FIG. 3;

FIG. 18 is a partially enlarged view thereof, taken along line 18 of FIG. 4;

FIG. 19 is a partially enlarged view thereof, taken along line 19 of FIG. 4;

FIG. 20 is a partially enlarged view thereof, taken along line 20 of FIG. 4;

FIG. 21 is a partially enlarged view thereof, taken along line 21 of FIG. 5;

FIG. 22 is a partially enlarged view thereof, taken along line 22 of FIG. 6;

FIG. 23 is a partially enlarged view thereof, taken along line 23 of FIG. 7;

FIG. 24 is a partially enlarged view thereof, taken along line 24 of FIG. 8;

FIG. 25 is a partially enlarged view thereof, taken along line 25 of FIG. 1;

FIG. 26 is a partially enlarged view thereof, taken along line 26 of FIG. 2; and,

(Continued)

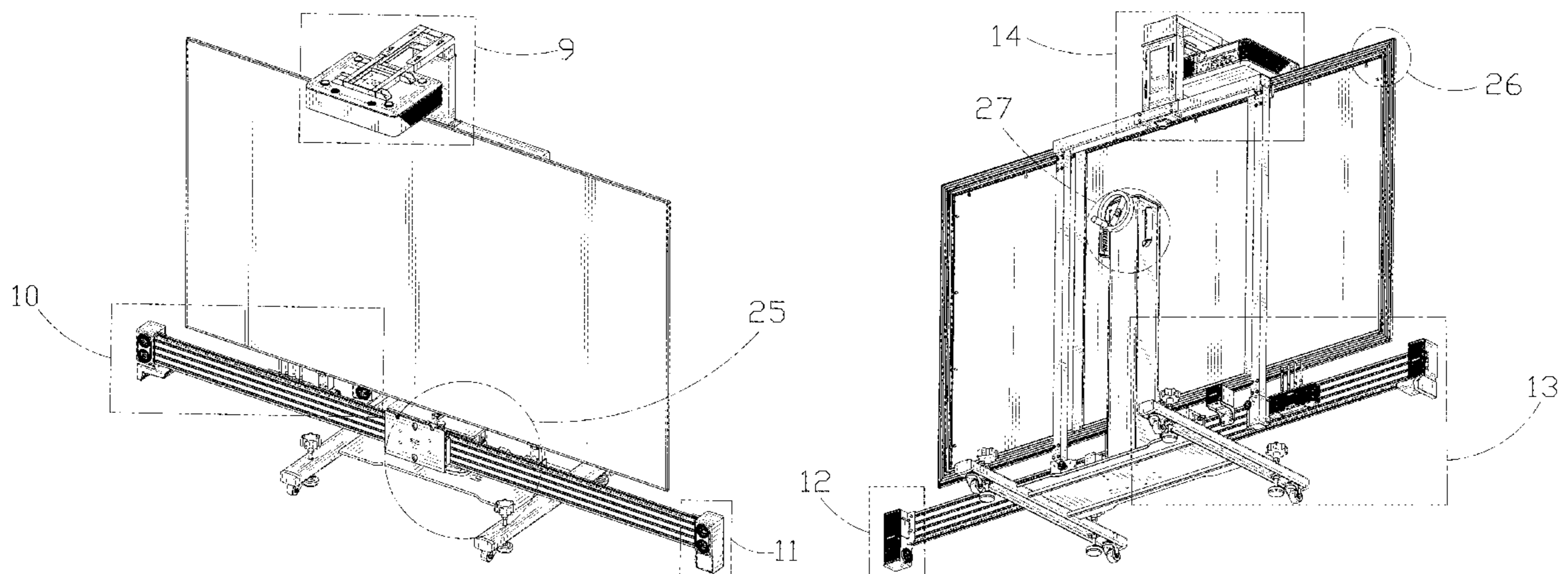


FIG. 27 is a partially enlarged view thereof, taken along line 27 of FIG. 2.

The broken lines in the drawings illustrate portions of the calibration apparatus which form no part of the claimed design.

1 Claim, 27 Drawing Sheets

(58) **Field of Classification Search**

CPC G08G 1/16; G08G 1/161; G08G 1/162;
G08G 1/163; G08G 1/164; G08G 1/165;
G08G 1/166; G08G 1/167; G08G 1/168;
G01S 17/023; G01S 17/936; H04N 5/232;
H04N 5/33; H04N 7/183

See application file for complete search history.

(56) **References Cited**

U.S. PATENT DOCUMENTS

D863,079 S * 10/2019 Cai H04N 7/183
D10/65
10,732,915 B2 * 8/2020 Shibao H04N 7/183

* cited by examiner

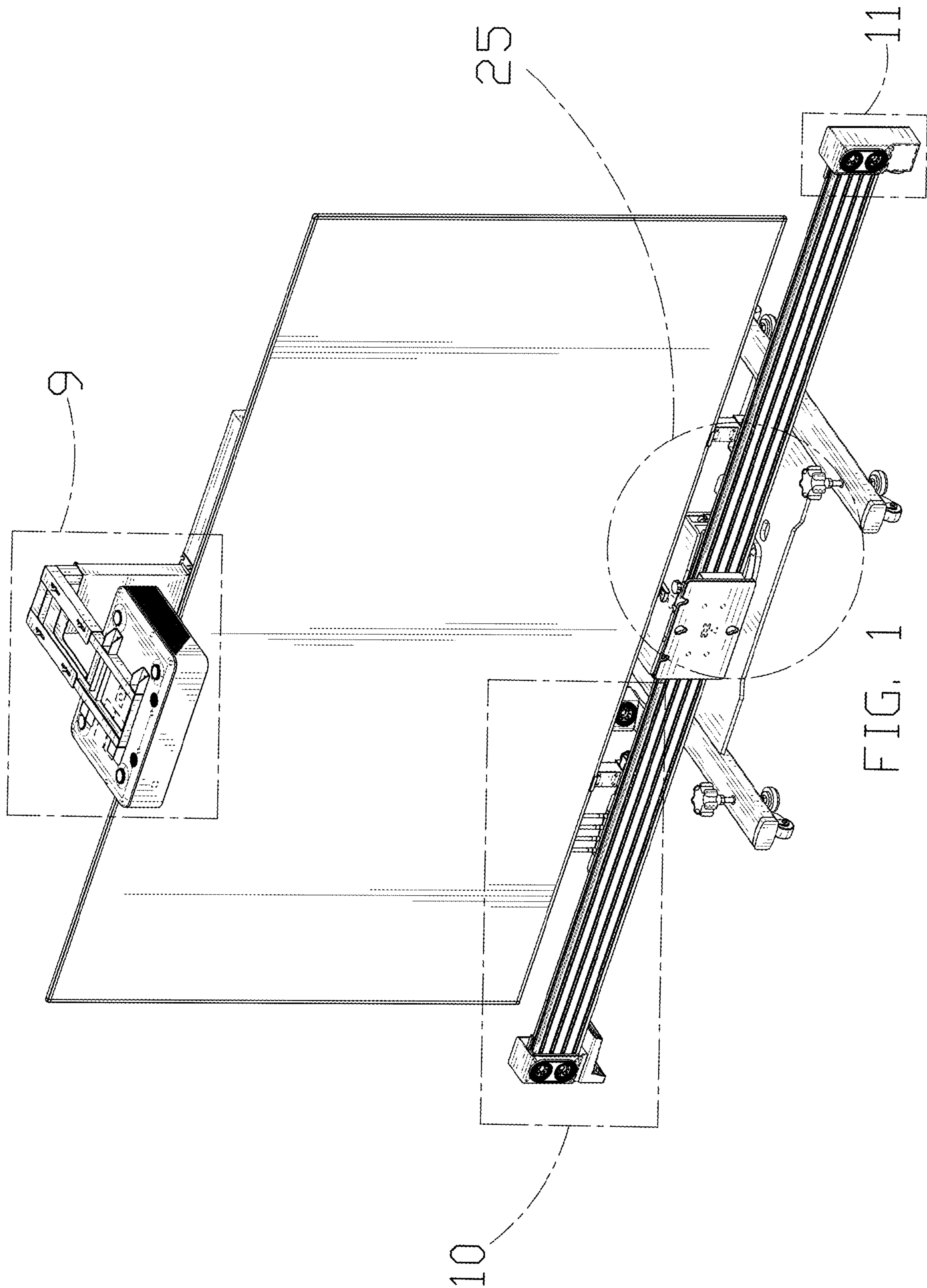
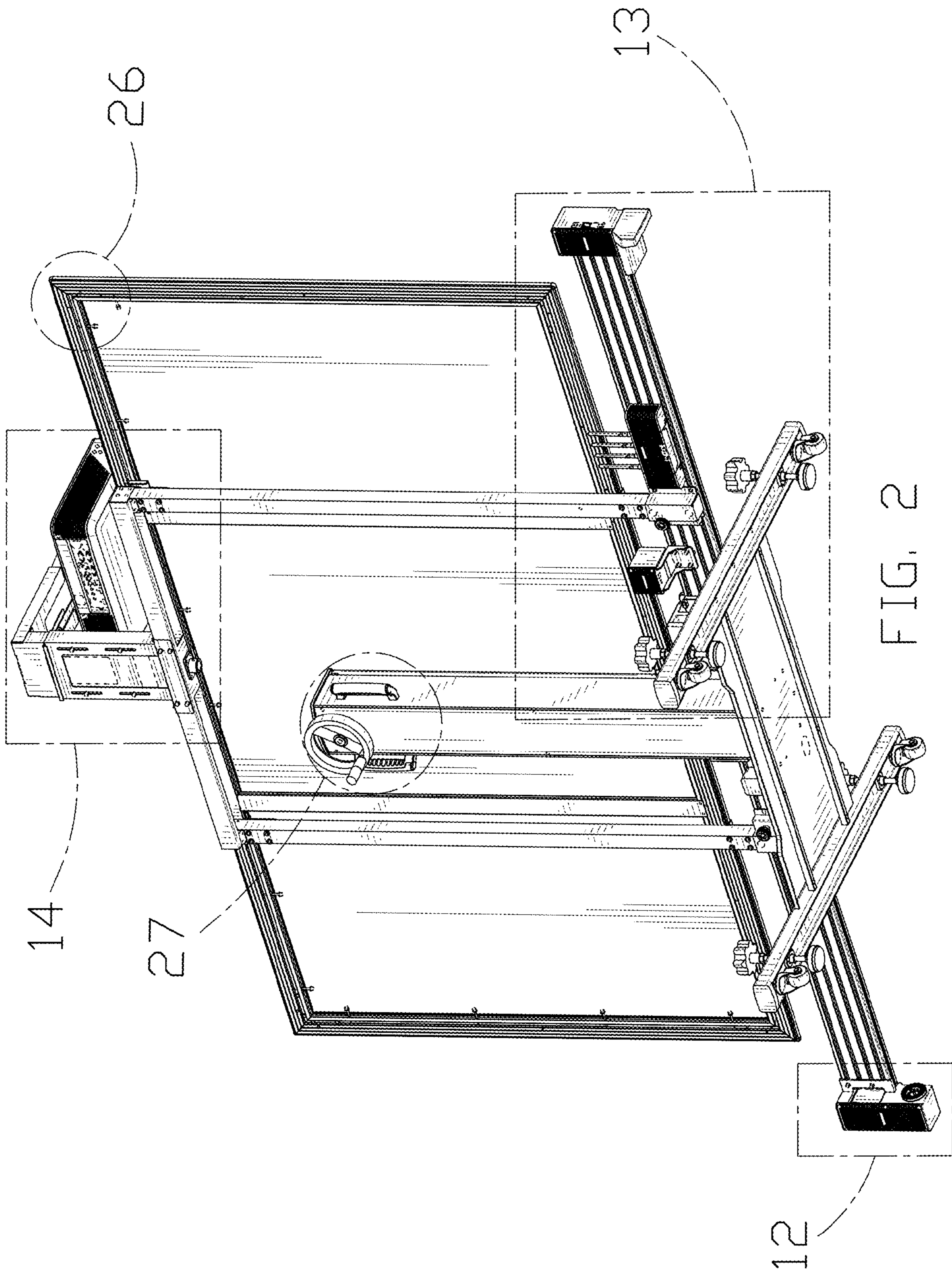


FIG. 1



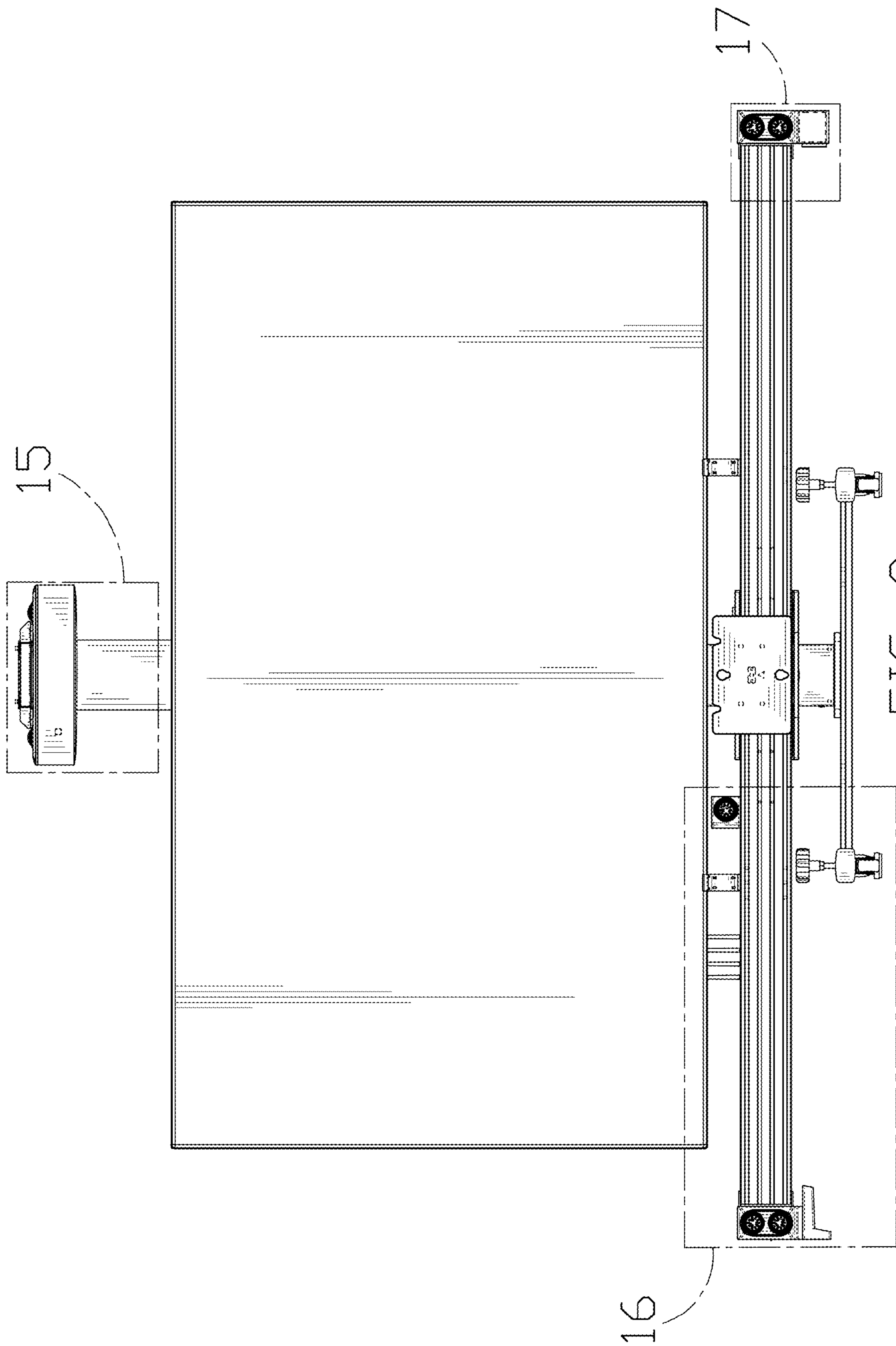


FIG. 3

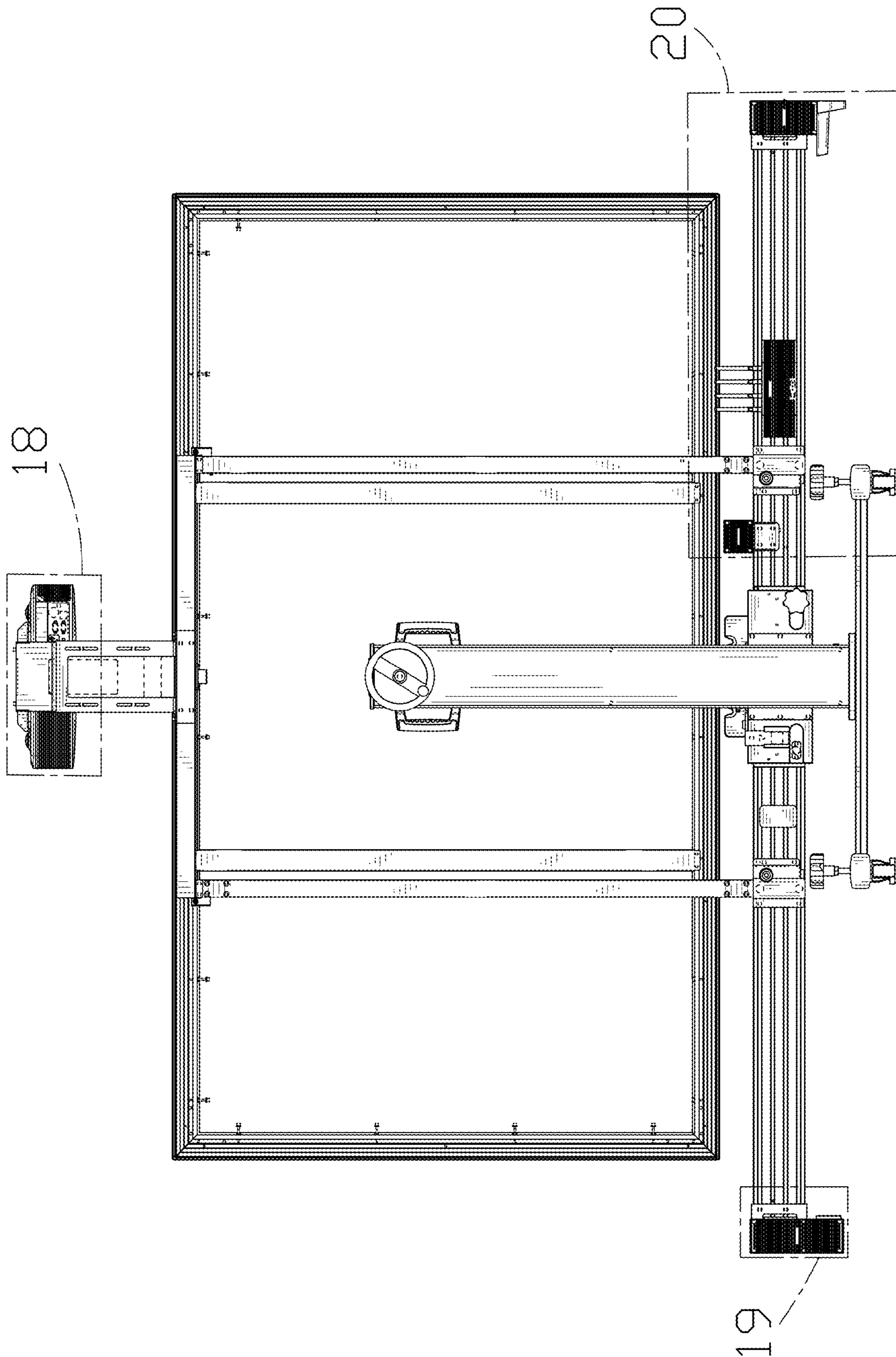
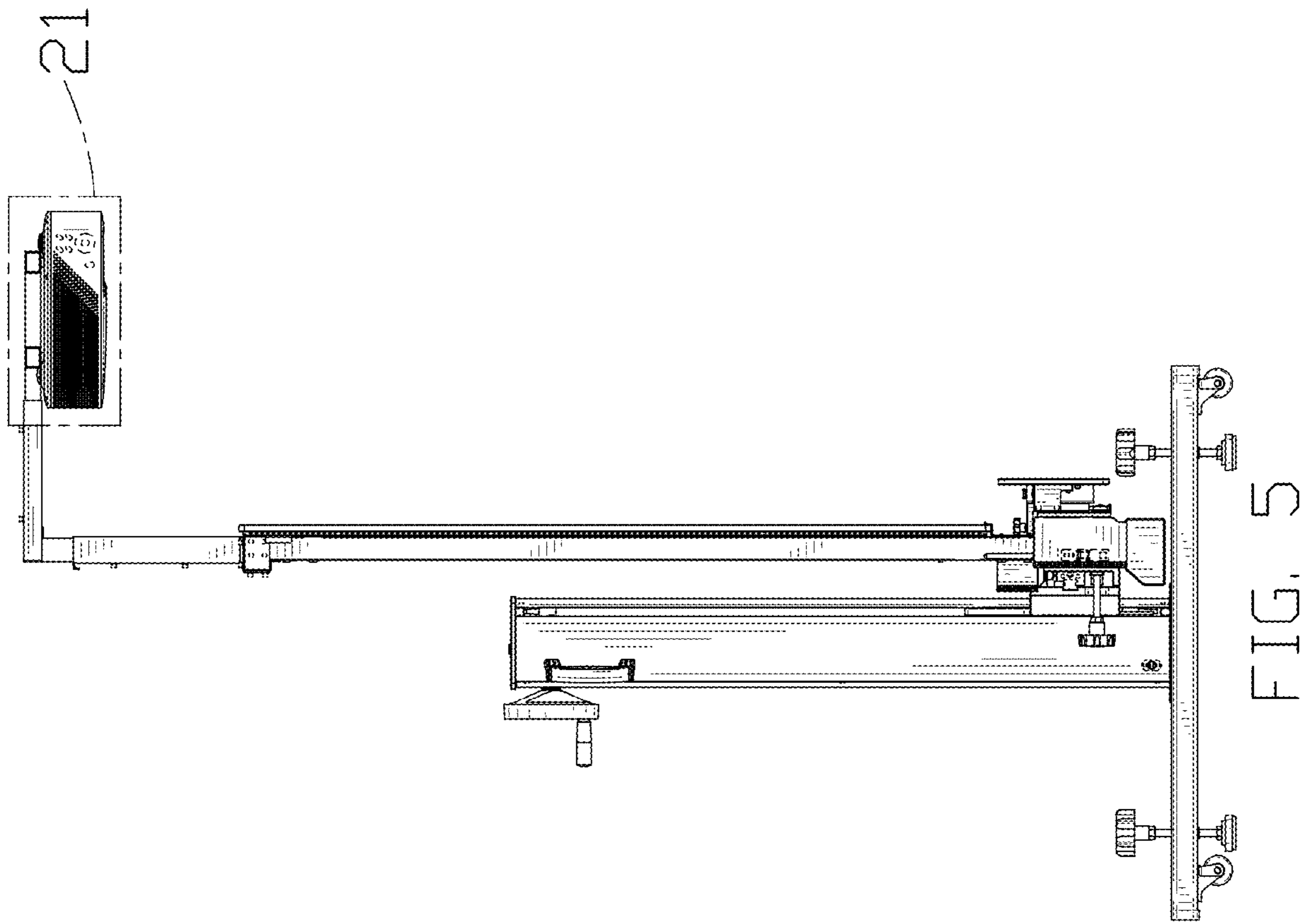
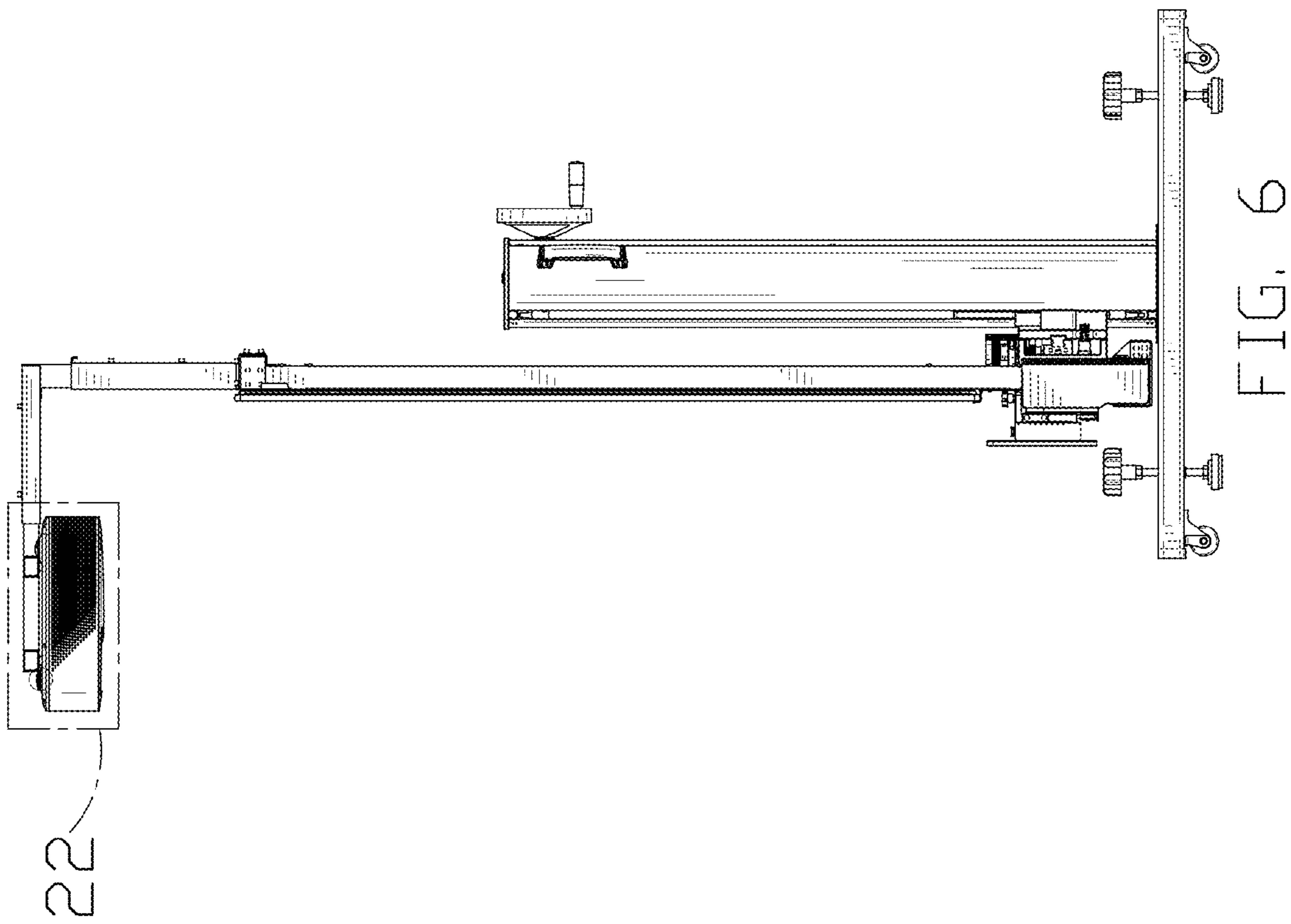


FIG. 4





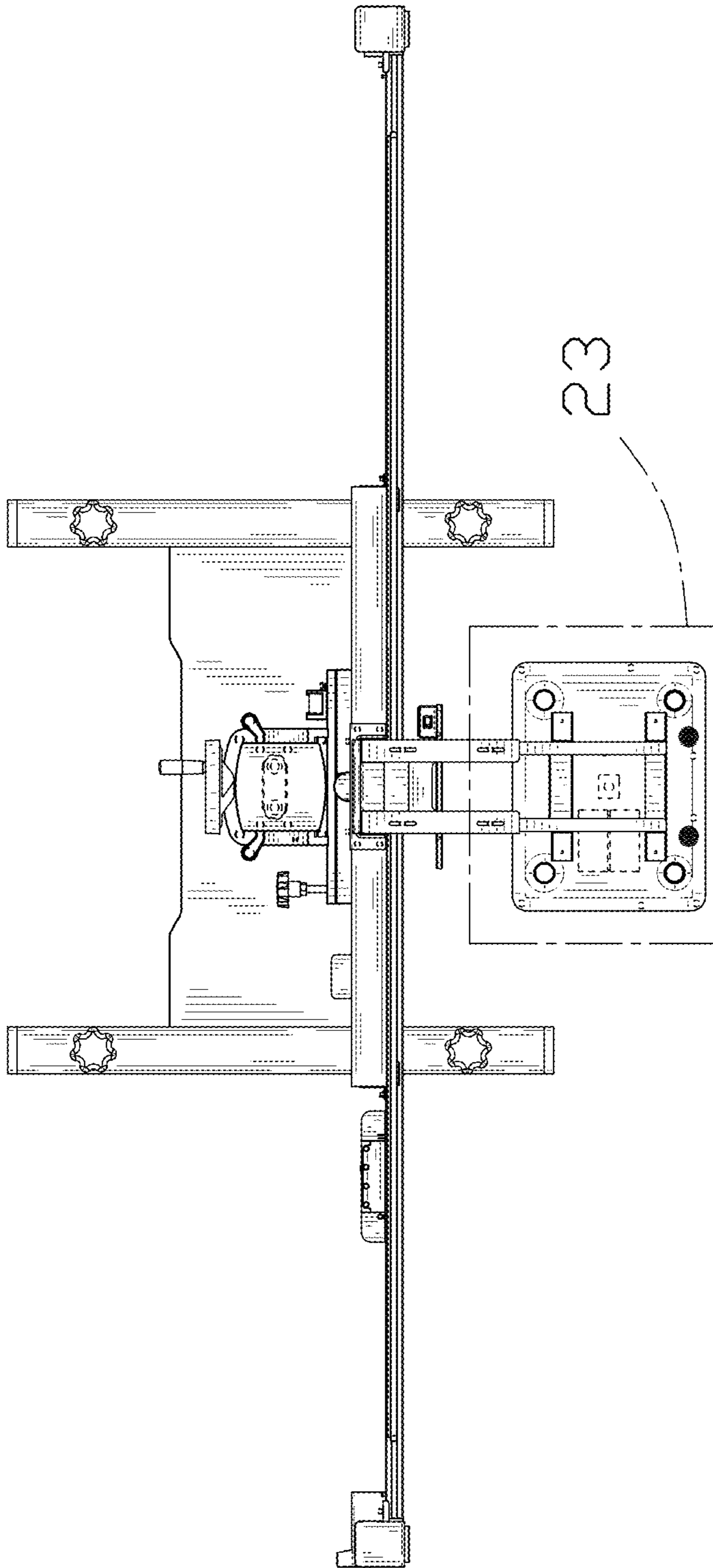


FIG. 7

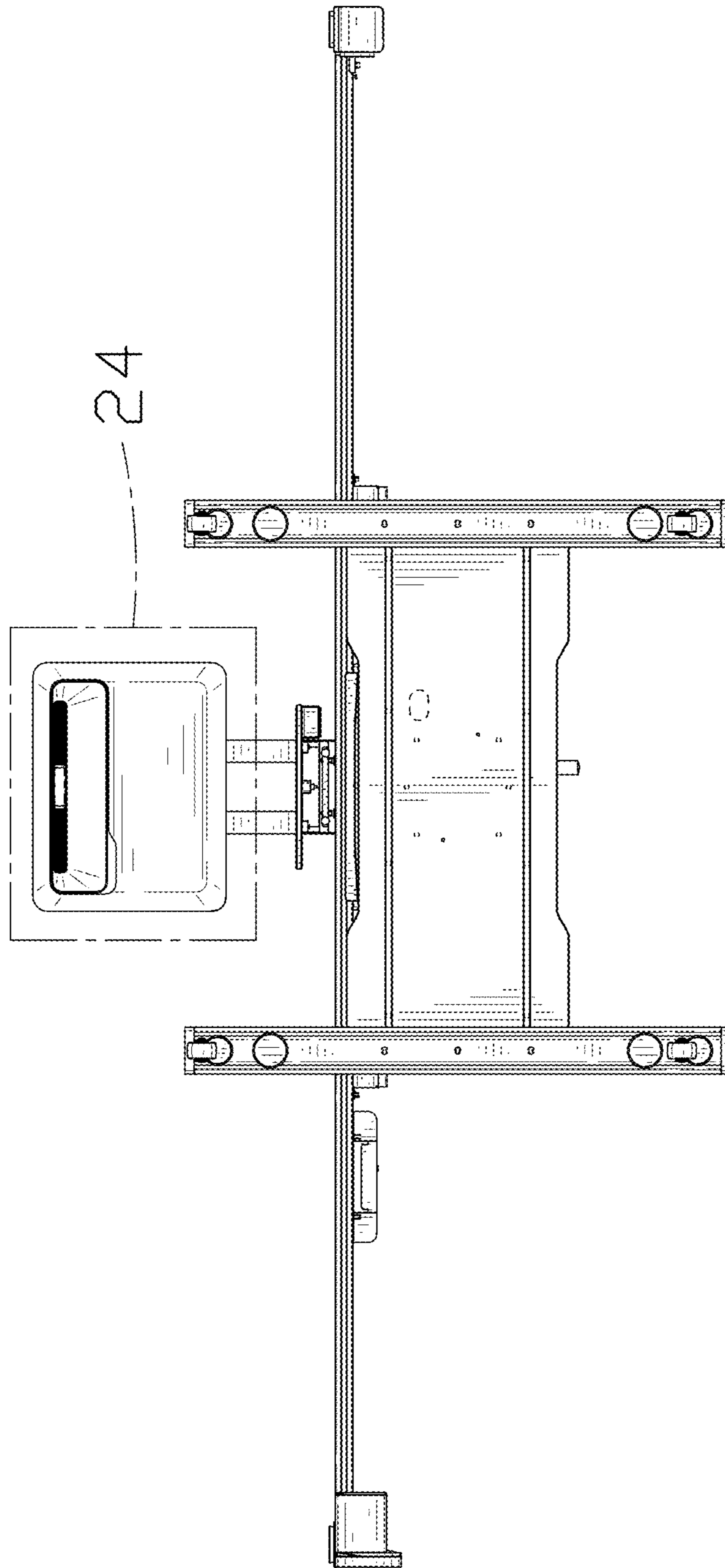


FIG. 8

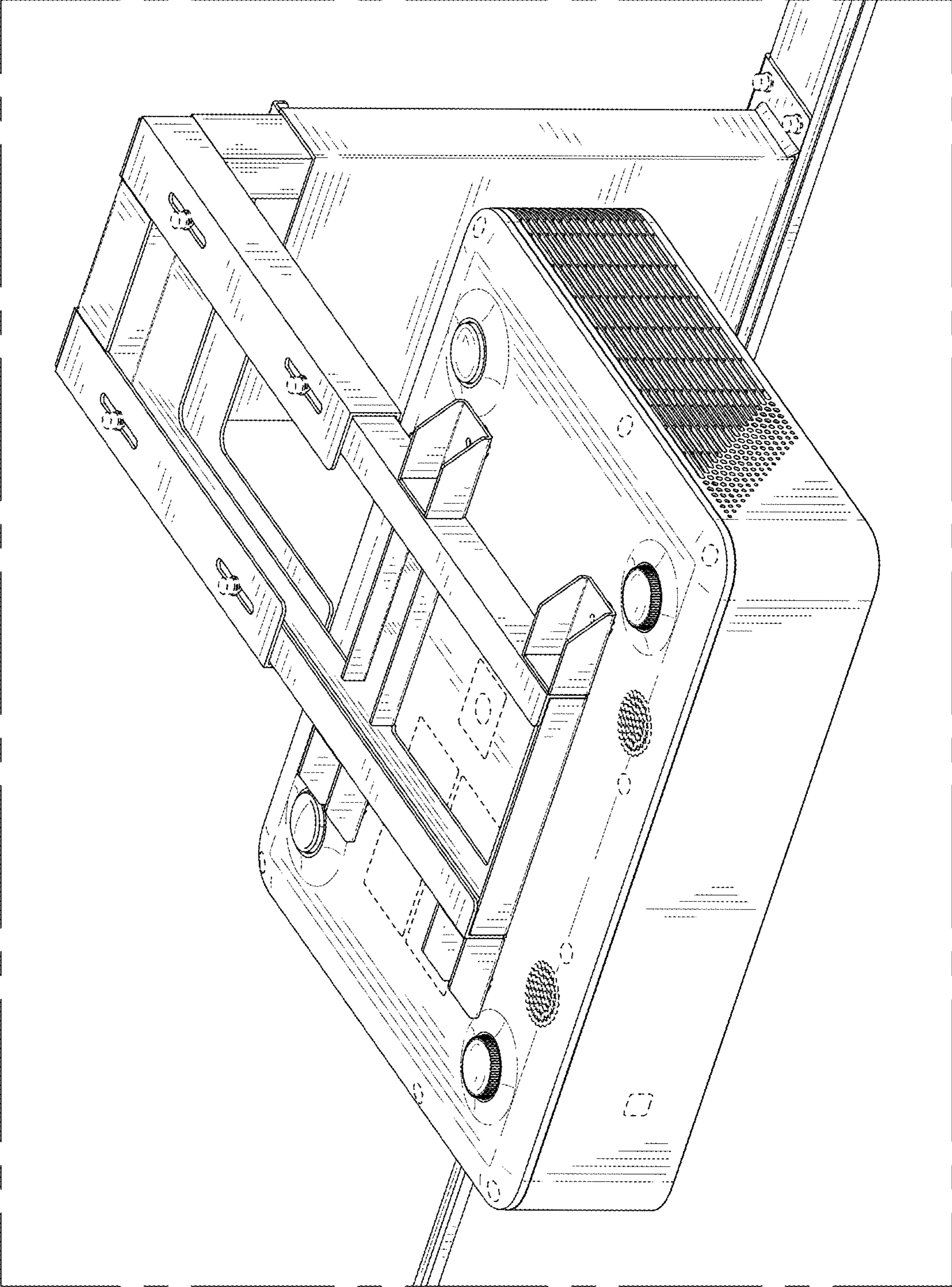


FIG. 9

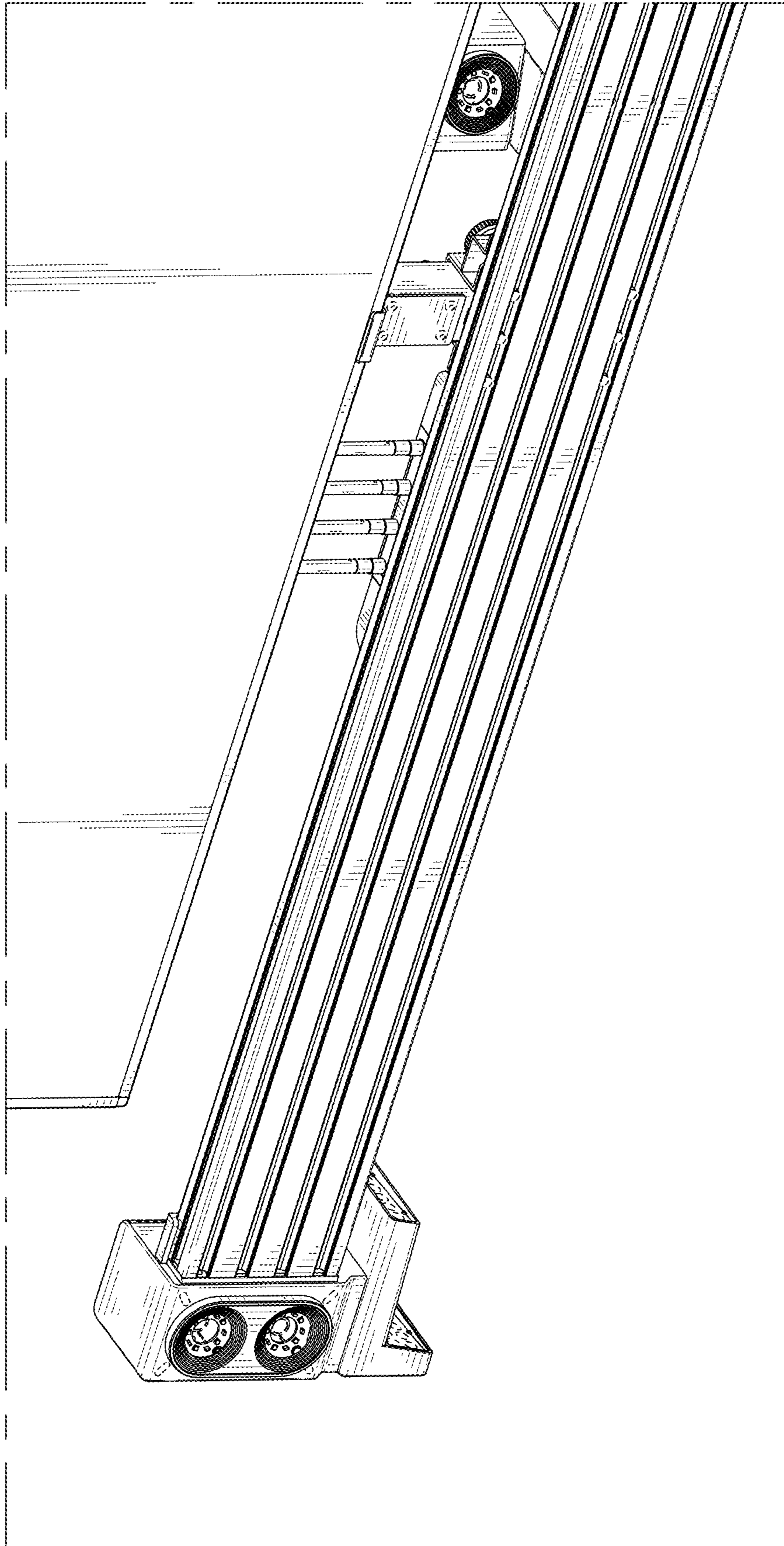


FIG. 10

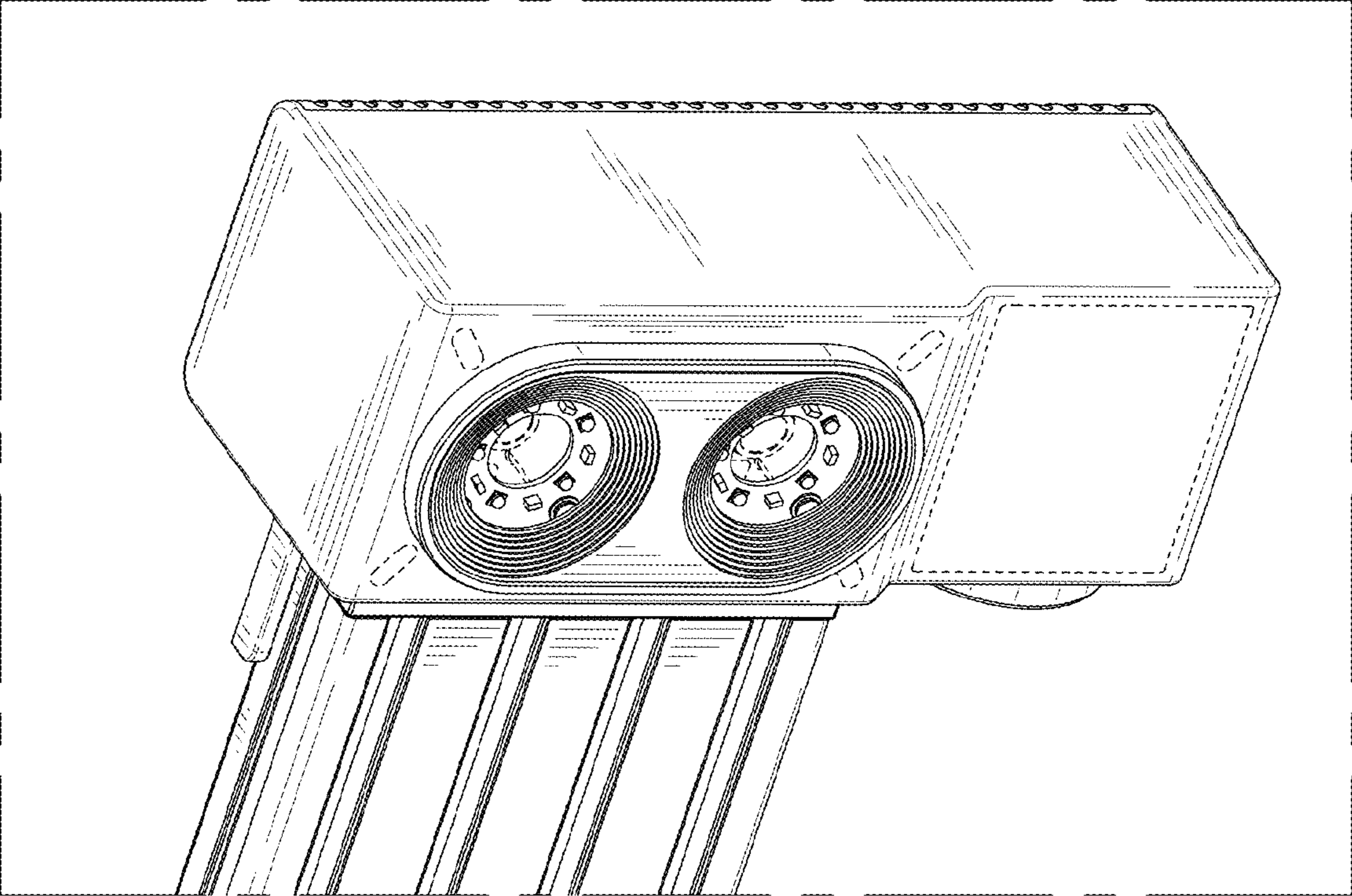


FIG. 11

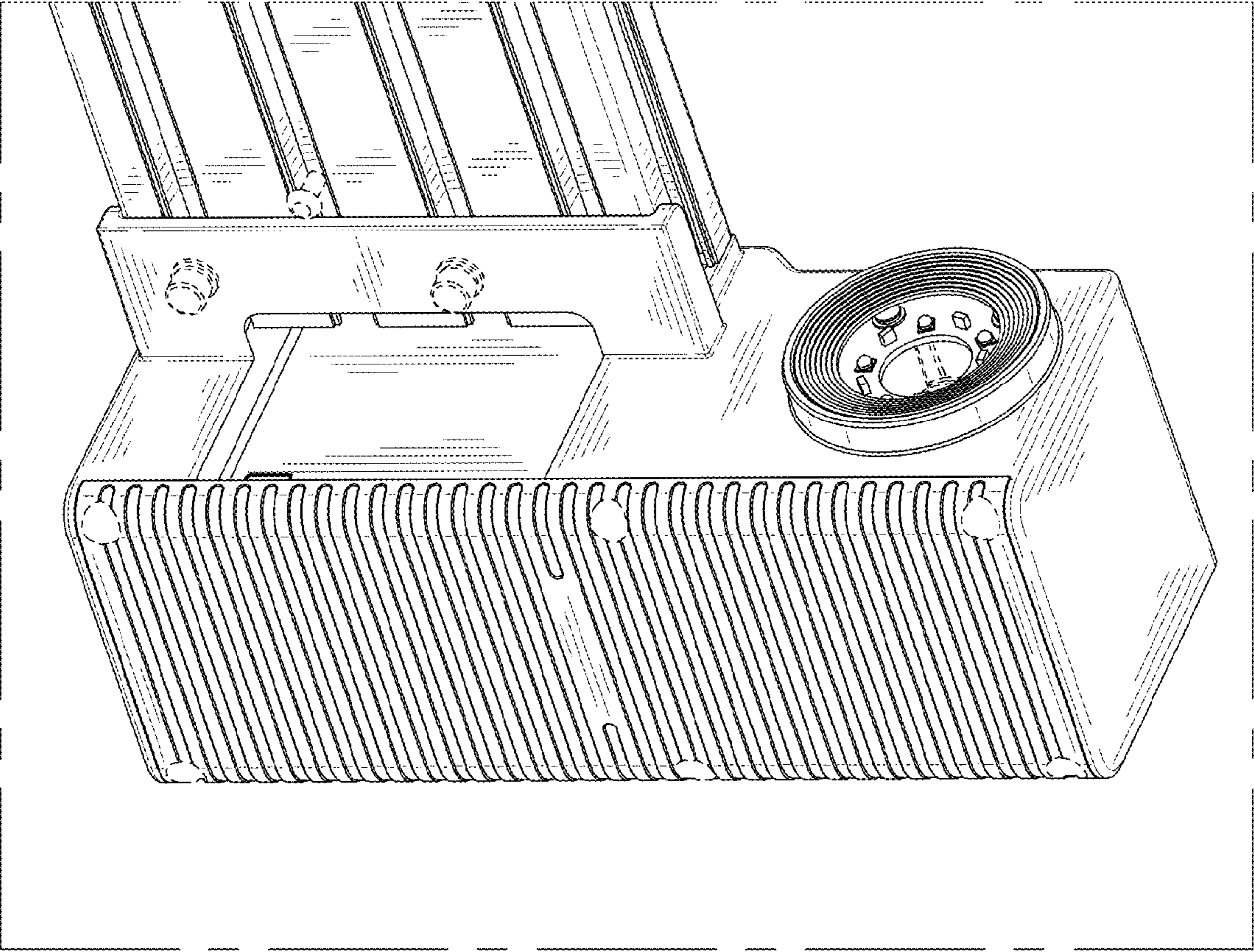


FIG. 12

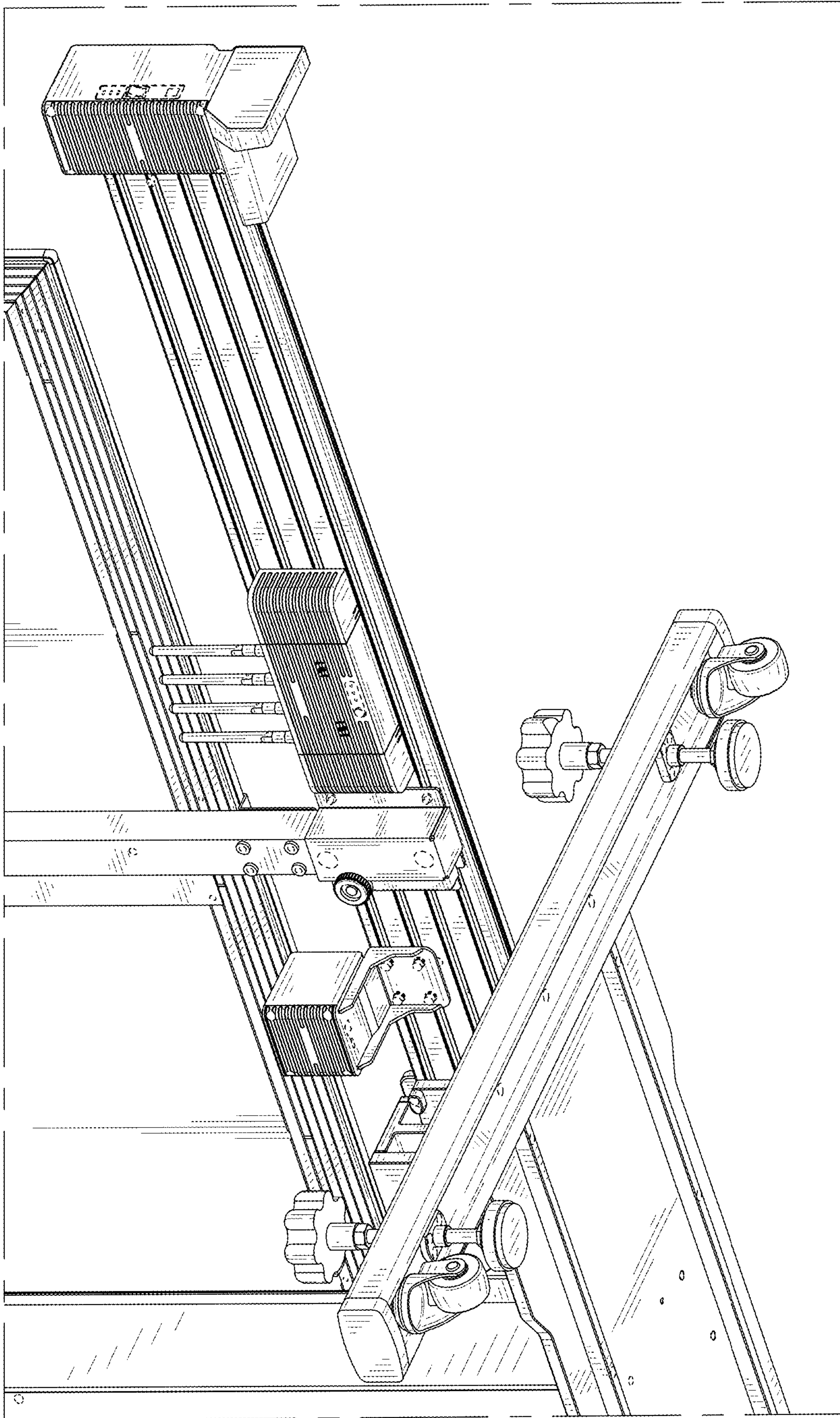


FIG. 13

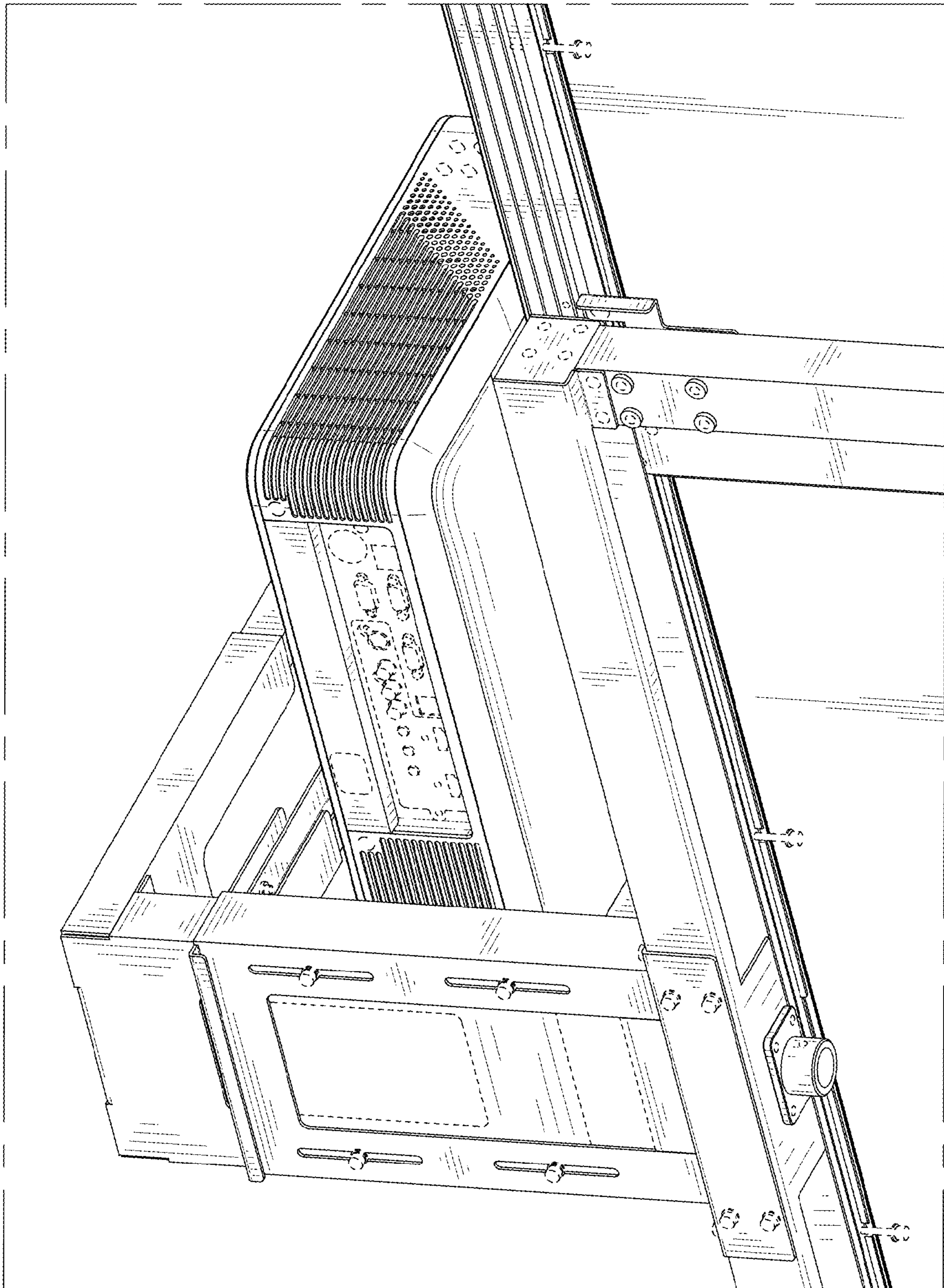


FIG. 14

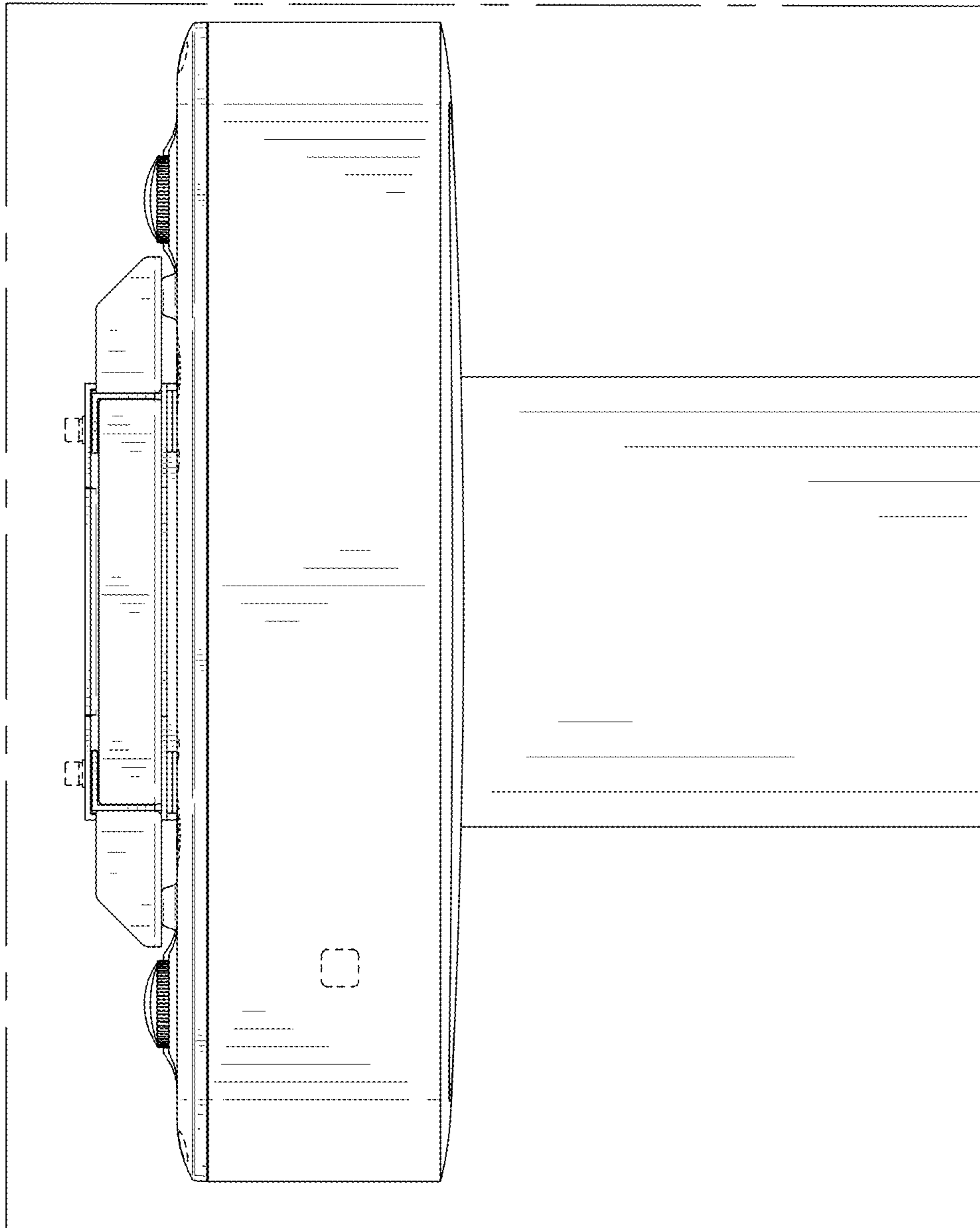


FIG. 15

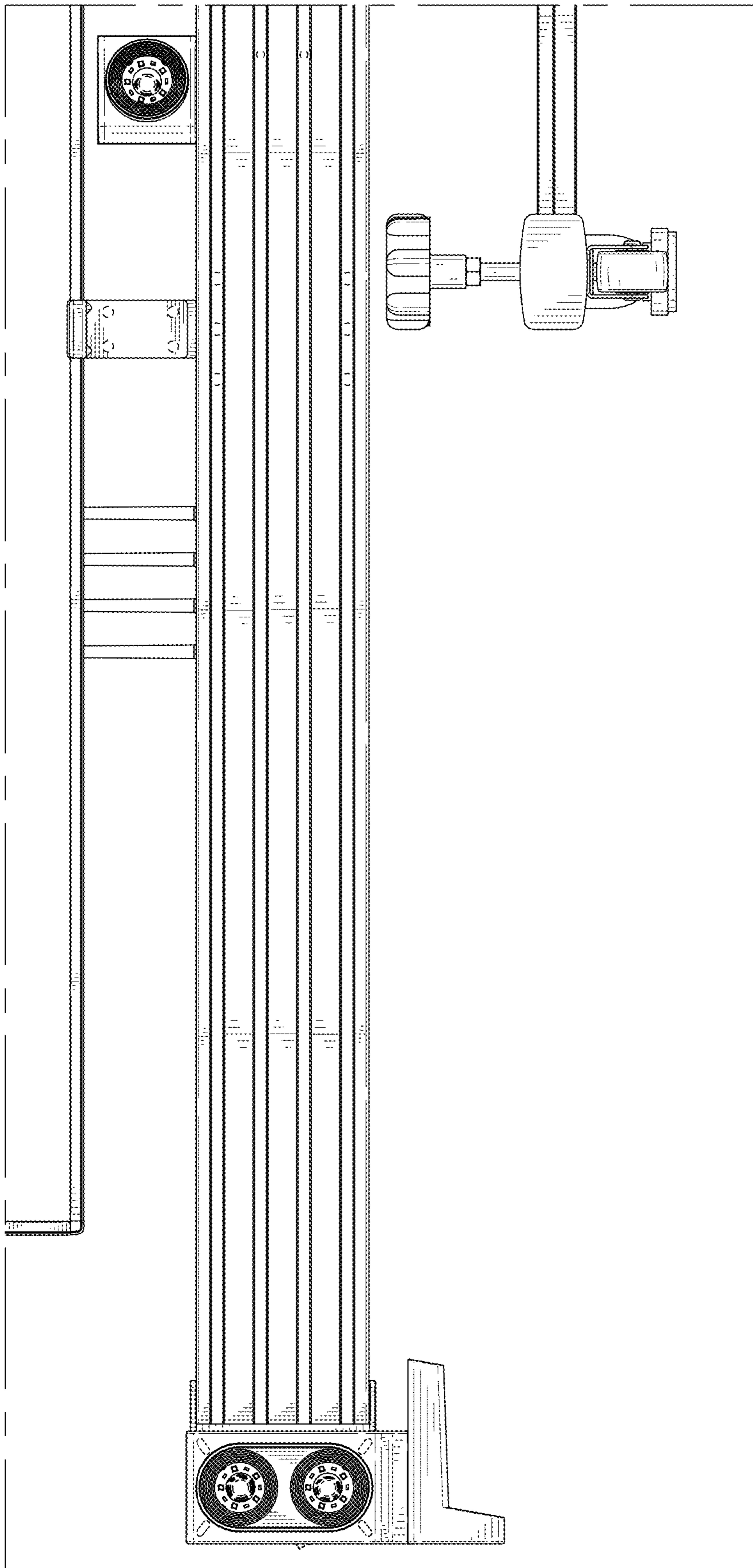


FIG. 16

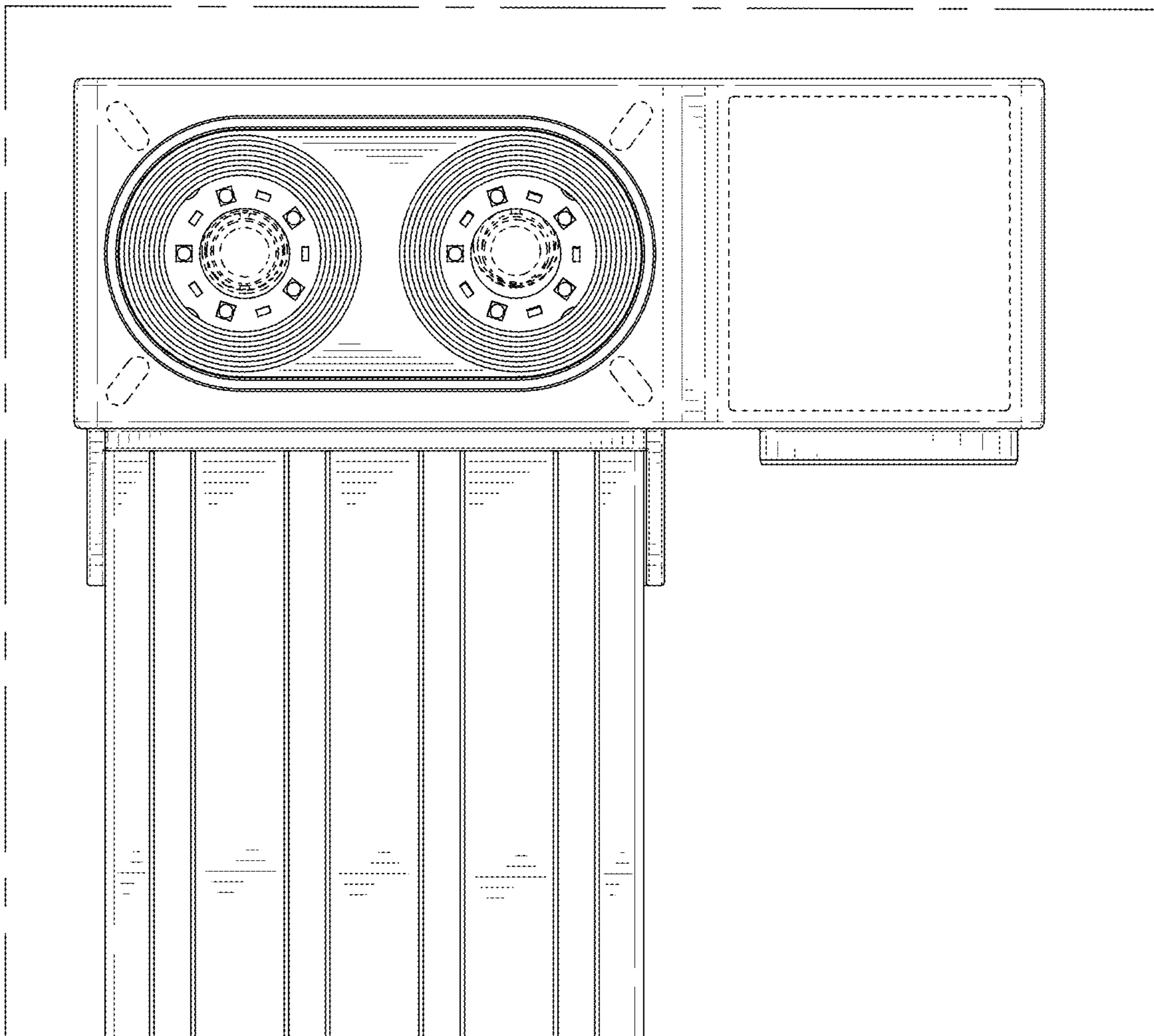


FIG. 17

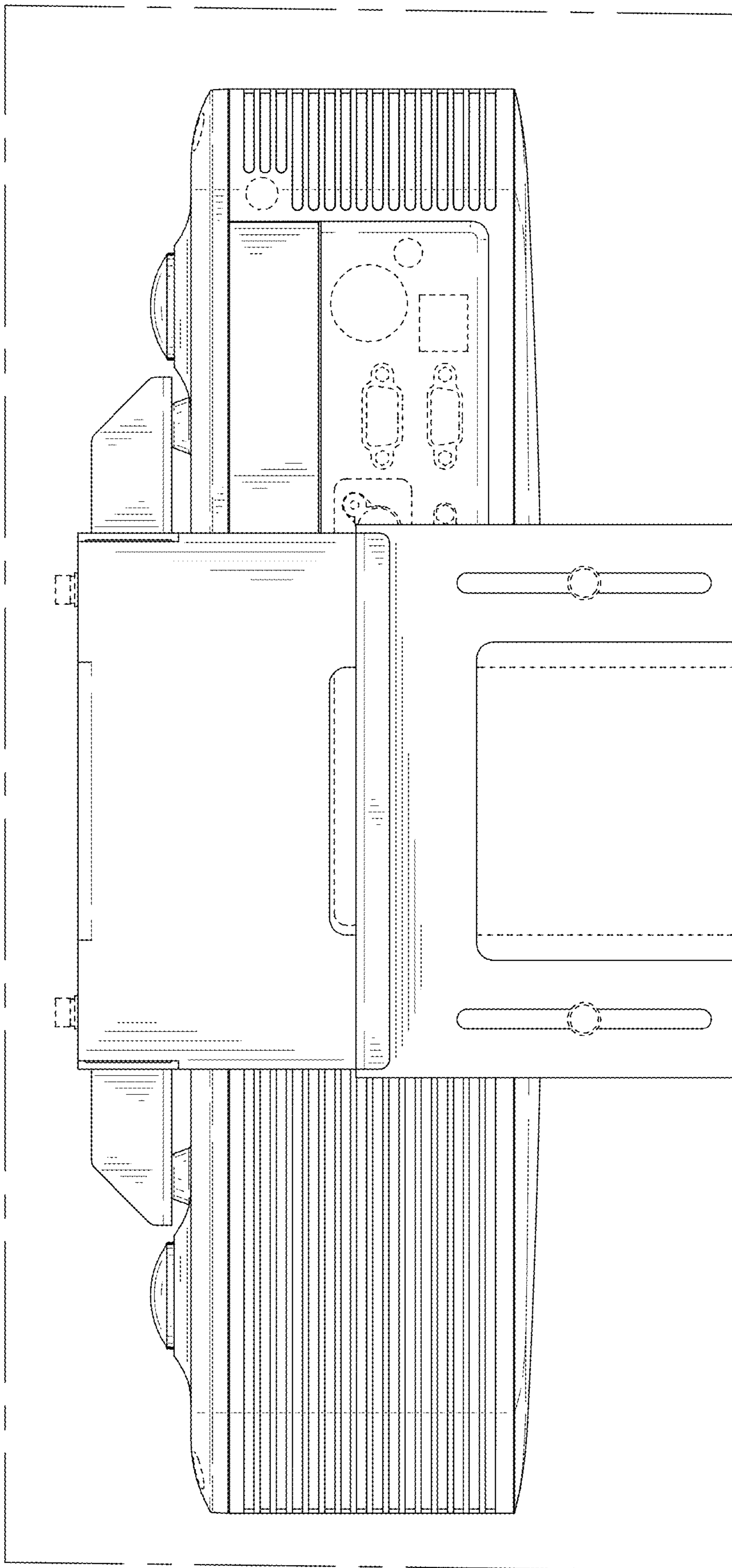


FIG. 18

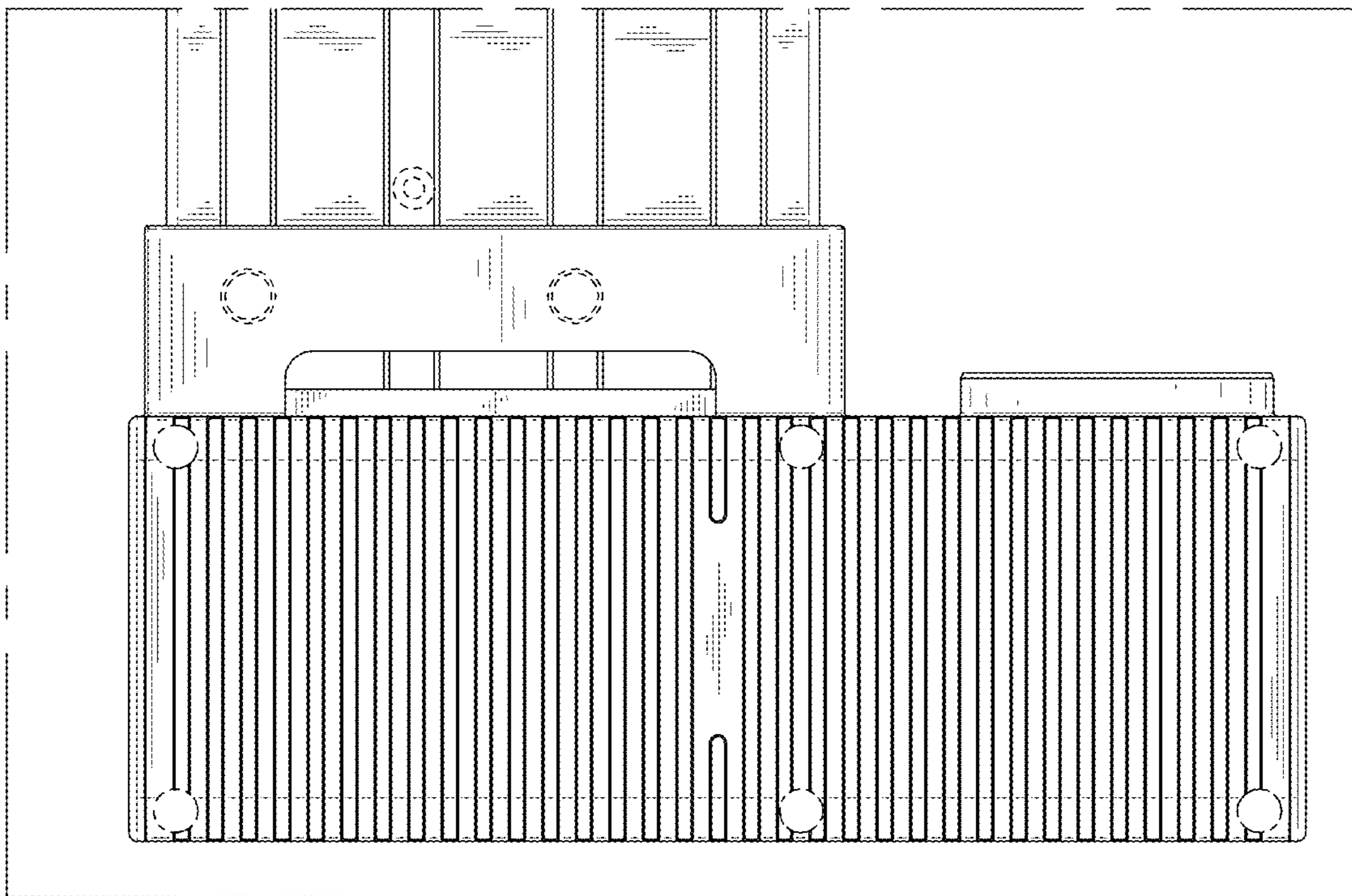


FIG. 19

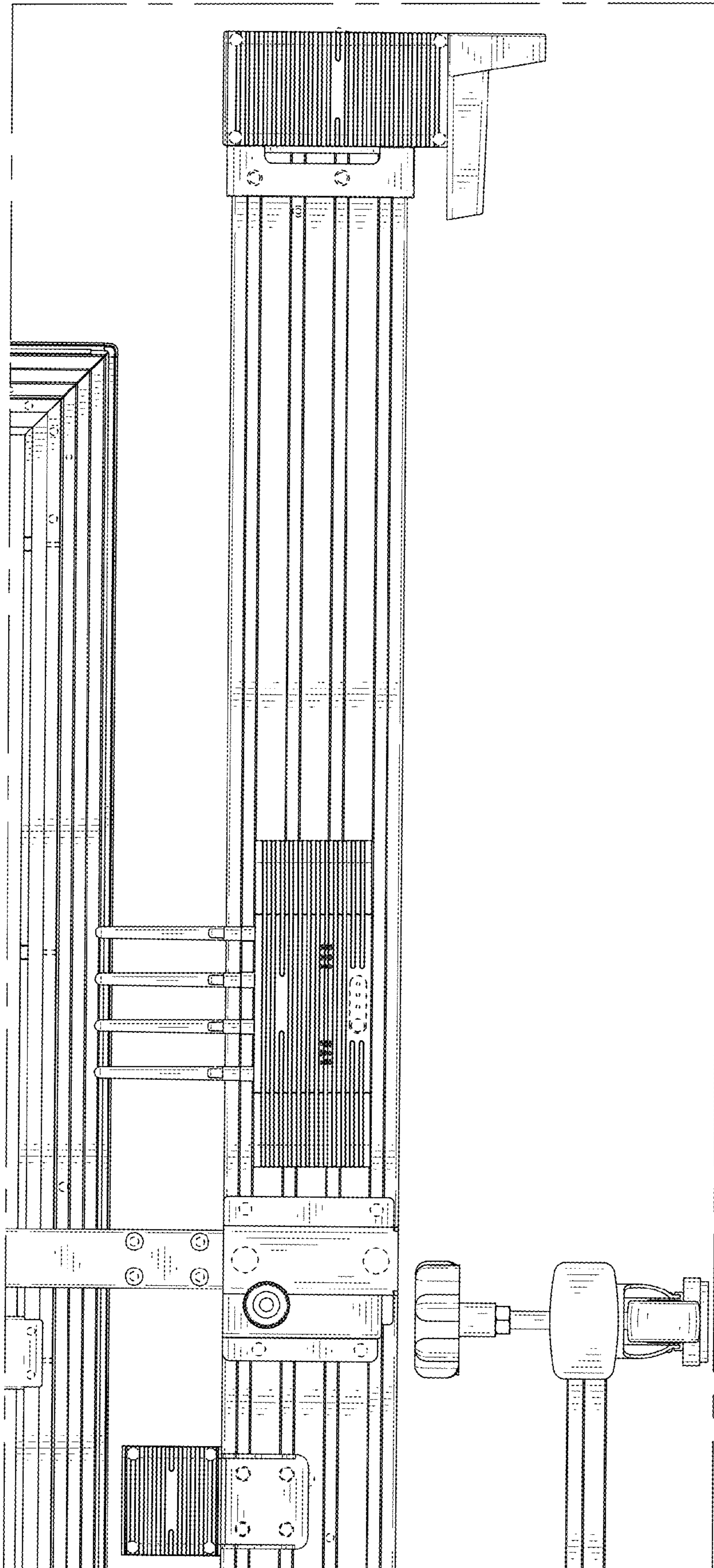


FIG. 20

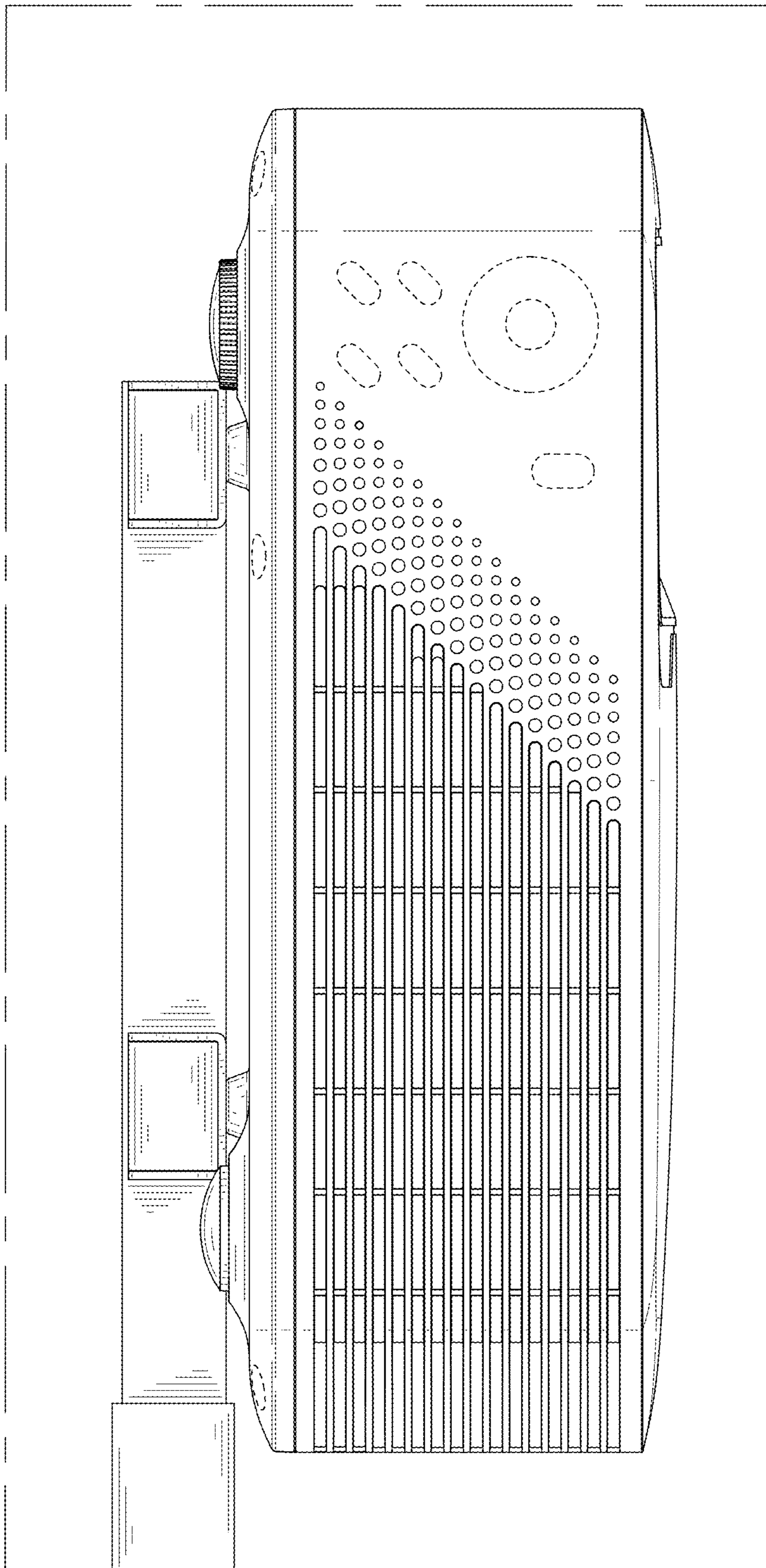


FIG. 21

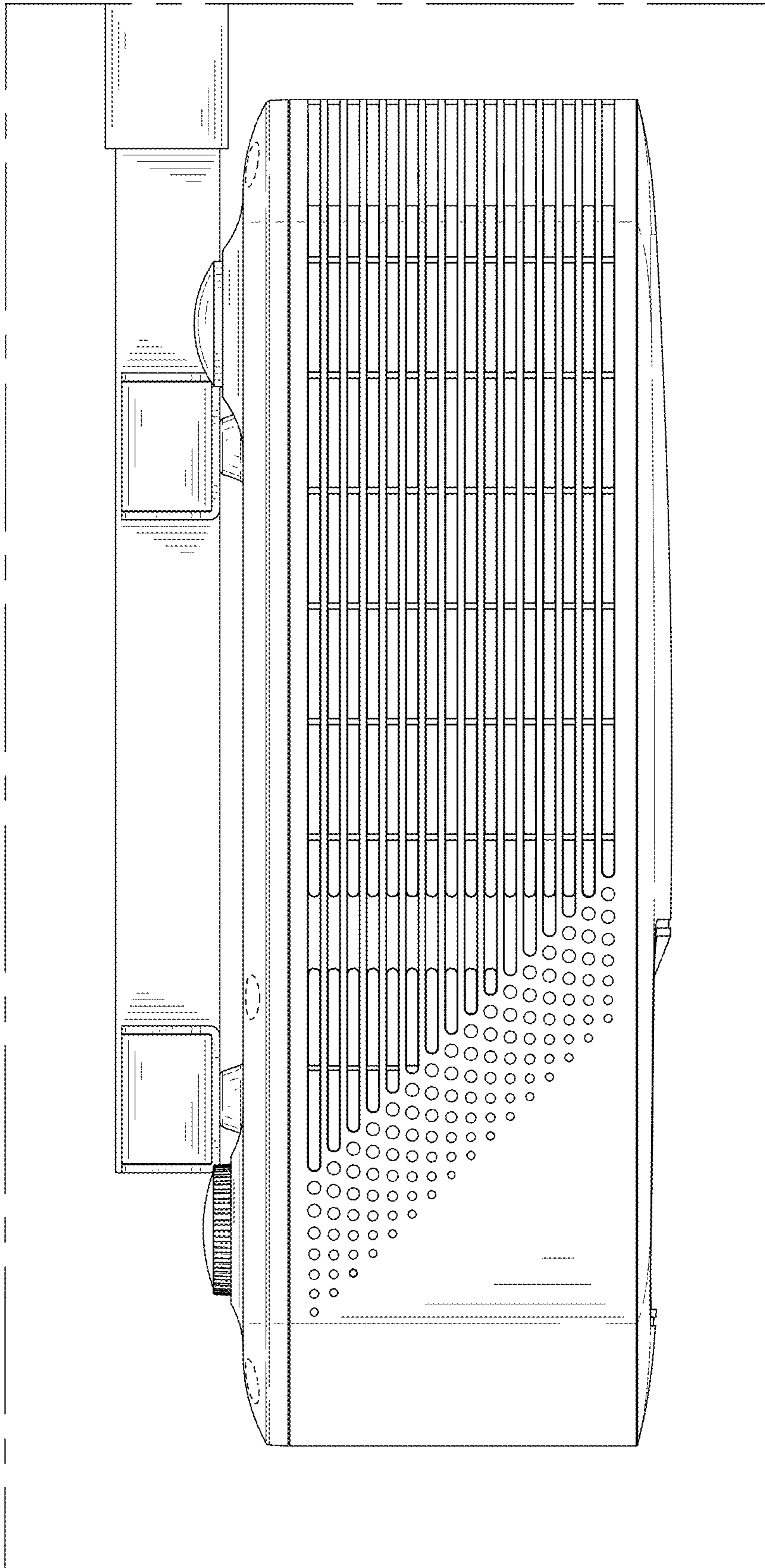


FIG. 22

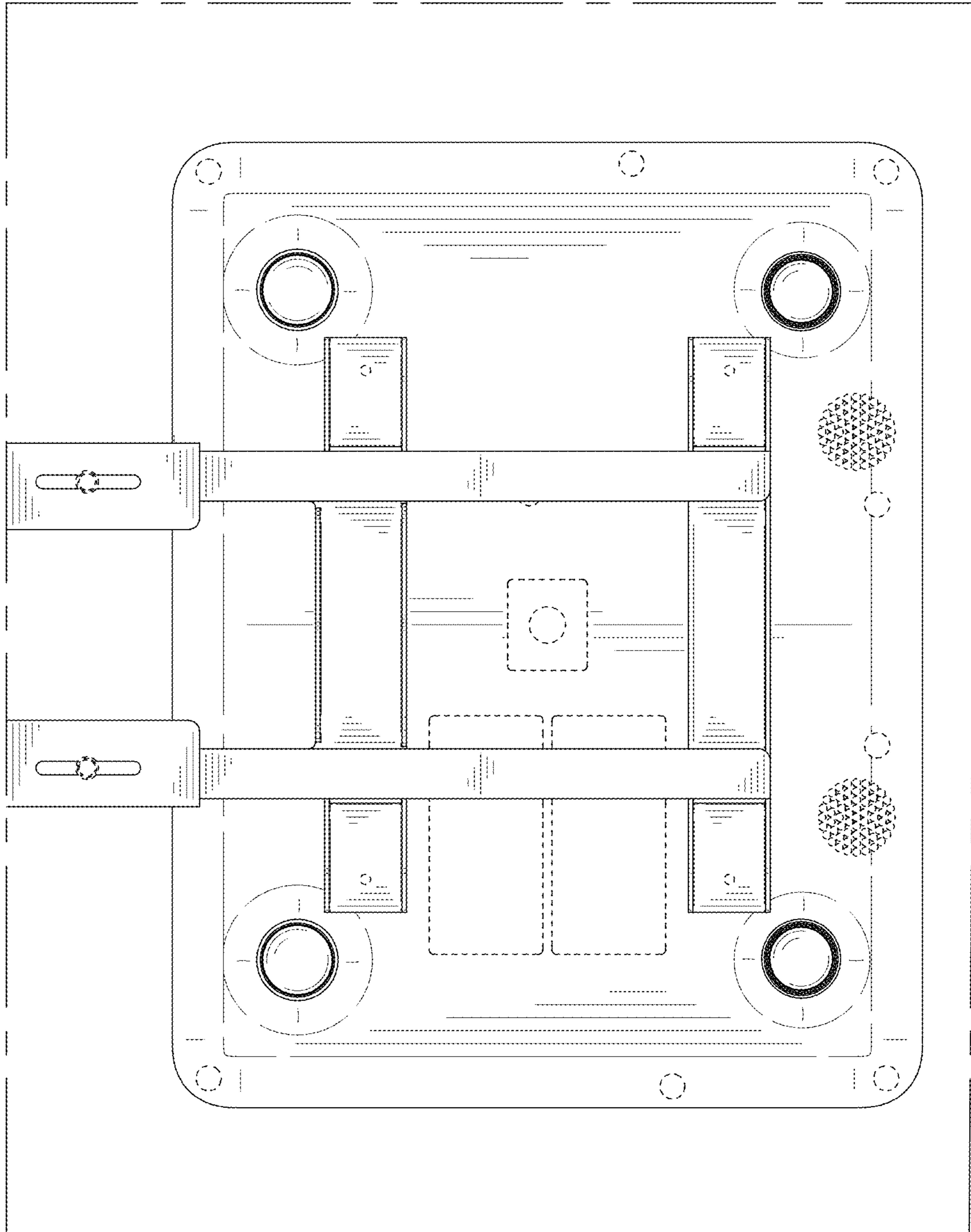


FIG. 23

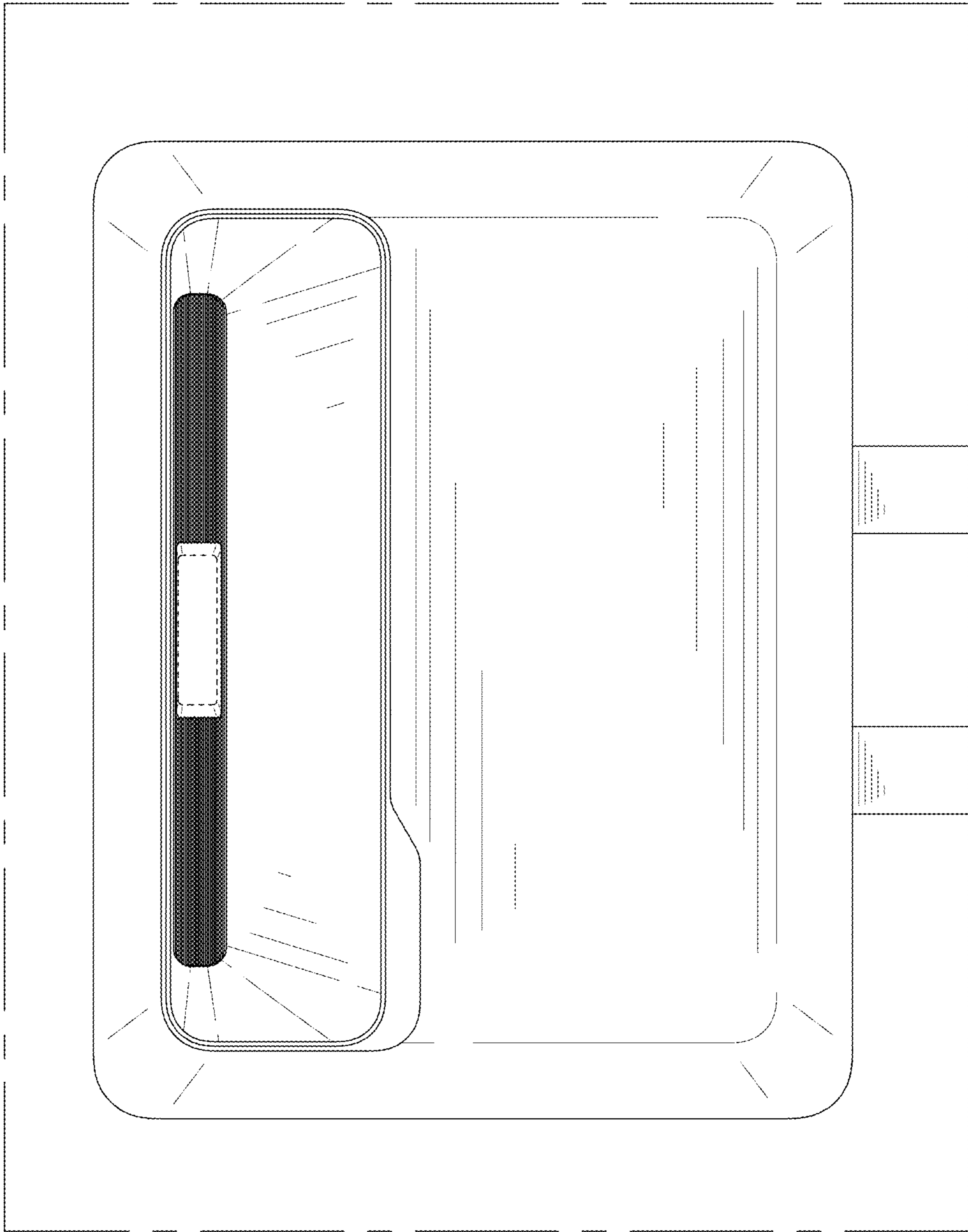


FIG. 24

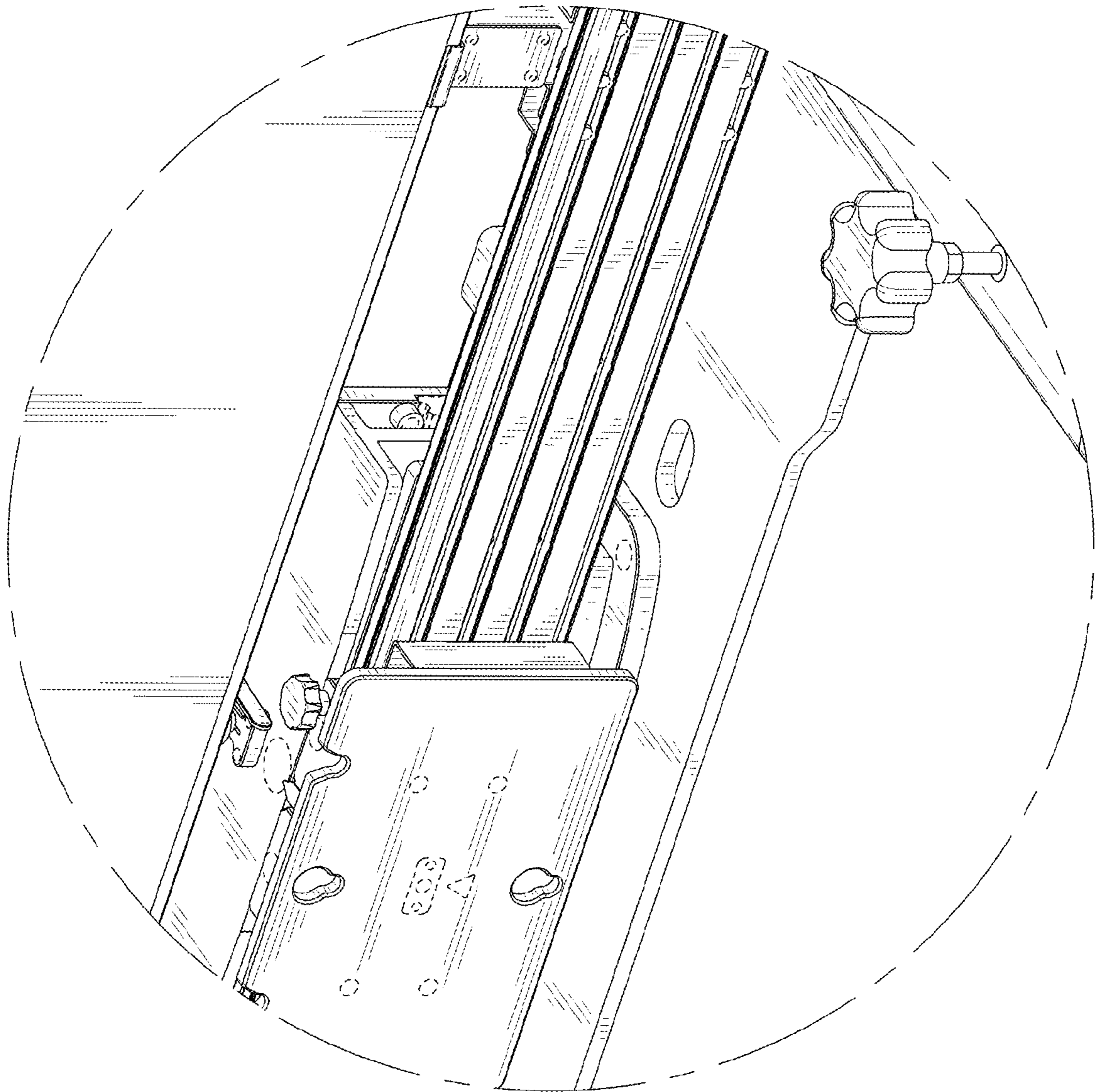


FIG. 25

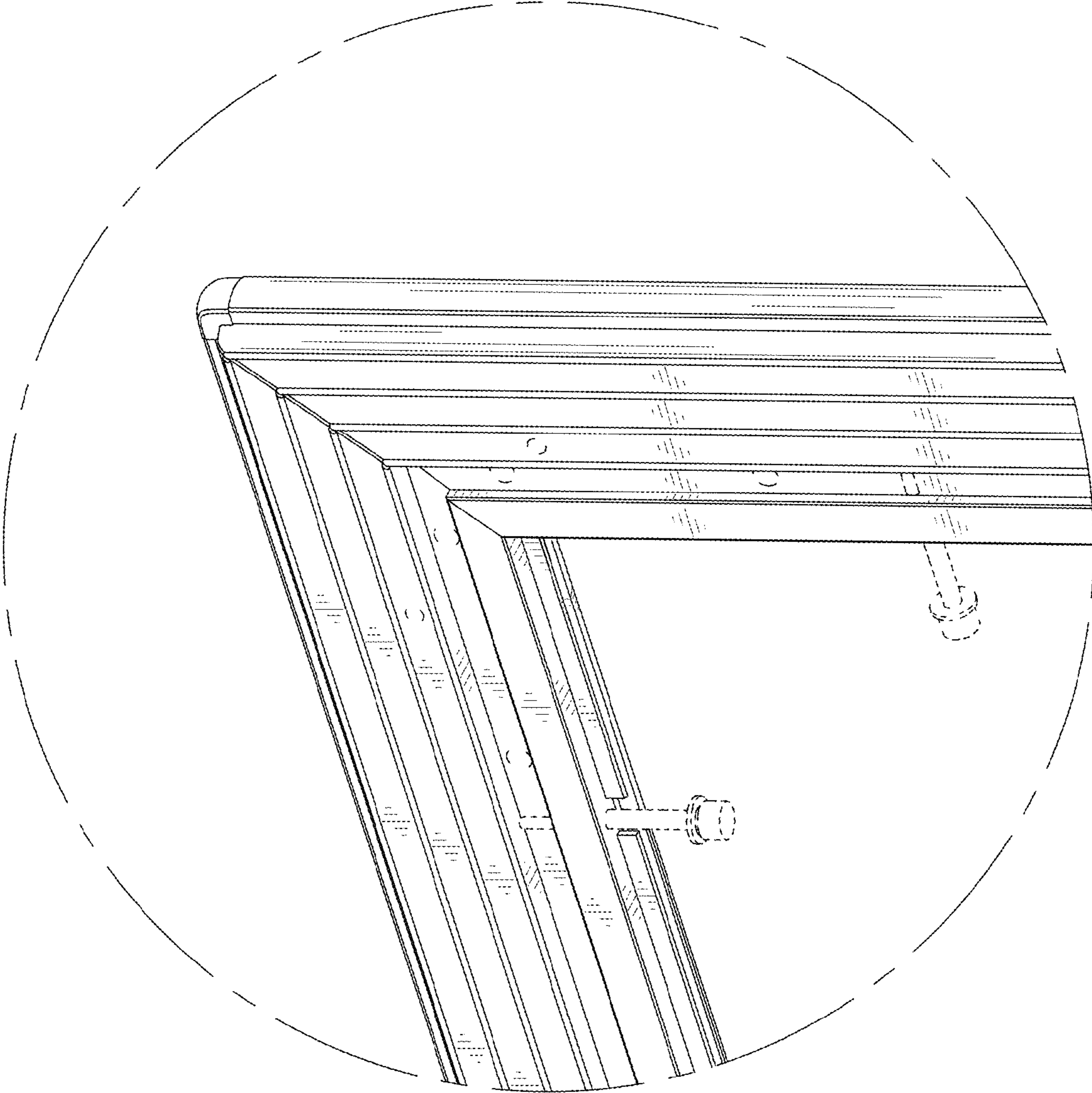


FIG. 26

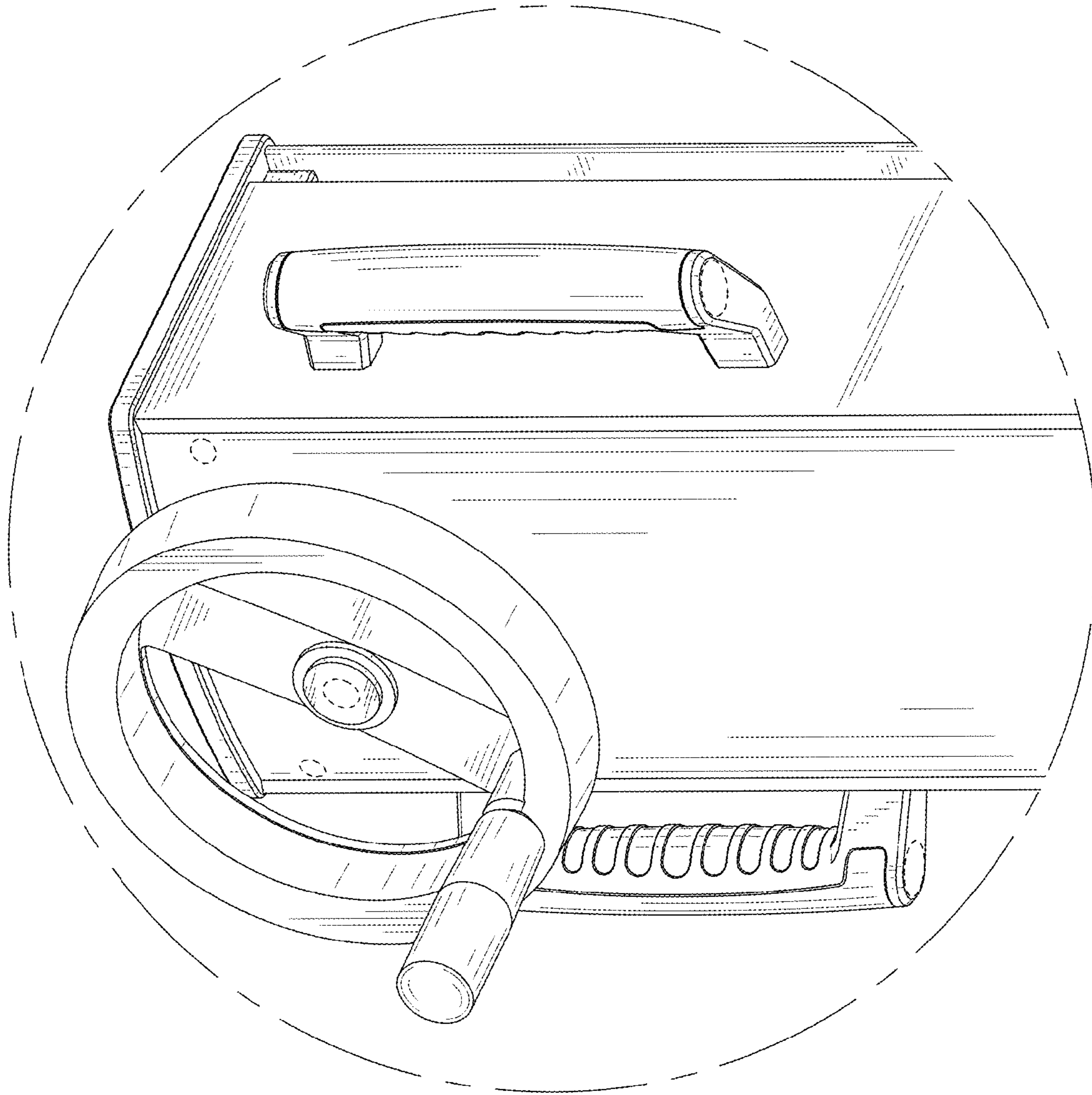


FIG. 27