



US00D984908S

(12) **United States Design Patent**
Gong et al.

(10) **Patent No.:** **US D984,908 S**

(45) **Date of Patent:** **** May 2, 2023**

(54) **BARBECUE THERMOMETER**

(71) Applicant: **Shenzhen Intellirocks Tech Co., Ltd.**,
Shenzhen (CN)

(72) Inventors: **Cheng Gong**, Shenzhen (CN);
Wenlong Wu, Shenzhen (CN)

(73) Assignee: **Shenzhen Intellirocks Tech Co., Ltd.**,
Shenzhen (CN)

(**) Term: **15 Years**

(21) Appl. No.: **29/804,016**

(22) Filed: **Aug. 17, 2021**

(51) **LOC (14) Cl.** **10-04**

(52) **U.S. Cl.**
USPC **D10/57**

(58) **Field of Classification Search**
USPC D10/57
CPC G01K 2207/02; G01K 2207/04; G01K
2207/06; G01K 2207/08
See application file for complete search history.

(56) **References Cited**

U.S. PATENT DOCUMENTS

D932,927 S * 10/2021 Wu D10/57

D942,873 S * 2/2022 Yu D10/57
D947,043 S * 3/2022 Wu D10/57
D947,044 S * 3/2022 Wu D10/57

* cited by examiner

Primary Examiner — Antoine Duval Davis
(74) *Attorney, Agent, or Firm* — ScienBiziP, P.C.

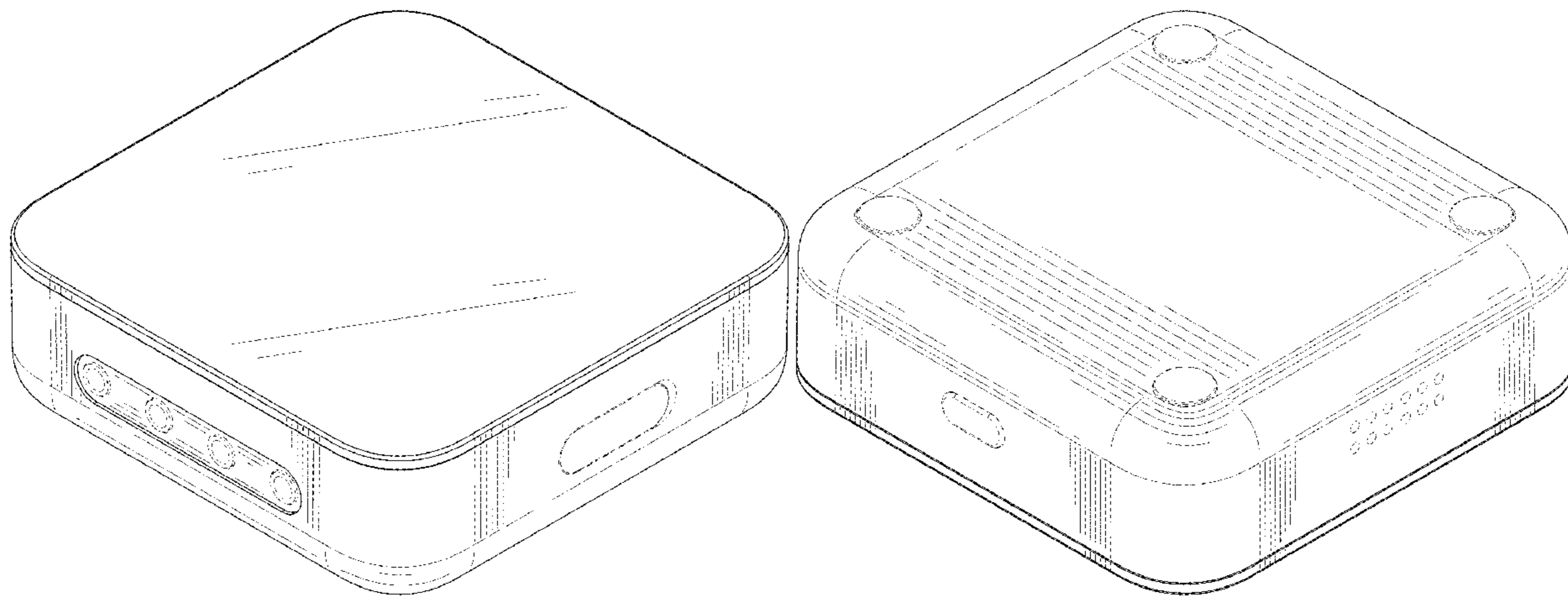
(57) **CLAIM**

The ornamental design for a barbecue thermometer, as shown and described.

DESCRIPTION

FIG. 1 is a front, right, and top perspective view of a barbecue thermometer, showing my design.
FIG. 2 is a rear, left, and bottom perspective view thereof.
FIG. 3 is a front elevation view thereof.
FIG. 4 is a rear elevation view thereof.
FIG. 5 is a left side elevation view thereof.
FIG. 6 is a right side elevation view thereof.
FIG. 7 is a top plan view thereof; and,
FIG. 8 is a bottom plan view thereof.
The broken lines shown in the drawings are included for the purpose of illustrating portions of the barbecue thermometer that form no part of the claimed design.

1 Claim, 8 Drawing Sheets



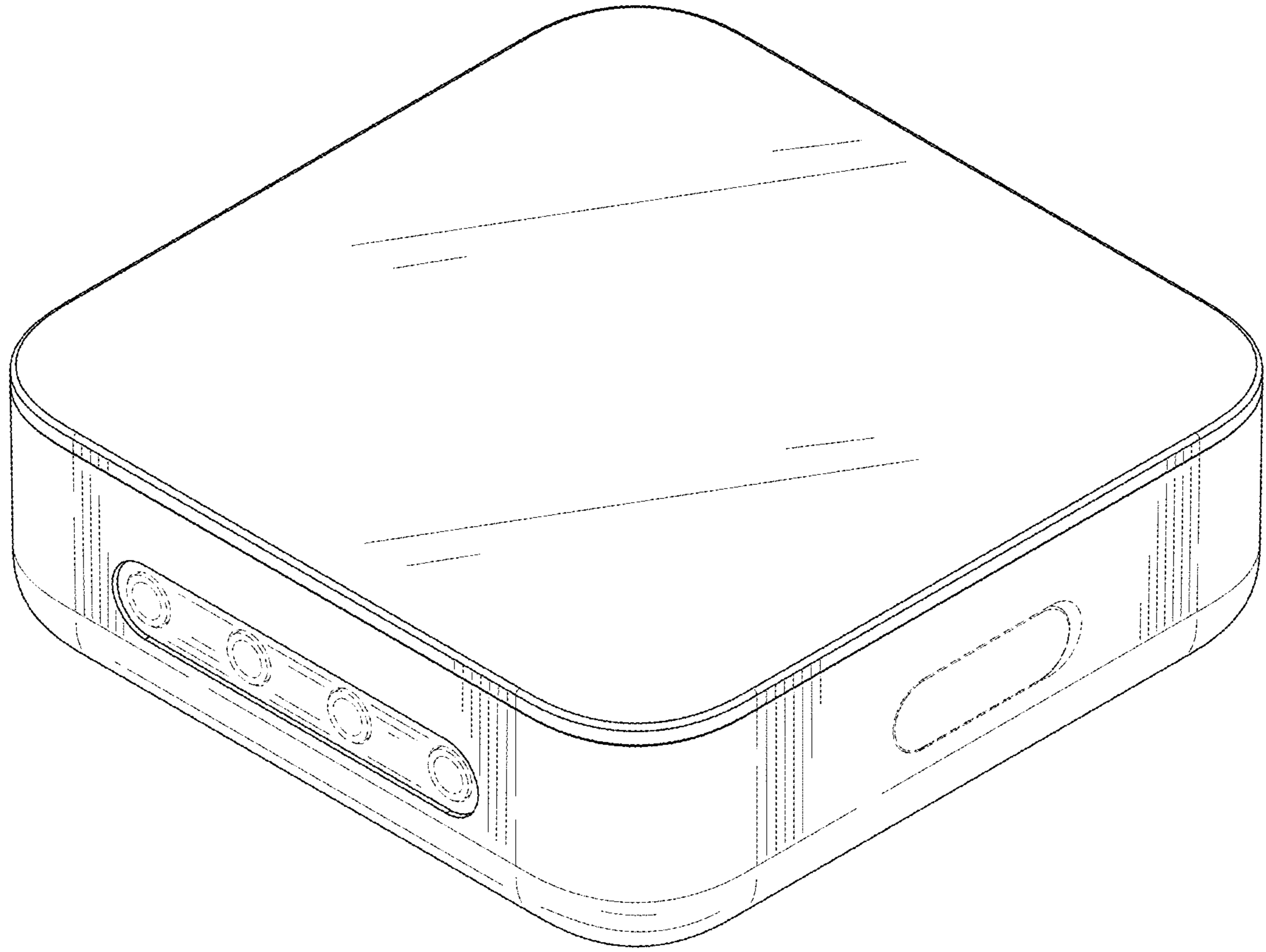


FIG. 1

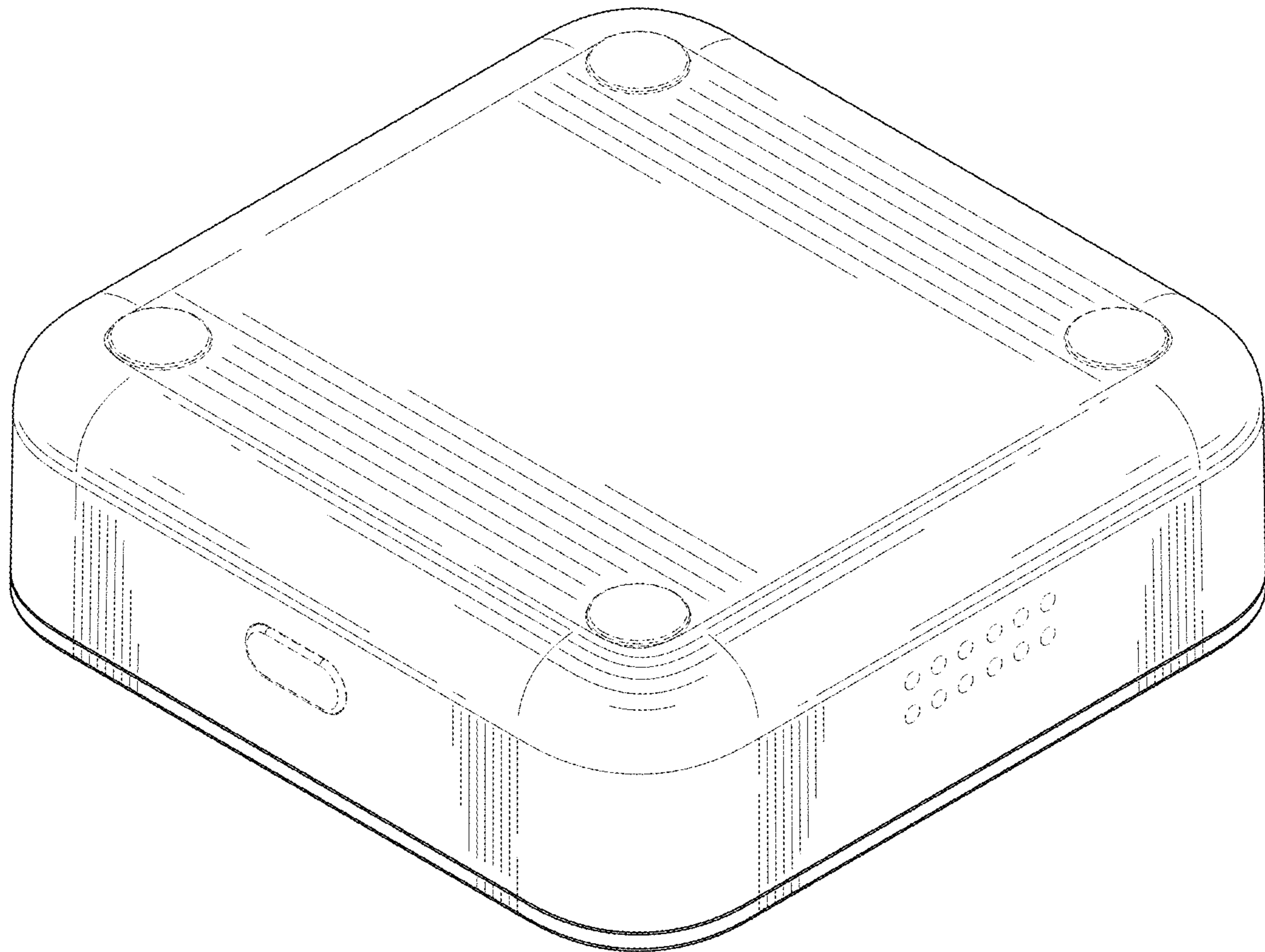


FIG. 2

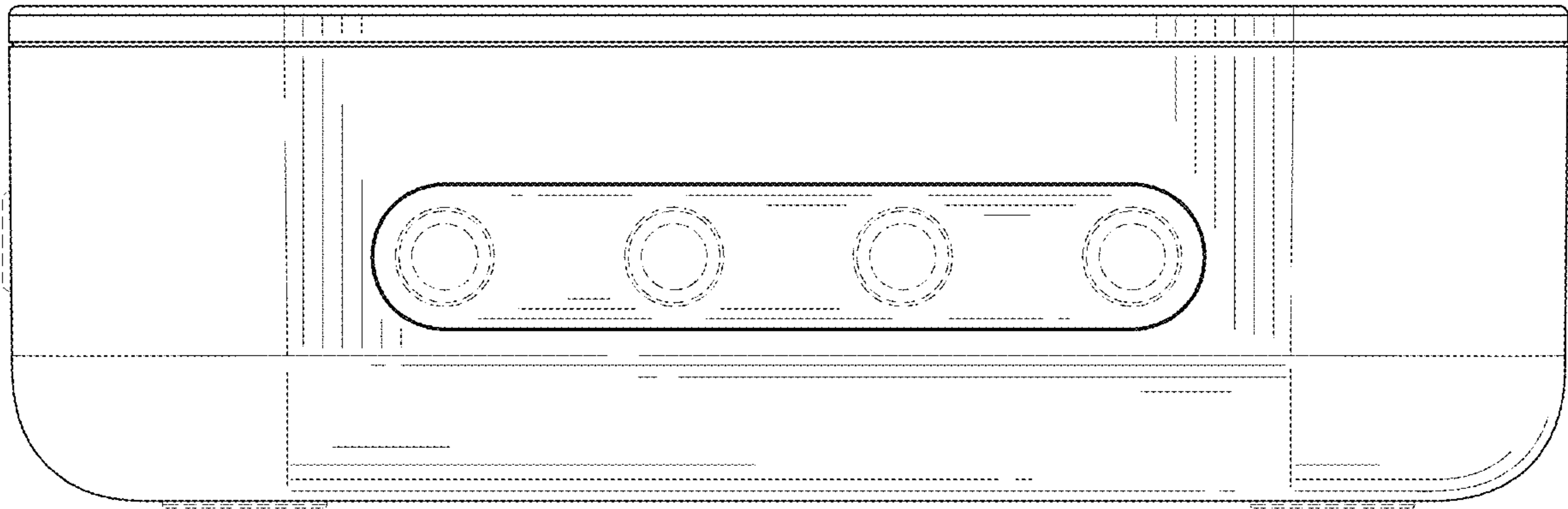


FIG. 3

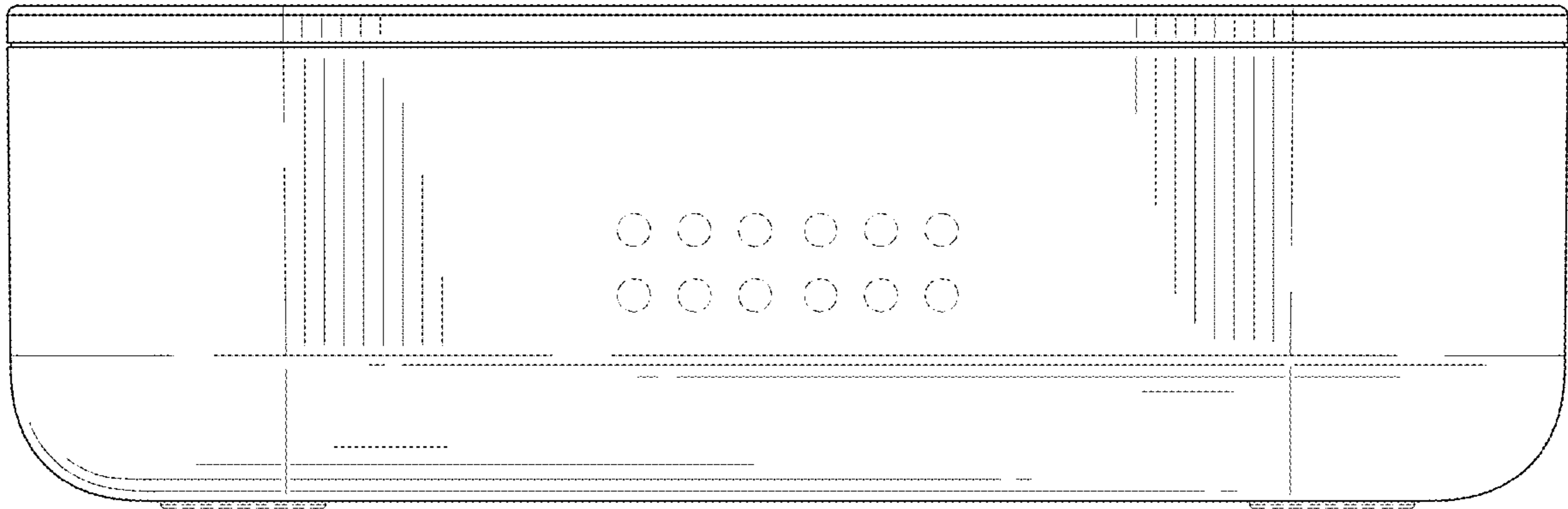


FIG. 4

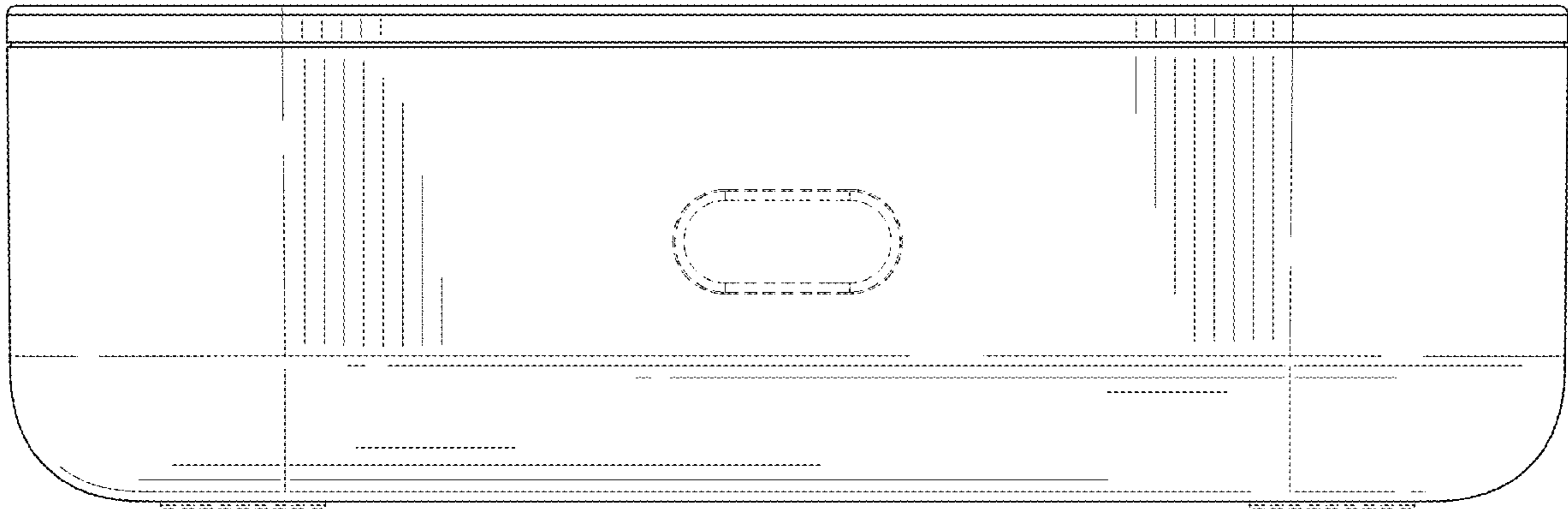


FIG. 5

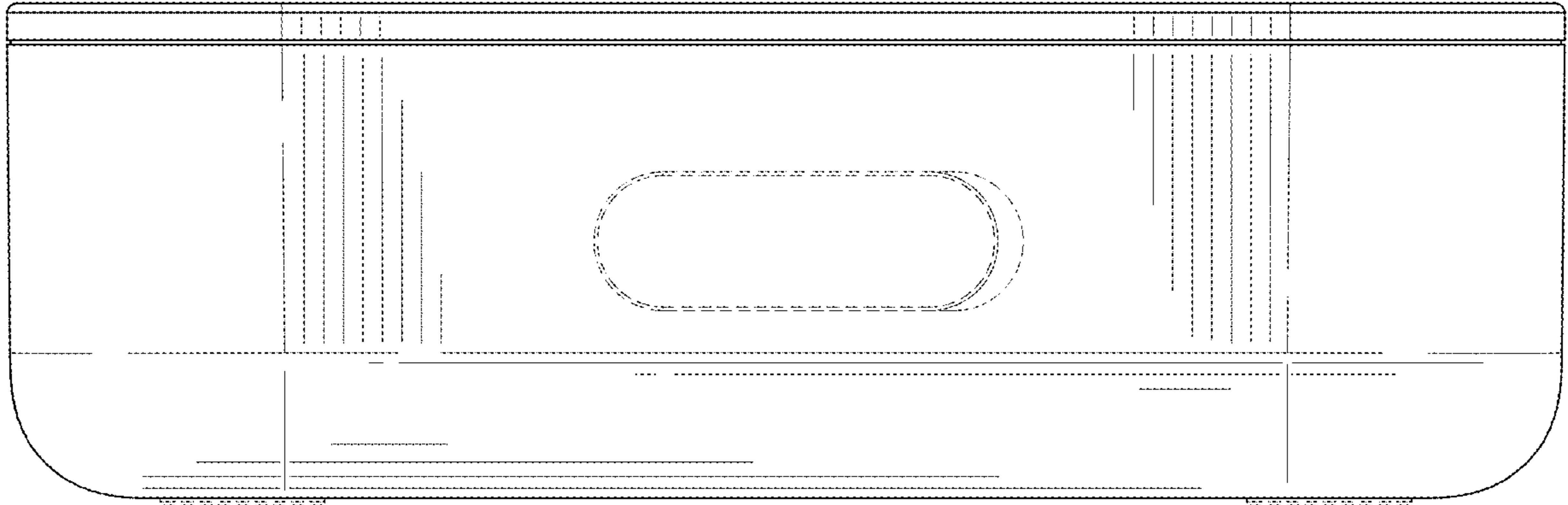


FIG. 6

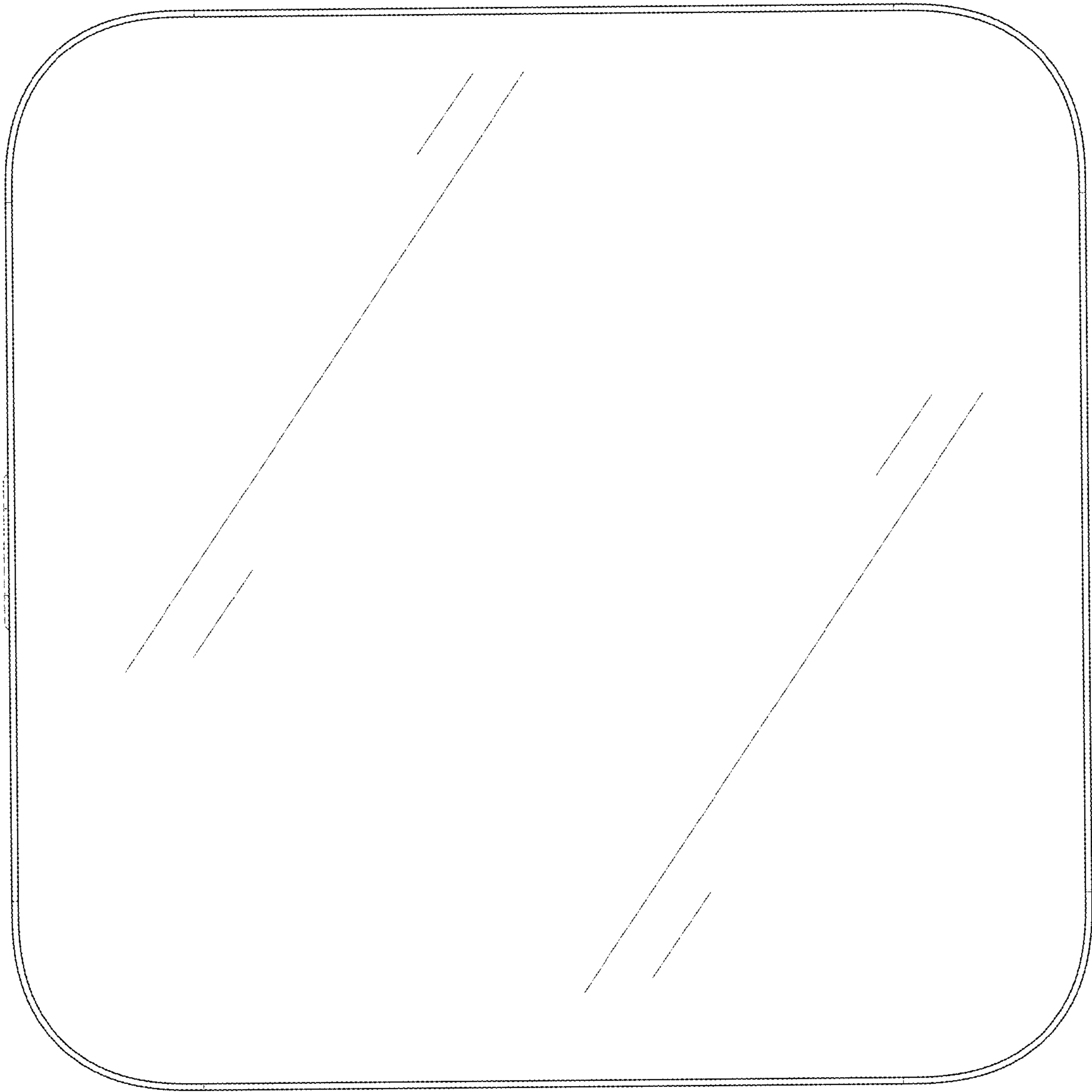


FIG. 7

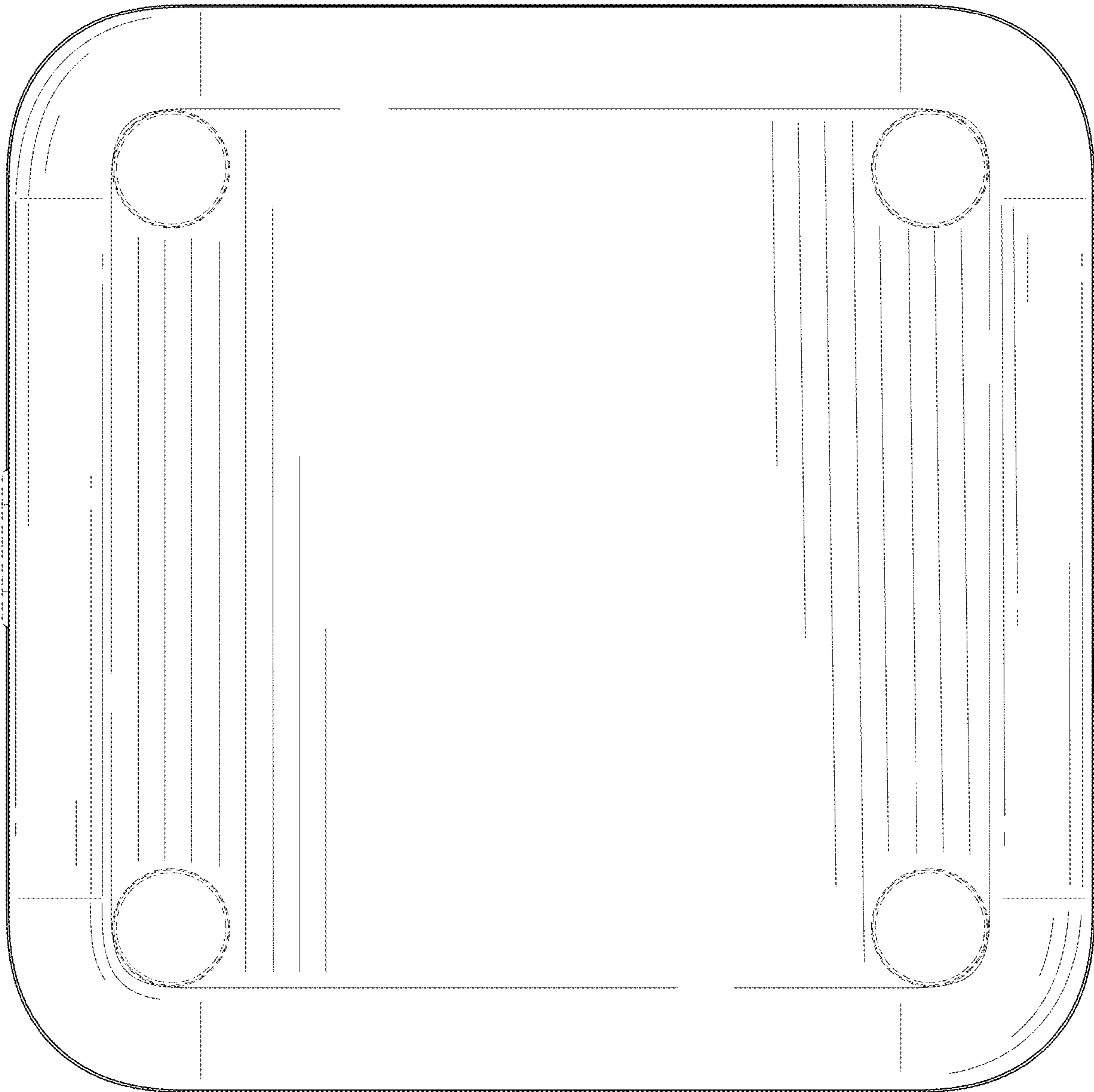


FIG. 8