



US00D984906S

(12) **United States Design Patent**
Wu

(10) **Patent No.:** **US D984,906 S**
(45) **Date of Patent:** **** May 2, 2023**

- (54) **TEMPERATURE MEASURING INSTRUMENT**
- (71) Applicant: **Feng Wu**, Wenchang (CN)
- (72) Inventor: **Feng Wu**, Wenchang (CN)
- (**) Term: **15 Years**
- (21) Appl. No.: **29/785,427**
- (22) Filed: **May 25, 2021**
- (51) **LOC (14) Cl.** **10-04**
- (52) **U.S. Cl.**
USPC **D10/57**
- (58) **Field of Classification Search**
USPC D10/57
CPC G01K 1/08; G01K 13/20; G01K 13/223;
G01K 13/25; G01K 13/252; G01K 1/083;
G01K 1/18; G01K 13/002; G01J 5/04;
G01J 5/041; G01J 5/042; G01J 5/043;
G01J 5/044; G01J 5/045; G01J 5/046;
G01J 5/047; G01J 5/048; G01J 5/049;
G01J 5/0265
See application file for complete search history.

- D916,606 S * 4/2021 Ying D10/57
- D917,314 S * 4/2021 Wu D10/57
- D919,457 S * 5/2021 Dai D10/57
- D919,458 S * 5/2021 Dai D10/57
- D920,141 S * 5/2021 Zhou D10/57
- D945,892 S * 3/2022 Fang D10/57
- D949,029 S * 4/2022 Xie D10/57
- D949,716 S * 4/2022 Huang D10/57
- D949,717 S * 4/2022 Hu D10/57
- D951,782 S * 5/2022 Yu D10/57
- D953,895 S * 6/2022 Dai G01K 7/02
D10/57
- D955,234 S * 6/2022 Zuo D10/57
- D961,416 S * 8/2022 Wu D10/57
- D964,186 S * 9/2022 Zou D10/57
- 2019/0049313 A1 * 2/2019 Keller G01K 7/02

FOREIGN PATENT DOCUMENTS

- CN 212721838 U * 3/2021 B67B 7/16
- * cited by examiner

Primary Examiner — Antoine Duval Davis

(57) **CLAIM**

The ornamental design for a temperature measuring instrument, as shown and described.

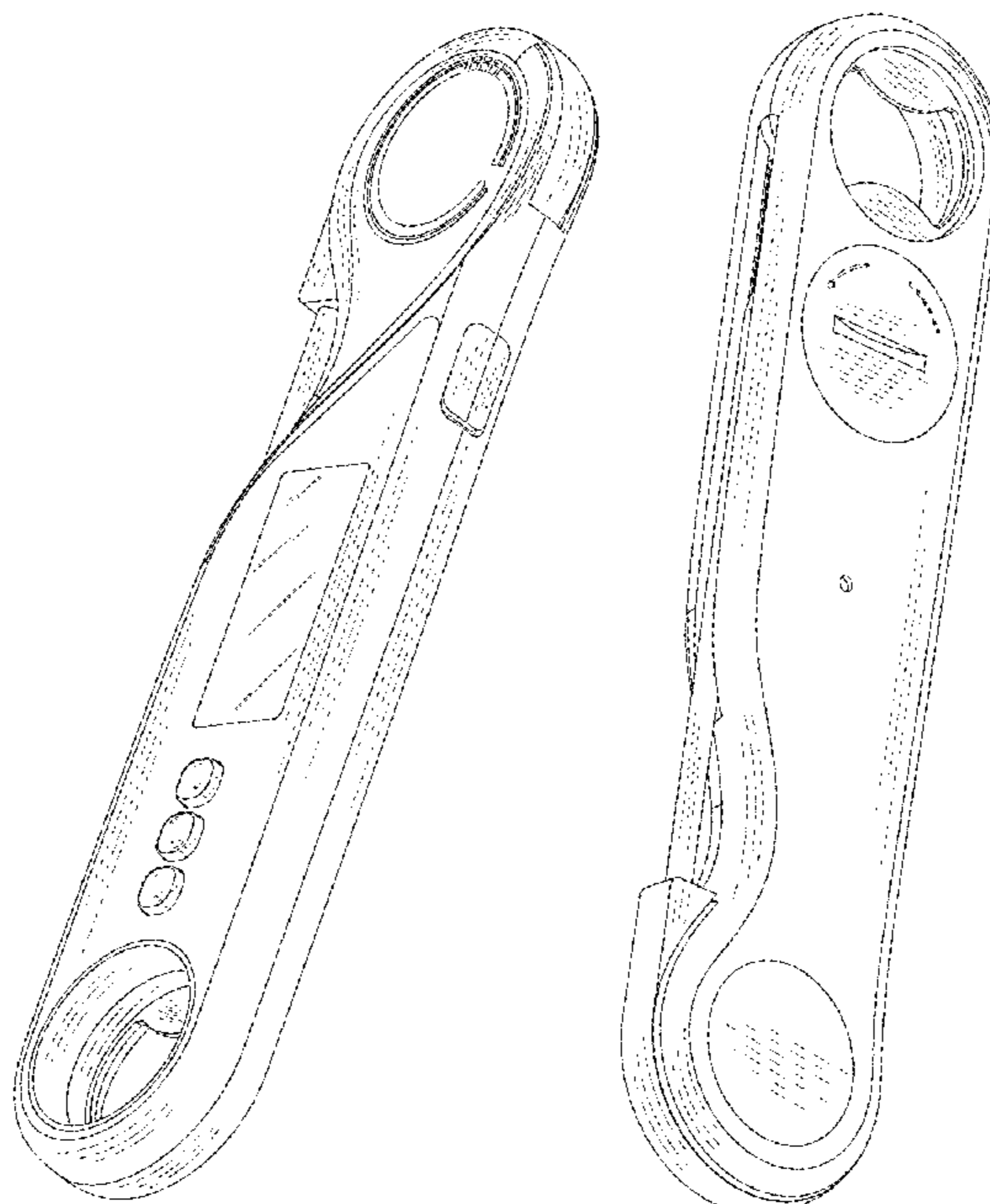
DESCRIPTION

FIG. 1 is a front perspective view of a temperature measuring instrument showing my new design;
FIG. 2 is a front elevation view thereof;
FIG. 3 is a rear elevation view thereof;
FIG. 4 is a left side elevation view thereof;
FIG. 5 is a right side elevation view thereof;
FIG. 6 is a top plan view thereof;
FIG. 7 is a bottom plan view thereof; and,
FIG. 8 is a rear perspective view thereof.

1 Claim, 8 Drawing Sheets

(56) **References Cited**
U.S. PATENT DOCUMENTS

- D837,668 S * 1/2019 Zou D10/57
- D849,571 S * 5/2019 Yu D10/57
- D852,653 S * 7/2019 Zou D10/57
- D852,654 S * 7/2019 Zou D10/57
- D853,253 S * 7/2019 Zuo D10/57
- D858,320 S * 9/2019 Wang D10/57
- D884,496 S * 5/2020 Zhang D10/57
- D888,590 S * 6/2020 Wang D10/57
- D898,593 S * 10/2020 Peng D10/57
- D904,907 S * 12/2020 Peng D10/57
- D910,468 S * 2/2021 Liu D10/57



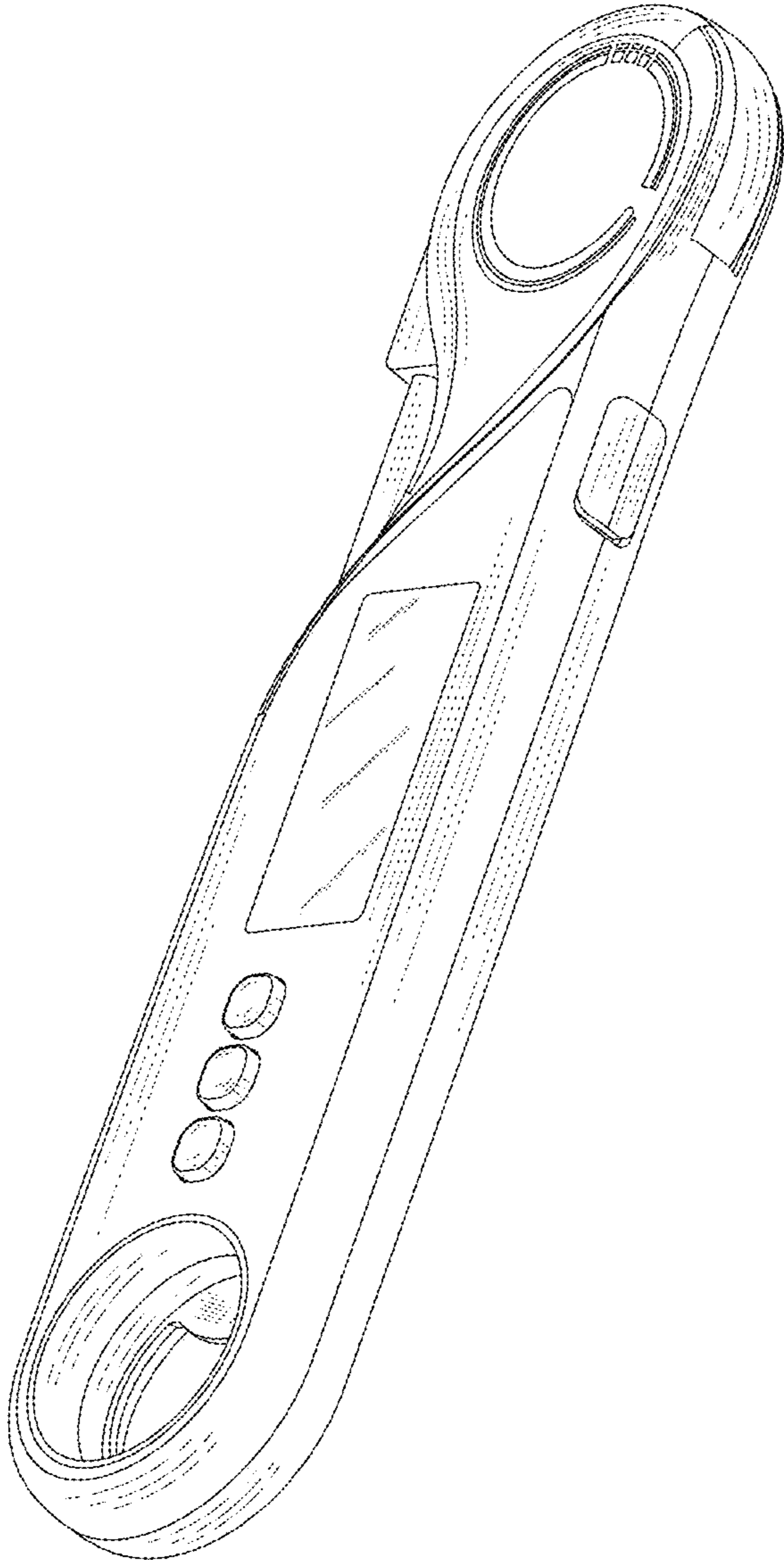


FIG. 1

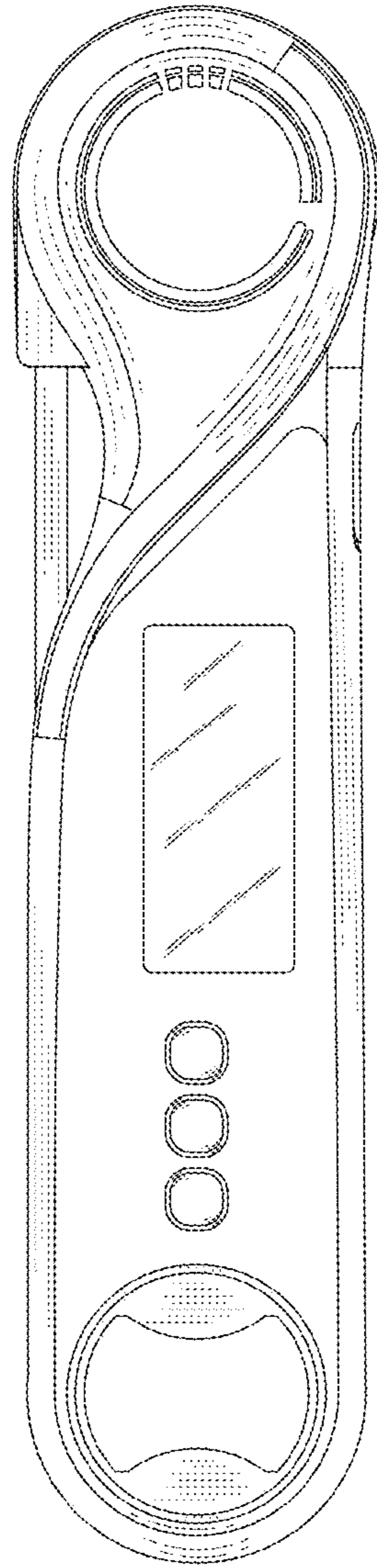


FIG. 2

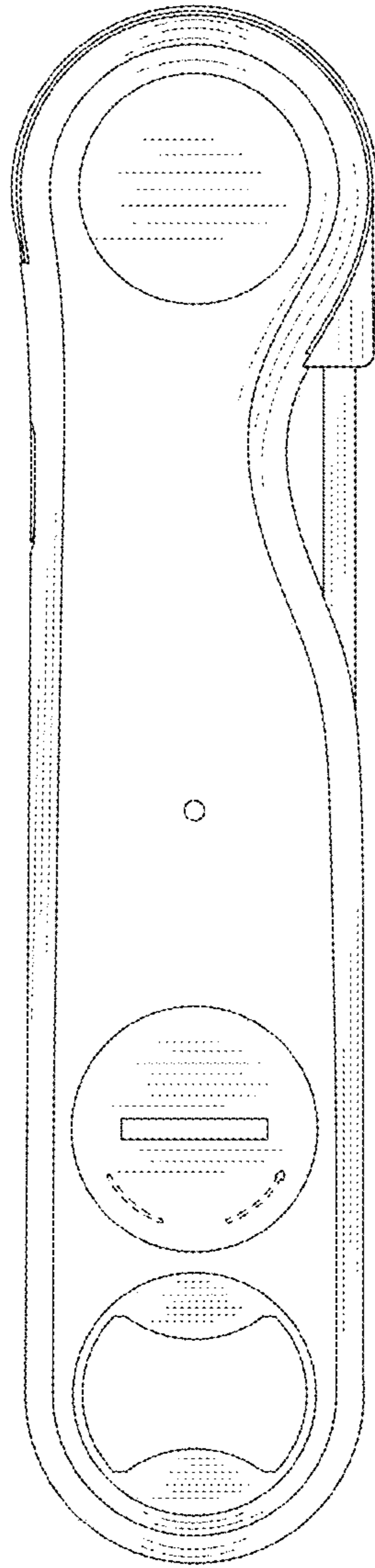


FIG. 3

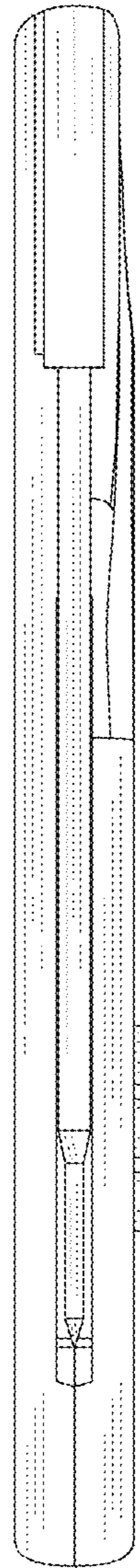


FIG. 4

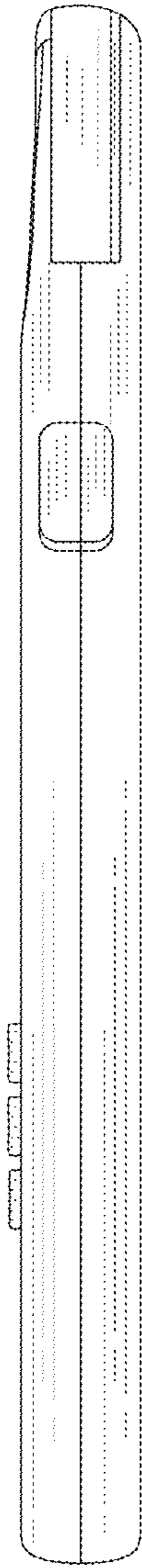


FIG. 5

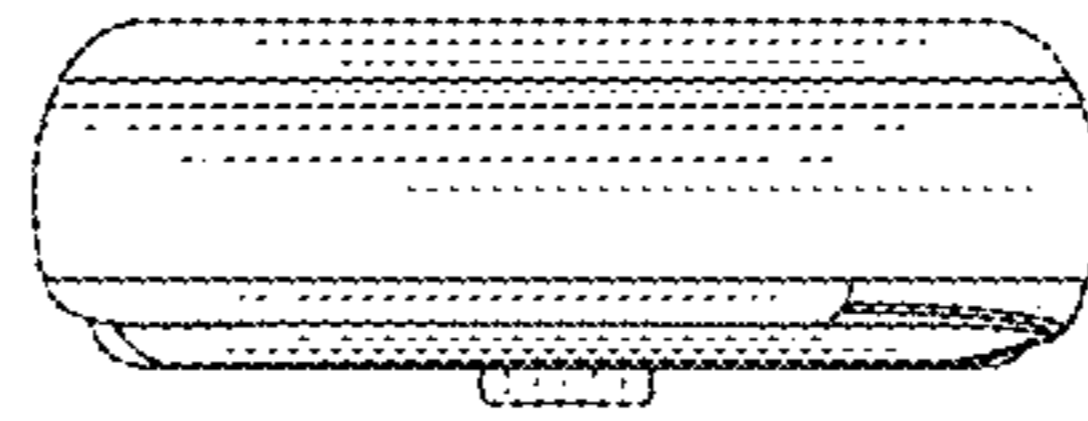


FIG. 6

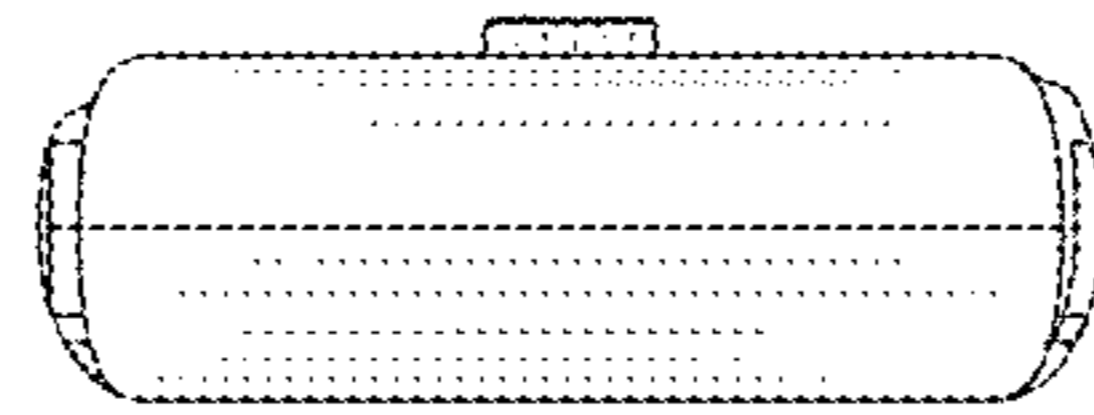


FIG. 7

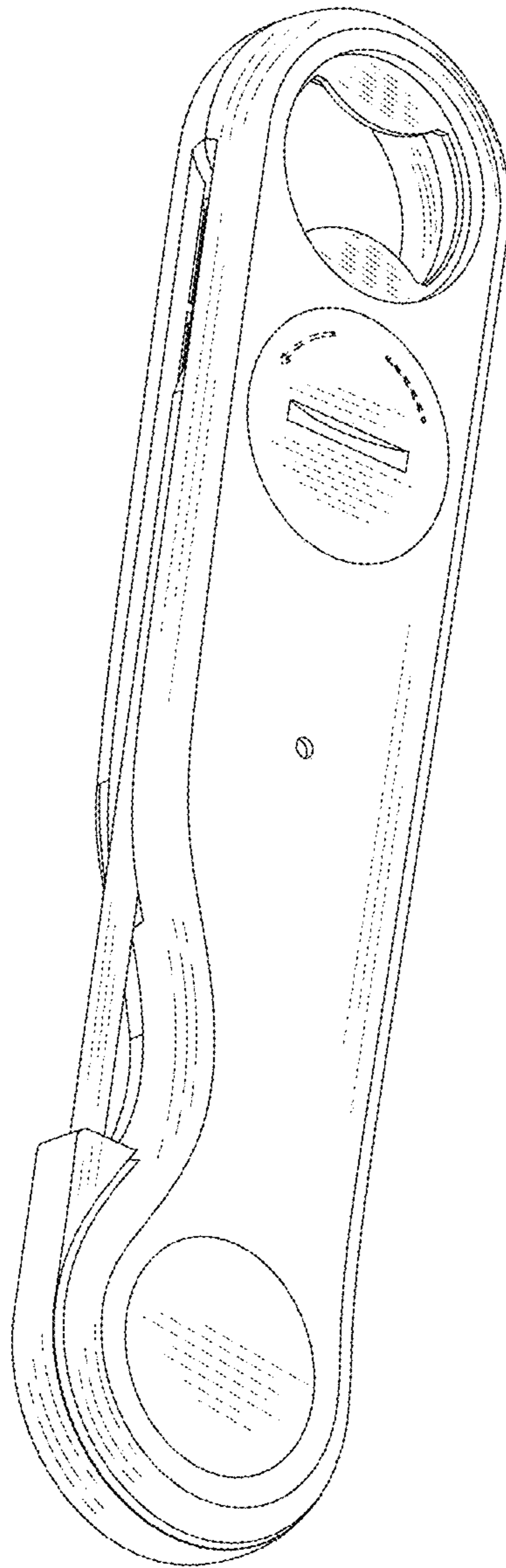


FIG. 8