

US00D984904S

(12) **United States Design Patent** (10) **Patent No.:** **US D984,904 S**
Gan et al. (45) **Date of Patent:** **** May 2, 2023**

(54) **SILICONE SLEEVE FOR A CONTAINER** 6,029,847 A * 2/2000 Mahoney, Jr. A45C 11/20
220/592.24
(71) Applicants: **Shenzhen Sanhetongchuang** D618,065 S * 6/2010 Joy D7/624.2
Intelligent Technology Co., Ltd., D629,259 S * 12/2010 Joy D7/624.2
Shenzhen (CN); **Fei Gan**, Guangdong D637,917 S * 5/2011 Deitelbaum D9/667
(CN); **Hua Jiang**, Guangdong (CN) D643,689 S * 8/2011 Selina D7/624.2
D709,736 S * 7/2014 Gooding D7/622
D756,707 S * 5/2016 Hsu D7/521
(72) Inventors: **Fei Gan**, Guangdong (CN); **Hua Jiang**, D771,963 S * 11/2016 Patel D6/352
Guangdong (CN) D772,656 S * 11/2016 Joy D7/624.2
(Continued)

(73) Assignees: **Shenzhen Sanhetongchuang**
Intelligent Technology Co., Ltd.,
Shenzhen (CN); **Fei Gan**, Guangdong
(CN); **Hua Jiang**, Guangdong (CN)

FOREIGN PATENT DOCUMENTS
CA 162489 * 1/2016

(**) Term: **15 Years**

OTHER PUBLICATIONS
SHTCSZBA Silicone Sleeve Holder, posted at Amazon.com on Jul.
9, 2022, [site visited Feb. 6, 2023]. Available from internet, URL:
<<https://www.amazon.com/SHTCSZBA-Silicone-Tumblers-Tumbler-Corkcicle/dp/B0B65V24NS?th=1>> (Year: 2022).*

(21) Appl. No.: **29/845,162**

(22) Filed: **Jul. 5, 2022**

(51) **LOC (14) Cl.** **09-05**

(52) **U.S. Cl.**
USPC **D9/711**

(58) **Field of Classification Search**
USPC D9/434, 435, 436, 437, 438, 439, 440,
D9/441, 442, 444, 446, 447, 451, 452,
D9/453, 454, 711; D3/202, 229;
D7/387, 393, 396.1, 396.2, 397, 398,
D7/619.1, 622, 624.1, 624.2, 701
CPC A45C 2200/20; A45F 3/16; A45F 5/00;
A45F 5/02; A47G 23/02; A47G 23/0208;
A47G 23/0216; A47G 23/0241; A47G
23/0266; A47G 23/0275; A47G 23/0283;
A47G 23/0291

See application file for complete search history.

(56) **References Cited**

U.S. PATENT DOCUMENTS

D378,335 S * 3/1997 Liebling D7/622
6,019,245 A * 2/2000 Foster B65D 81/3881
220/592.24

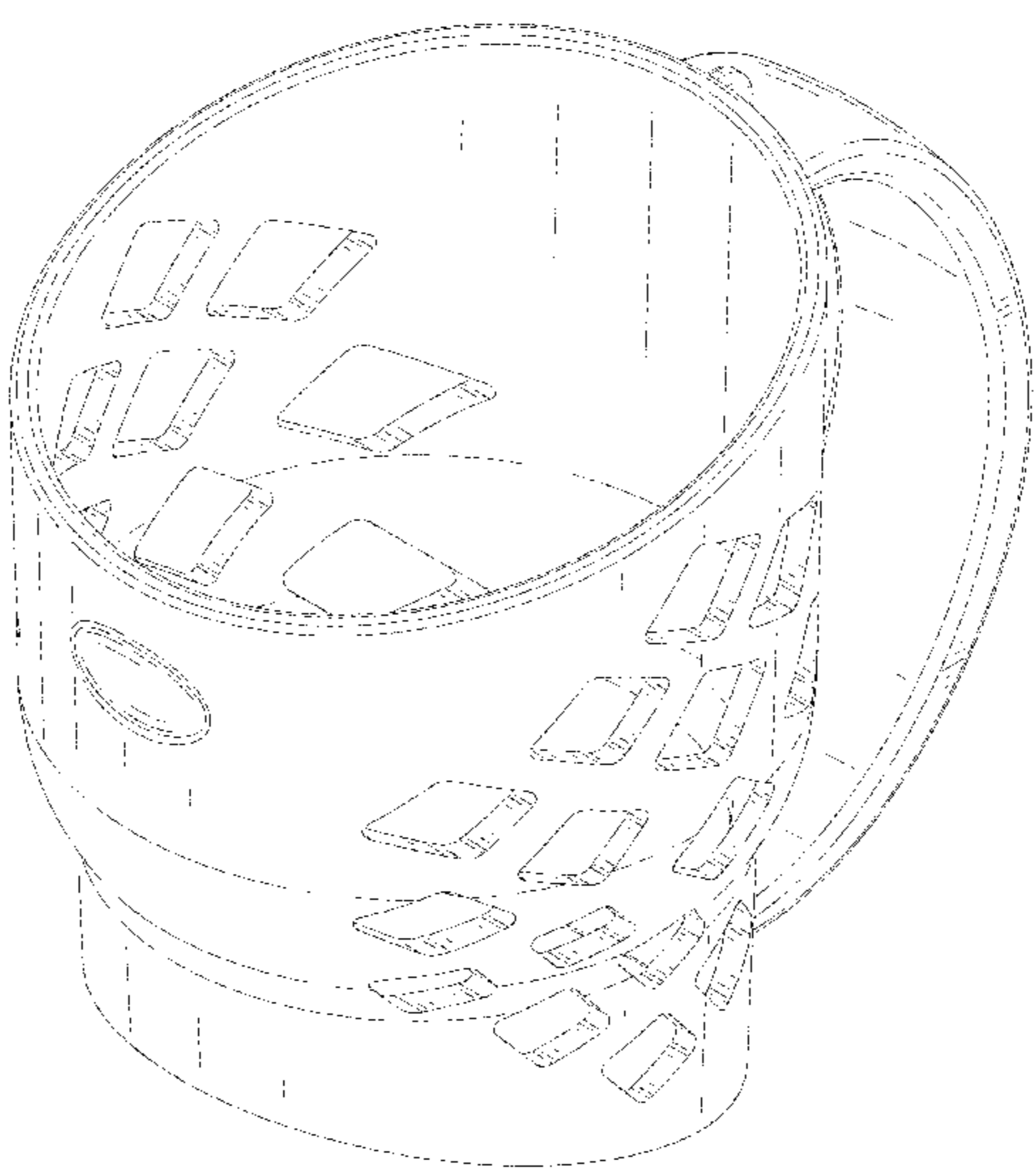
Primary Examiner — Andrew Kerr
Assistant Examiner — Chariton Alexakis
(74) *Attorney, Agent, or Firm* — ScienBiziP, P.C.

(57) **CLAIM**
The ornamental design for a silicone sleeve for a container,
as shown and described.

DESCRIPTION

FIG. 1 is a front, right and top perspective view of a silicone sleeve for a container, showing our design.
FIG. 2 is a rear, left and bottom perspective view thereof.
FIG. 3 is a front elevation view thereof.
FIG. 4 is a rear elevation view thereof.
FIG. 5 is a left side elevation view thereof.
FIG. 6 is a right side elevation view thereof.
FIG. 7 is a top plan view thereof; and,
FIG. 8 is a bottom plan view thereof.

1 Claim, 8 Drawing Sheets



(56)

References Cited

U.S. PATENT DOCUMENTS

D775,897	S *	1/2017	Knox	D7/532
D781,113	S *	3/2017	Kocsis	D7/624.2
D830,786	S	10/2018	Miller		
D848,799	S	5/2019	Appelbaum		
D874,879	S *	2/2020	Hughes	D7/622
D885,847	S *	6/2020	Laustsen	D7/624.2
D899,862	S *	10/2020	Rane	D7/532
D900,601	S *	11/2020	Chen	D9/430
D900,671	S *	11/2020	Saporiti	D11/152
D906,055	S *	12/2020	McCabe	D7/624.2
D929,193	S *	8/2021	McGinnis	D7/624.2
D932,311	S *	10/2021	Manderfield	B65D 81/3881
					D9/558
D932,318	S *	10/2021	Chen	A45C 11/20
					D9/711
D939,287	S *	12/2021	Vazquez	B65D 3/22
					D7/624.2
2007/0215626	A1 *	9/2007	Wright, Jr.	B65D 3/22
					220/737

OTHER PUBLICATIONS

REUZBL Silicone Sleeve with Handle, posted at Amazon.com on Aug. 2, 2019, [site visited Feb. 9, 2019]. Available from internet, URL: <<https://www.amazon.ca/REUZBL-Rambler-Tumbler-Silicone-Seafoam/dp/B07VD2KB73?th=1>> (Year: 2019).*

Gangster Armor Grip, posted at Amazon.com on Jan. 21, 2021, [site visited Feb. 9, 2023]. Available from internet, URL: <<https://www.amazon.com/Gangster-Simple-Tumbler-silicone-sleeve/dp/B089CG11P4/>> (Year: 2021).*

* cited by examiner



FIG. 1

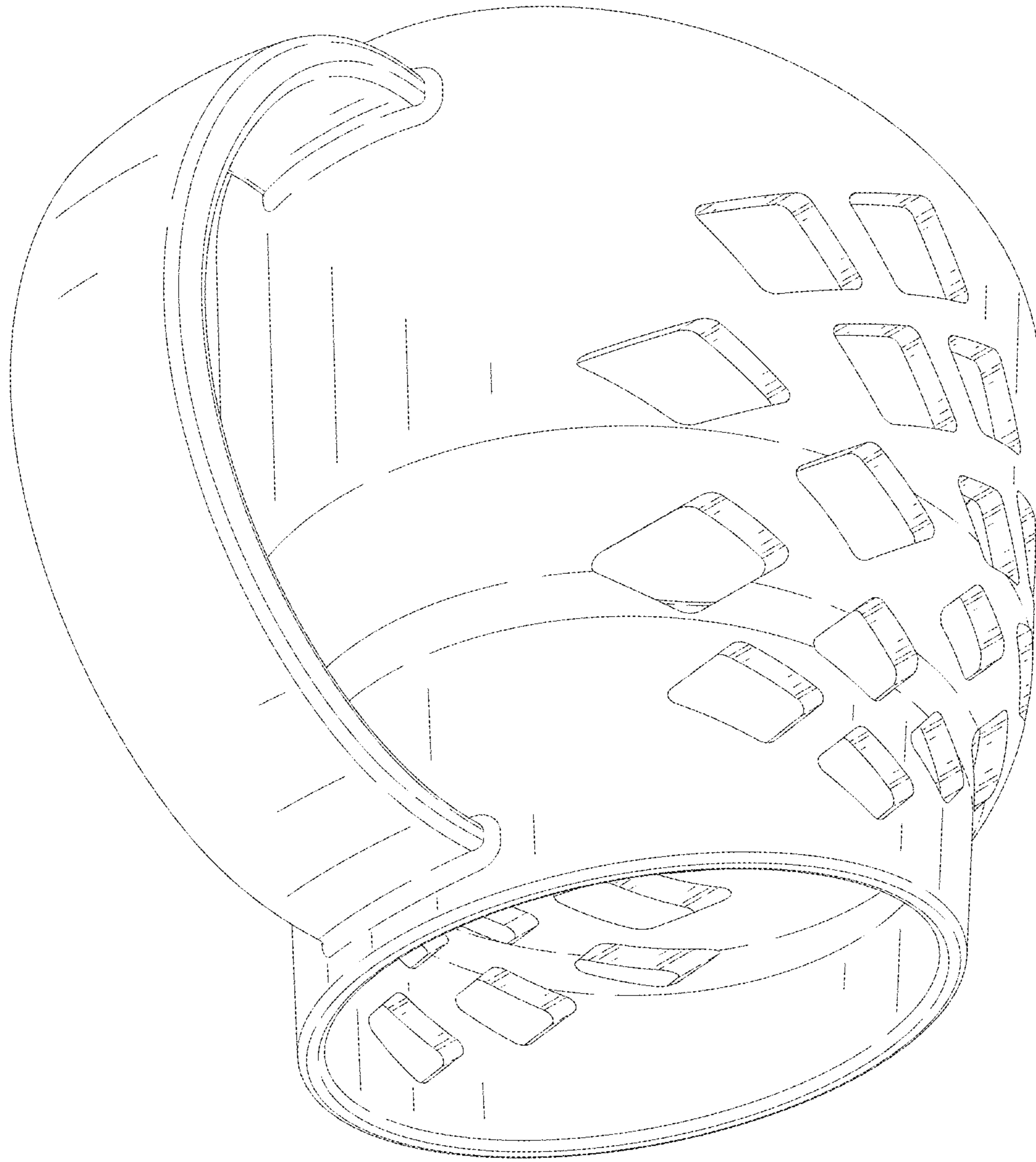


FIG. 2

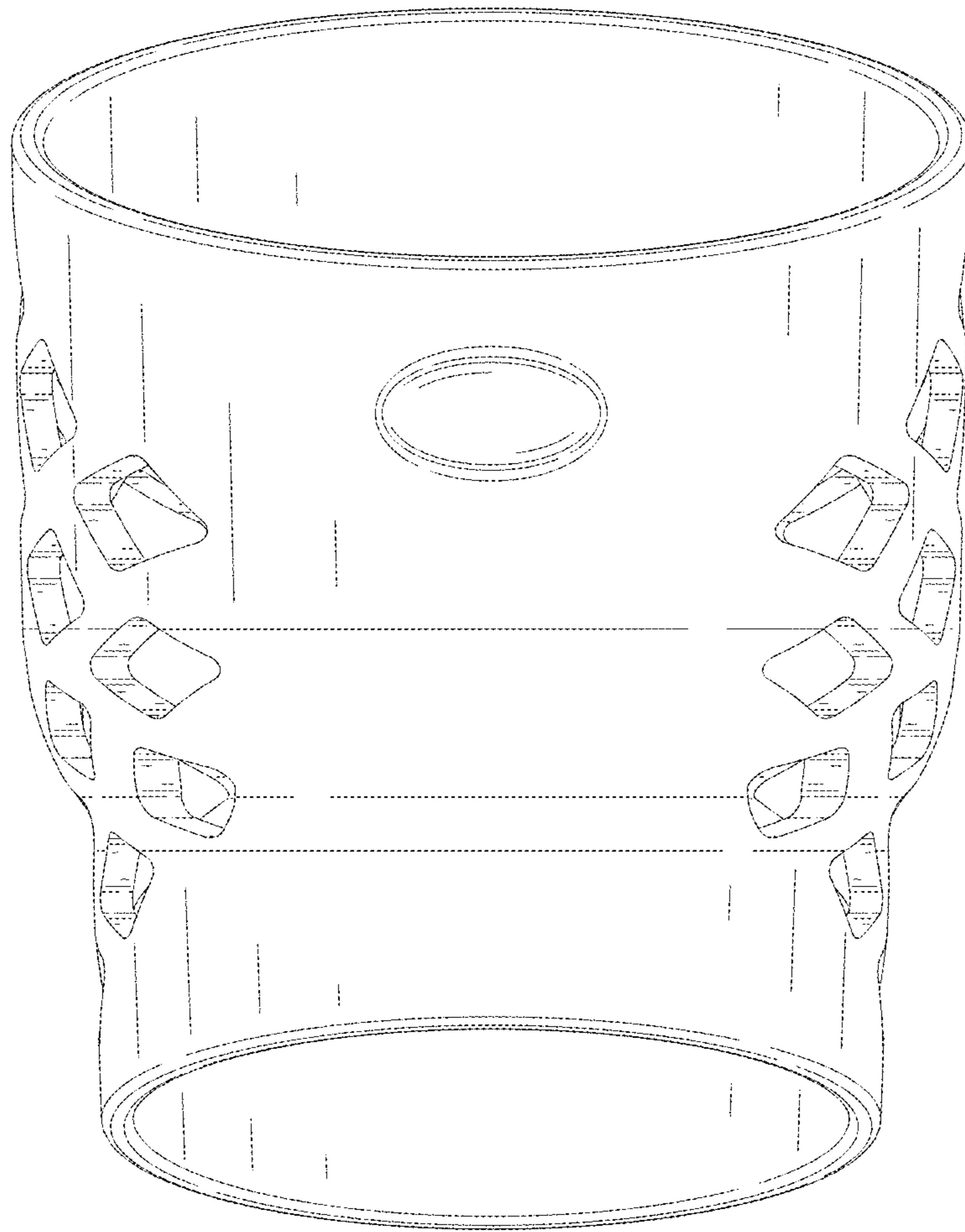


FIG. 3

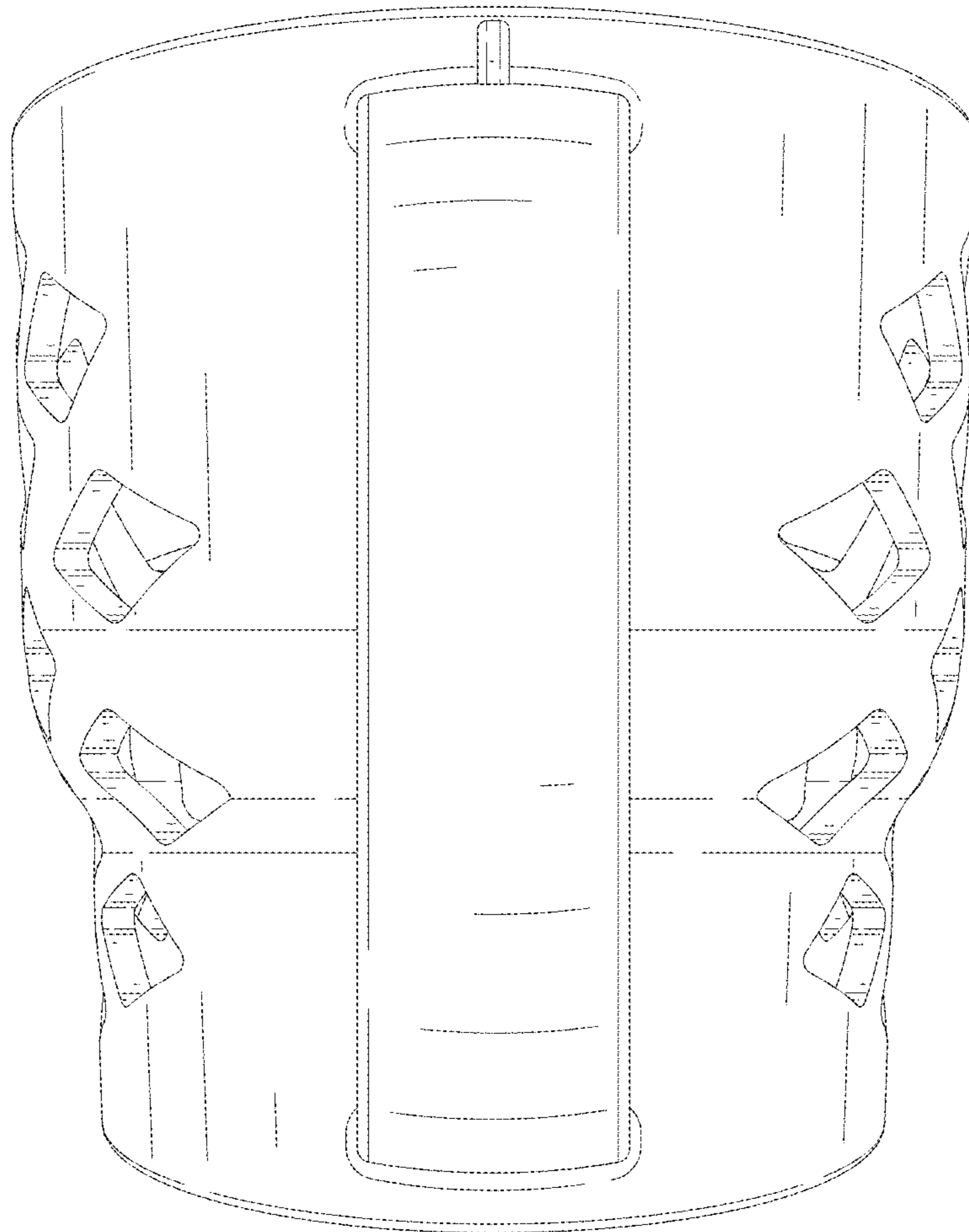


FIG. 4

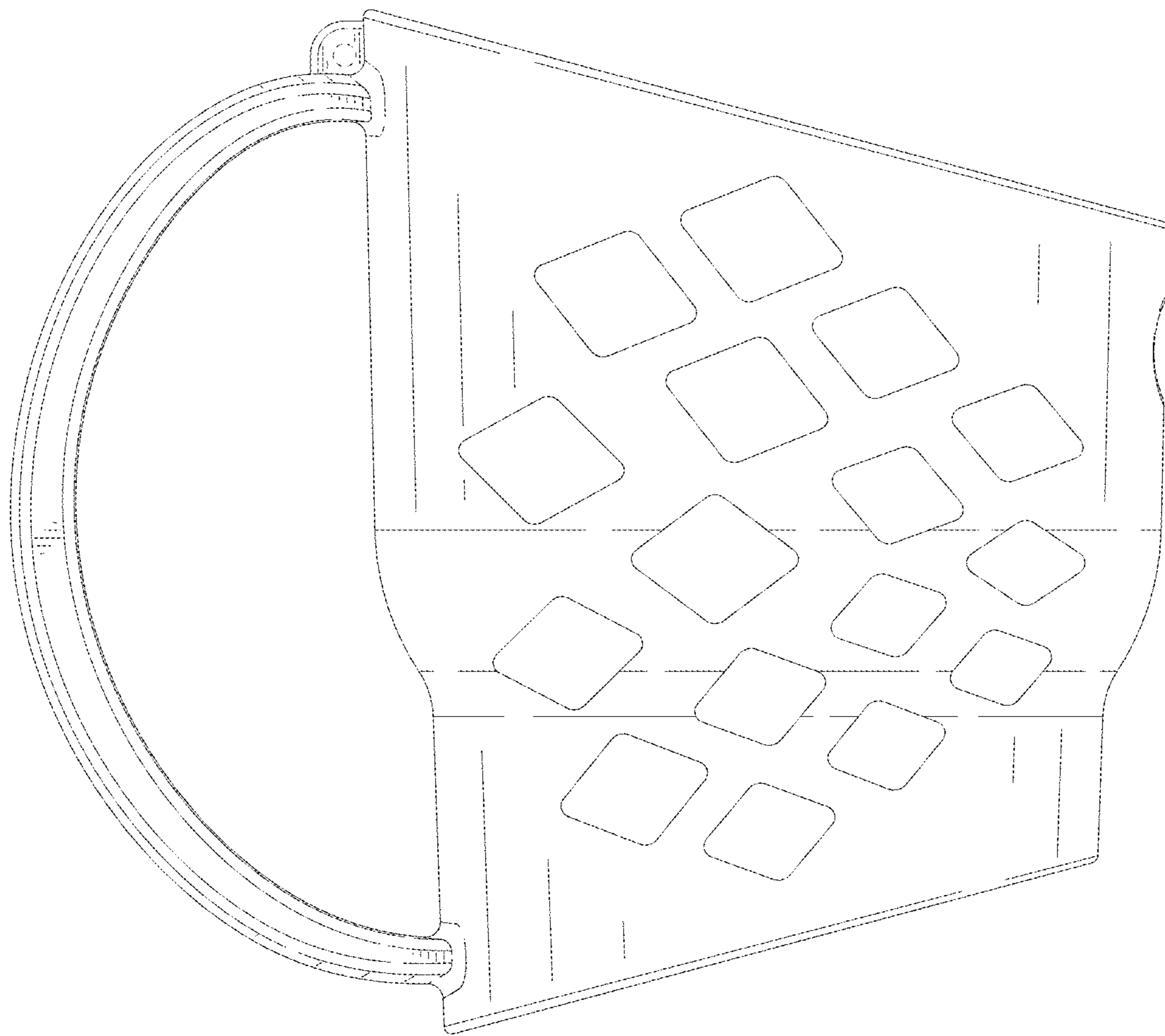


FIG. 5

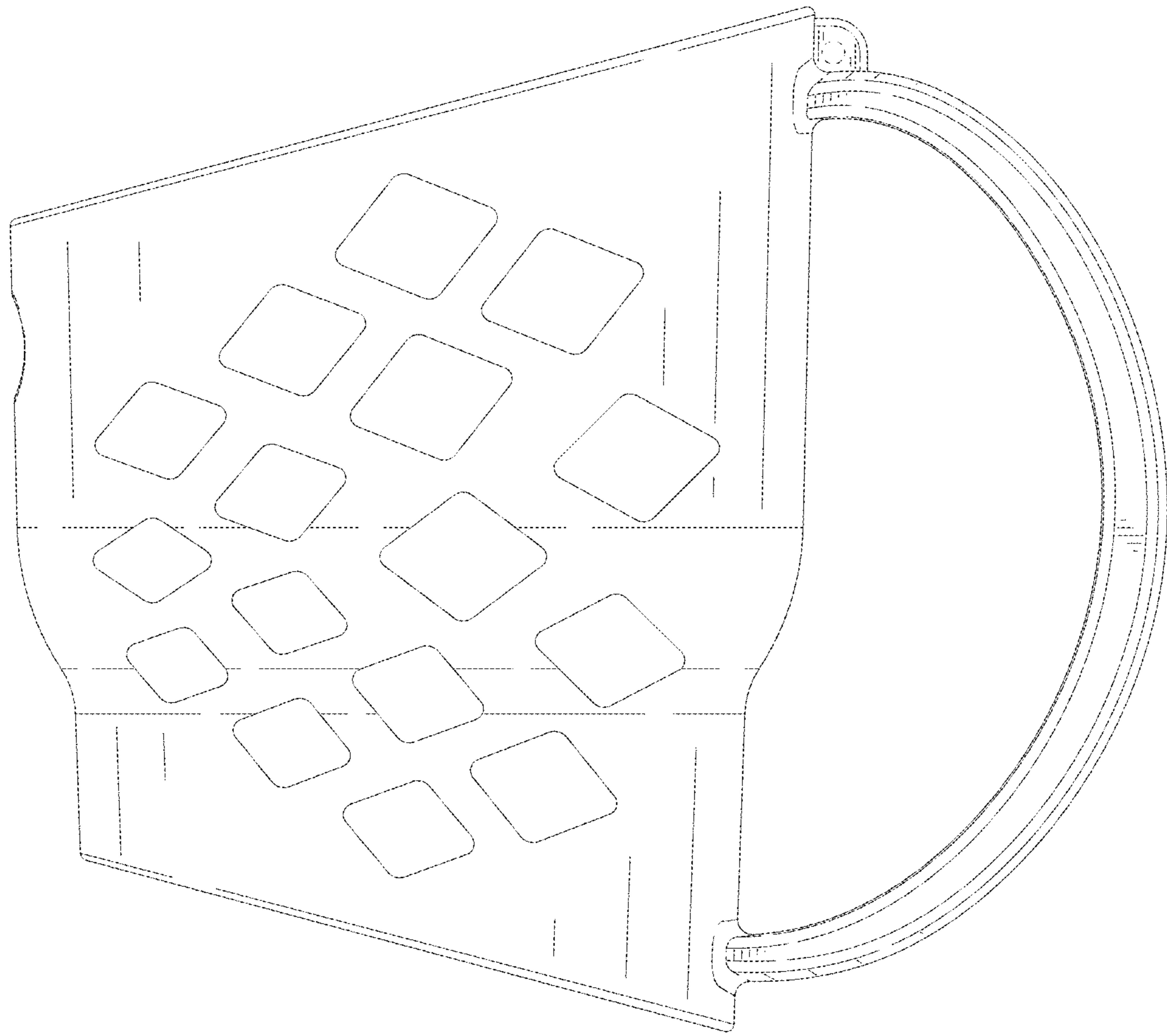


FIG. 6

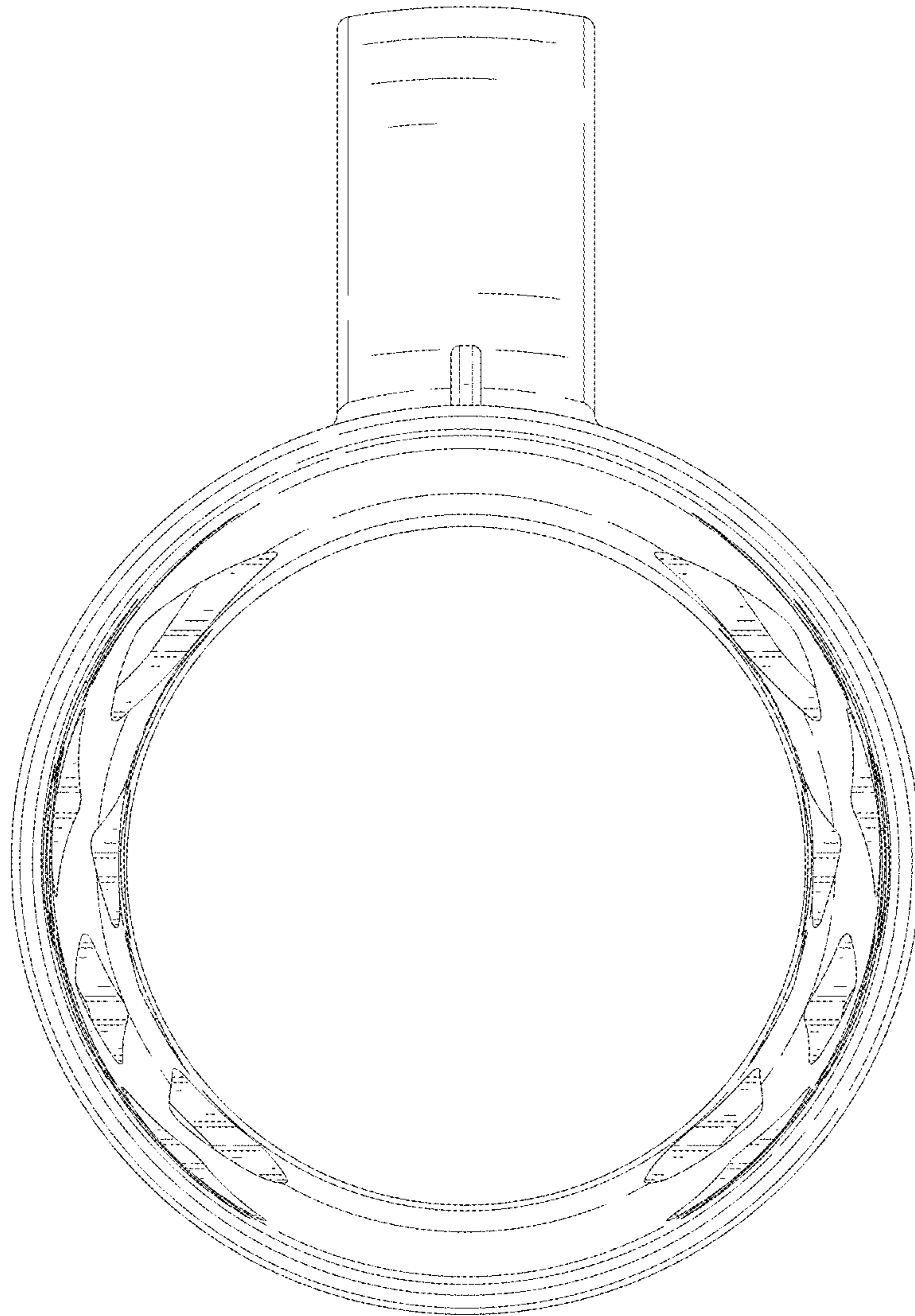


FIG. 7

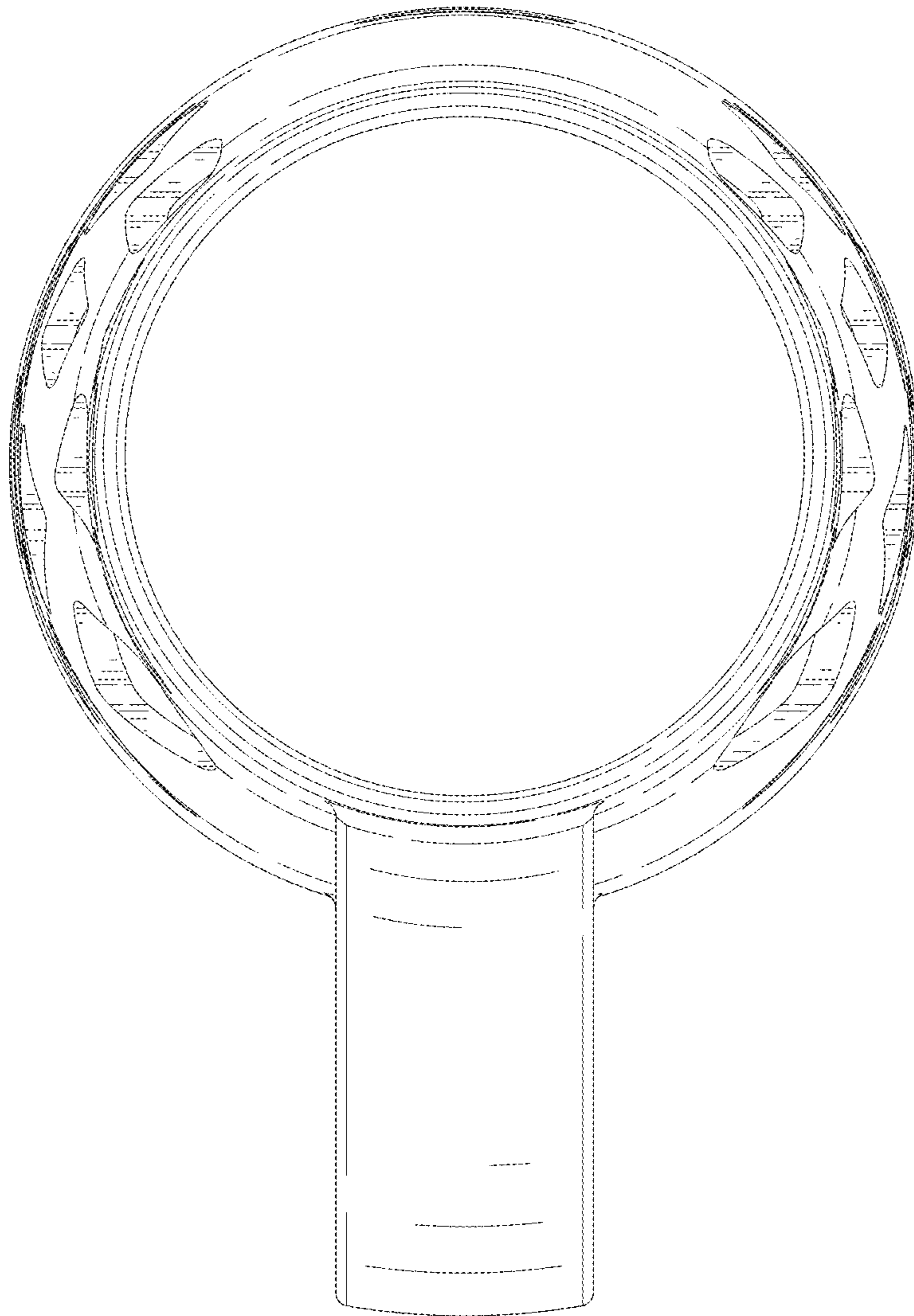


FIG. 8