



US00D984901S

(12) **United States Design Patent** (10) **Patent No.:** **US D984,901 S**  
**Liu** (45) **Date of Patent:** **\*\* May 2, 2023**

(54) **STORAGE BAG**

(56) **References Cited**

(71) Applicant: **Foshan Yunbigao Technology Co., Ltd.**, Guangdong (CN)

U.S. PATENT DOCUMENTS

(72) Inventor: **Junbo Liu**, Guangdong (CN)

D297,413 S *	8/1988	Cantrell, Sr. ....	D9/414
D472,139 S *	3/2003	Rizzuto, Jr. ....	D9/709
D482,966 S *	12/2003	Booth .....	D9/709
D710,212 S *	8/2014	Coleman .....	D9/709
D715,158 S *	10/2014	Chen .....	D9/707
D874,150 S *	2/2020	Liu .....	D9/702
D876,239 S *	2/2020	Yu .....	D9/709

(73) Assignee: **Foshan Yunbigao Technology Co., Ltd.**, Guangdong (CN)

(\*\*) Term: **15 Years**

\* cited by examiner

(21) Appl. No.: **29/817,245**

*Primary Examiner* — Abraham Bahta

(22) Filed: **Nov. 30, 2021**

(74) *Attorney, Agent, or Firm* — ScienBiziP, P.C.

(51) **LOC (14) Cl.** ..... **09-05**

(57) **CLAIM**

(52) **U.S. Cl.**  
USPC ..... **D9/703**

The ornamental design for a storage bag, as shown and described.

(58) **Field of Classification Search**

**DESCRIPTION**

USPC ..... D9/702–714, 719, 738–740, 517–518, D9/522, 416, 435, 444, 460, 455, 414, D9/499, 431–432, 600, 643–647; D7/560–562; 294/137, 152; 428/34.3; D3/270, 271.1–271.4; D15/122, 132, D15/138, 199; D32/31, 35

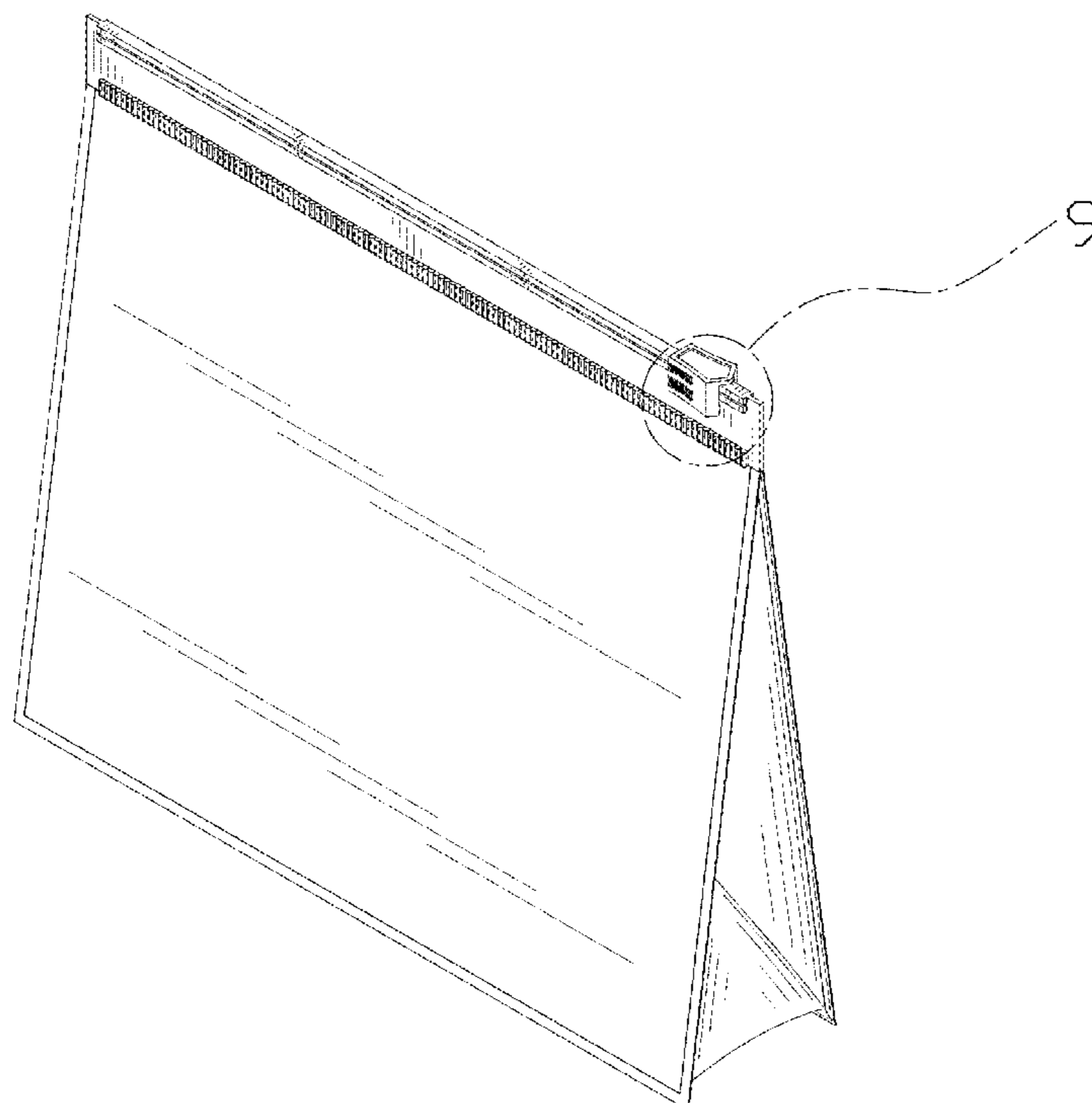
CPC ..... B65D 33/00; B65D 33/06; B65D 33/065; B65D 33/14; B65D 33/1683; B65D 33/12; B65D 33/04; B65D 33/02; B65D 33/01; B65D 31/00; B65D 31/04; B65D 31/10; B65D 5/42; B65D 5/4208; B65D 5/75; B65D 5/64; B65D 81/30; B65D 81/365; B65D 81/366; B65D 81/368; B65D 81/20; B65D 77/04; B65D 77/06; A45C 3/04; A45C 3/10; A63H 81/16; A01G 20/43; B08B 15/002

FIG. 1 is a front, right, and top perspective view of a storage bag, showing my design.  
 FIG. 2 is a rear, left, and bottom perspective view thereof.  
 FIG. 3 is a front elevation view thereof.  
 FIG. 4 is a rear elevation view thereof.  
 FIG. 5 is a left side elevation view thereof.  
 FIG. 6 is a right side elevation view thereof.  
 FIG. 7 is a top plan view thereof.  
 FIG. 8 is a bottom plan view thereof; and,  
 FIG. 9 is a partial enlarged view of an area labeled 9 in FIG. 1 comprising a seal.

The broken lines shown in the drawings are included for the purpose of illustrating portions of the storage bag that form no part of the claimed design.

See application file for complete search history.

**1 Claim, 9 Drawing Sheets**



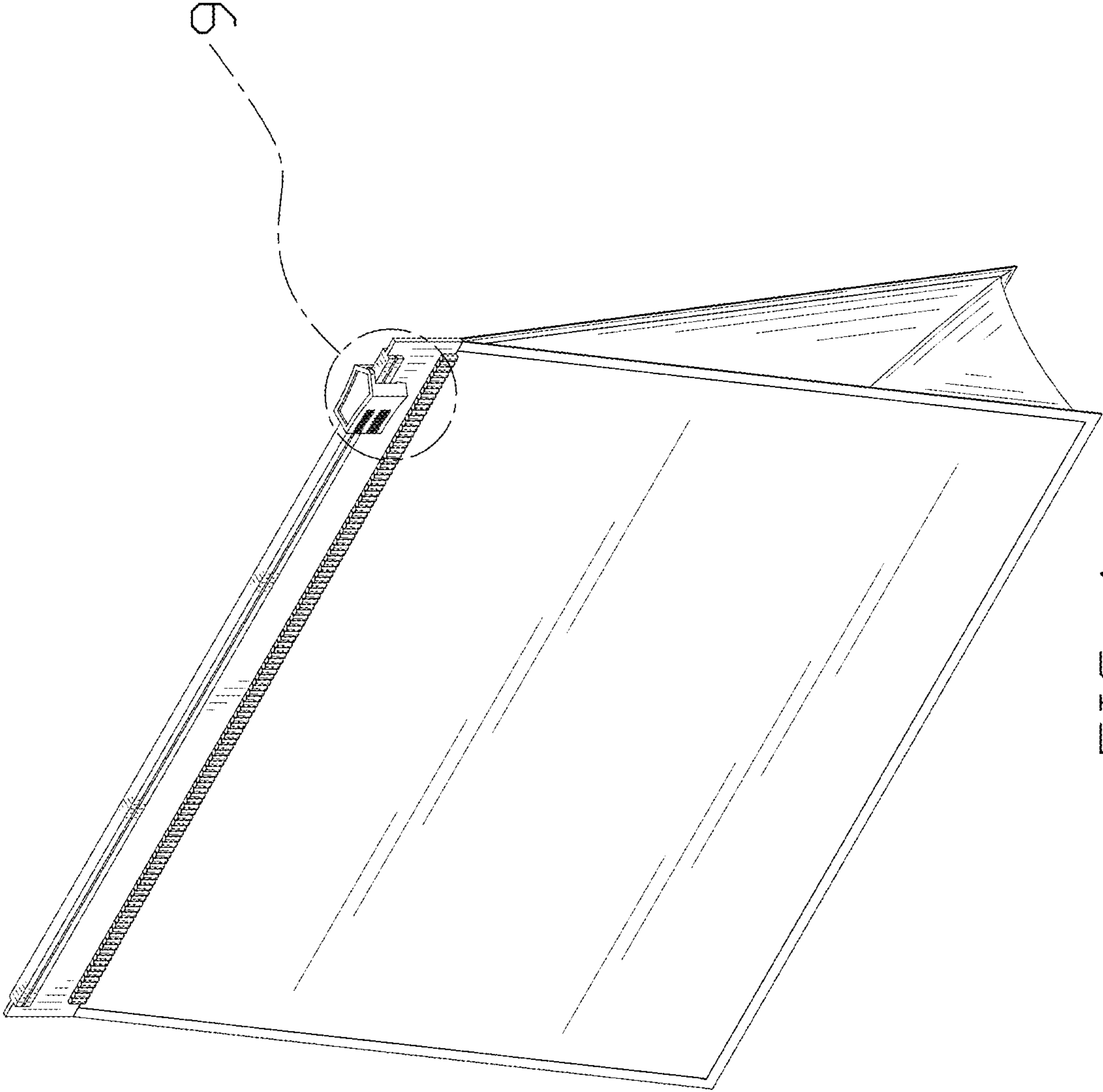


FIG. 1

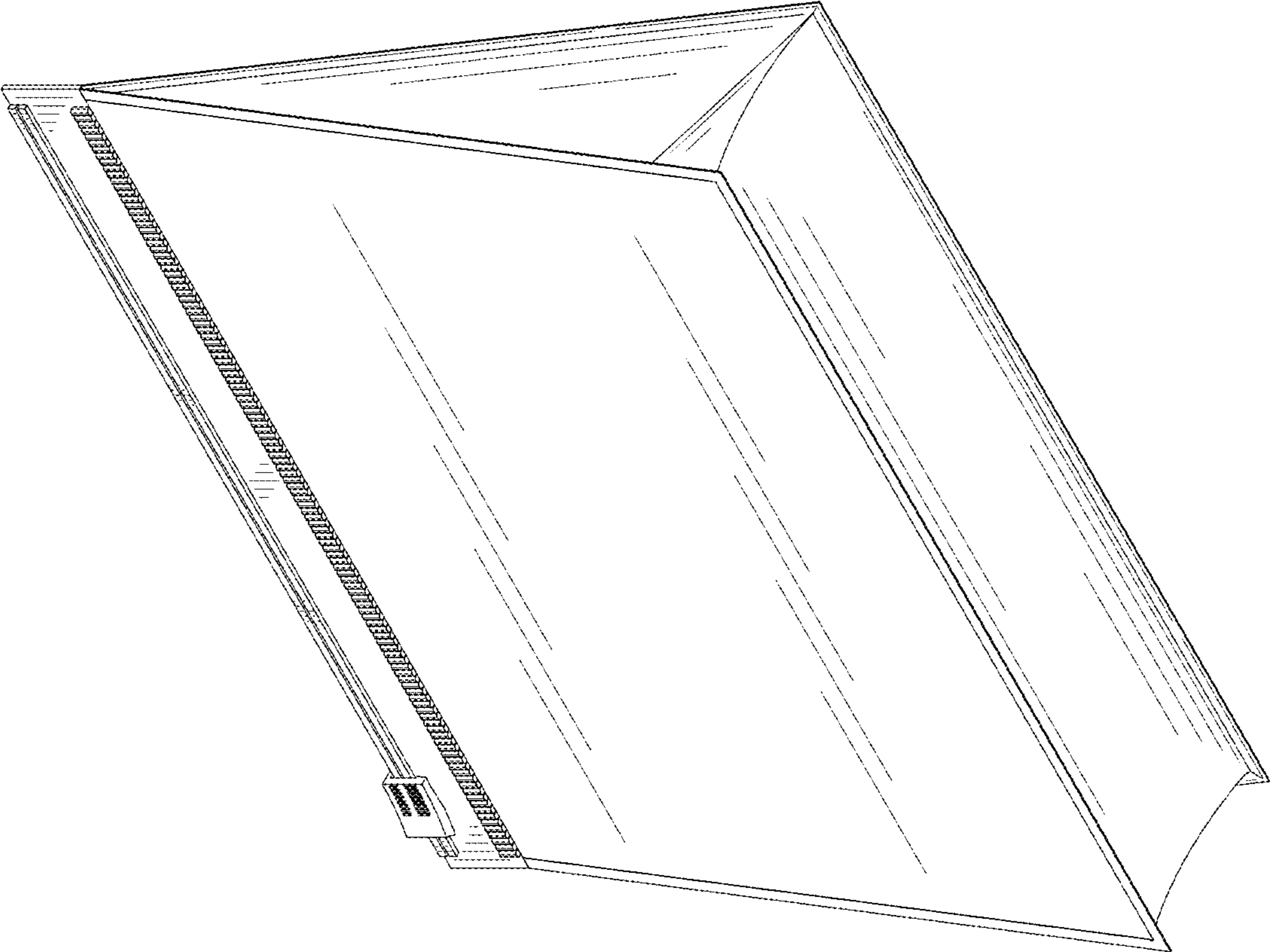


FIG. 2

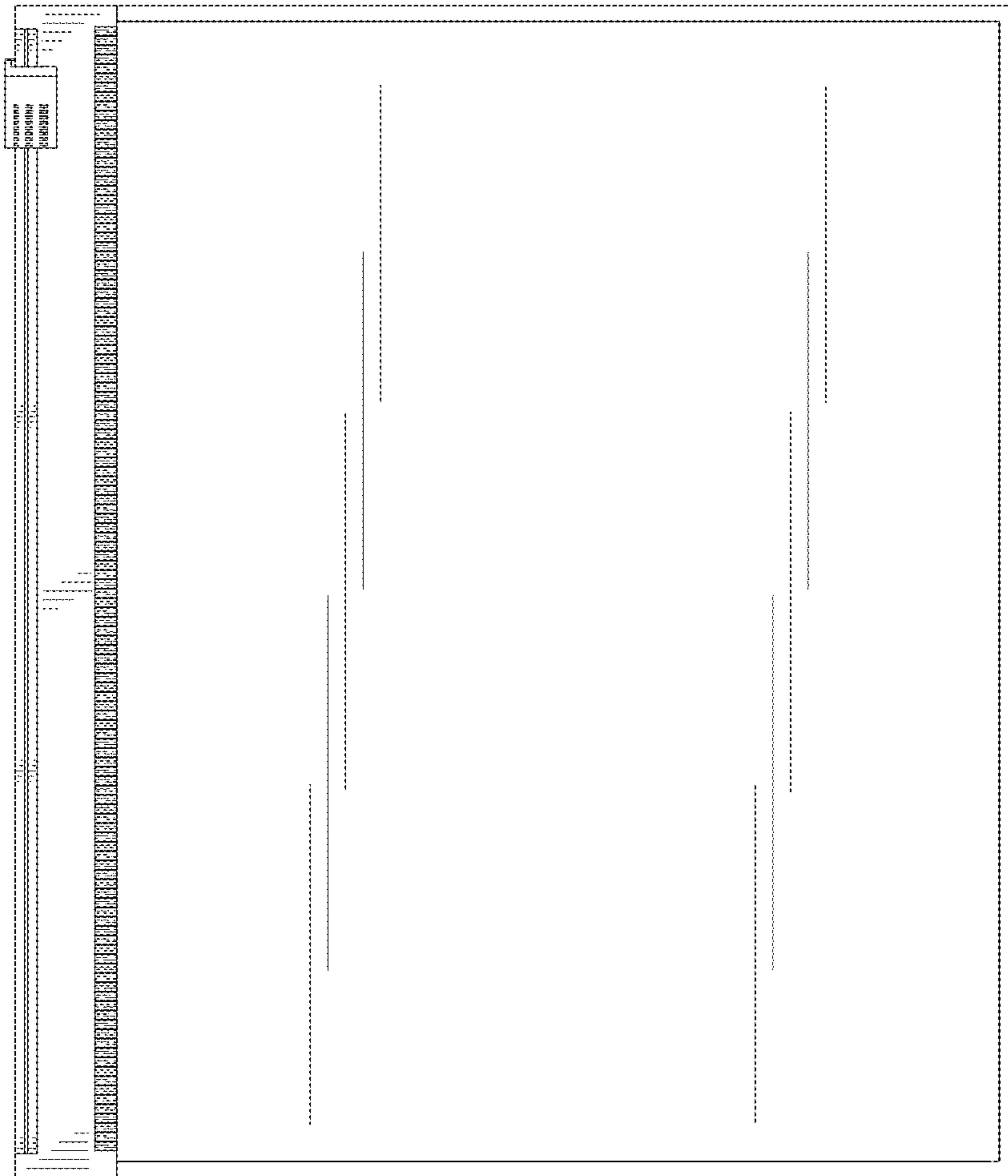


FIG. 3

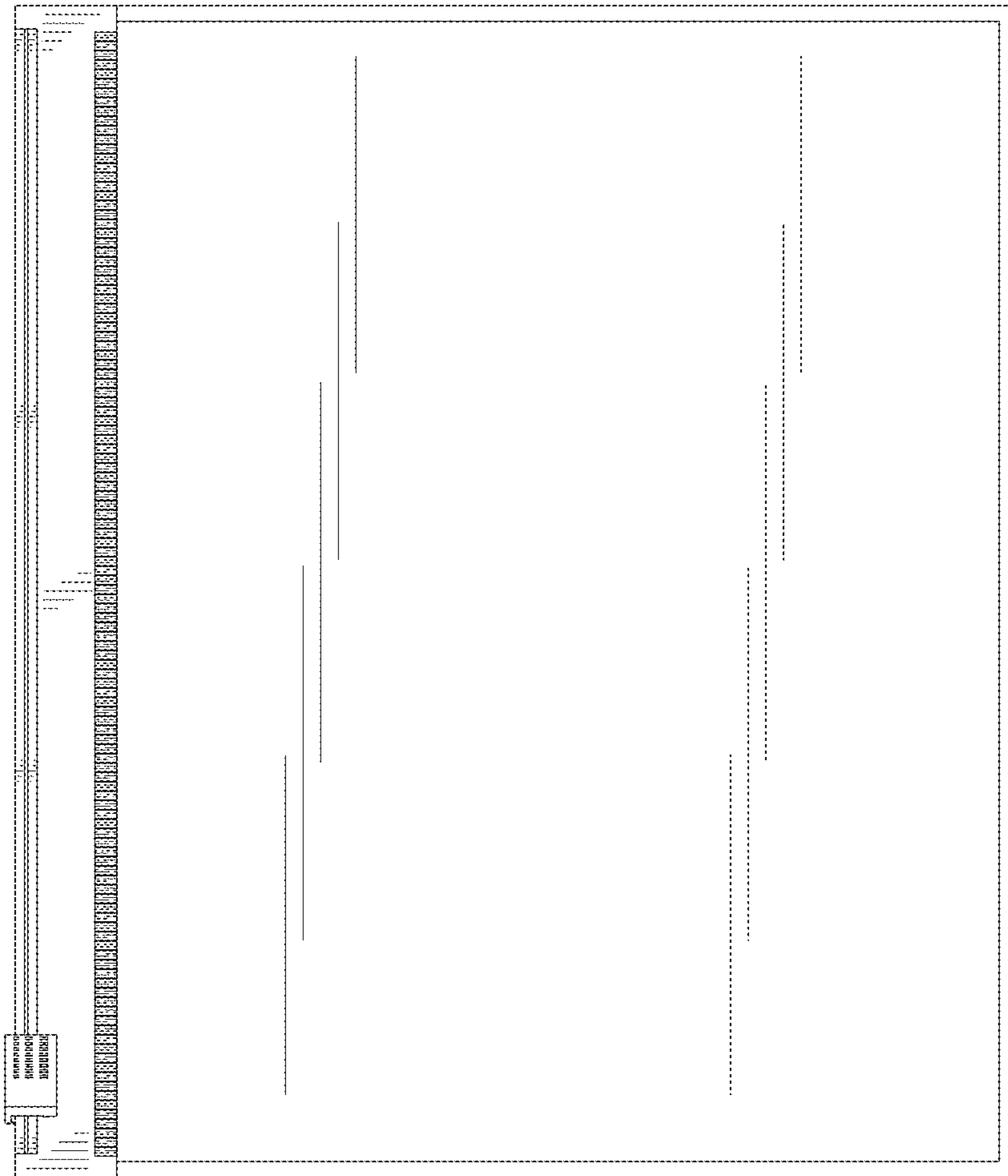


FIG. 4

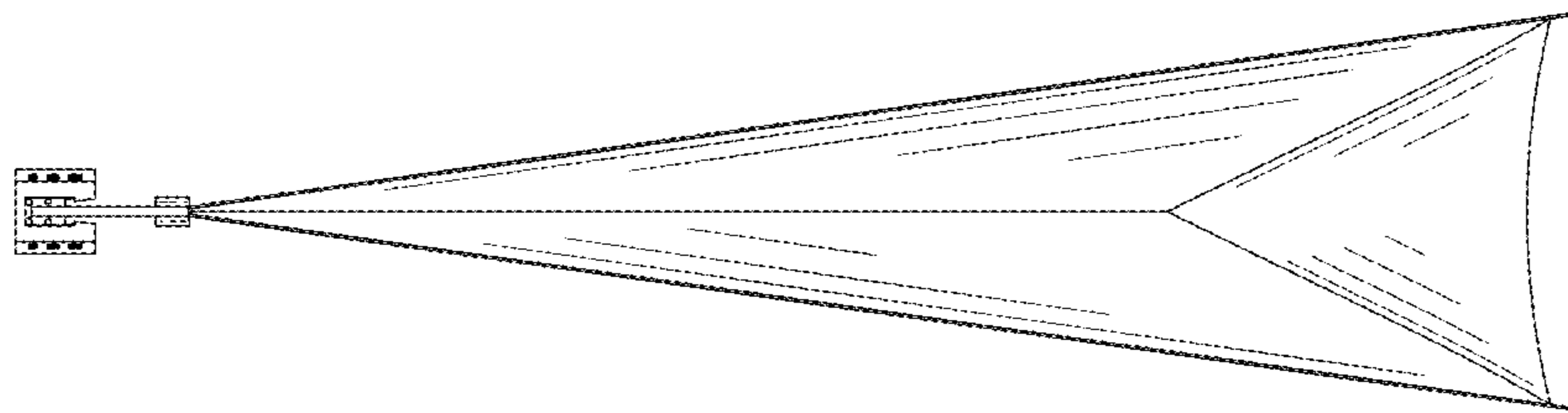


FIG. 5

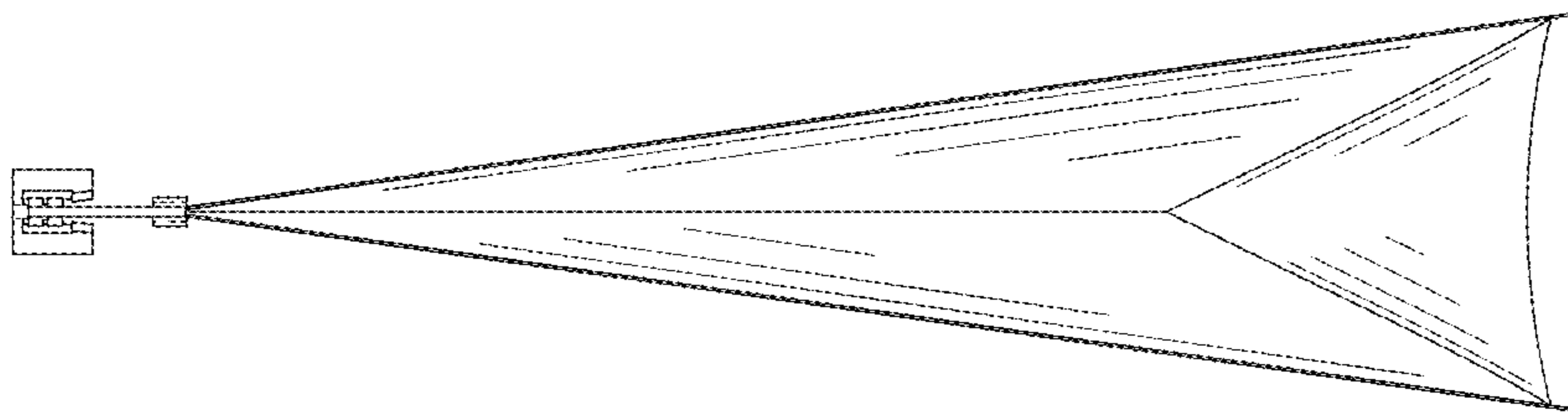


FIG. 6

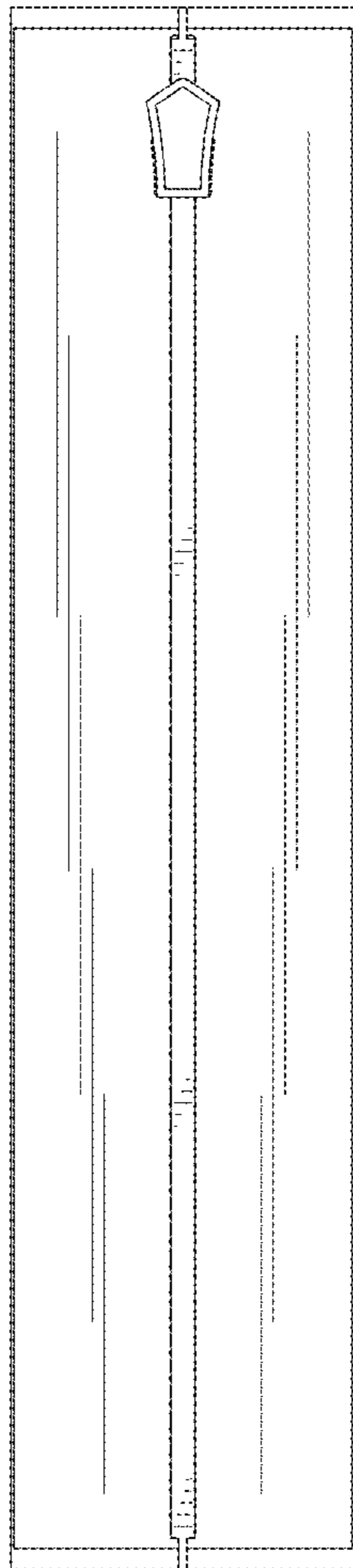


FIG. 7



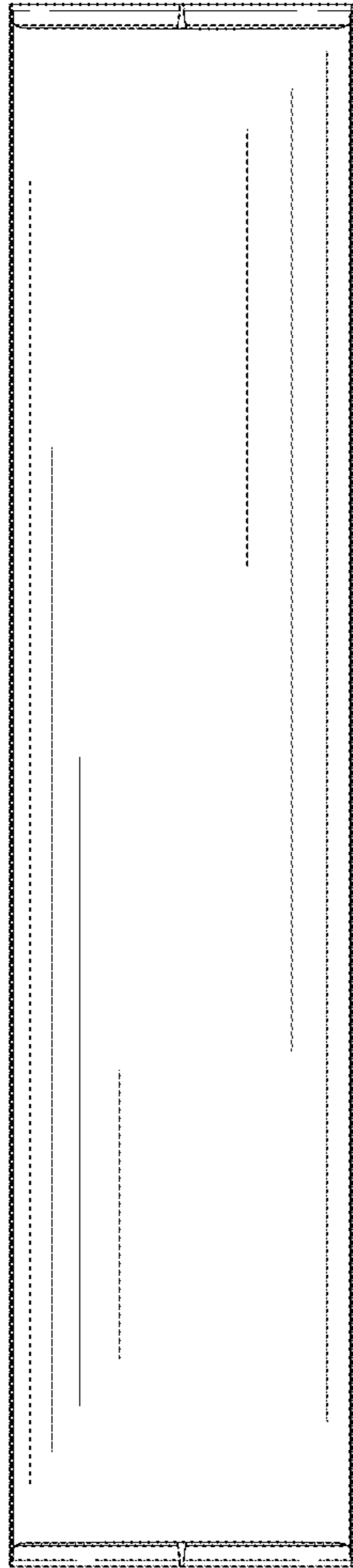


FIG. 8

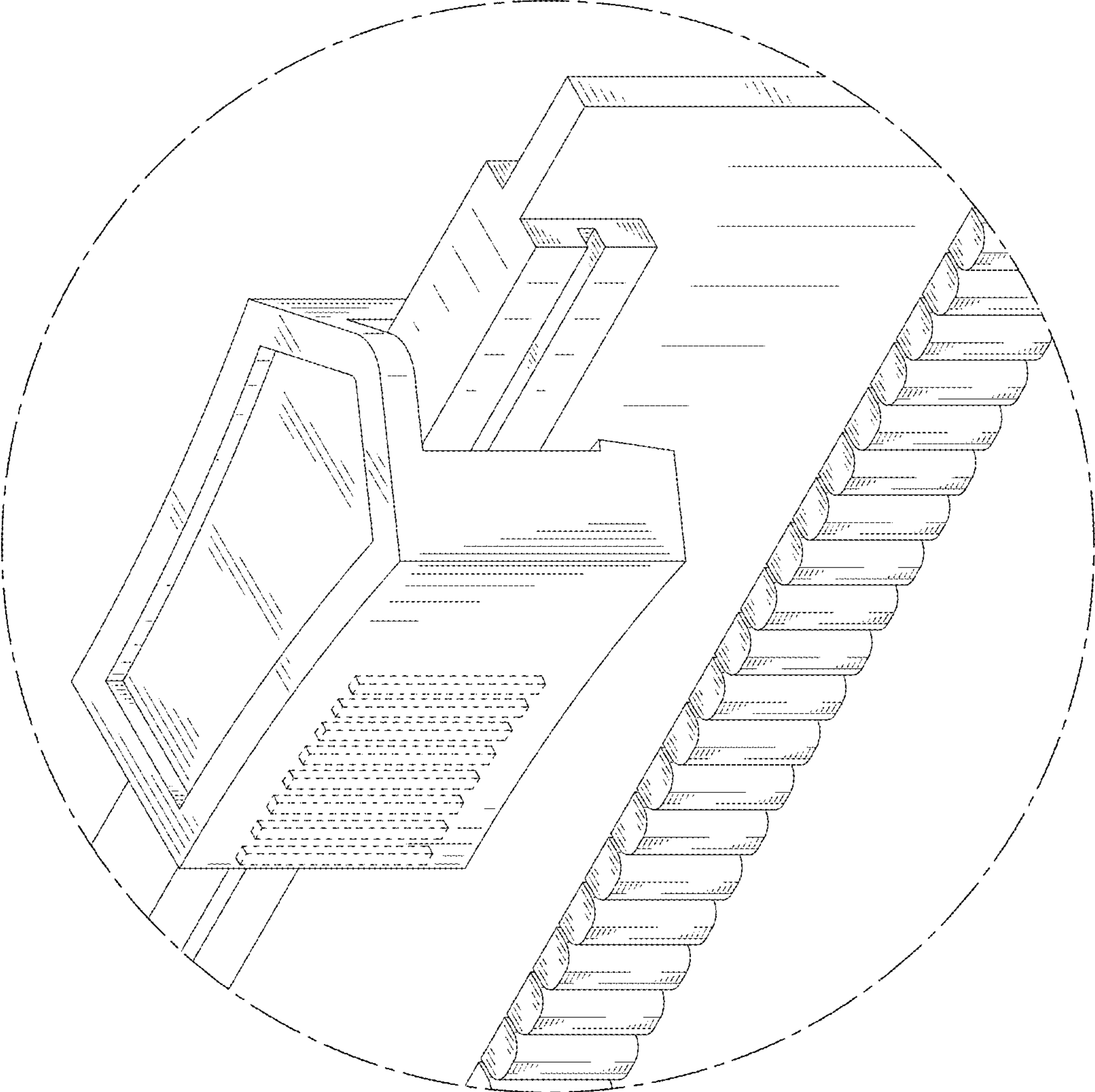


FIG. 9