



US00D984897S

(12) **United States Design Patent**
Liang

(10) **Patent No.:** **US D984,897 S**

(45) **Date of Patent:** **** May 2, 2023**

(54) **MIXING CUP**

(71) Applicant: **Fengxian Liang**, Guangzhou (CN)

(72) Inventor: **Fengxian Liang**, Guangzhou (CN)

(**) Term: **15 Years**

(21) Appl. No.: **29/848,340**

(22) Filed: **Aug. 2, 2022**

(30) **Foreign Application Priority Data**

Jul. 12, 2022 (CN) 202230440260.6

(51) **LOC (14) Cl.** **09-01**

(52) **U.S. Cl.**
USPC **D9/530**

(58) **Field of Classification Search**
USPC D9/434-435, 439, 447, 449, 450,
D9/452-454, 516, 523, 524, 528-531,
D9/541-544, 549-551, 556, 558-560,
D9/563, 565, 566, 571-575, 682, 686,
D9/687, 693, 694, 715, 719, 557;
D23/211, 225; D7/300, 300.1, 316, 317,
D7/598; D24/107, 108, 121, 122,
D24/197-199, 207, 224
CPC B65D 45/28; B65D 2501/0081; B65D
21/0237; B65D 2501/0009; B65D 1/00;
B65D 1/02; B65D 1/12; B65D 1/18;
B65D 1/20; B65D 1/0223; A47J 43/046
See application file for complete search history.

(56) **References Cited**

U.S. PATENT DOCUMENTS

D115,411 S * 6/1939 Lacy D7/319
D185,772 S * 7/1959 Keith D7/312
3,081,010 A * 3/1963 Earls B65D 47/0895
222/545
3,120,912 A * 2/1964 Mount B65D 25/42
D9/528

D200,792 S * 4/1965 Eyles D7/530
3,180,540 A * 4/1965 Tupper B65D 47/0895
222/545
3,858,767 A * 1/1975 Borin B65D 21/022
222/572
D268,725 S * 4/1983 Trombly D7/317
D286,364 S * 10/1986 Gecchelin D7/317
D286,367 S * 10/1986 Murphy D9/449
4,832,231 A * 5/1989 Kolody A47G 19/12
222/514
D307,053 S * 4/1990 Muller D9/518
D317,120 S * 5/1991 Schwartzburg D9/518
D338,591 S * 8/1993 Wyatt D7/316

(Continued)

OTHER PUBLICATIONS

Mug Creative Hexagonal Ceramic Coffee Mug with lid and Spoon, Large Capacity Tea Milk Cup for Office and Home, Best Gift 350ml / 12.3oz. Online, published date Jun. 3, 2019. Retrieved on Dec. 7, 2022 from URL: <https://www.amazon.com/Creative-Hexagonal-Ceramic-Coffee-Capacity/dp/B07SHR144J?th=1>.*

Primary Examiner — Omeed Agilee

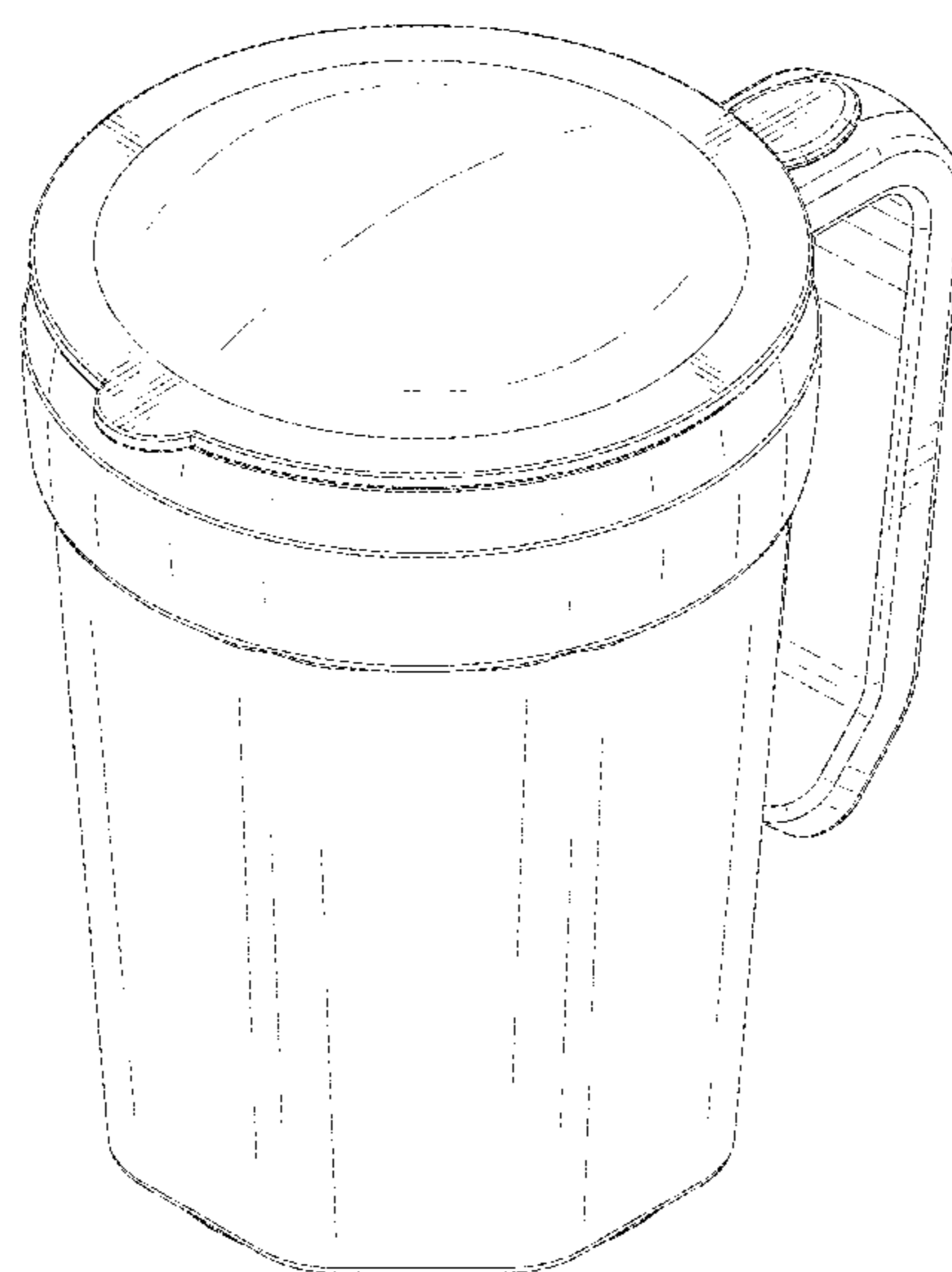
(57) **CLAIM**

The ornamental design for a mixing cup, as shown and described.

DESCRIPTION

FIG. 1 is a front perspective view of a mixing cup, showing my new design;
FIG. 2 is a front view thereof;
FIG. 3 is a rear view thereof;
FIG. 4 is a left side view thereof;
FIG. 5 is a right side view thereof;
FIG. 6 is a top view thereof; and,
FIG. 7 is a bottom view thereof.
The broken lines, the areas within them, and the unshaded areas bounded by broken lines and solid lines depict portions of the mixing cup that form no part of the claimed design.

1 Claim, 7 Drawing Sheets



(56)

References Cited

U.S. PATENT DOCUMENTS

D341,985 S	*	12/1993	Bunn	D7/322
D352,418 S	*	11/1994	Betts	D7/300
D382,763 S	*	8/1997	Jeppesen	D7/312
D395,784 S	*	7/1998	Michaeli	D7/319
D416,796 S	*	11/1999	Smith	D7/629
D451,031 S	*	11/2001	Westphal	D9/569
D479,090 S	*	9/2003	Backes	D7/316
D560,951 S	*	2/2008	Appleton	D7/317
D671,403 S	*	11/2012	Ronan	D9/423
D674,661 S		1/2013	Shevin-Sandy	
D726,476 S	*	4/2015	Ercanbrack	D7/300.1
D865,513 S	*	11/2019	Gelbaugh	D9/425
D872,571 S	*	1/2020	Guiraud	D9/420

* cited by examiner

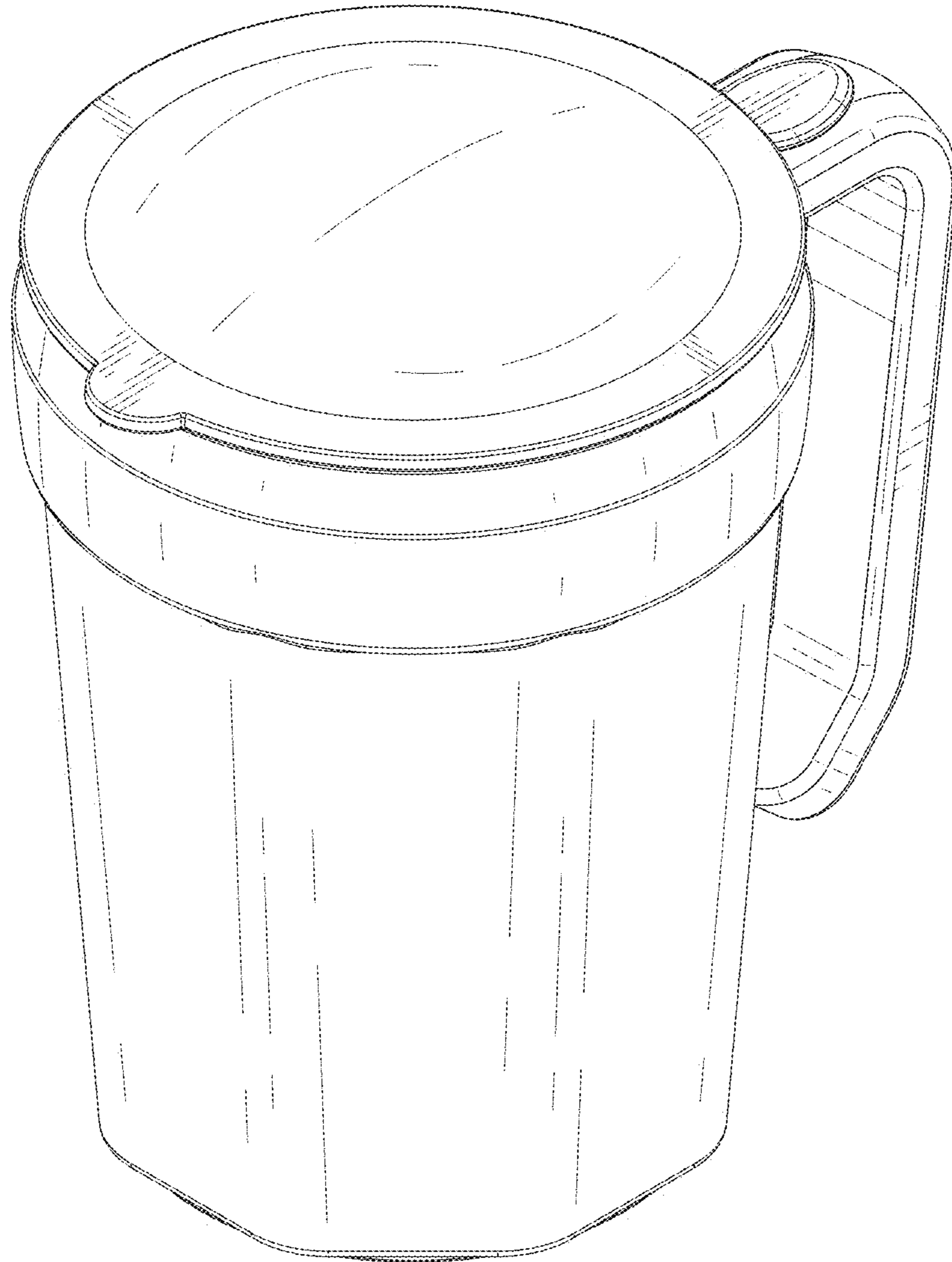


FIG. 1

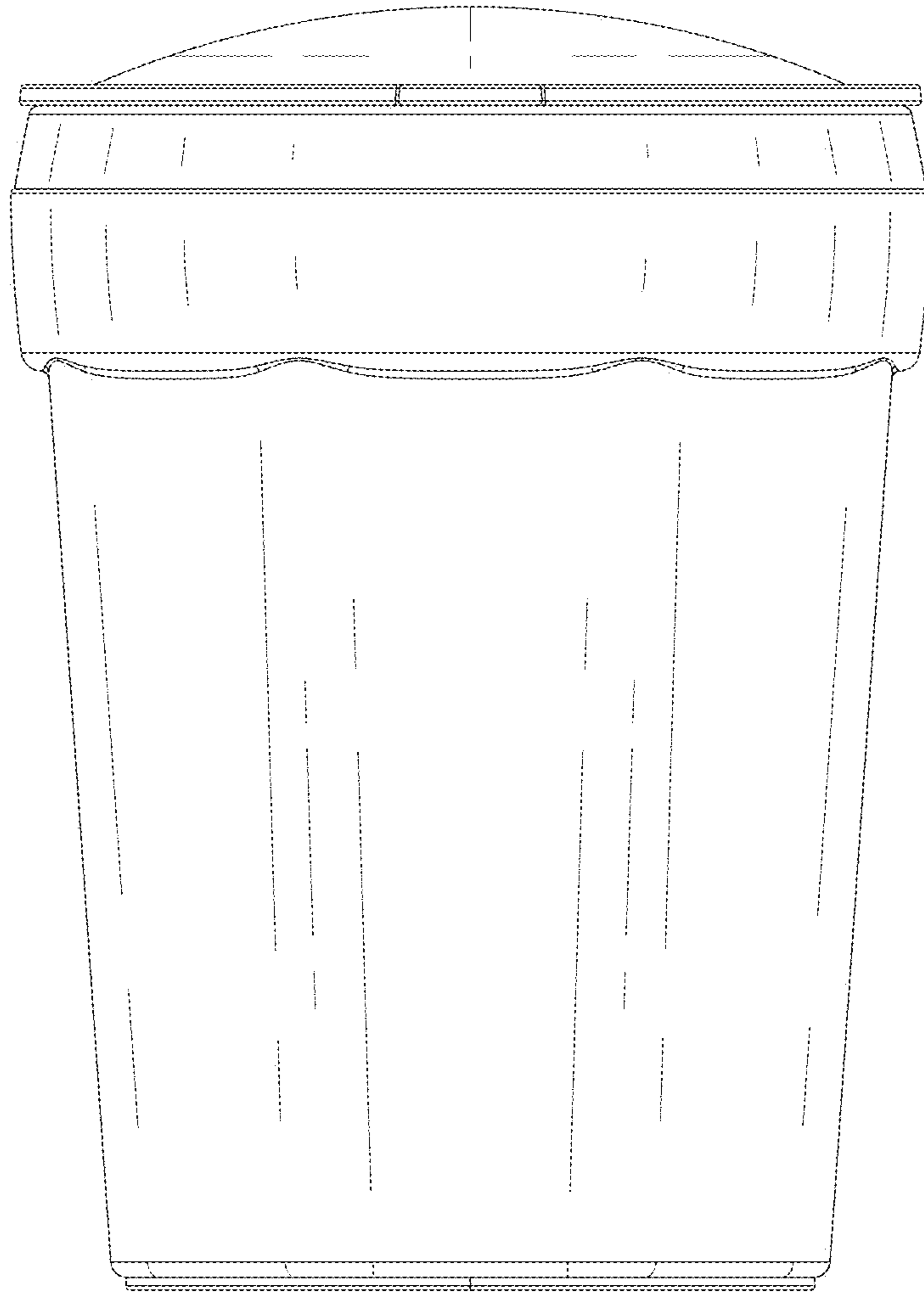


FIG. 2

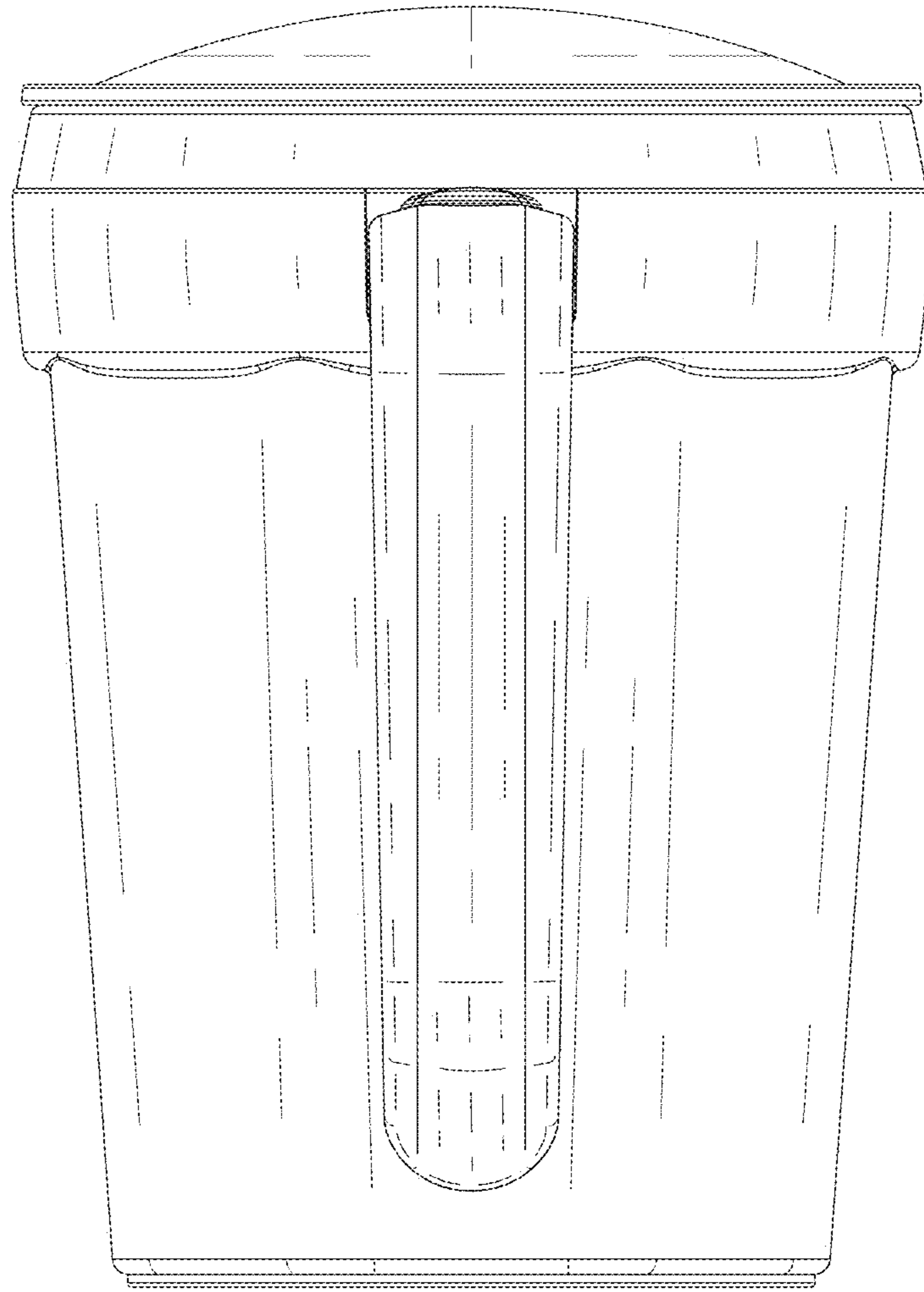


FIG. 3

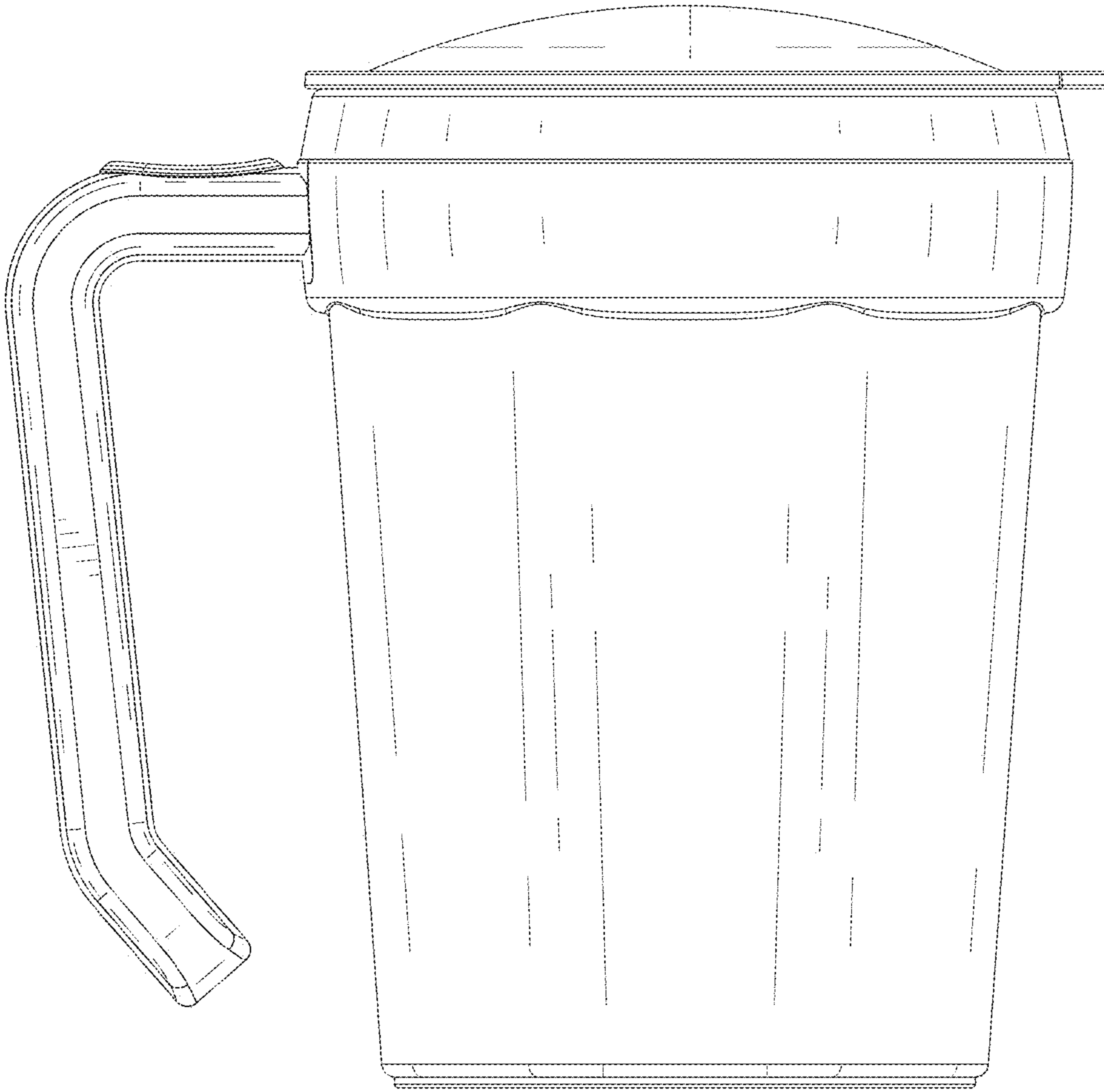


FIG. 4

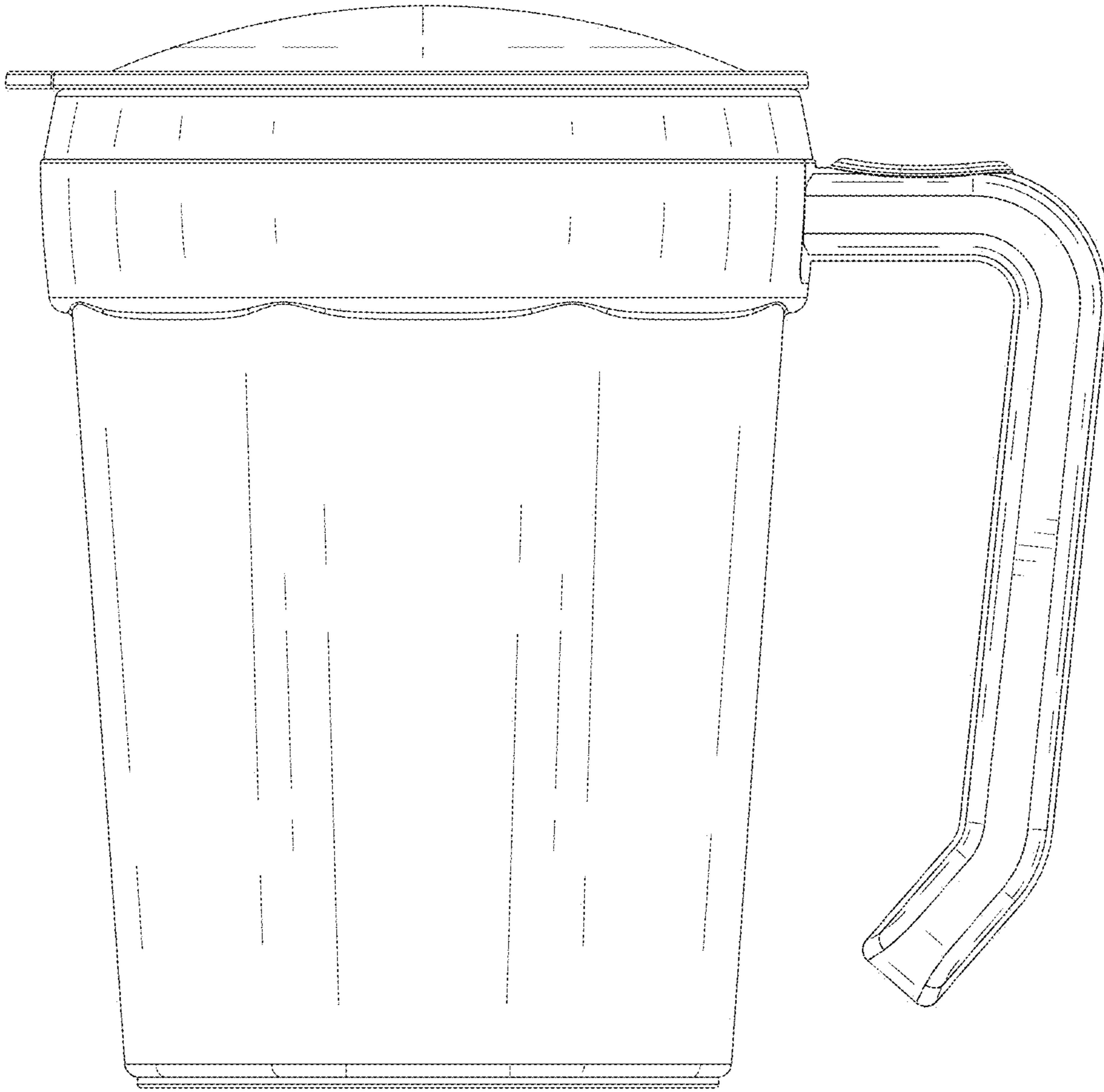


FIG. 5

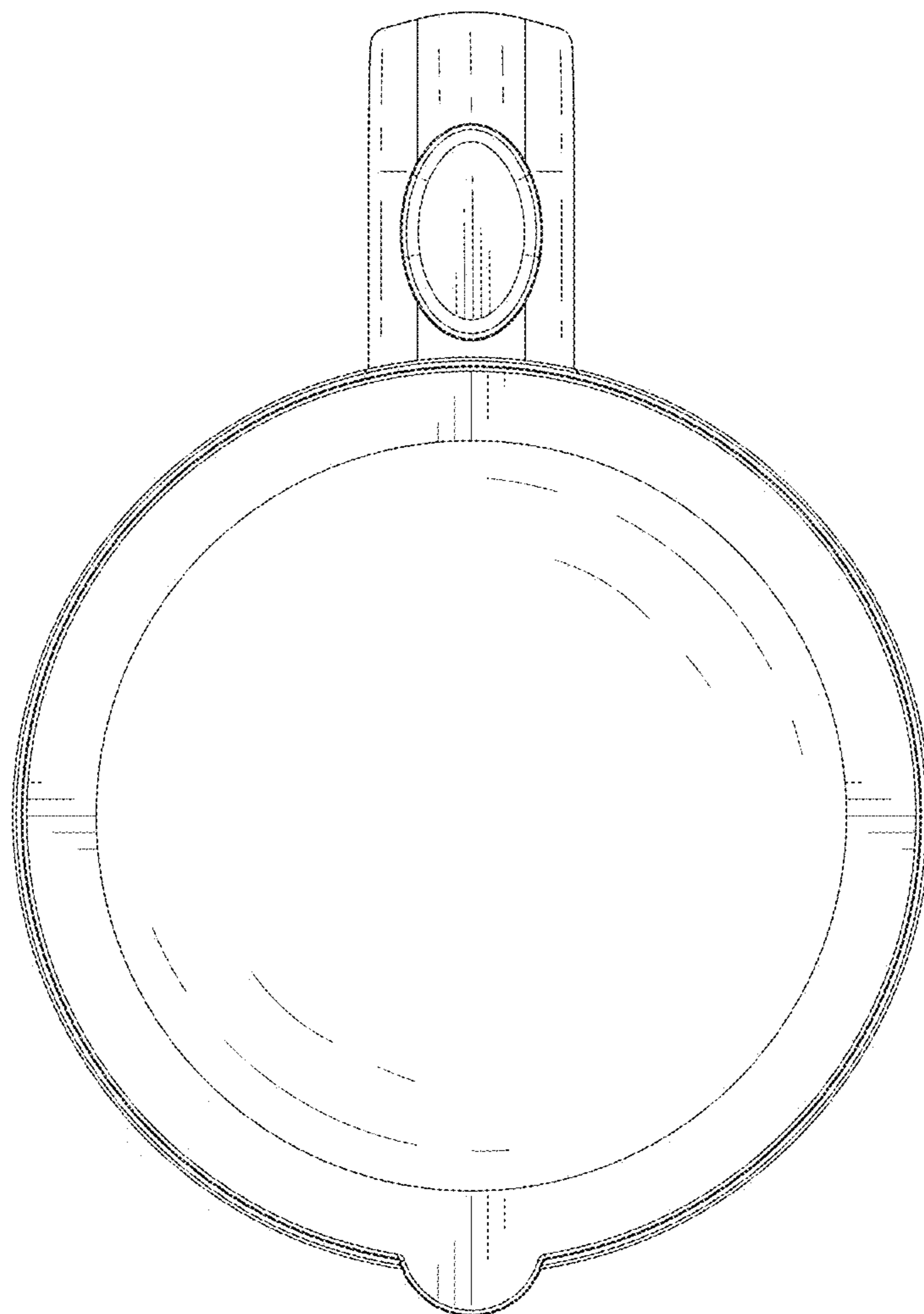


FIG. 6

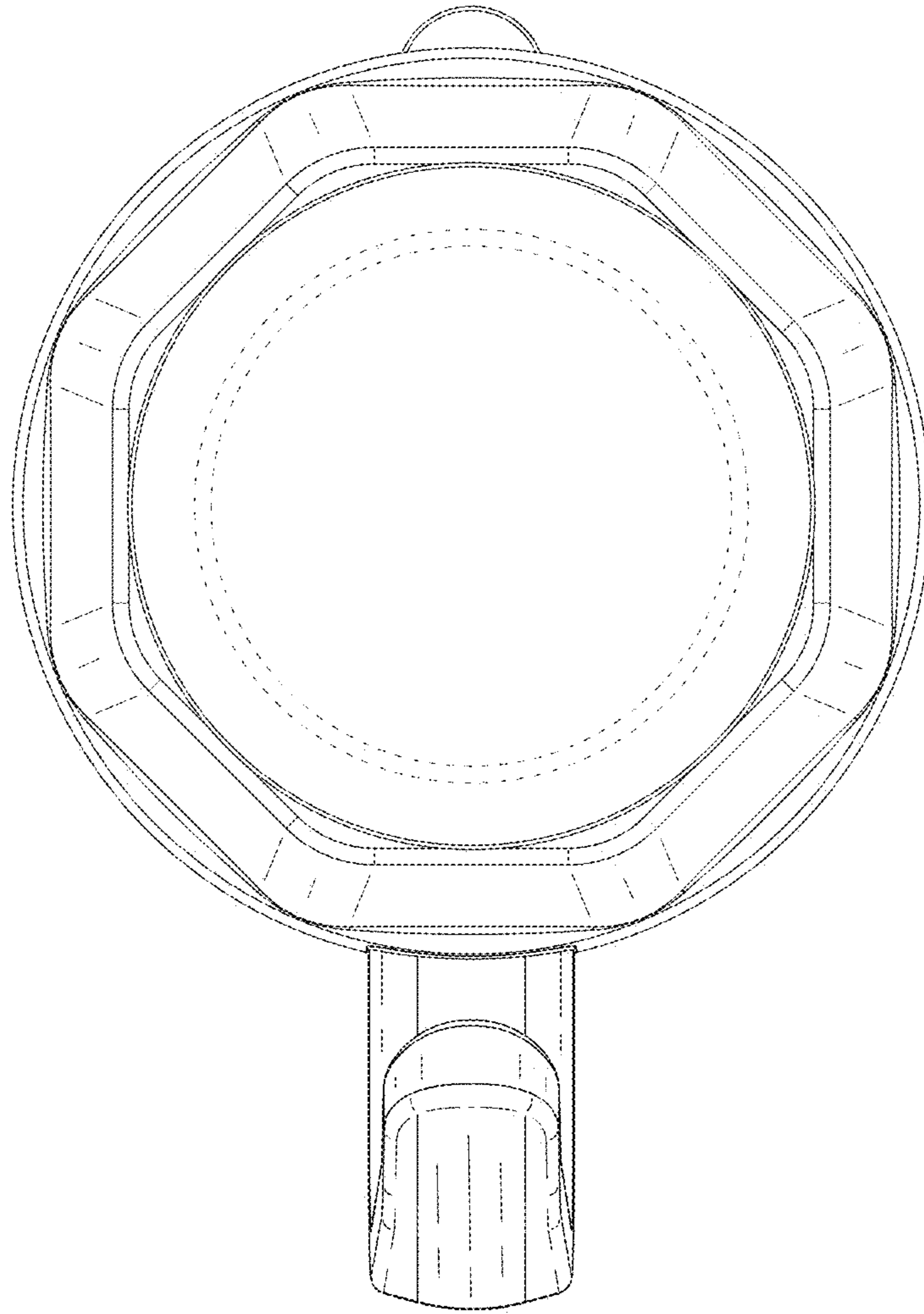


FIG. 7