



US00D984895S

(12) **United States Design Patent** (10) **Patent No.:** **US D984,895 S**  
**Behnke et al.** (45) **Date of Patent:** **\*\* May 2, 2023**

(54) **PACKAGING INSERT FOR A PROCESS CHAMBER COMPONENT**

(71) Applicant: **Applied Materials, Inc.**, Santa Clara, CA (US)

(72) Inventors: **Joseph Frederick Behnke**, San Jose, CA (US); **Trevor Wilantewicz**, Sunnyvale, CA (US); **Christopher Laurent Beaudry**, San Jose, CA (US); **Timothy Douglas Toth**, Kalispell, MT (US); **Scott Osterman**, Whitefish, MT (US)

(73) Assignee: **APPLIED MATERIALS, INC.**, Santa Clara, CA (US)

(\*\*) Term: **15 Years**

(21) Appl. No.: **29/763,475**

(22) Filed: **Dec. 22, 2020**

(51) **LOC (14) Cl.** ..... **09-03**

(52) **U.S. Cl.**  
USPC ..... **D9/456**

(58) **Field of Classification Search**  
USPC ..... D7/392.1, 396.2; D9/434-436, 454, 499, D9/439, 444, 445, 456  
CPC ..... B65B 31/024  
See application file for complete search history.

(56) **References Cited**

**U.S. PATENT DOCUMENTS**

D126,200 S \* 4/1941 Eisenberg ..... D9/434  
2,501,983 A \* 3/1950 Zoia ..... A47G 19/26  
3,414,183 A \* 12/1968 Wilcox ..... B65D 43/0212  
229/125.13  
3,429,369 A \* 2/1969 Segal ..... A47G 19/26  
165/47  
3,694,991 A 10/1972 Perdue et al.  
D260,492 S \* 9/1981 Scott ..... D7/392.1

D262,932 S \* 2/1982 Daenen ..... D7/392.1  
D281,758 S \* 12/1985 Trombly ..... D7/629  
D398,997 S \* 9/1998 Taylor ..... D23/386  
D411,800 S \* 7/1999 Kokenge ..... D9/454  
D434,660 S \* 12/2000 Conti ..... D7/391  
D445,687 S \* 7/2001 Gilbertson ..... D7/392.1

(Continued)

**FOREIGN PATENT DOCUMENTS**

JP 2001-332612 A 11/2001  
KR 10-2019-0007276 A 1/2019  
TW D207742 10/2020

**OTHER PUBLICATIONS**

CAE Online. Used Amat / Applied Materials Etch Chamber for MXP #9222737 For Sale. No date specified. <https://caeonline.com/buy/spare-parts/amat-applied-materials-etch-chamber-for-mxp/9222737> (Year: 0).\*

(Continued)

*Primary Examiner* — Darcey E Gottschalk

(74) *Attorney, Agent, or Firm* — Moser Taboada

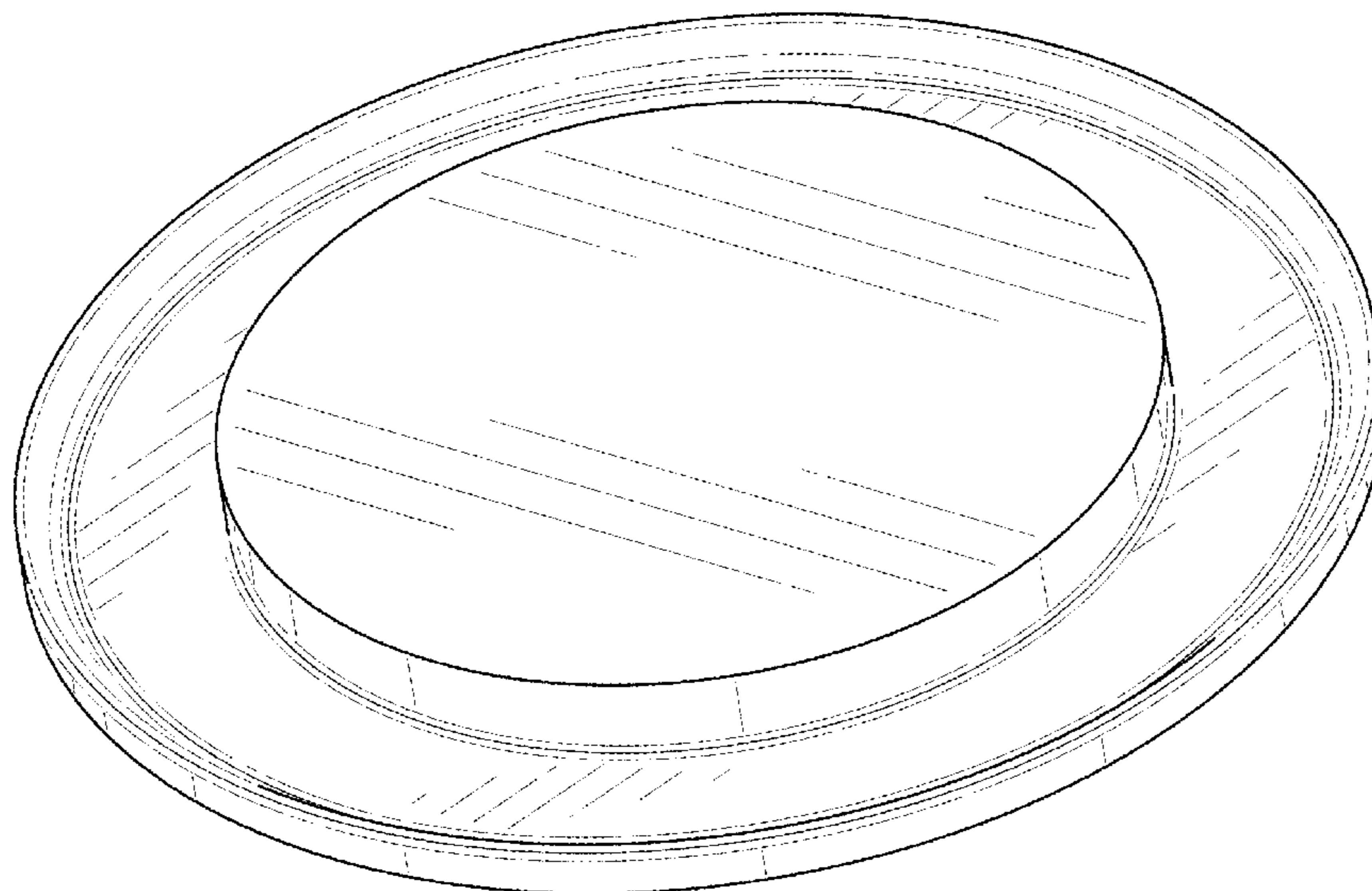
(57) **CLAIM**

The ornamental design for a packaging insert for a process chamber component, as shown and described.

**DESCRIPTION**

FIG. 1 is a top isometric view of a packaging insert for a process chamber component.  
FIG. 2 is a top plan view thereof.  
FIG. 3 is a bottom plan view thereof.  
FIG. 4 is a front elevation view thereof.  
FIG. 5 is a back elevation view thereof.  
FIG. 6 is a right side elevation view thereof.  
FIG. 7 is a left side elevation view thereof; and,  
FIG. 8 is a cross-sectional view taken along line 8-8 of FIG. 2.

**1 Claim, 5 Drawing Sheets**



(56)

References Cited

U.S. PATENT DOCUMENTS

D483,989 S \* 12/2003 Lillelund ..... D7/392.1  
 D526,564 S \* 8/2006 Slavin ..... D9/454  
 D595,570 S \* 7/2009 Moretti ..... D9/434  
 D604,614 S \* 11/2009 Janboecke ..... D9/454  
 D618,500 S \* 6/2010 Hardaway ..... D7/505  
 D625,190 S \* 10/2010 Pontes ..... D9/454  
 D627,226 S \* 11/2010 Gonzalez Sanchez ..... D9/449  
 8,266,873 B2 9/2012 Berbert et al.  
 D677,162 S \* 3/2013 Sharma ..... D7/392.1  
 D825,505 S \* 8/2018 Hanson ..... D13/182  
 D877,558 S \* 3/2020 Dorfmueller ..... D7/391  
 D934,315 S \* 10/2021 Lavitsky ..... D15/138  
 D942,516 S \* 2/2022 Koppa ..... D15/138  
 D943,345 S \* 2/2022 Löfholm ..... D7/392.1  
 D944,083 S \* 2/2022 Boggs ..... D7/392.1  
 D944,484 S \* 2/2022 Hornbaker ..... D34/10  
 D947,675 S \* 4/2022 Yamada ..... D9/454  
 D951,091 S \* 5/2022 Bontrager ..... D9/454  
 D955,217 S \* 6/2022 Choi ..... D7/392.1

D959,896 S \* 8/2022 Sun ..... D7/391  
 2004/0074790 A1 4/2004 Kuremoto et al.  
 2006/0011509 A1 1/2006 White, Jr.  
 2013/0213853 A1 8/2013 Brautigam et al.  
 2016/0068288 A1 3/2016 Palumbo

OTHER PUBLICATIONS

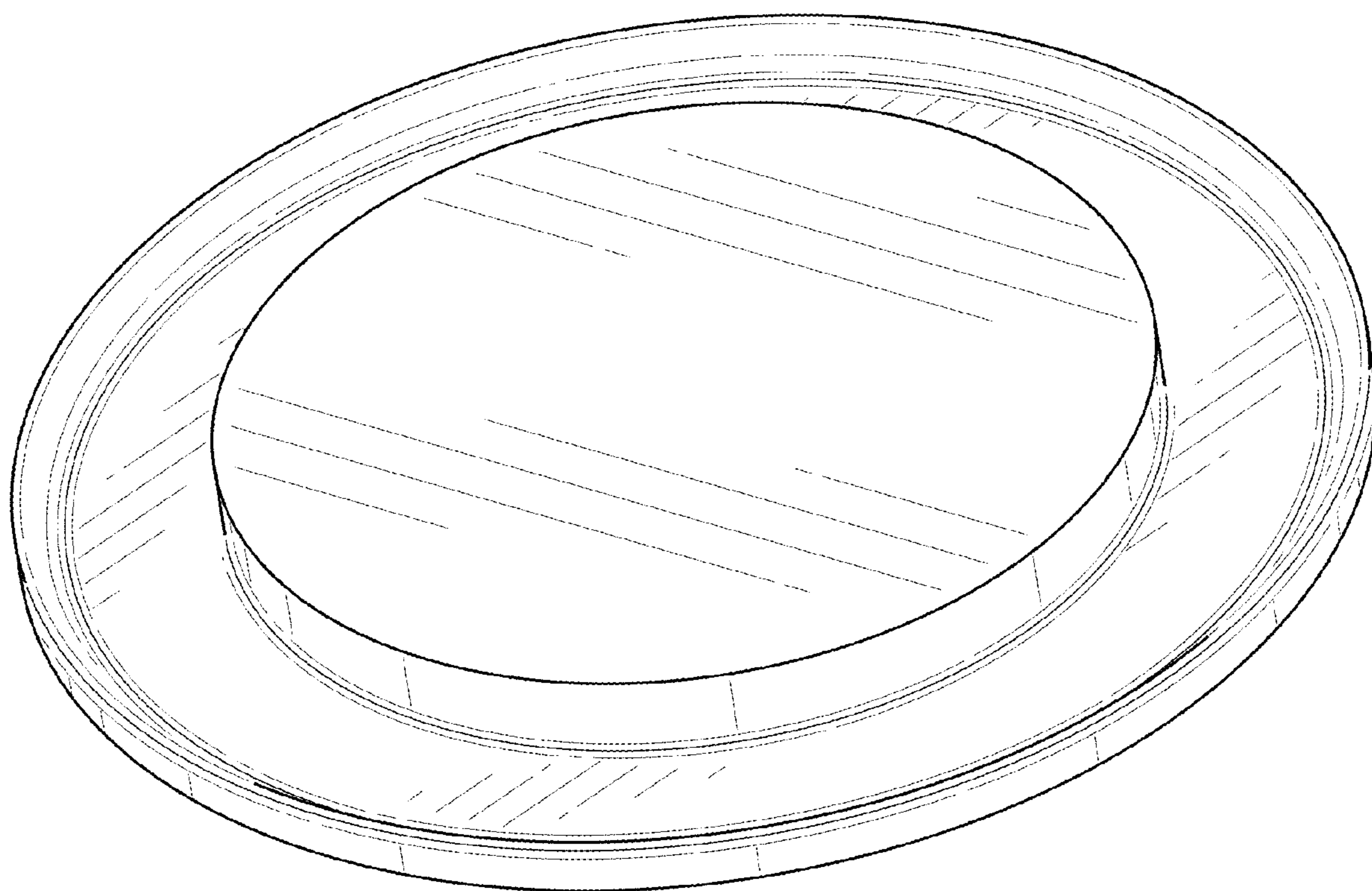
MRE Depot. Plastic Reusable Lids for #10 Cans (6 Pack). No date specified. <https://www.mredepot.com/10-can-plastic-lids-p/fe005.htm> (Year: 0).\*

Berlin Packaging. 307 Metal Paint Can Lid (Epoxy Liner). No date specified. [https://www.berlinpackaging.com/7713-307-metal-paint-can-lid-epoxy-liner/?promo=shopping&gclid=EAIalQobChMI2N3\\_9KaU9glVBYYzCh3MHQI1EAQYCyABEgKZXfD\\_BwE](https://www.berlinpackaging.com/7713-307-metal-paint-can-lid-epoxy-liner/?promo=shopping&gclid=EAIalQobChMI2N3_9KaU9glVBYYzCh3MHQI1EAQYCyABEgKZXfD_BwE) (Year: 0).\*

International Search Report and Written Opinion for PCT/US2021/064277 dated Apr. 18, 2022.

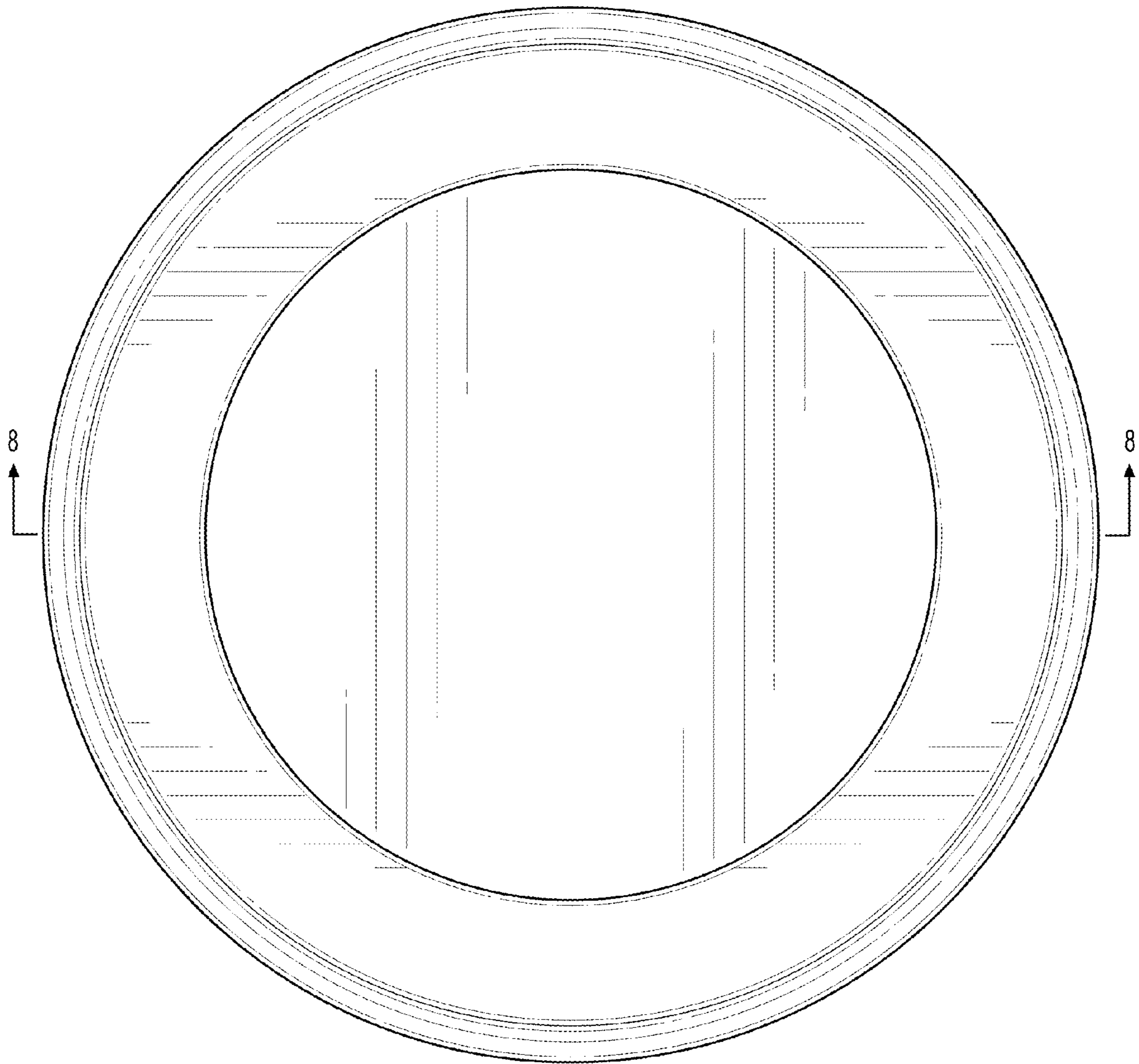
Search Report for Taiwan Design Application No. 110303137, dated Oct. 29, 2021.

\* cited by examiner

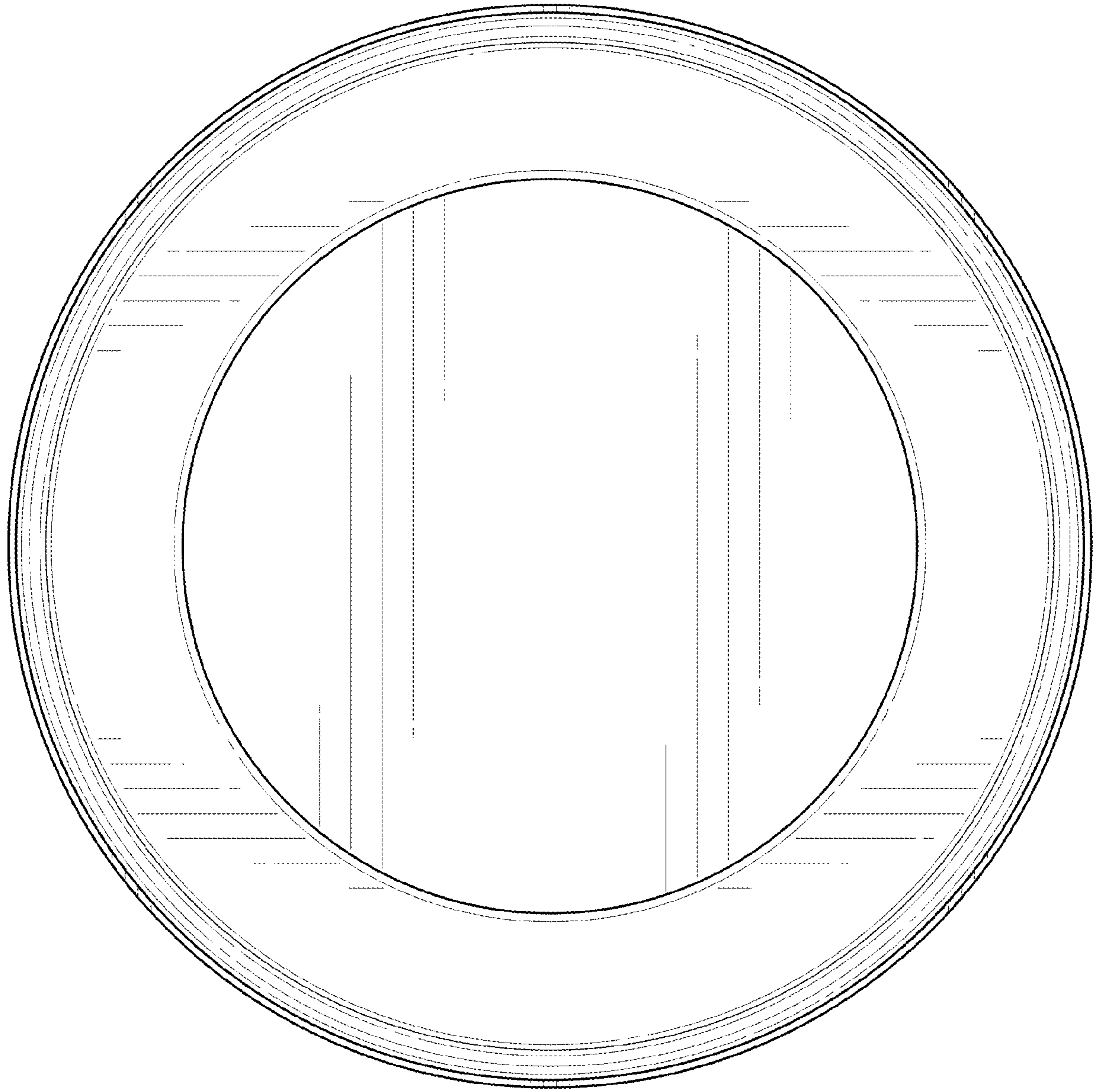


**FIG. 1**

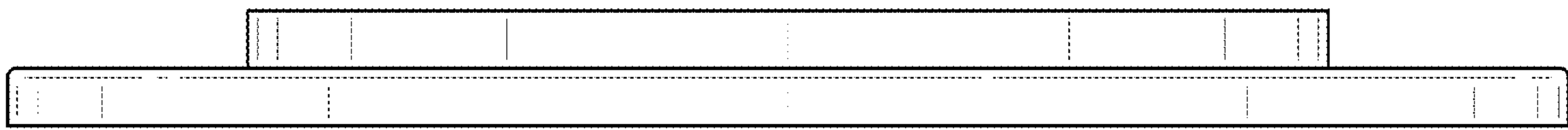




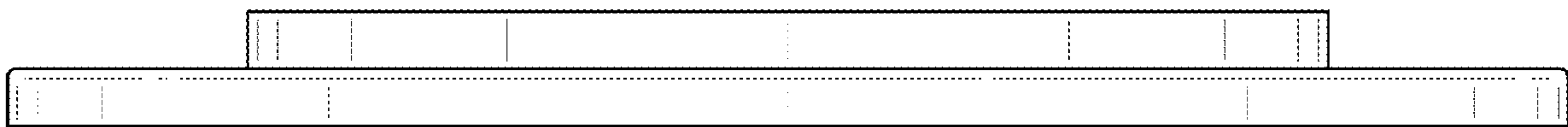
**FIG. 2**



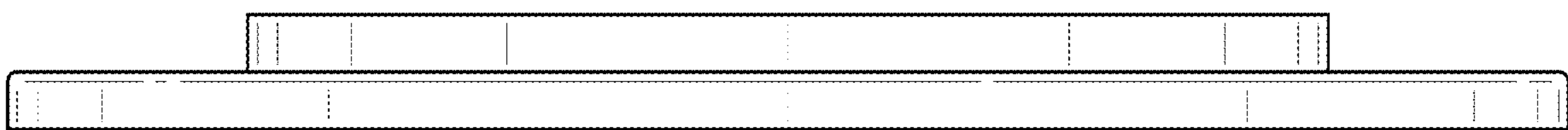
**FIG. 3**



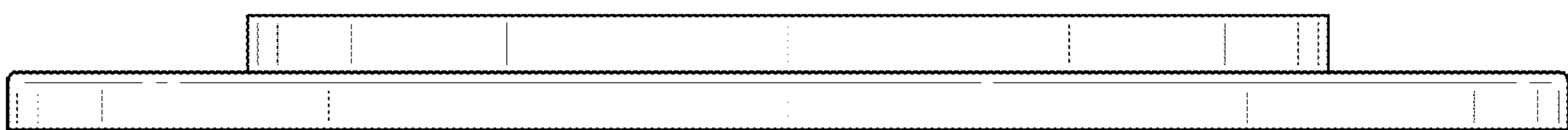
**FIG. 4**



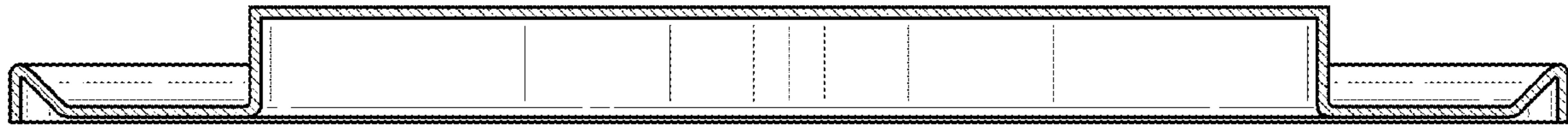
**FIG. 5**



**FIG. 6**



**FIG. 7**



**FIG. 8**