



US00D984892S

(12) **United States Design Patent** (10) **Patent No.:** **US D984,892 S**
Tidwell et al. (45) **Date of Patent:** **** May 2, 2023**

(54) **LID**

FOREIGN PATENT DOCUMENTS

(71) Applicant: **PWS Packaging Services, Inc.**, La Jolla, CA (US)

CN 305623477 * 2/2020
GB 9007043112-0007 * 10/2019
IN 301375-0001 * 2/2019

(72) Inventors: **Justin Tidwell**, Brea, CA (US);
William Tidwell, Brea, CA (US)

OTHER PUBLICATIONS

(**) Term: **15 Years**

www.usplastic.com, Jul. 10, 2019, Block Flip Top Cop—No Liner, URL: https://web.archive.org/web/20190710101704/http://www.crafters-choice.com/products/89-400-black-flip-top-cop-no-liner.aspx (Year: 2019).*

(21) Appl. No.: **29/764,685**

(22) Filed: **Dec. 31, 2020**

Related U.S. Application Data

(63) Continuation of application No. 17/066,357, filed on Oct. 8, 2020.

Primary Examiner — Michael C Stout

Assistant Examiner — Rani J Abdallah

(74) *Attorney, Agent, or Firm* — Buche & Associates, P.C.; John K. Buche; Bryce A. Johnson

(51) **LOC (14) Cl.** **09-07**

(52) **U.S. Cl.**

USPC **D9/443**; D9/435; D9/454

(58) **Field of Classification Search**

USPC D9/435, 439, 440, 442–449, 450, 454, D9/531, 682–694, 723, 575; D7/321, D7/391, 392, 392.1, 396.2, 507, 509–511, D7/523, 608, 900; D6/515

CPC B65D 83/205; B65D 83/206; B65D 83/40; B65D 2543/00046; A47G 19/2272

See application file for complete search history.

(57) **CLAIM**

We claim the ornamental design for a “lid,” as shown and described.

DESCRIPTION

FIG. 1 is a perspective view of a lid;
FIG. 2 is a front view of the lid of FIG. 1;
FIG. 3 is a right side view of the lid of FIG. 1;
FIG. 4 is a left side view of the lid of FIG. 1;
FIG. 5 is a back view of the lid of FIG. 1;
FIG. 6 is a top view of the lid of FIG. 1;
FIG. 7 is a bottom view of the lid of FIG. 1;
FIG. 8 is a perspective view of the lid of FIG. 1;
FIG. 9 is a bottom perspective view of the lid of FIG. 1;
FIG. 10 is a top perspective view of the lid of FIG. 1 in an open configuration; and,
FIG. 11 is a top perspective view of a lid of FIG. 1 in an open configuration.
Broken lines depict portions of the lid and form no part of the claimed design.

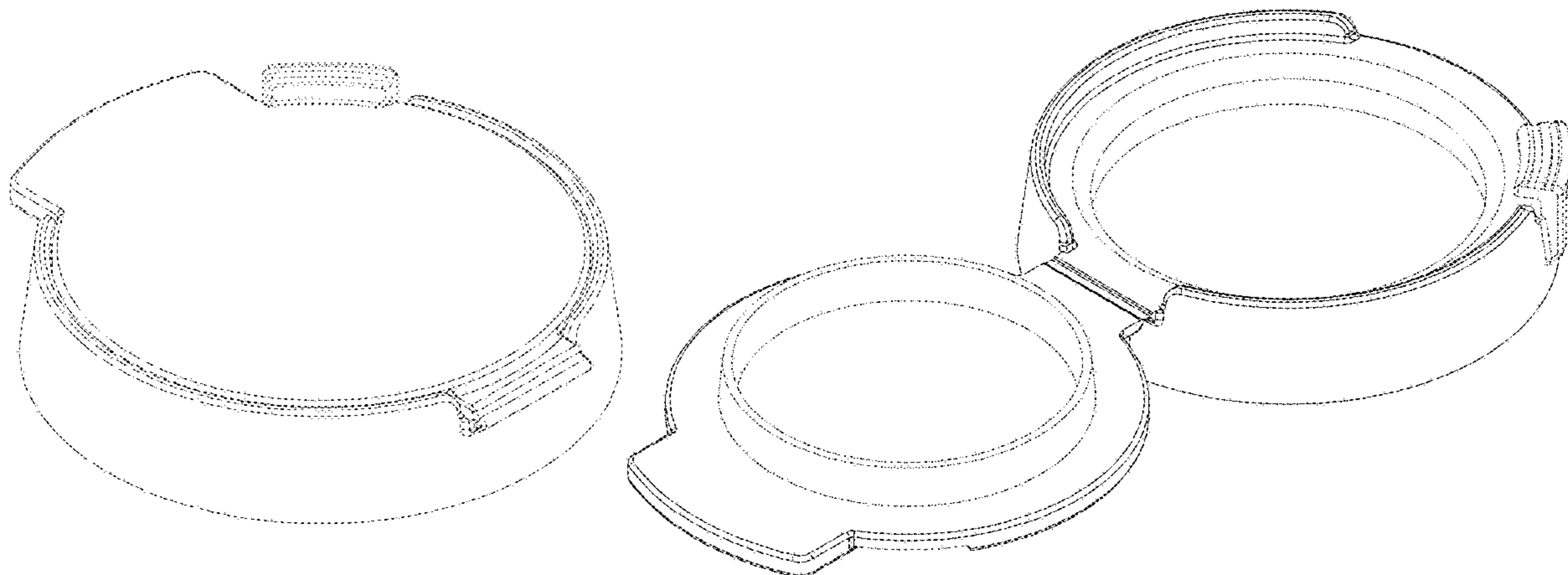
(56) **References Cited**

U.S. PATENT DOCUMENTS

5,011,032 A * 4/1991 Rollman A61J 7/04
116/321
D412,970 S * 8/1999 Whyte D23/260
D628,886 S * 12/2010 Gonzalez Sanchez D9/449
D690,200 S * 9/2013 Arand D9/449
D706,909 S * 6/2014 van de Klippe D23/269
D742,229 S * 11/2015 Wisniewski D9/449
D784,808 S * 4/2017 Berroa Garcia D9/435
D794,458 S * 8/2017 Lloyd D9/449
D835,939 S * 12/2018 Yee D7/392.1
D867,882 S * 11/2019 Arminak B65D 51/245
D9/449
D869,273 S * 12/2019 Kim D9/449

(Continued)

1 Claim, 11 Drawing Sheets



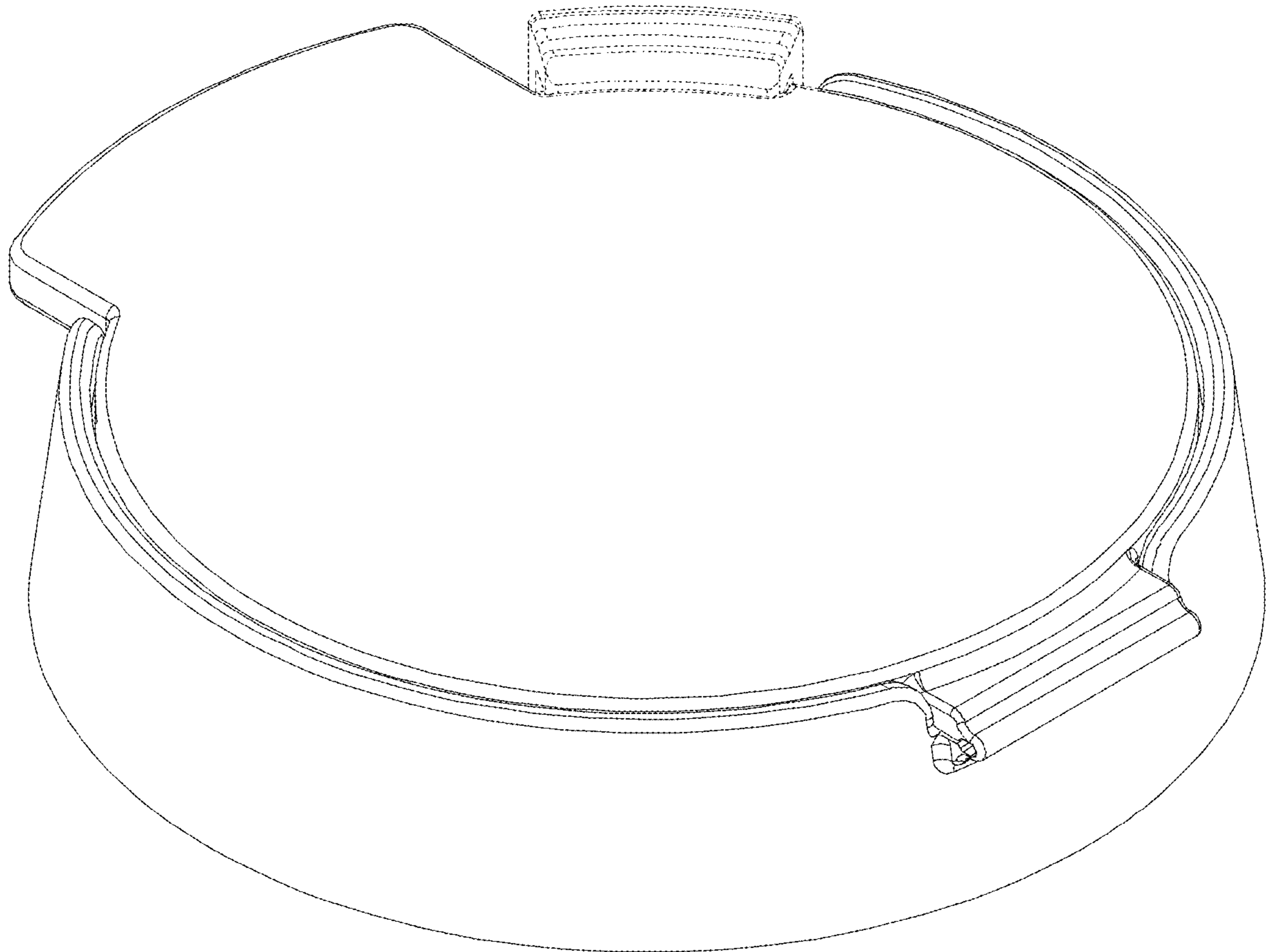


FIG. 1

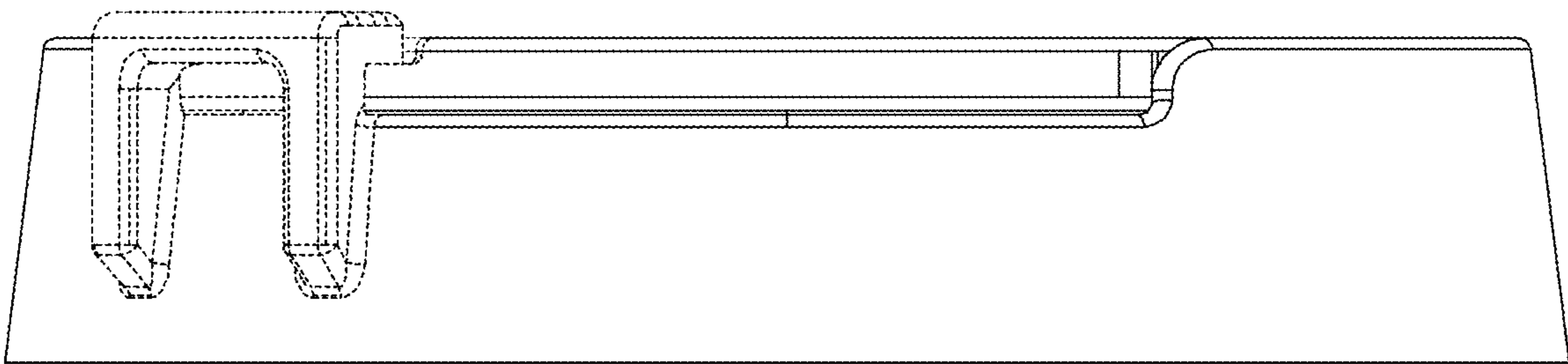


FIG. 2

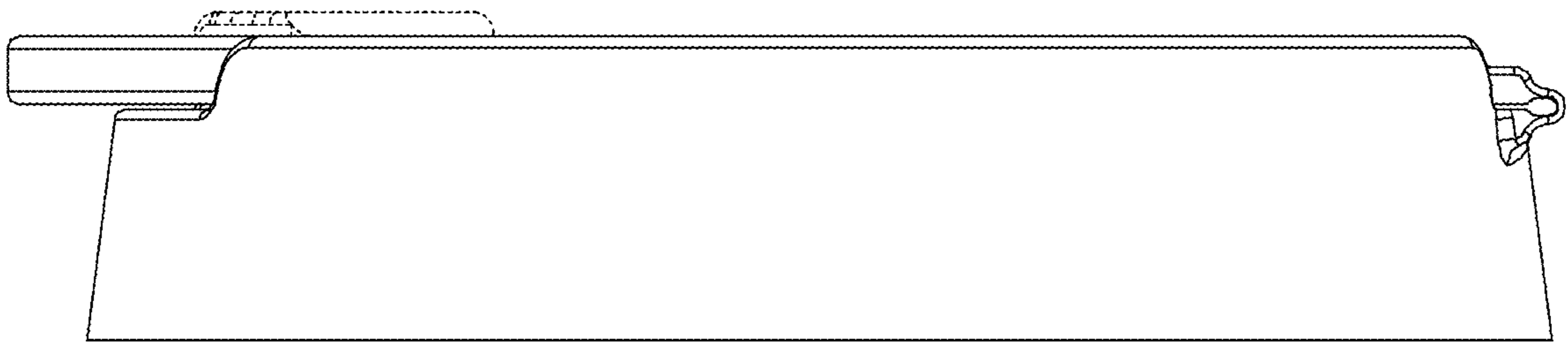


FIG. 3

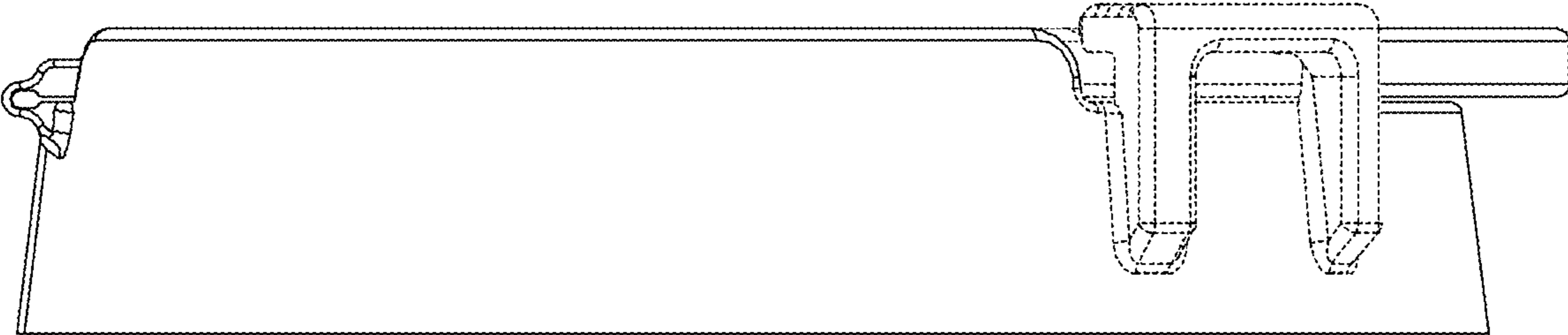


FIG. 4

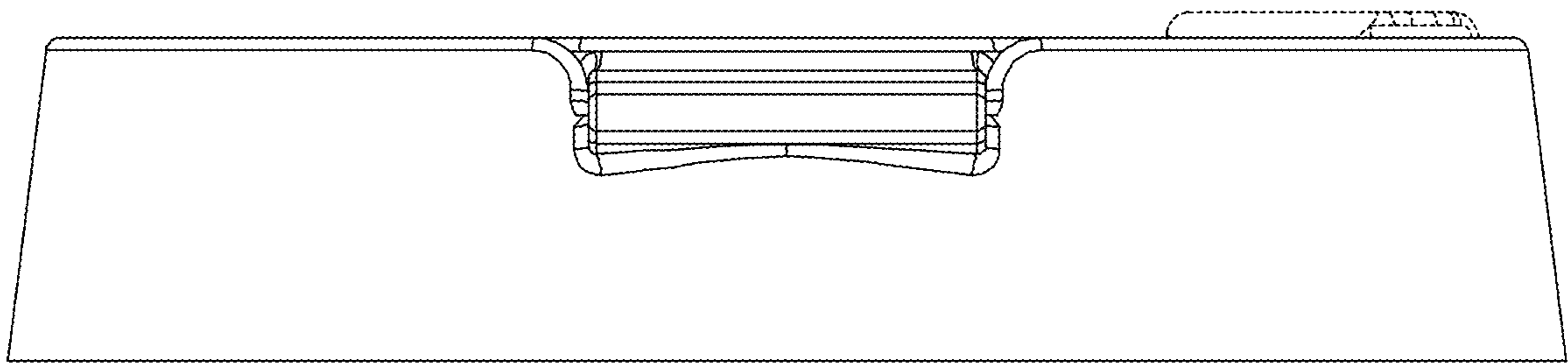


FIG. 5

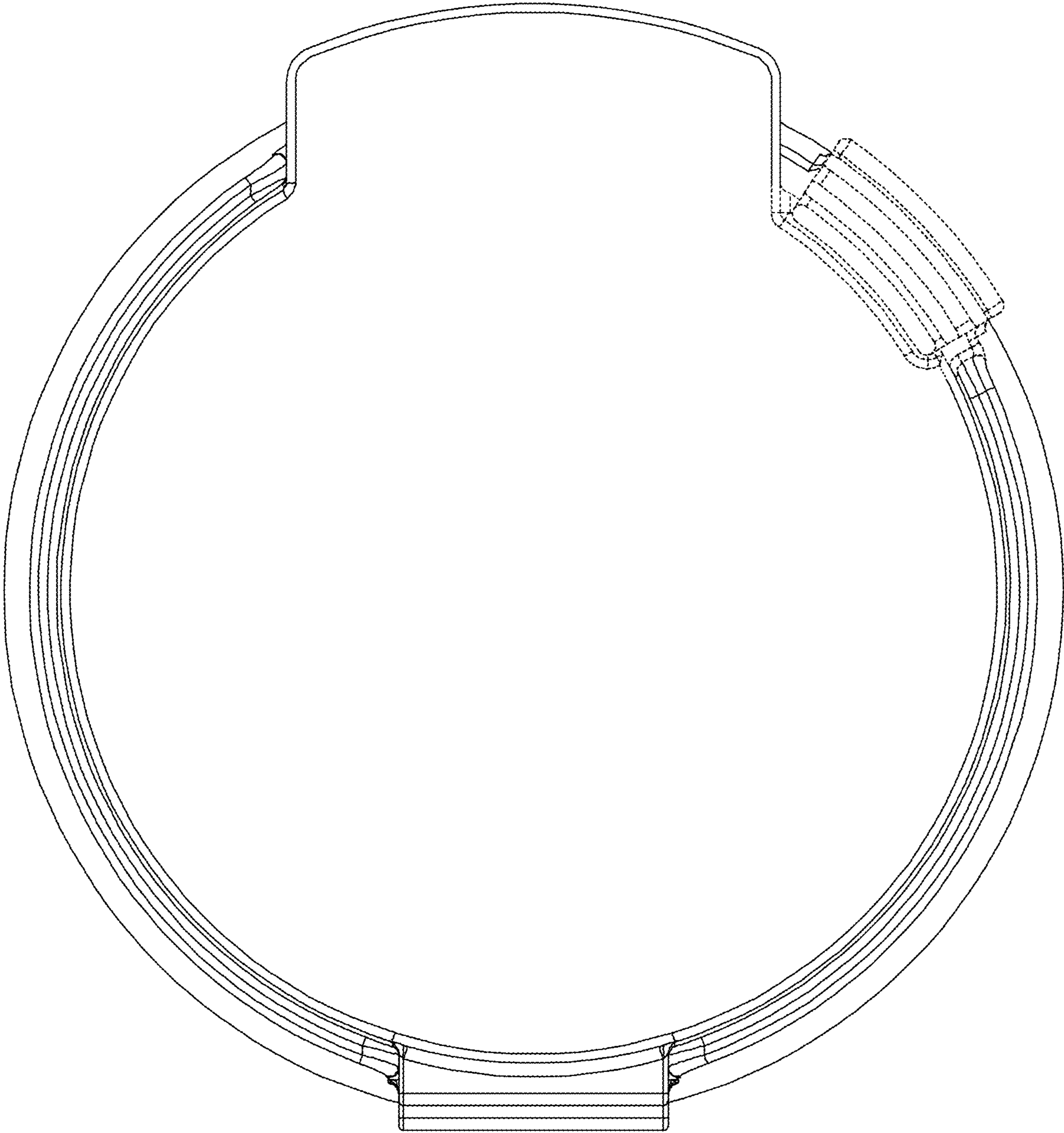


FIG. 6

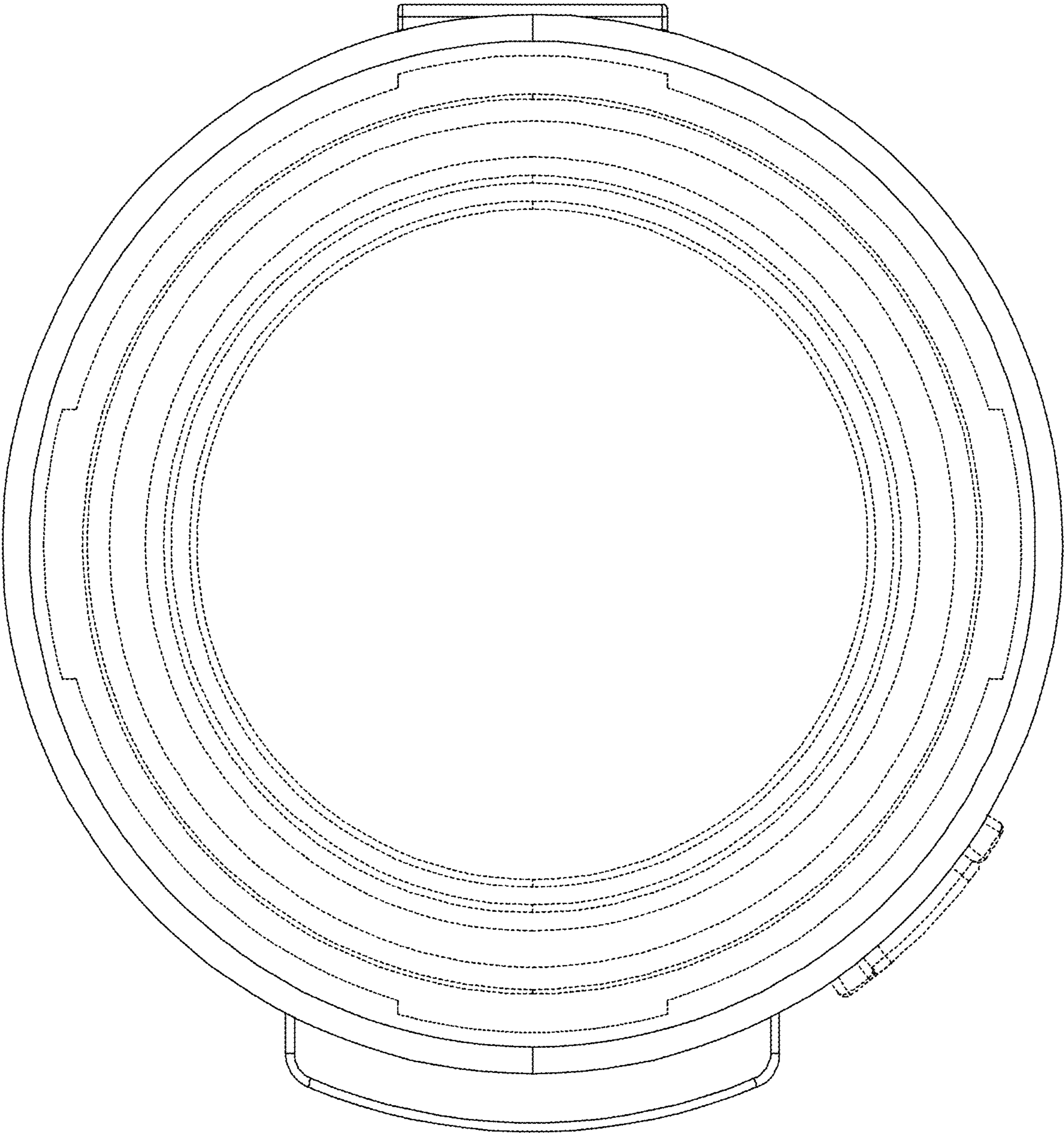


FIG. 7

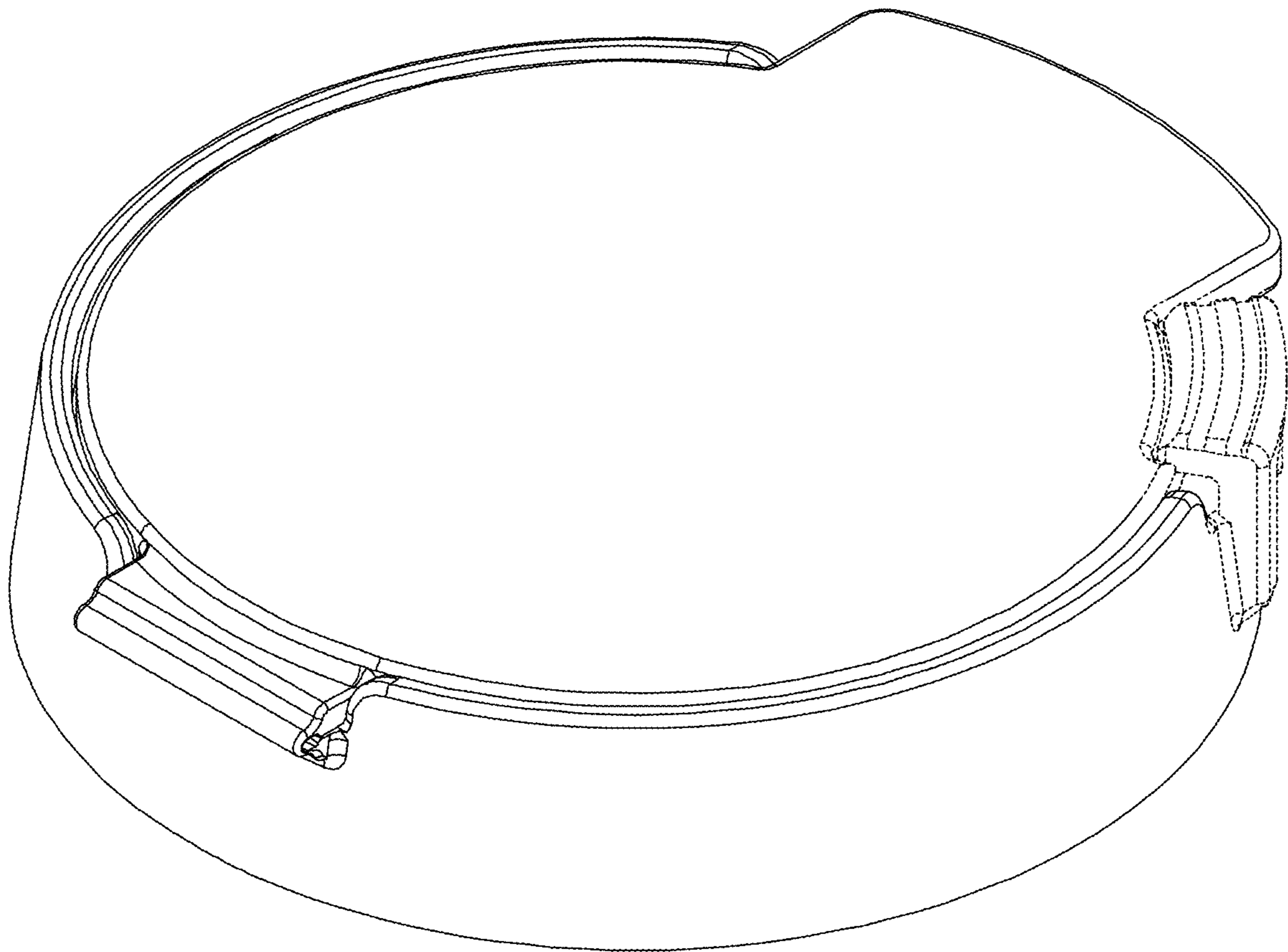


FIG. 8

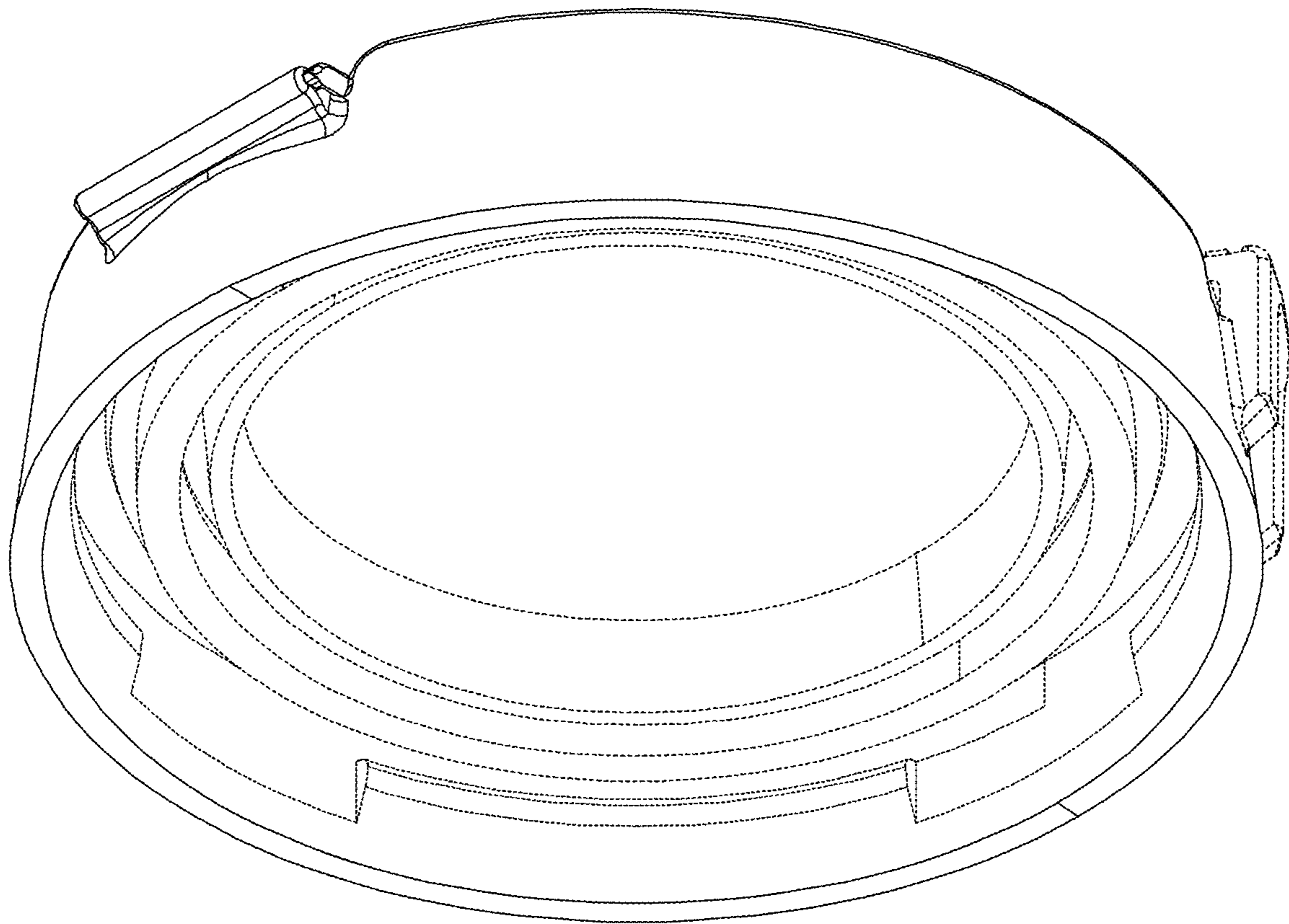


FIG. 9

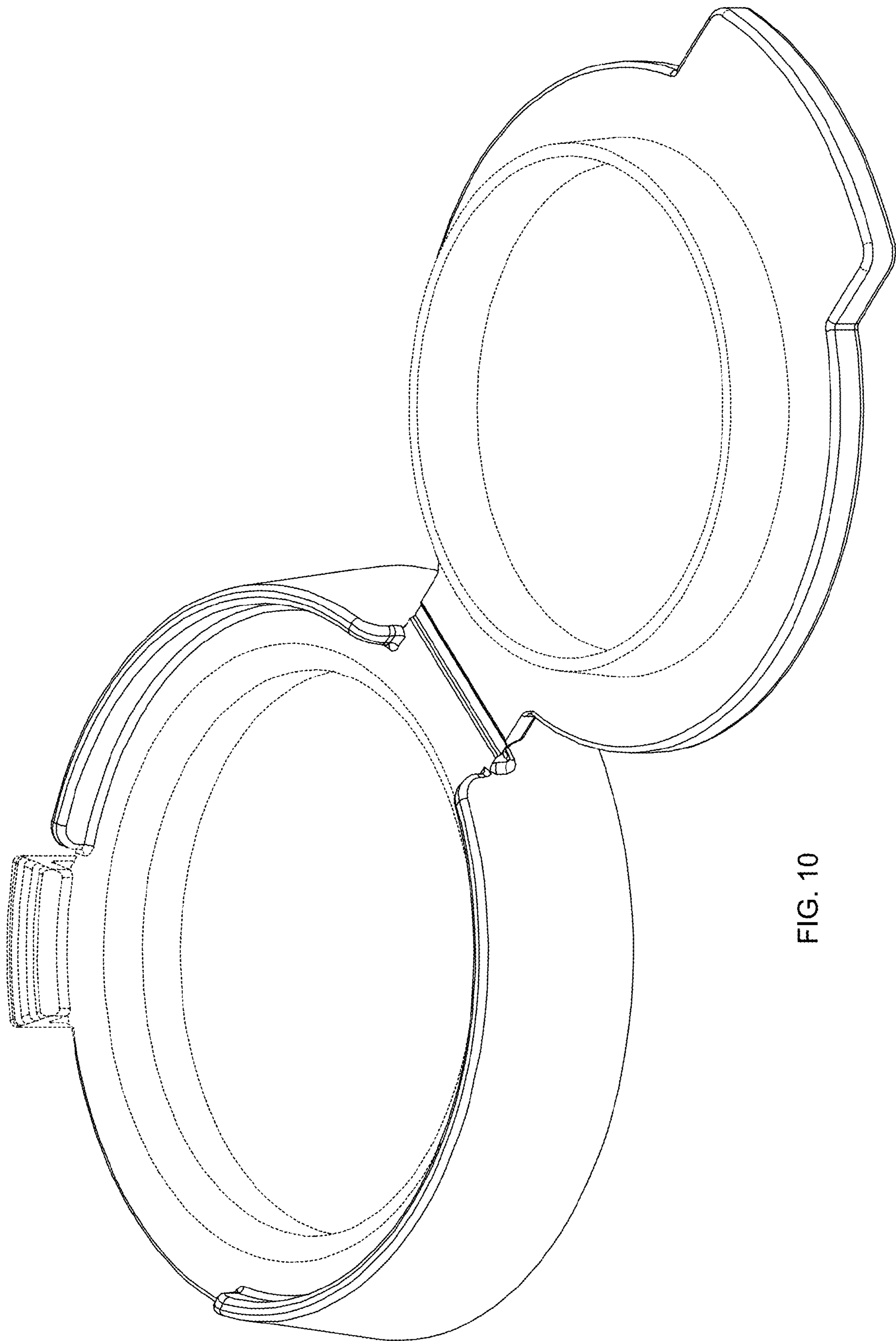


FIG. 10

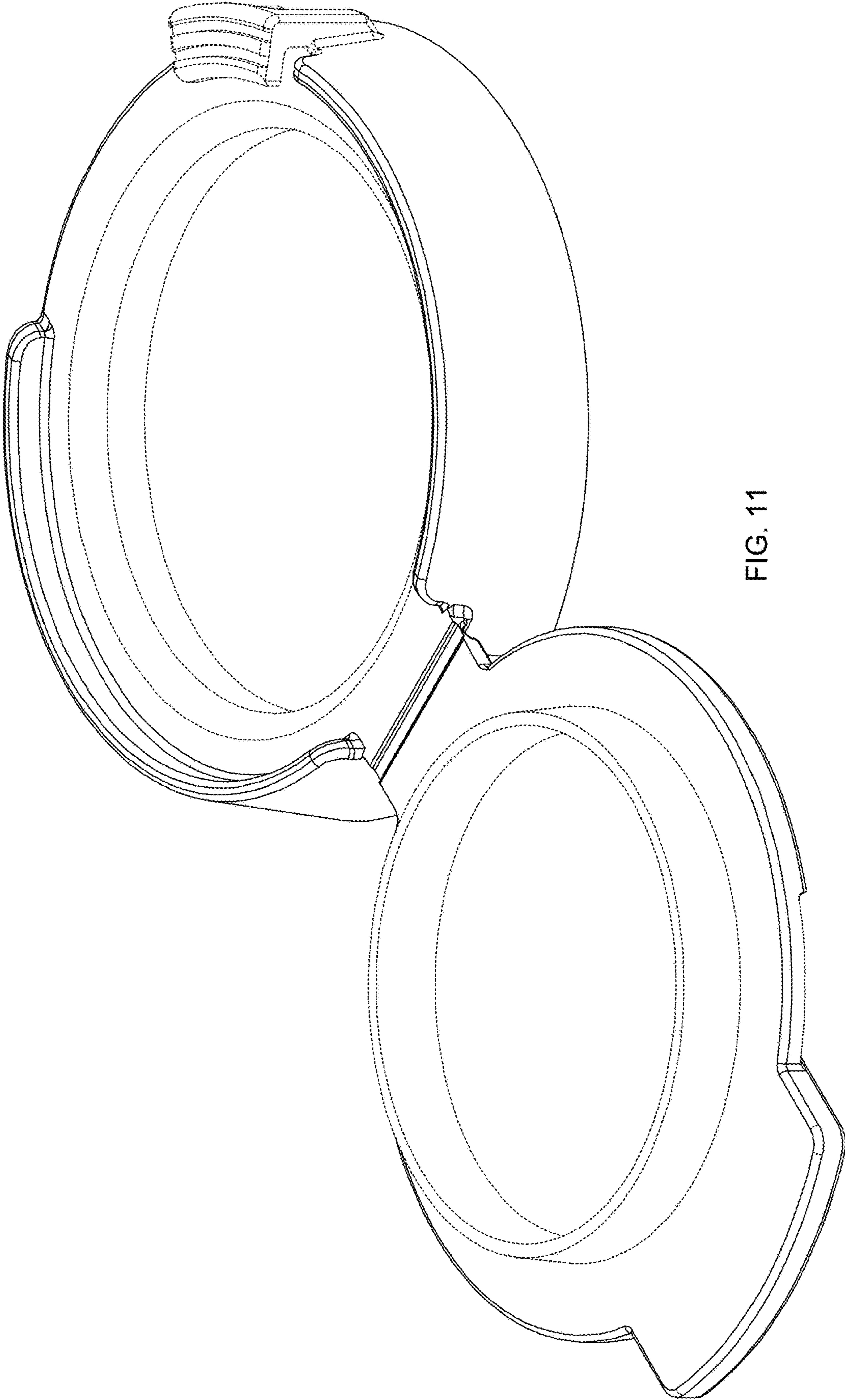


FIG. 11