



US00D984890S

(12) **United States Design Patent**
Zhong

(10) **Patent No.:** **US D984,890 S**

(45) **Date of Patent:** **** May 2, 2023**

(54) **JAR SEALER**

(71) Applicant: **Jifu Zhong**, Lianjiang (CN)

(72) Inventor: **Jifu Zhong**, Lianjiang (CN)

(**) Term: **15 Years**

(21) Appl. No.: **29/827,536**

(22) Filed: **Feb. 21, 2022**

(51) **LOC (14) Cl.** **09-07**

(52) **U.S. Cl.**
USPC **D9/436**

(58) **Field of Classification Search**
USPC D7/312, 313, 316, 387, 393, 396.1,
D7/396.2, 397, 398, 400; D9/434-442,
D9/446, 447, 451, 452, 453, 454;
D23/206, 209, 238, 249, 255, 259, 260,
D23/261, 265; D12/197
CPC A47J 31/0673; B65D 85/8046; B65D
2251/0015; B65D 2251/0071; B65D
2251/20; B65D 47/2031; A61J 1/2096;
A61J 1/2051; A61J 1/14
See application file for complete search history.

(56) **References Cited**

U.S. PATENT DOCUMENTS

D261,349 S *	10/1981	Ryser	D7/393
D298,506 S *	11/1988	Lee	D7/393
D306,960 S *	4/1990	Dricken	D7/393
4,913,304 A *	4/1990	Corey	B65D 51/20 220/246
D365,497 S *	12/1995	Gebhardt	D7/393
D365,964 S *	1/1996	Gebhardt	D7/393
5,662,247 A *	9/1997	Rapchak	B65D 51/18 222/153.07
5,680,965 A *	10/1997	Beck	B65D 47/243 222/525
D390,462 S *	2/1998	Mao	D9/454
D411,707 S *	6/1999	Horvat	D7/393
D422,912 S	4/2000	Hollinger		

6,253,942 B1 *	7/2001	Elias	B65D 41/0485 D9/451
D495,599 S *	9/2004	Biesecker	D7/391
D600,975 S *	9/2009	Lin	D7/397
D652,249 S *	1/2012	Munari	D7/393
D694,576 S *	12/2013	Meyer	D7/393
D714,145 S *	9/2014	Skaggs	D9/451
D760,022 S *	6/2016	Garvey	D7/397
D768,492 S *	10/2016	Kim	D9/434
D853,235 S *	7/2019	Yao	D7/392.1
D903,408 S *	12/2020	Massucco	D9/453
D907,955 S *	1/2021	Massucco	D9/453
D935,835 S *	11/2021	Marsden	D7/300.1

(Continued)

OTHER PUBLICATIONS

Food Saver Jar Sealer: Announced (Sep. 1, 2015 (online). Site Visited (Jul. 25, 2022). Available from Internet URL: <https://www.amazon.com/FoodSaver-FCARWJAH-000-Wide-Mouth-Regular-Accessory/dp/B016OL1AB6>.*

(Continued)

Primary Examiner — Catherine S Posthauer

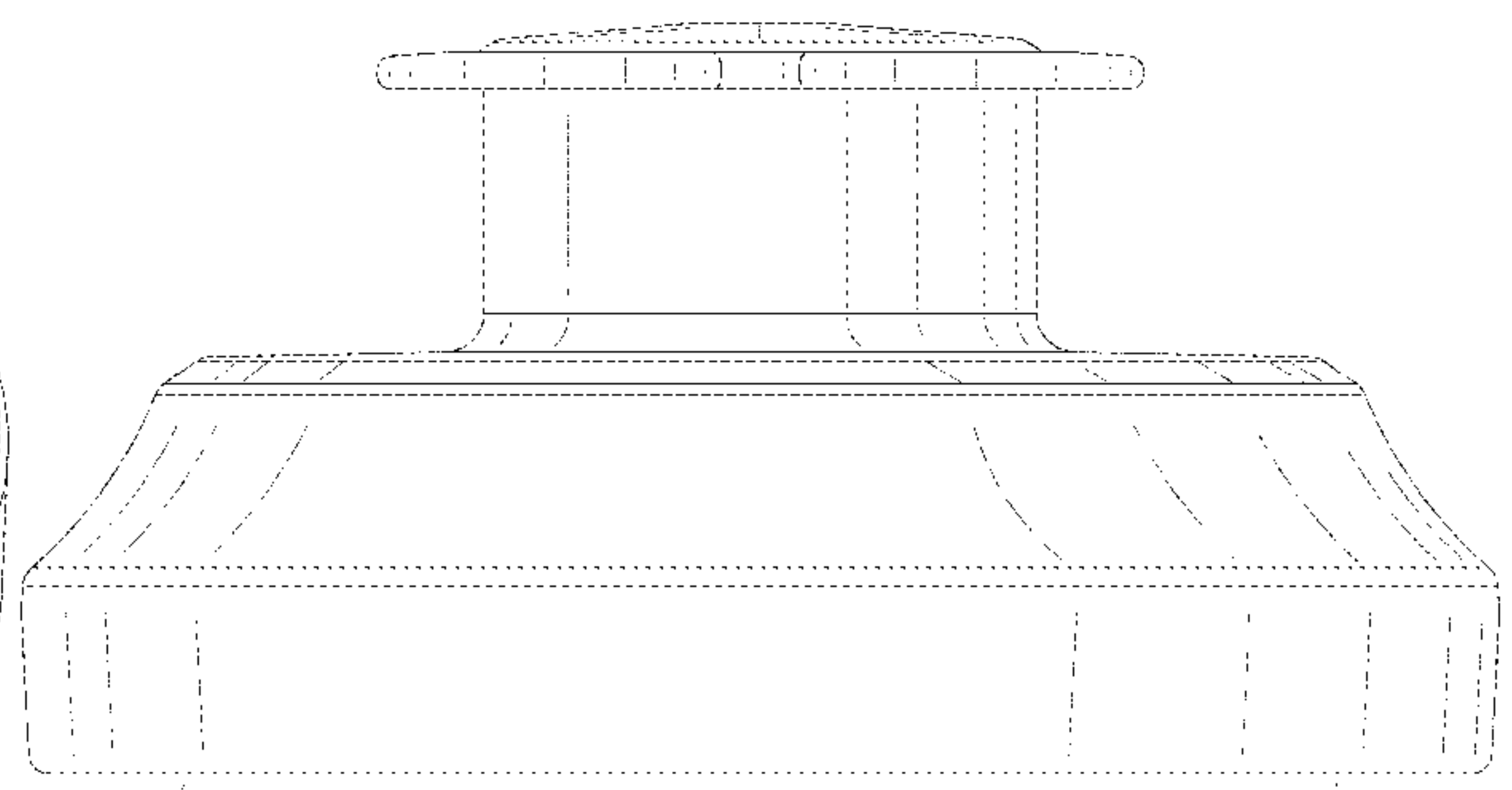
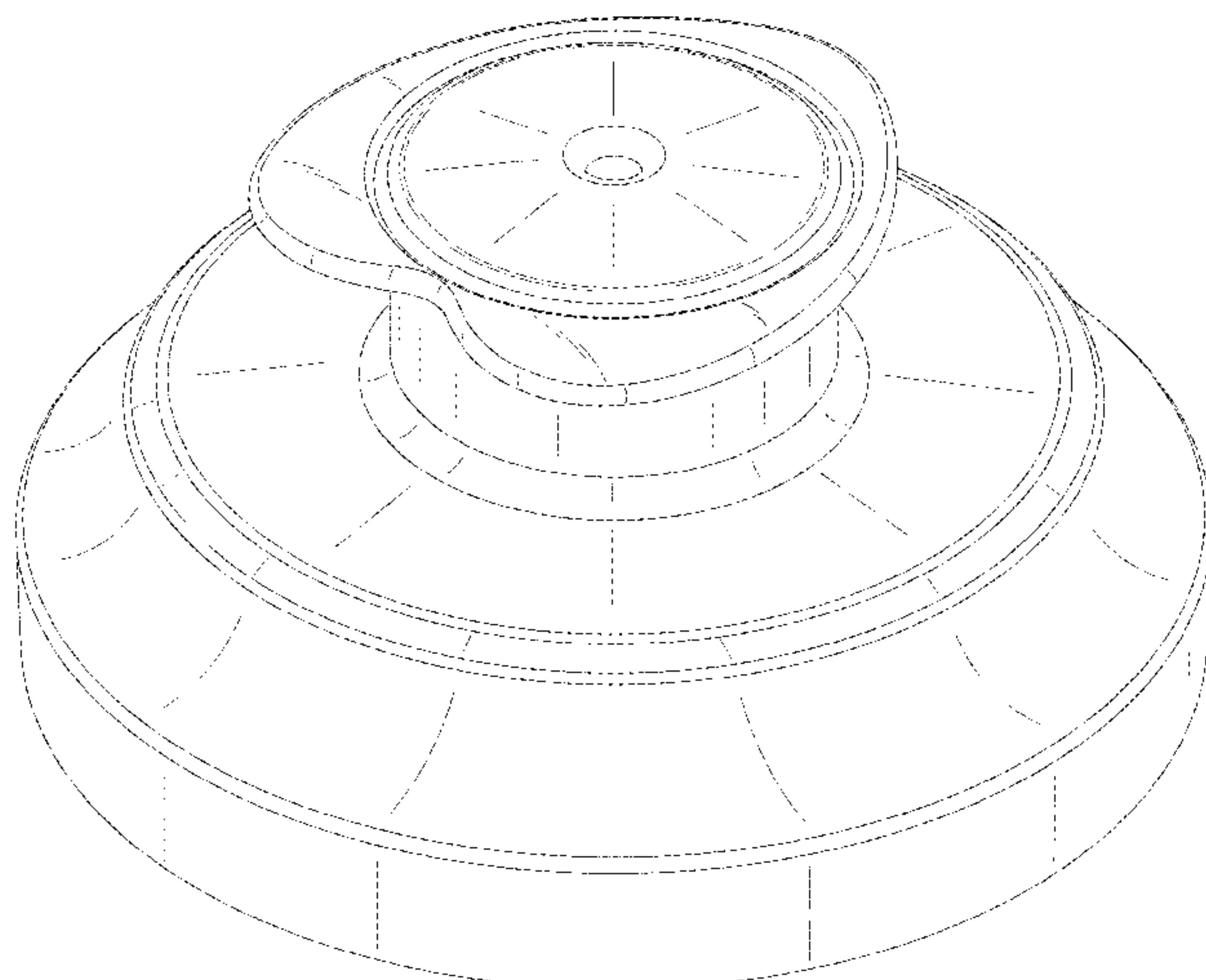
(57) **CLAIM**

The ornamental design for jar sealer, substantially as shown and described.

DESCRIPTION

FIG. 1 is a front perspective view of jar sealer, showing my new design;
FIG. 2 is a front view thereof;
FIG. 3 is a rear view thereof;
FIG. 4 is a left side view thereof;
FIG. 5 is a right side view thereof;
FIG. 6 is a top view thereof; and,
FIG. 7 is a bottom view thereof.
The broken lines are shown for the purpose of illustrating parts of the article that form no part of the claimed design.

1 Claim, 7 Drawing Sheets



(56)

References Cited

U.S. PATENT DOCUMENTS

D938,556 S * 12/2021 Zhang D23/260
D954,497 S * 6/2022 Roberts D7/392.1

OTHER PUBLICATIONS

FoodSaver Jar Sealing Kit with Wide-Mouth Jar Sealer: Announced February 21, 2020 (online). Site Visited (Jul. 25, 2022). Available from Internet URL: https://www.foodsaver.com/parts-accessories/jar-bottle-sealers/foodsaver-jar-sealing-kit-with-wide-mouth-jar-sealer-regular-jar-sealer-and-accessory-hose-white/SAP_FCARWJAH000.html.*

* cited by examiner

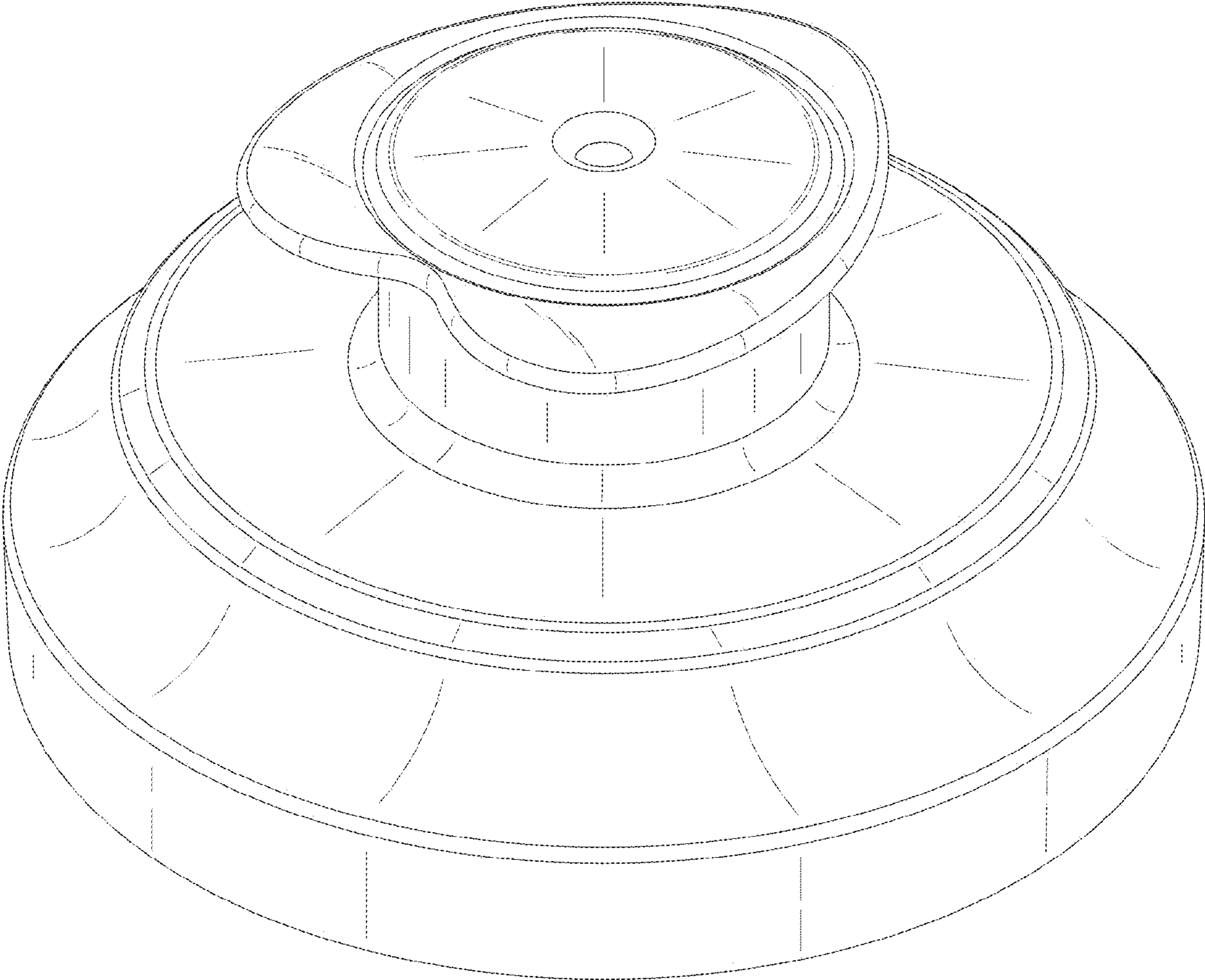


FIG. 1

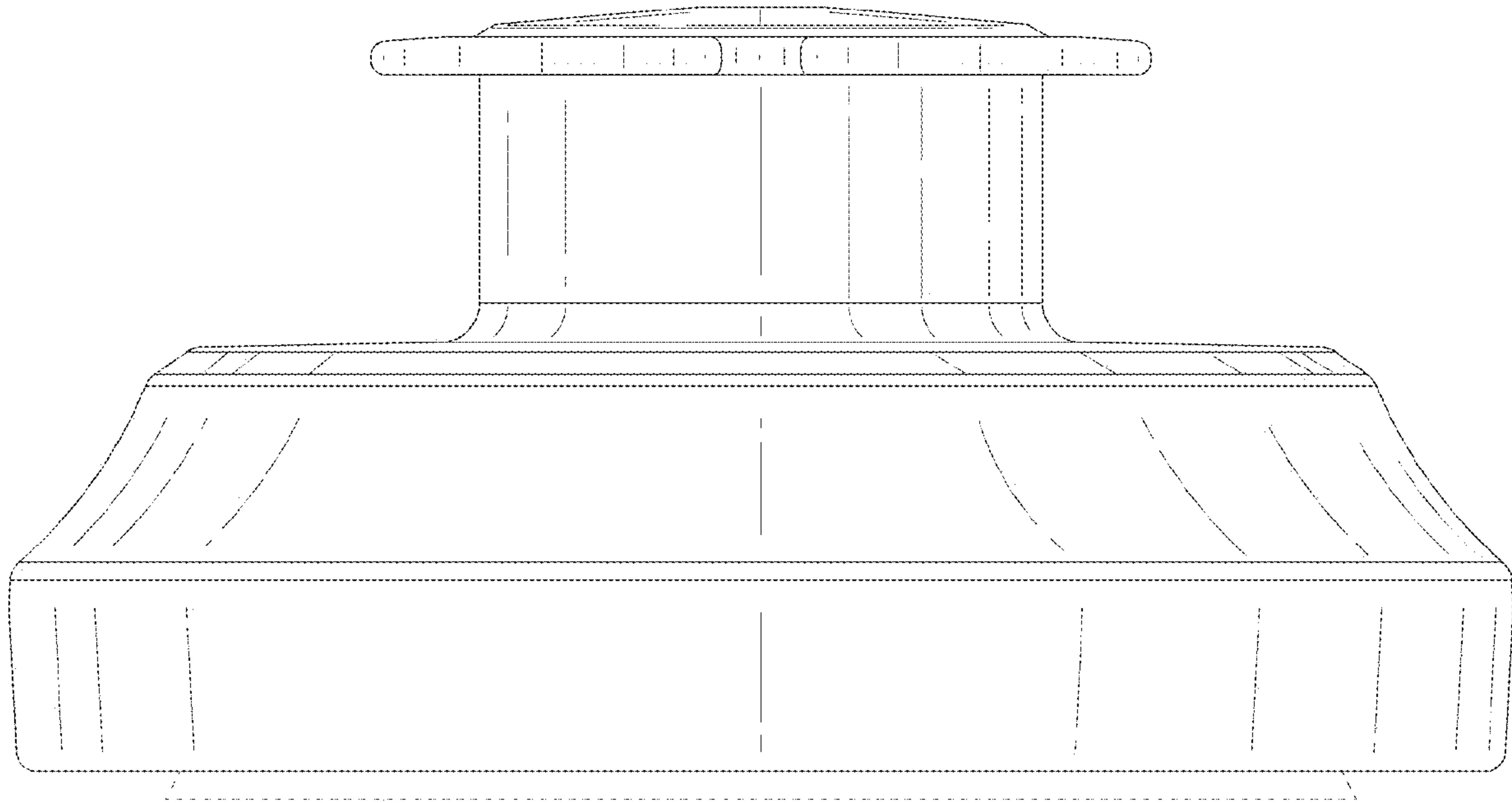


FIG. 2

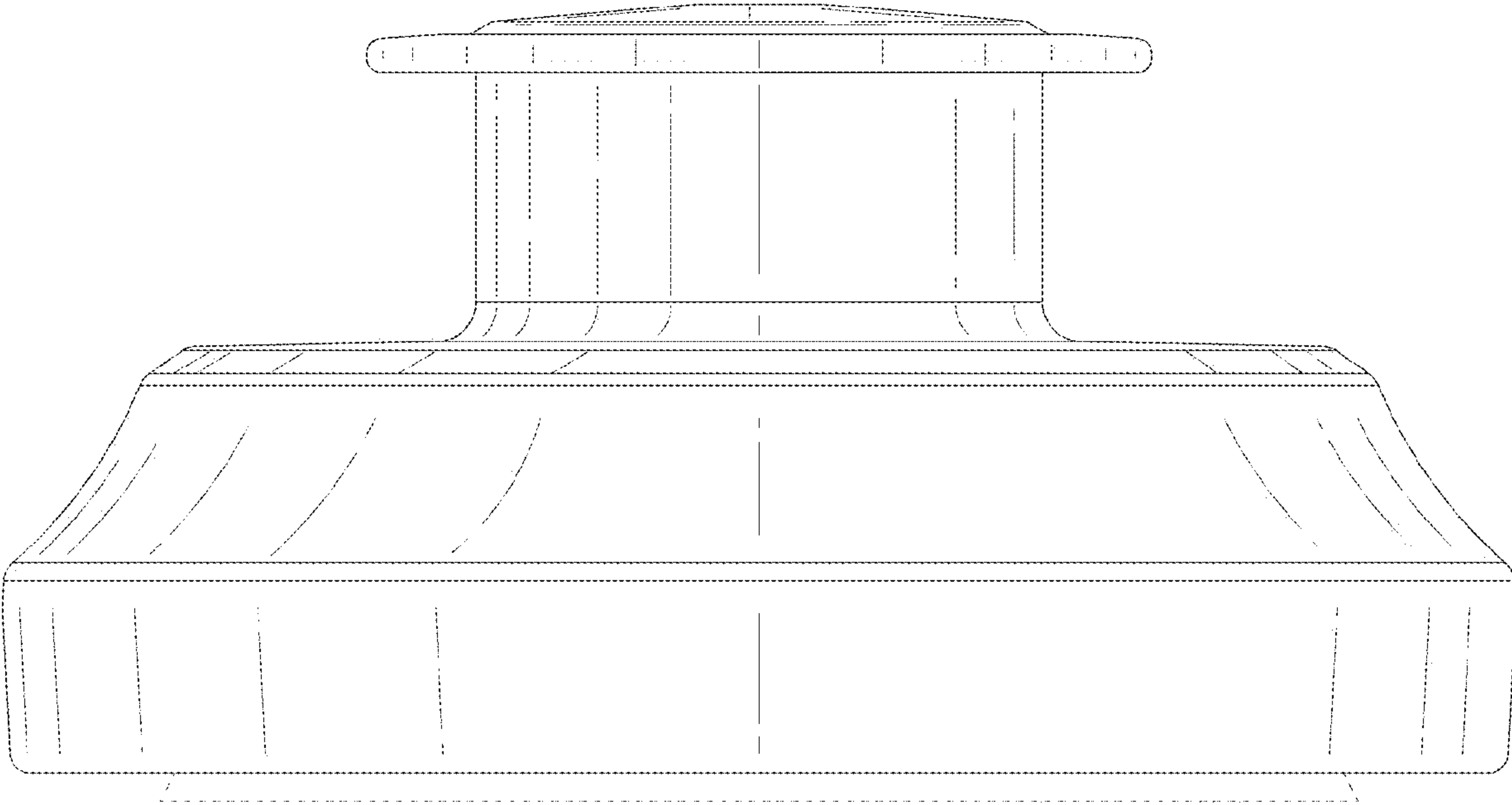


FIG. 3

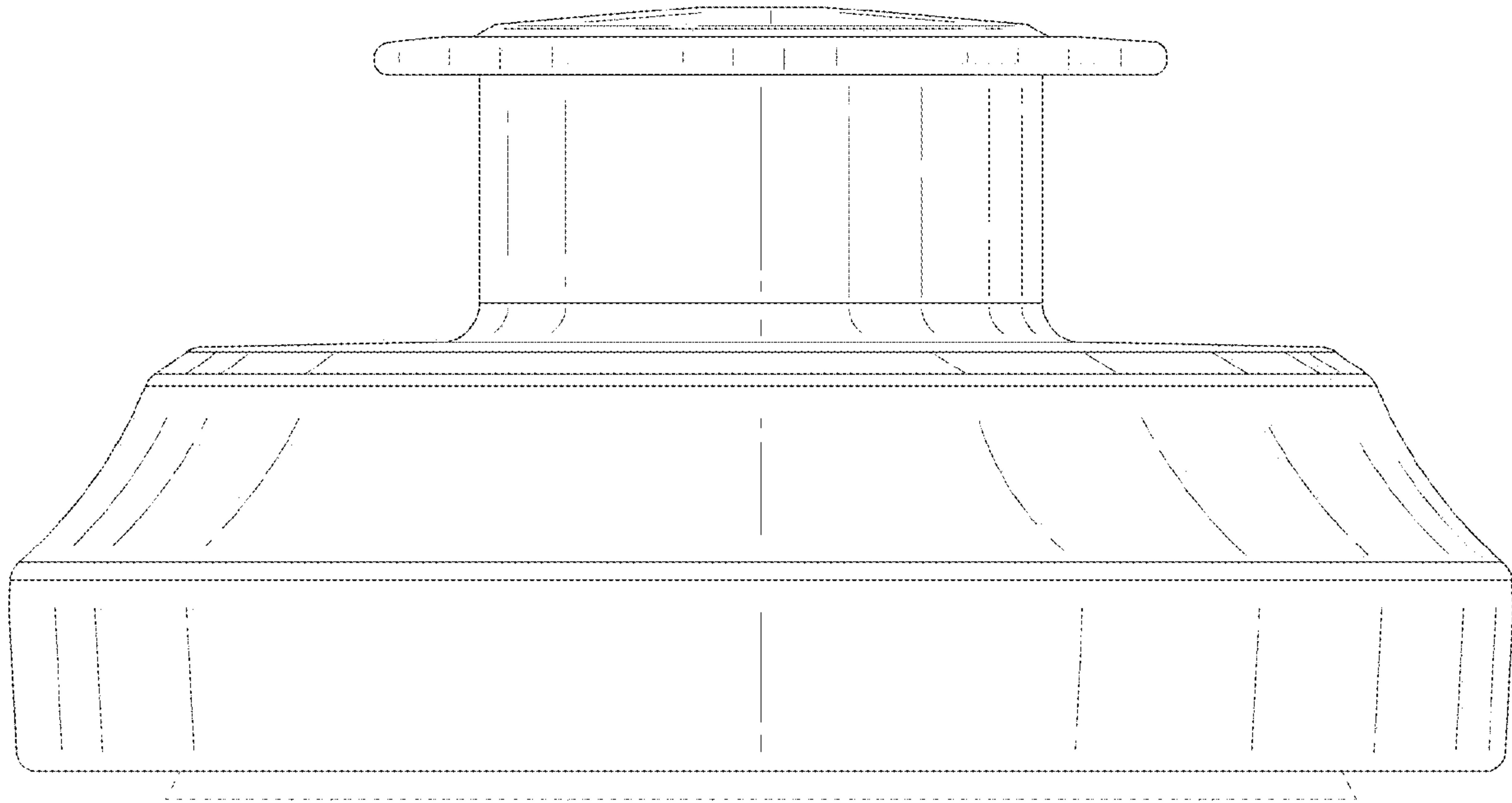


FIG. 4

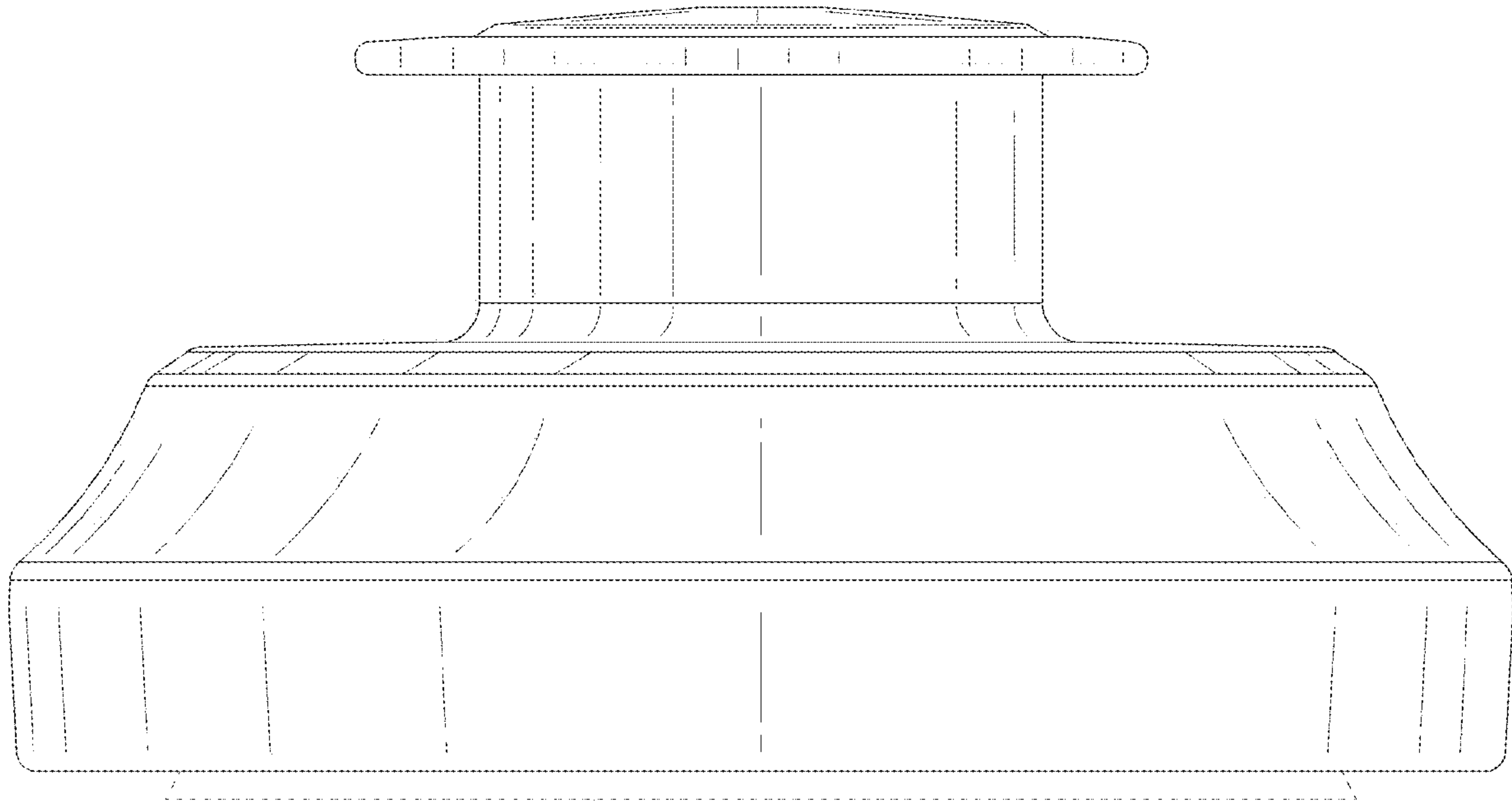


FIG. 5

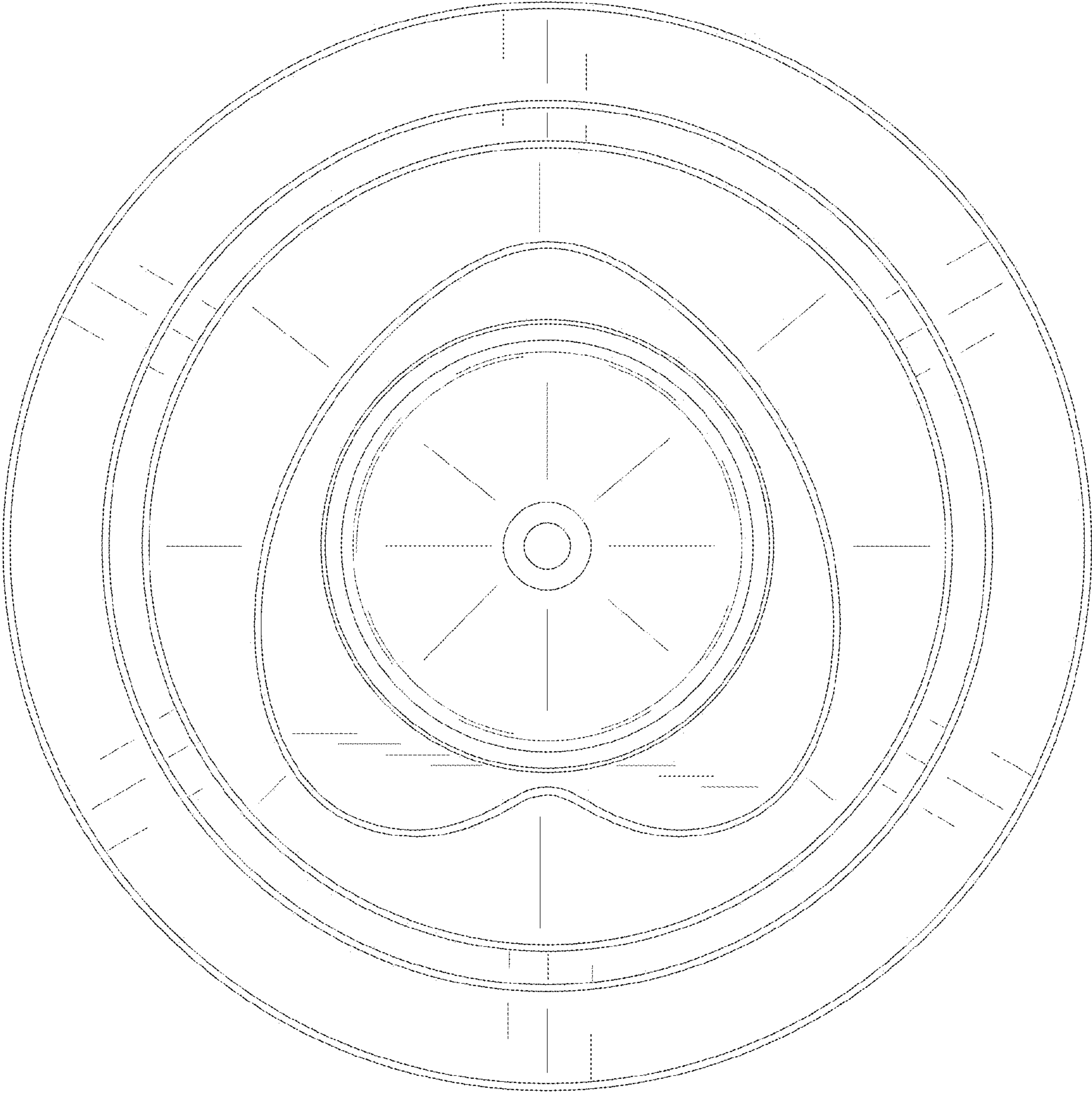


FIG. 6

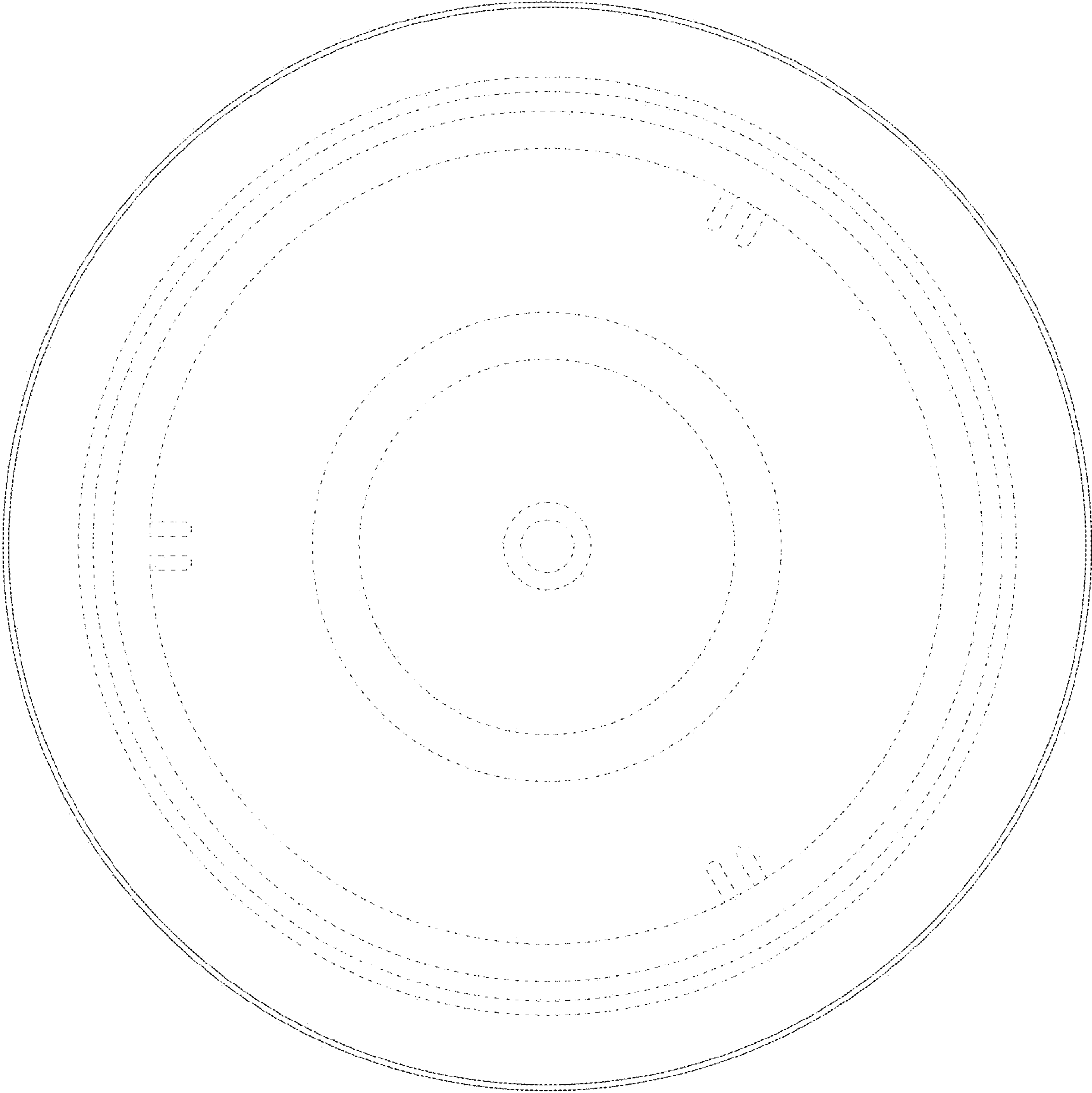


FIG. 7