



US00D984889S

(12) **United States Design Patent** (10) **Patent No.:** **US D984,889 S**
Patel et al. (45) **Date of Patent:** **** May 2, 2023**

(54) **METAL AND POLYMERIC CONTAINER LID**

(71) Applicant: **American Snuff Company, LLC**,
Memphis, TN (US)

(72) Inventors: **Pankaj Patel**, Clemmons, NC (US);
Margaret Brennan Wilson,
Winston-Salem, NC (US); **James**
Demopoulos, Durham, NC (US); **Craig**
M. Ressler, North Aurora, IL (US);
Nicholas Punzel, Janesville, WI (US);
Michael K. Basak, Belvidere, IL (US);
Jason W. Ludewig, Rockford, IL (US);
Walt Pietruch, Belvidere, IL (US)

(73) Assignee: **AMERICAN SNUFF COMPANY,**
LLC, Memphis, TN (US)

(**) Term: **15 Years**

(21) Appl. No.: **29/737,467**

(22) Filed: **Jun. 9, 2020**

(51) **LOC (14) Cl.** **09-07**

(52) **U.S. Cl.**
USPC **D9/454; D9/443**

(58) **Field of Classification Search**
USPC D7/392.1, 396.2; D9/434-436, 454, 499,
D9/443; D27/172, 183, 186, 189,
D27/190-193

(Continued)

(56) **References Cited**

U.S. PATENT DOCUMENTS

3,090,537 A * 5/1963 Pasciak B65D 51/1611
D9/443

D212,843 S * 12/1968 Hart D9/452
(Continued)

OTHER PUBLICATIONS

Youtube. New Grizzly Big Can Review! (2020)—chrisdips1. Oct.
15, 2020. <https://www.youtube.com/watch?v=X8ySAFSWw-g> (Year:
2020).*

(Continued)

Primary Examiner — Darcey E Gottschalk

(74) *Attorney, Agent, or Firm* — Womble Bond Dickinson
(US) LLP

(57) **CLAIM**

The ornamental design for a metal and polymeric container
lid, as shown and described.

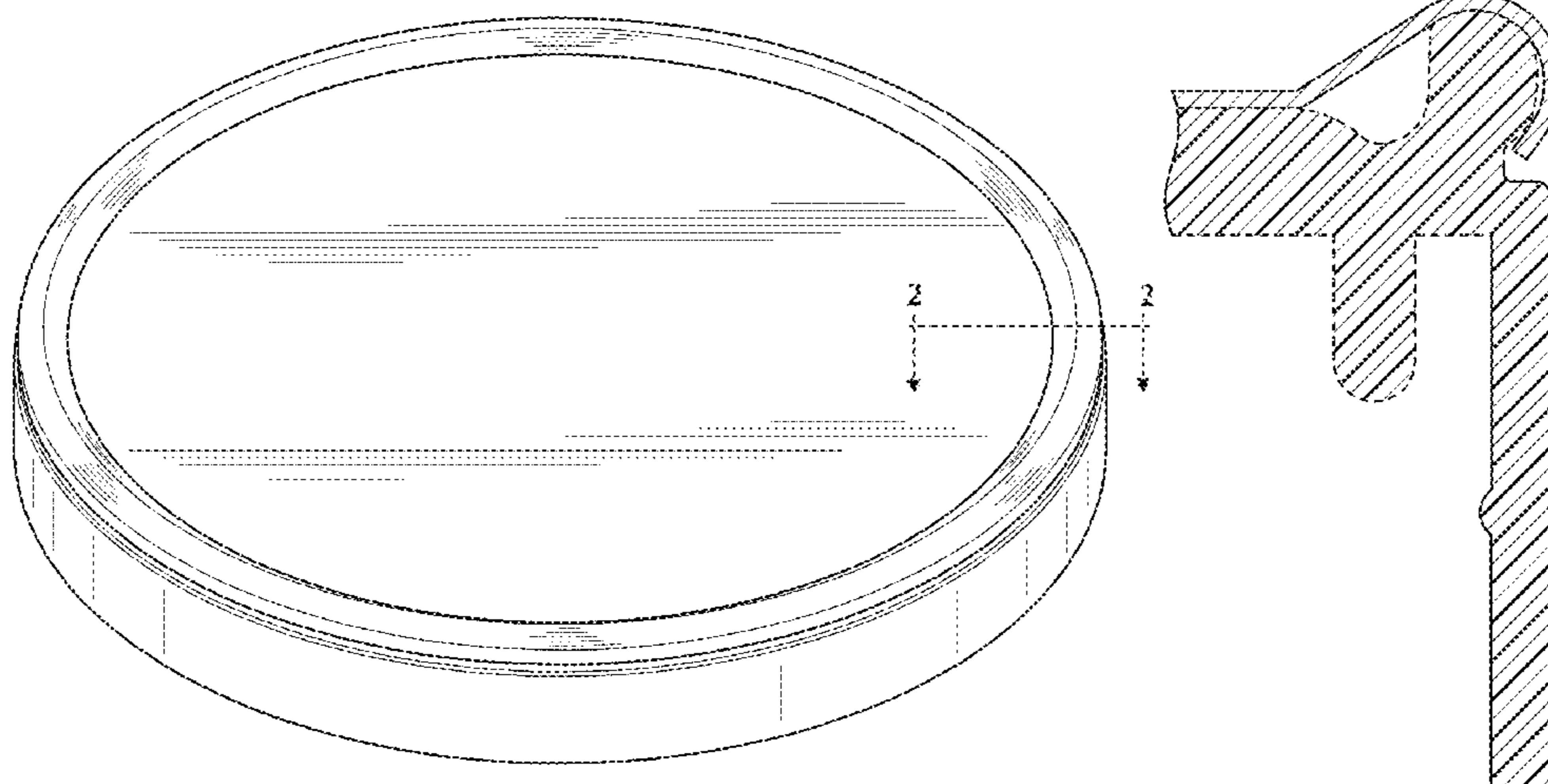
DESCRIPTION

FIG. 1 is top perspective view of an embodiment of a
container lid showing our new design;
FIG. 2 is a partial cross-sectional view of the container lid
taken in the direction of line 2-2 of FIG. 1;
FIG. 3 is a top plan view of the container lid;
FIG. 4 is an elevational view of a side of the container lid,
all side views of the container lid being substantially iden-
tical;
FIG. 5 is a bottom perspective view of the container lid;
FIG. 6 is a bottom plan view of the container lid;
FIG. 7 is top perspective view of another embodiment of a
container lid showing our new design;
FIG. 8 is a partial cross-sectional view of the container lid
taken in the direction of line 8-8 of FIG. 7;
FIG. 9 is a top plan view of the container lid;
FIG. 10 is an elevational view of a side of the container lid,
all side views of the container lid being substantially iden-
tical;
FIG. 11 is a bottom perspective view of the container lid;
and,
FIG. 12 is a bottom plan view of the container lid.

In FIG. 1 and FIG. 7, the broken line arrows represent
sectional designations that form no part of the claim.

The broken lines shown herein depict portions of the metal
and polymeric container lid that form no part of the claimed
design. For clarity, the alternating heavy and light line
crosshatching in the partial cross-sectional views is used to
illustrate the polymeric material components, and the con-
sistent light line crosshatching in the partial cross-sectional
views is used to illustrate the metal material components,
which forms a part of the claimed design.

1 Claim, 12 Drawing Sheets



(58) **Field of Classification Search**
 CPC ... A24F 23/00; B65D 43/0212; B65D 50/043;
 B65D 53/04; B65D 2215/00; B65D
 2543/00092
 See application file for complete search history.

(56) **References Cited**

U.S. PATENT DOCUMENTS

3,480,177 A * 11/1969 Elliot B65D 43/0212
 206/509
 D251,827 S * 5/1979 Commisso D7/392.1
 D281,758 S * 12/1985 Trombly D7/629
 D286,026 S * 10/1986 Rayner D9/435
 4,732,288 A * 3/1988 Morris, Sr. B65D 50/045
 215/214
 D526,564 S * 8/2006 Slavin D9/454
 D535,880 S * 1/2007 Penfold D9/454
 D584,152 S * 1/2009 VerWeyst D9/454
 D609,568 S * 2/2010 Mazurkiewicz D9/449
 D731,239 S * 6/2015 Rothfield D7/392.1
 9,717,272 B2 * 8/2017 Patel B65D 81/26
 D871,834 S * 1/2020 Sarnoff D7/392.1

10,526,115 B1 * 1/2020 Hawry B65D 1/165
 10,548,347 B2 * 2/2020 Playford A24F 23/00
 D897,849 S * 10/2020 Hawry D9/503
 D944,643 S * 3/2022 D'Amato D9/435
 D946,399 S * 3/2022 Whincup D9/438
 D947,675 S * 4/2022 Yamada D9/454
 D957,938 S * 7/2022 Noh D9/454
 D963,479 S * 9/2022 Whincup D9/454
 D968,960 S * 11/2022 Whincup D9/438
 2009/0230003 A1 * 9/2009 Thiellier B65D 25/205
 206/265
 2015/0136618 A1 * 5/2015 Patel B65D 81/22
 206/0.5

OTHER PUBLICATIONS

The Wall Street Journal. Altria Investigating Whether Recalled Tobacco Products Were Tampered With—Jennifer Maloney. Feb. 3, 2017. <https://www.wsj.com/articles/altria-investigating-whether-recalled-tobacco-products-were-tampered-with-1486152476> (Year: 2017).*

* cited by examiner

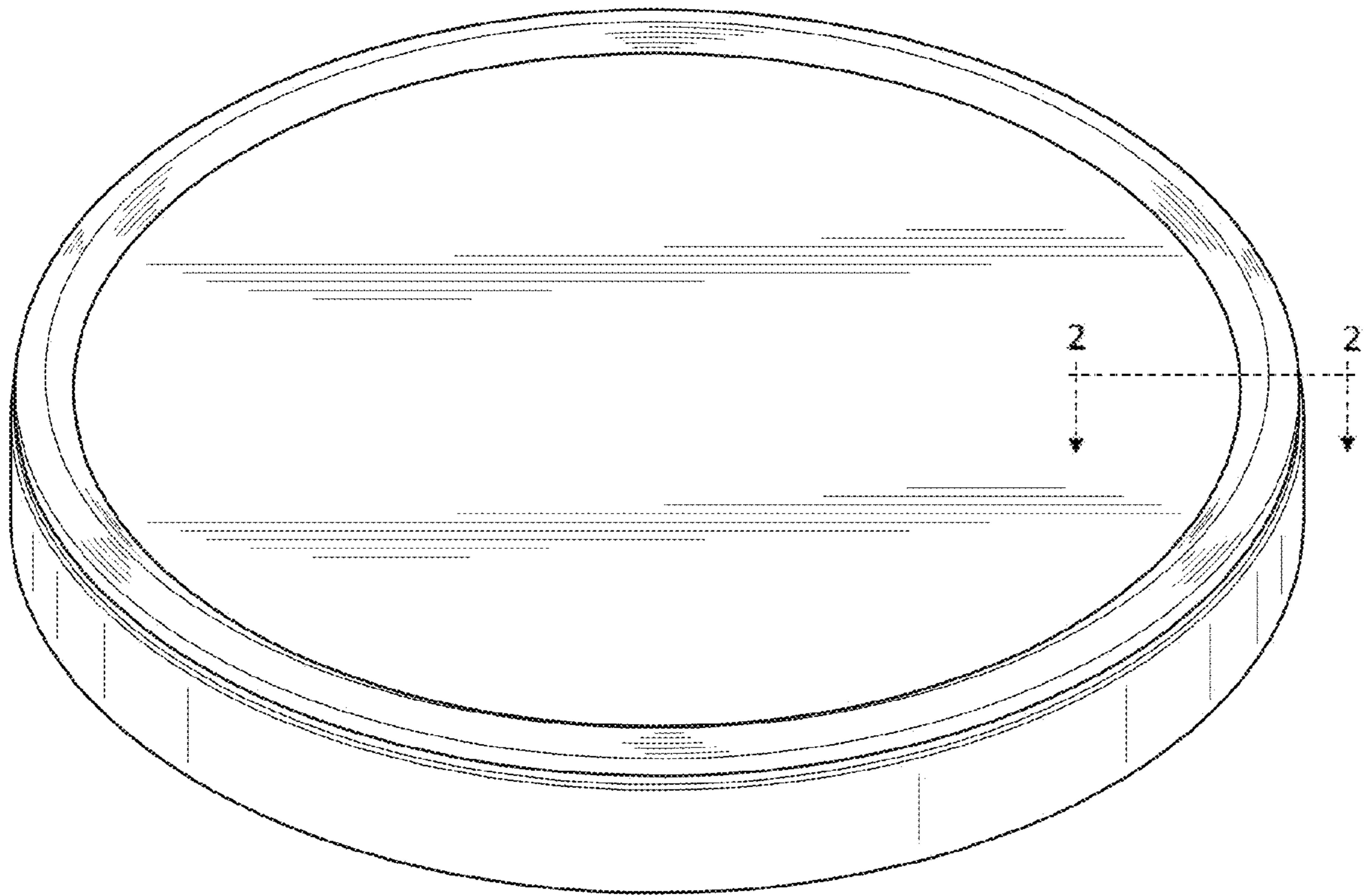


FIG. 1

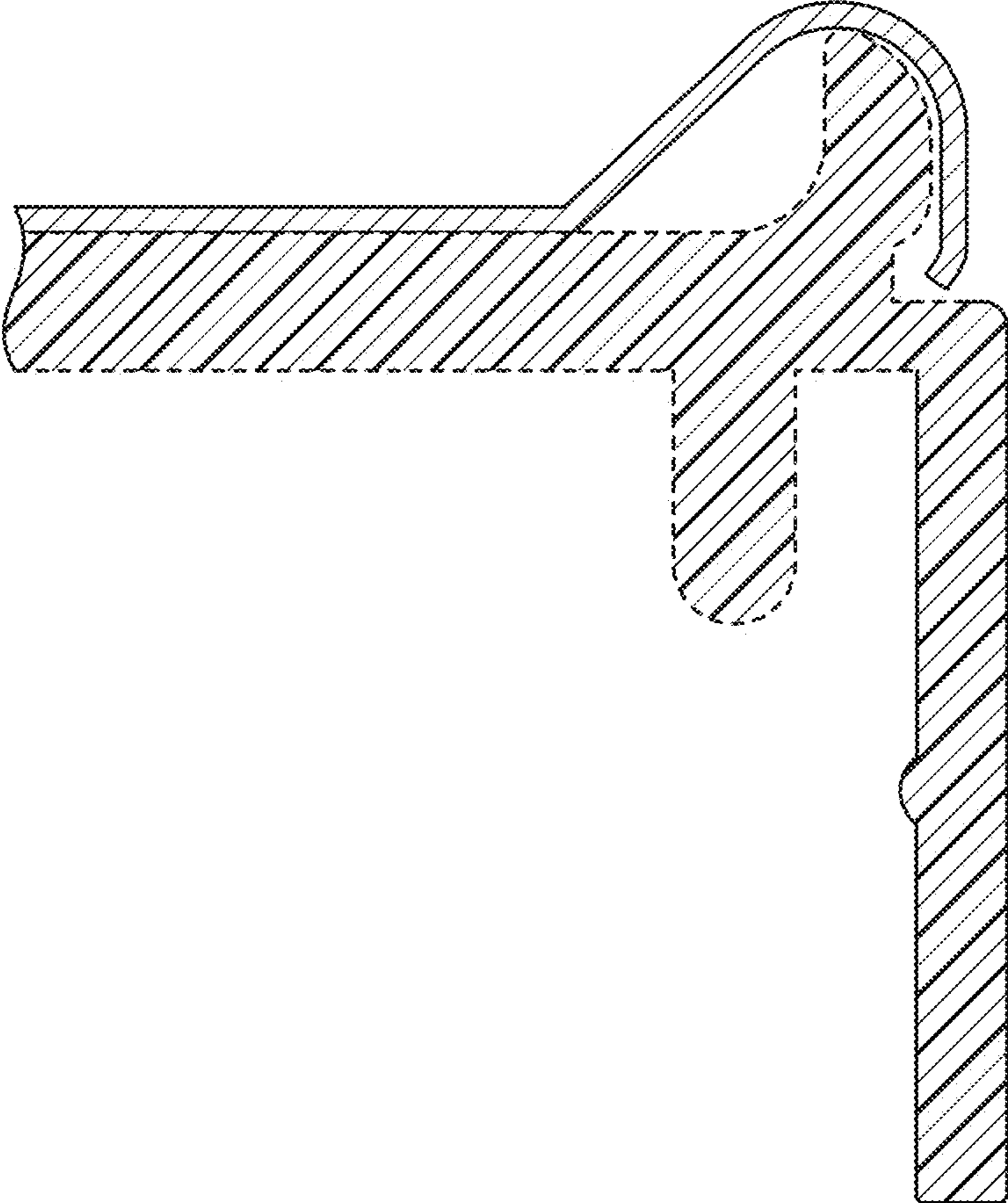


FIG. 2

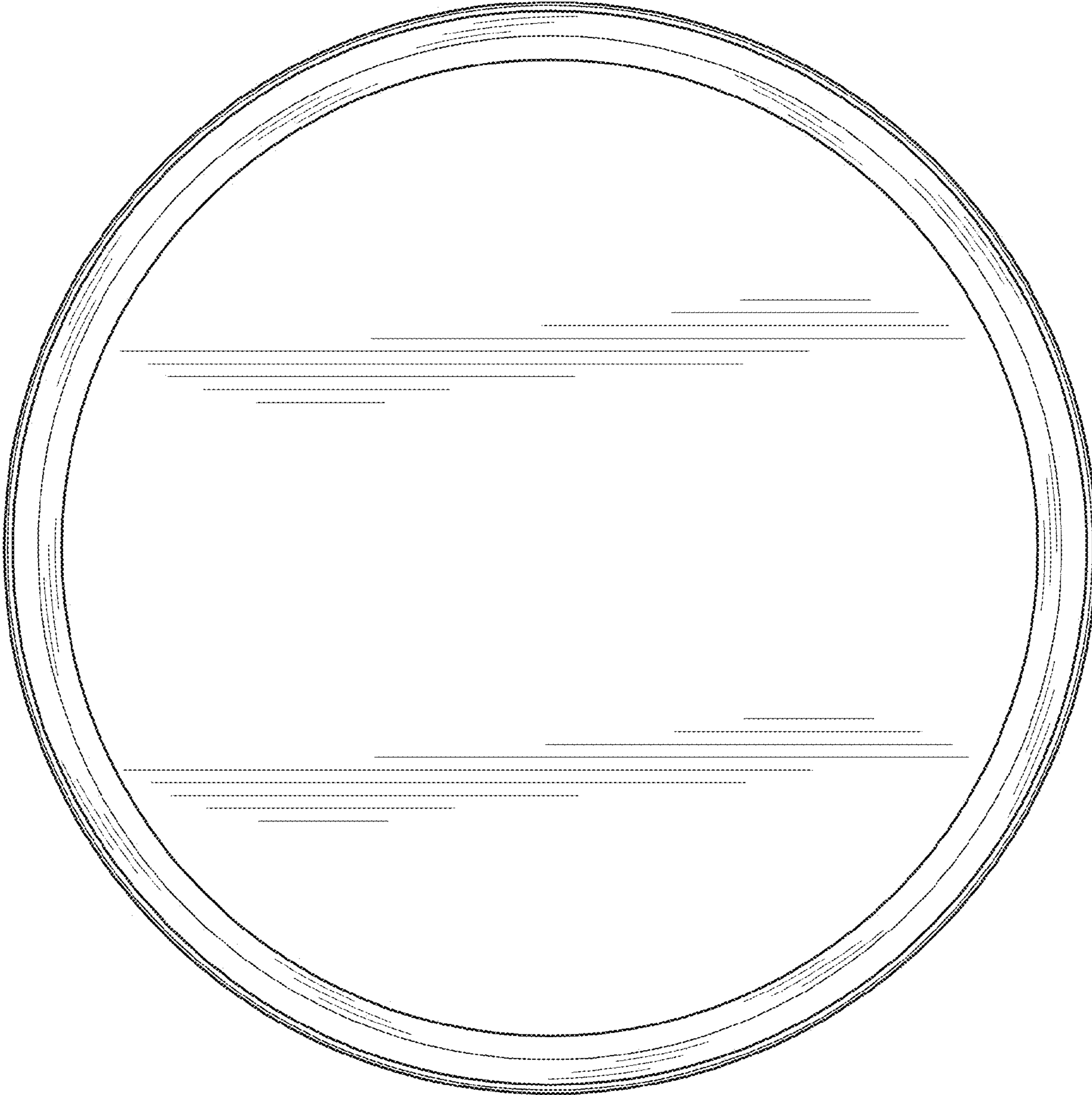


FIG. 3

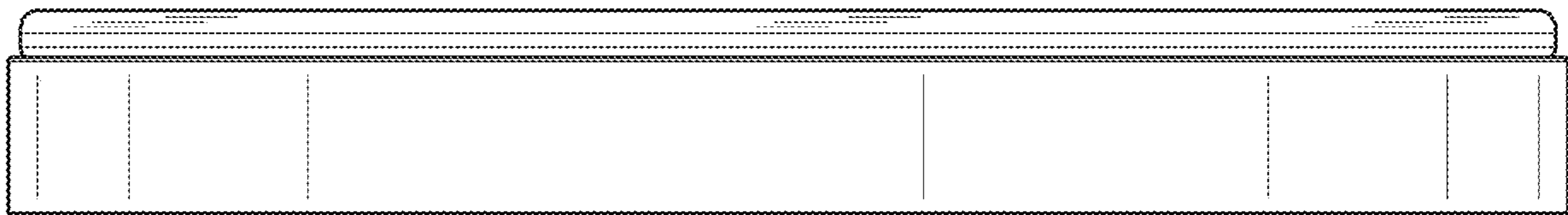


FIG. 4

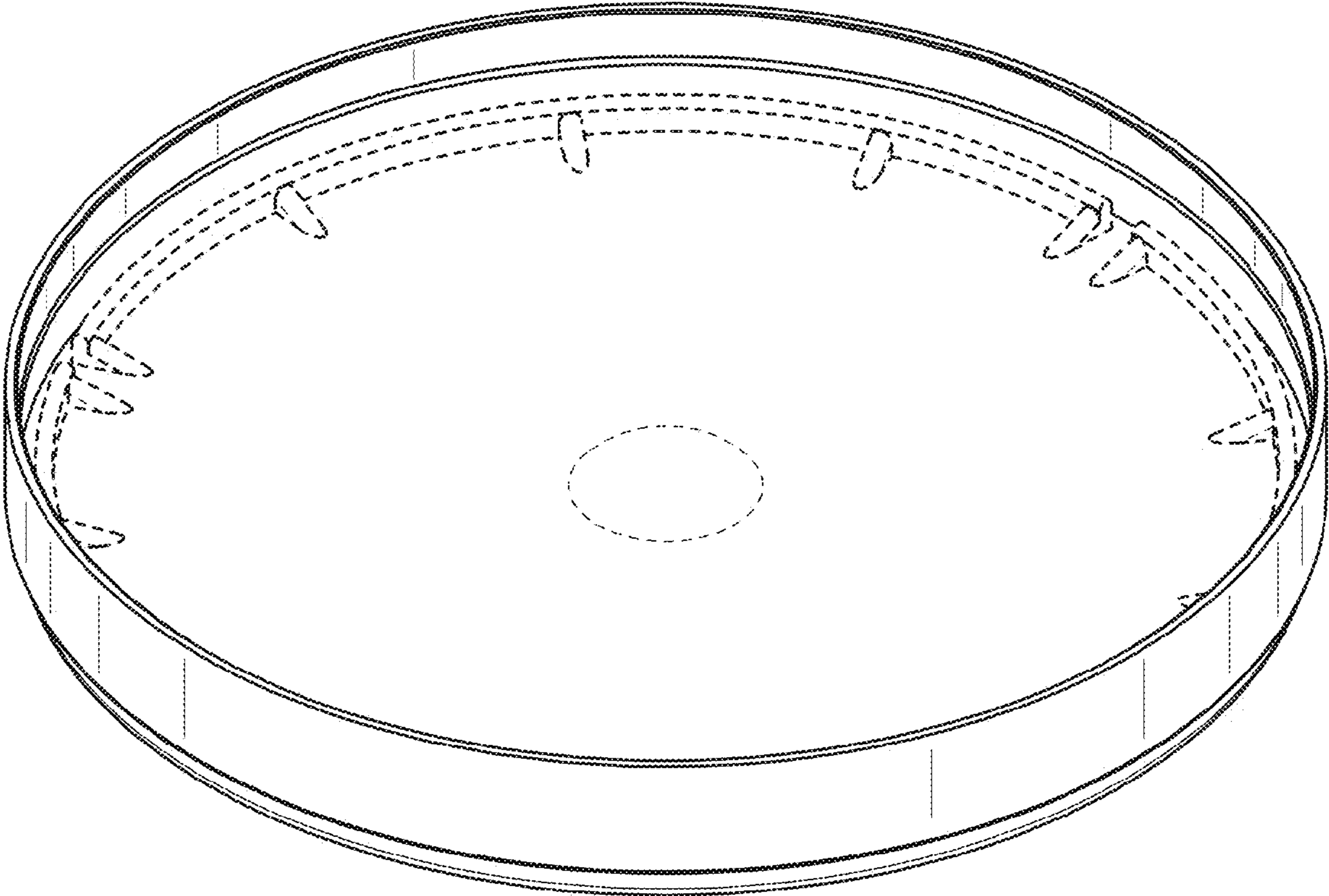


FIG. 5

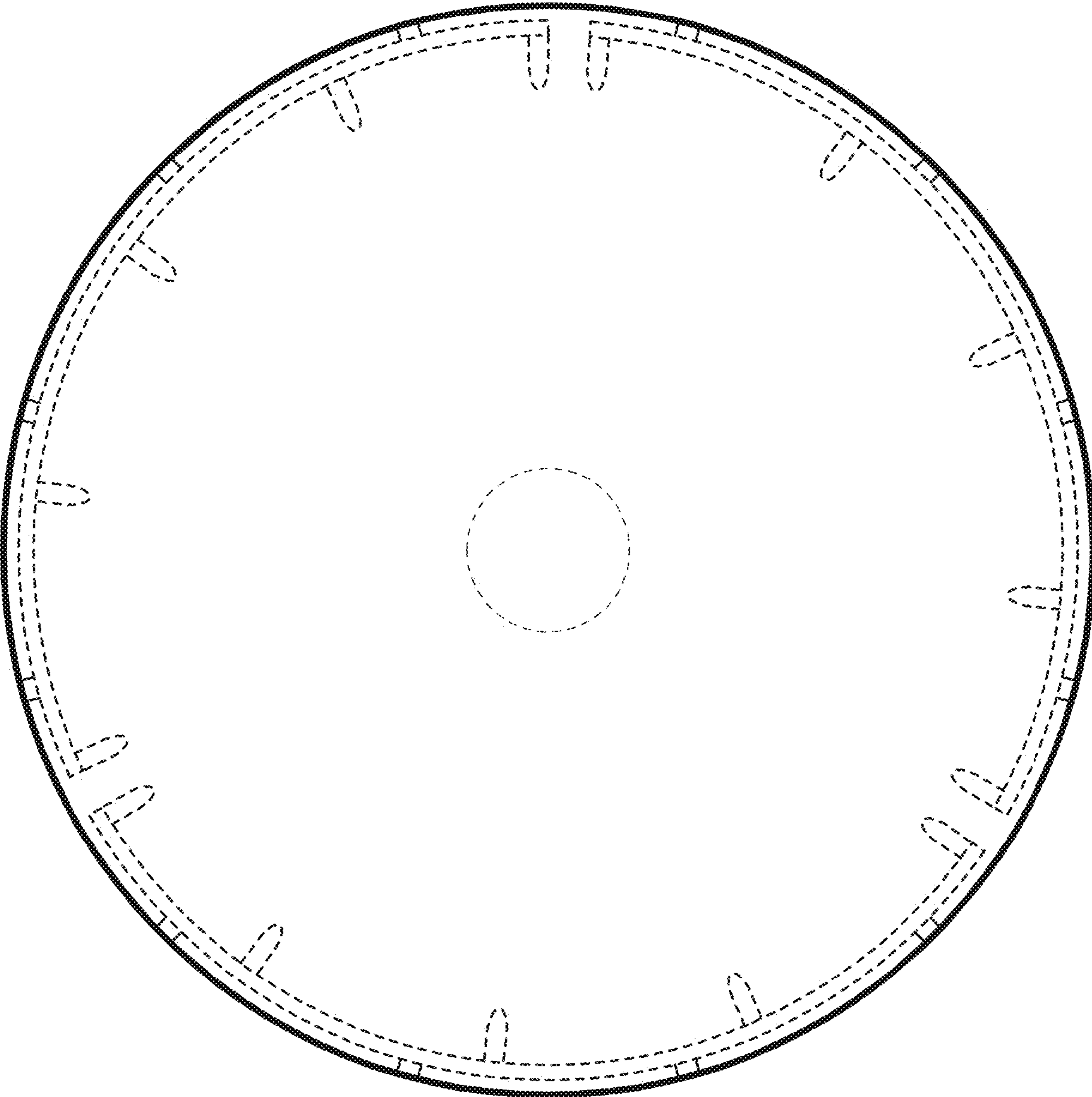


FIG. 6

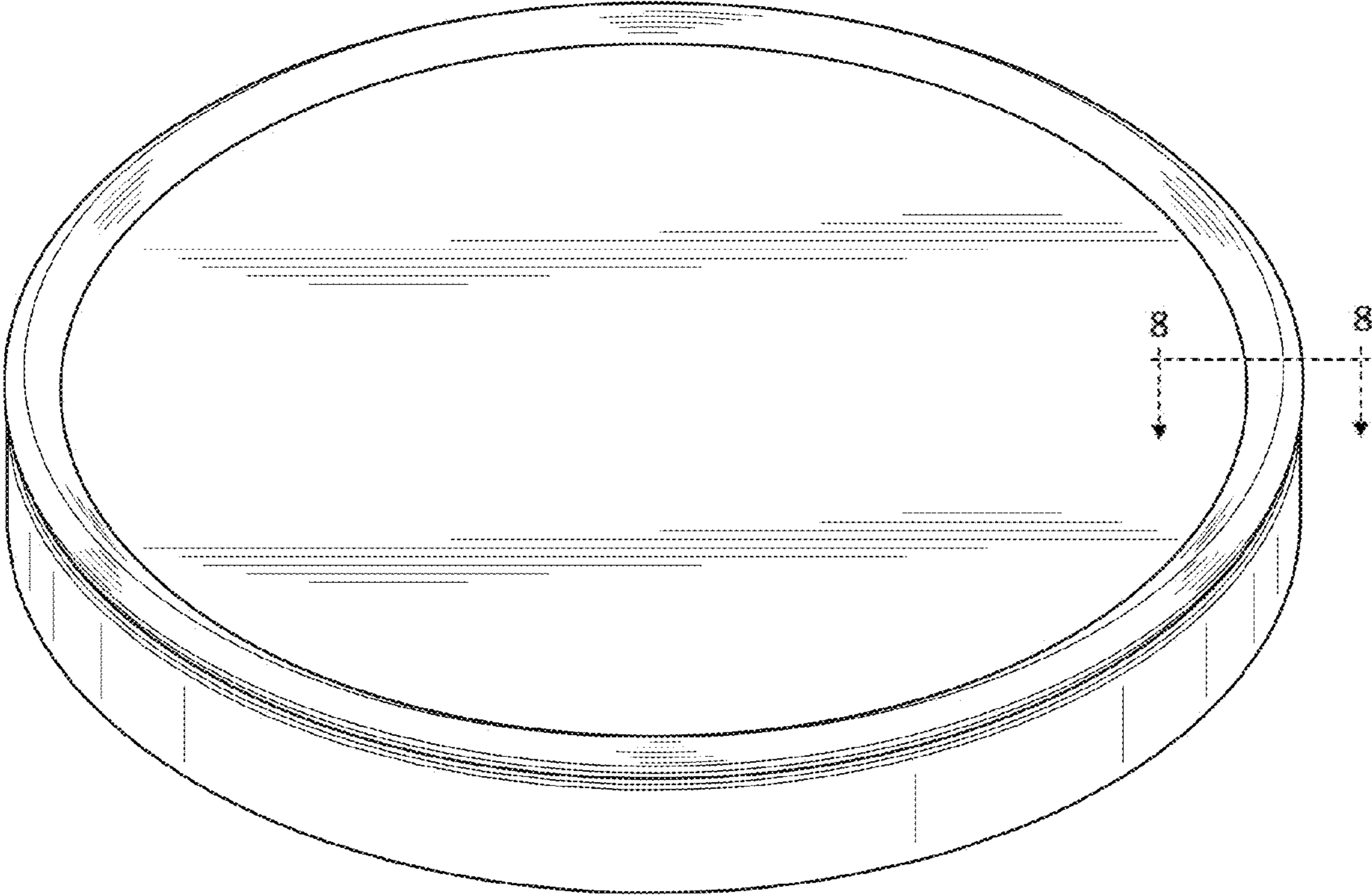


FIG. 7

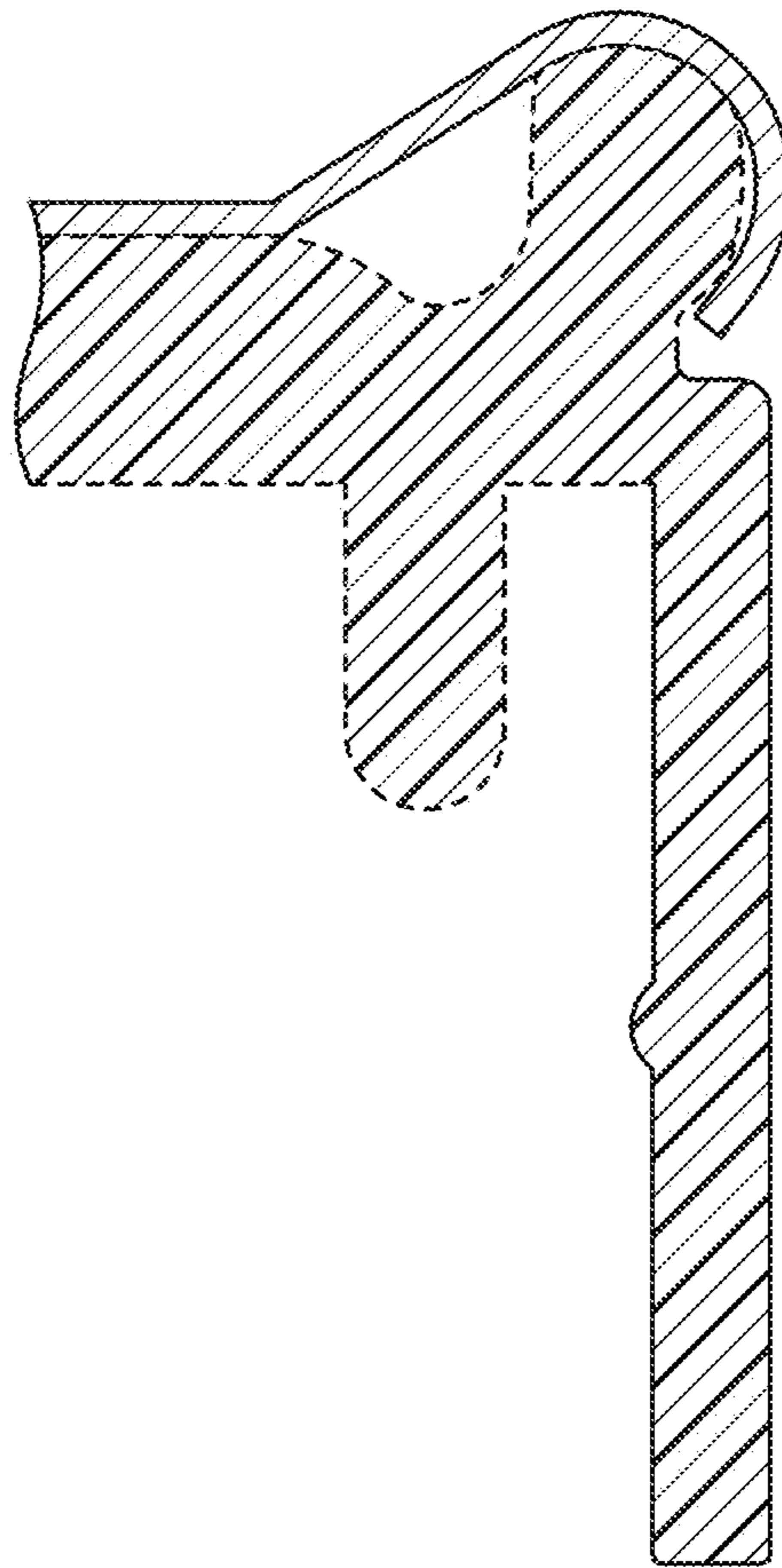


FIG. 8

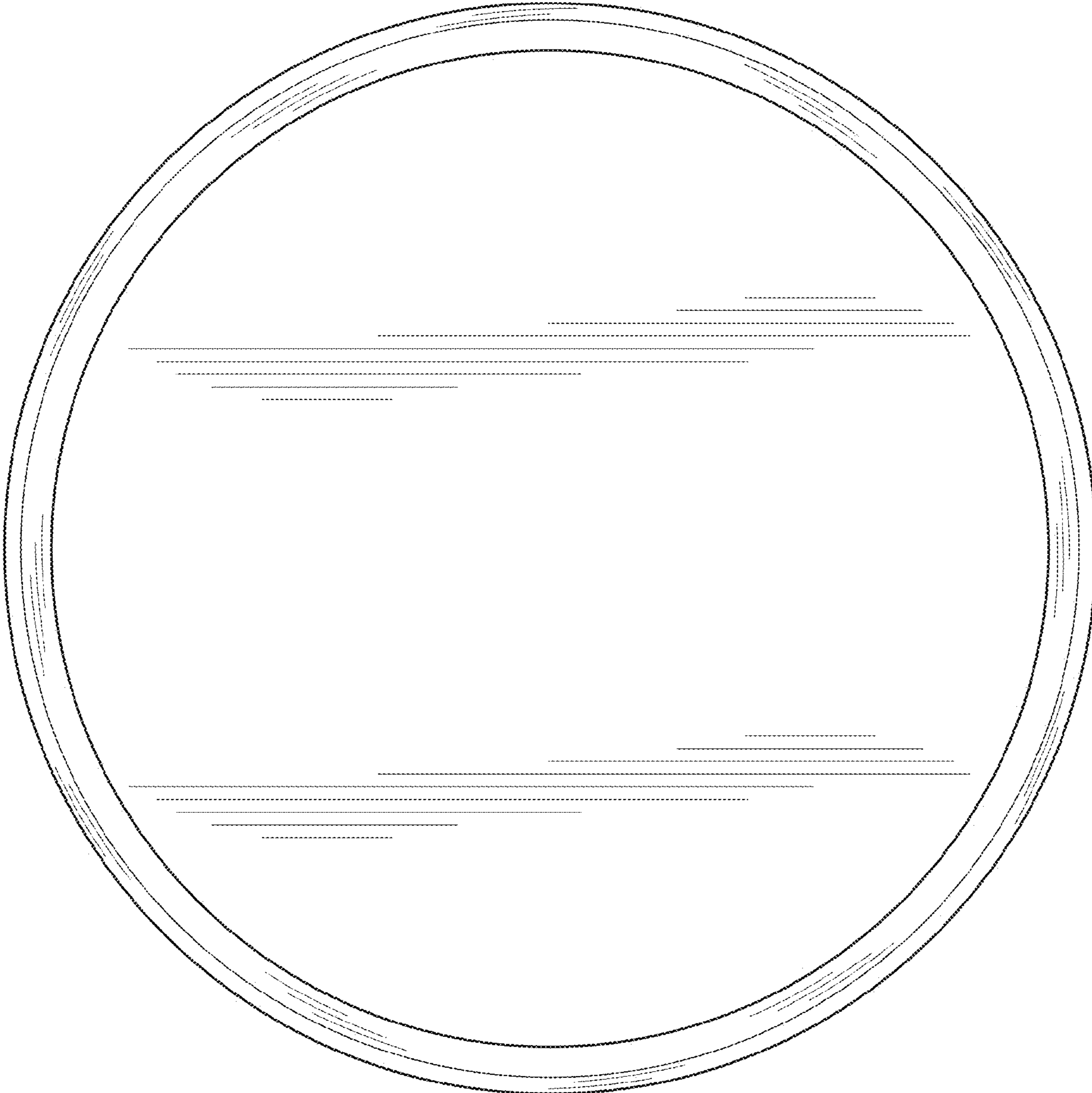


FIG. 9

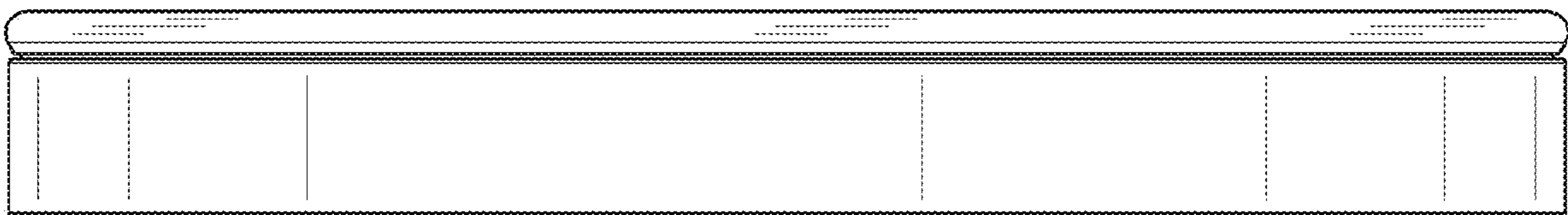


FIG. 10

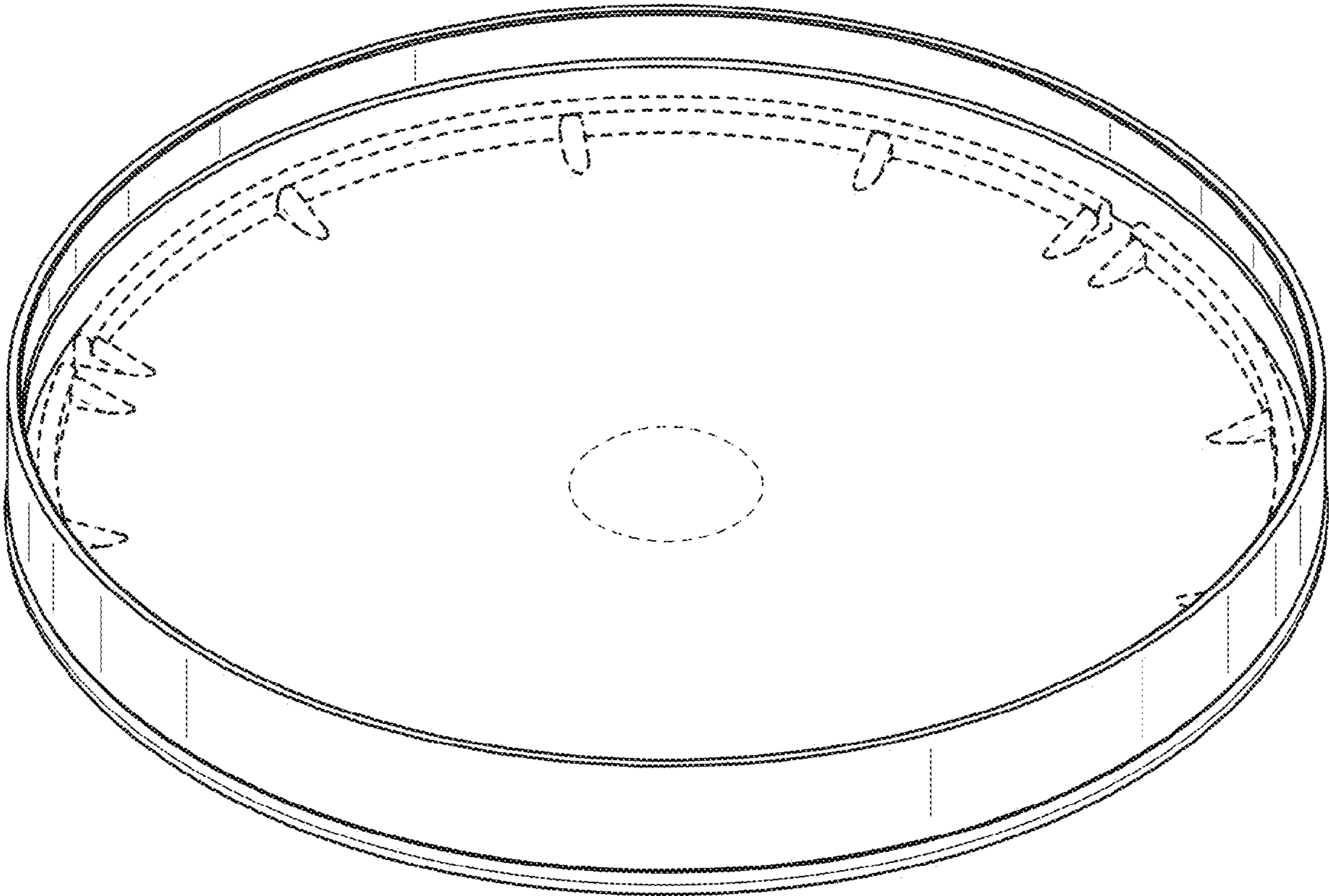


FIG. 11

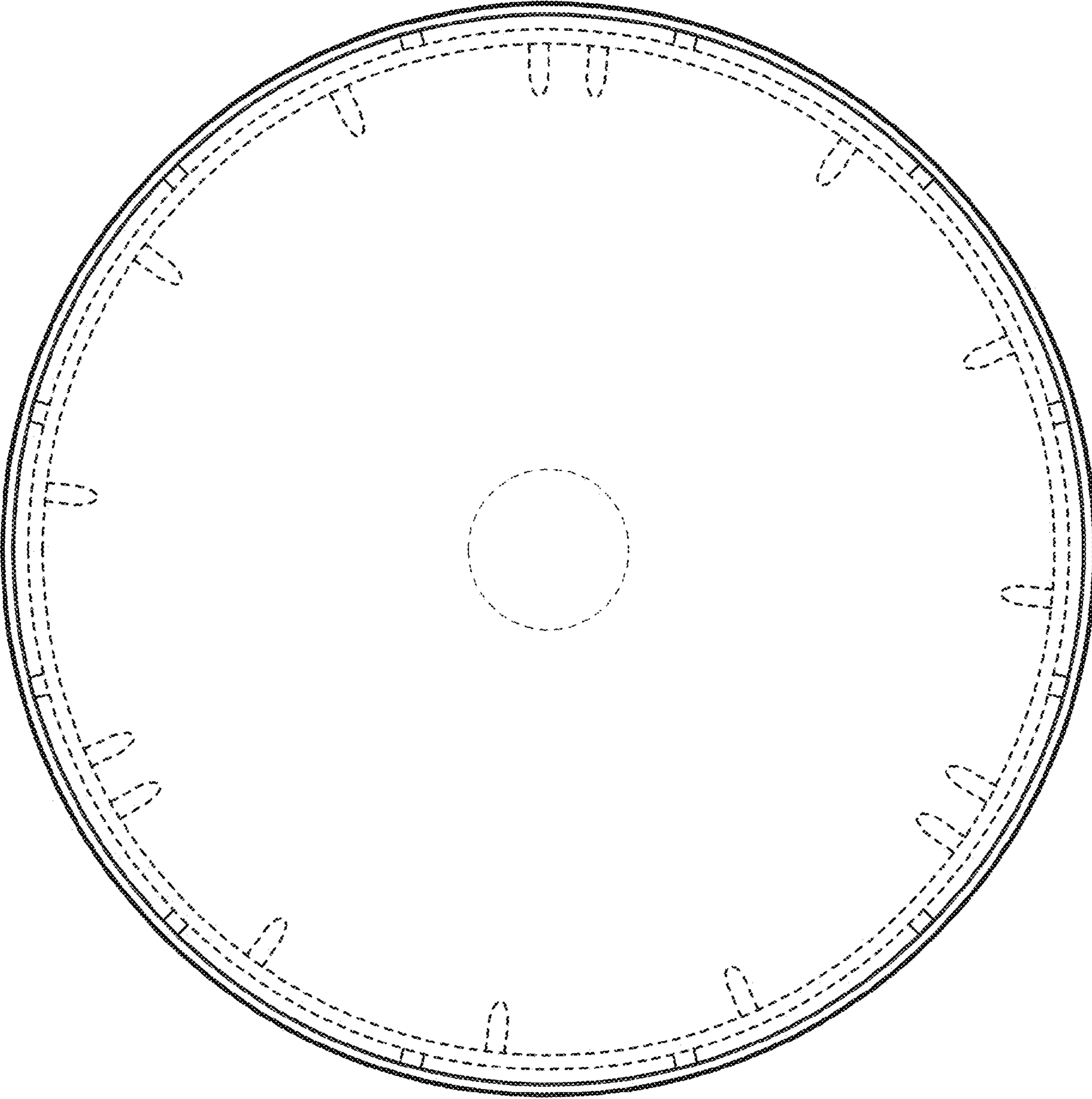


FIG. 12