



US00D984884S

(12) **United States Design Patent**
Leeds et al.

(10) **Patent No.:** **US D984,884 S**
(45) **Date of Patent:** **** May 2, 2023**

- (54) **CUP WITH INTEGRATED FOLDING LID**
- (71) Applicant: **SOFI PAPER PRODUCTS, LLC**,
Miami Beach, FL (US)
- (72) Inventors: **Brandon Leeds**, Miami Beach, FL
(US); **Jordan Leeds**, Miami Beach, FL
(US)
- (73) Assignee: **SOFI PAPER PRODUCTS, LLC**,
Miami Beach, FL (US)
- (**) Term: **15 Years**
- (21) Appl. No.: **29/738,436**
- (22) Filed: **Jun. 17, 2020**
- (51) **LOC (14) Cl.** **09-03**
- (52) **U.S. Cl.**
USPC **D9/431**
- (58) **Field of Classification Search**
USPC D9/414-419, 428, 430-434, 454, 499,
D9/751, 715, 716, 717; D7/300, 396.2,
D7/601, 602, 619.1, 900, 512
CPC ... B65D 5/42; B65D 5/46; B65D 5/64; B65D
81/38; B65D 65/42; B65D 3/04
See application file for complete search history.

(56) **References Cited**

U.S. PATENT DOCUMENTS

- 2,070,495 A * 2/1937 Strutz A47G 19/2222
D7/396.2
- 2,355,729 A * 8/1944 Inman B65D 5/64
229/117.22
- D170,974 S * 12/1953 Gorham D9/433
- D211,564 S * 7/1968 Bailey D9/433
- D229,170 S * 11/1973 Schipper D9/418
- 3,809,310 A * 5/1974 VanderLugt, Jr. B65D 5/008
229/110
- D235,314 S * 6/1975 Frederick D9/431
- D254,361 S * 3/1980 Pitts D9/417
- D398,813 S * 9/1998 Franzese D7/396.1

- 5,873,220 A * 2/1999 Haraldsson B65D 5/2057
53/411
- 6,070,755 A * 6/2000 Evans B65D 51/24
229/404
- D428,302 S * 7/2000 Miller D7/619.1
(Continued)

OTHER PUBLICATIONS

Design Boom. NYC designers eliminate plastic coffee cup lid with single folded paper unocup. Published Nov. 19, 2019 by Kat Barandy. Visited Apr. 12, 2022. <https://www.designboom.com/design/unocup-folded-coffee-cup-kaanur-papo-tom-chan-kickstarter-11-19-19/> (Year: 2019).*

(Continued)

Primary Examiner — Darcey E Gottschalk
Assistant Examiner — Vanessa M. Pursley
(74) *Attorney, Agent, or Firm* — Alston & Bird LLP

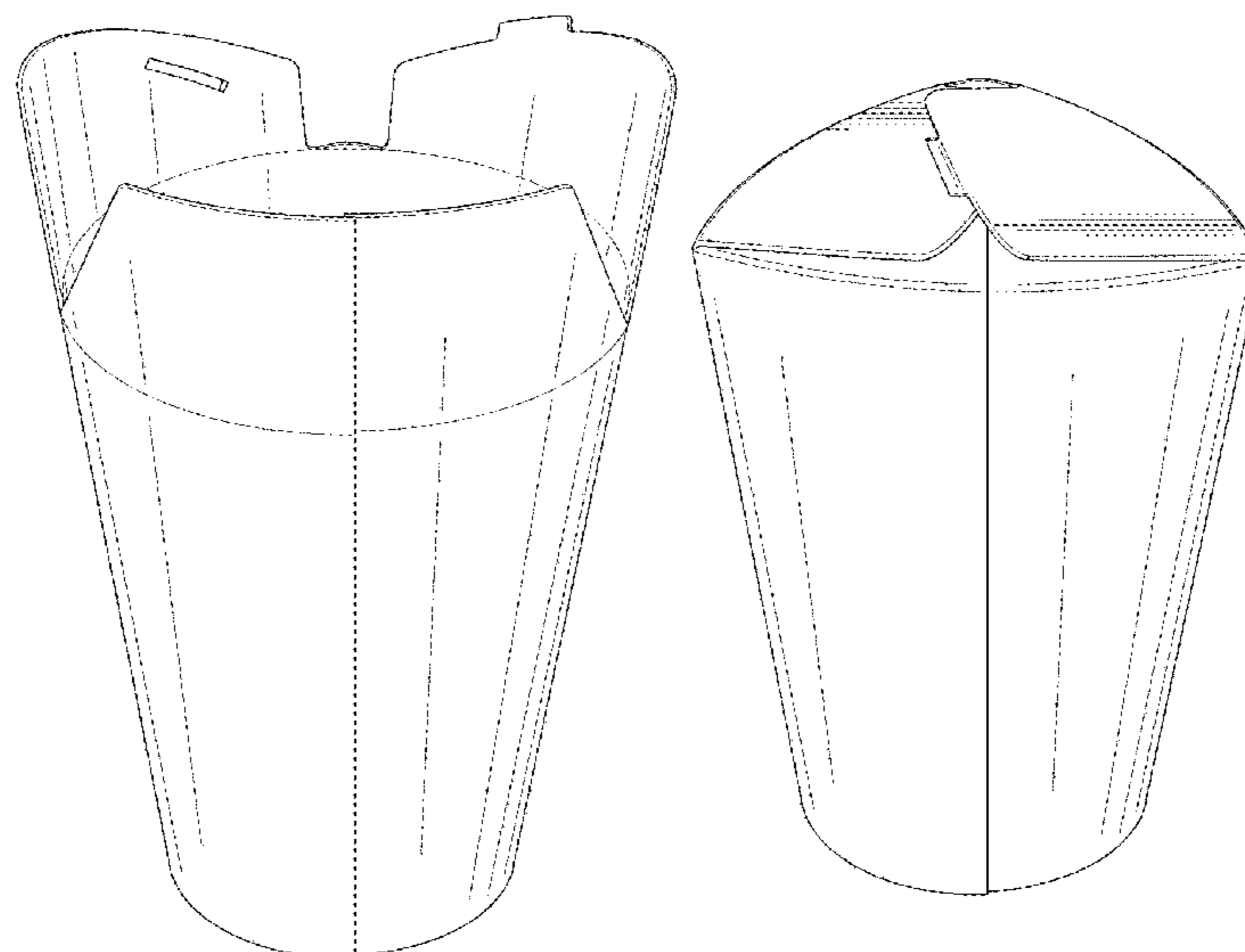
(57) **CLAIM**

The ornamental design for a cup with integrated folding lid, as shown and described.

DESCRIPTION

FIG. 1 is a perspective view of a cup with integrated folding lid according to our new design, in an unfolded configuration;
FIG. 2 is a front elevation view thereof;
FIG. 3 is a rear elevation view thereof;
FIG. 4 is a right side elevation view thereof;
FIG. 5 is a left side elevation view thereof;
FIG. 6 is a top elevation view thereof;
FIG. 7 is a bottom plan view thereof;
FIG. 8 is a perspective view thereof in a partially-folded configuration;
FIG. 9 is a perspective view thereof in another partially-folded configuration; and,
FIG. 10 is a perspective view thereof in a fully-folded configuration.

1 Claim, 9 Drawing Sheets



(56)

References Cited

U.S. PATENT DOCUMENTS

D456,710 S * 5/2002 Persson D9/431
 D467,798 S * 12/2002 Cohon D9/418
 6,758,390 B2 * 7/2004 Sarson B65D 3/20
 229/199
 D495,209 S * 8/2004 Tranfaglia D7/509
 D538,644 S * 3/2007 DeVine D9/431
 D560,104 S * 1/2008 Schomaker D9/414
 D605,895 S * 12/2009 Abbott D9/503
 D617,183 S * 6/2010 Stephens D9/430
 D617,184 S * 6/2010 Sneva B65D 65/42
 D9/430
 D637,872 S * 5/2011 Sarson D7/510
 D657,950 S * 4/2012 Herman D3/202
 D662,777 S * 7/2012 Andrascik D7/509
 D696,580 S * 12/2013 Ridenour B31B 50/62
 D9/419
 D701,454 S * 3/2014 Pryor B65D 5/42
 D9/417
 D714,639 S * 10/2014 Royer D9/433
 8,864,015 B2 * 10/2014 Lu B65D 3/20
 229/404
 D785,448 S * 5/2017 Wolf B65D 29/00
 D9/414
 9,737,161 B1 * 8/2017 Li B65D 5/74
 9,751,655 B2 * 9/2017 Herman B65D 5/0209
 D801,831 S * 11/2017 Gallimore D9/761
 D805,385 S * 12/2017 Johnson D9/431
 D811,796 S * 3/2018 Joseph D7/325
 D830,168 S * 10/2018 Irimia D9/428
 D876,946 S * 3/2020 Elman B65D 5/74
 D9/414
 D889,205 S * 7/2020 Said D7/523

D898,565 S * 10/2020 Kearns B65D 5/4266
 D9/433
 D955,226 S * 6/2022 König D9/428
 D955,876 S * 6/2022 Sill D9/431
 D968,949 S * 11/2022 Ülker D9/431
 2009/0261156 A1 * 10/2009 Abbott B65D 3/262
 229/404
 2010/0102110 A1 * 4/2010 Learn B65D 5/42
 493/162
 2011/0309096 A1 * 12/2011 Jones B65D 1/326
 220/737
 2013/0048702 A1 * 2/2013 Burton B65D 5/42
 229/108
 2019/0077536 A1 * 3/2019 Chan B65D 3/04
 2020/0299044 A1 * 9/2020 MacDonald B65D 29/00
 2021/0078759 A1 * 3/2021 Barnes B31B 50/62
 2022/0089313 A1 * 3/2022 Leeds B65D 65/42

OTHER PUBLICATIONS

Fast Company. The coffee cup gets a radical, desperately needed redesign. Published Nov. 21, 2019 by Evan Nicole Brown. Visited Apr. 12, 2022. <https://www.fastcompany.com/90433732/the-coffee-cup-gets-a-radical-desperately-needed-redesign> (Year: 2019).*

Yanko Design. This Award-Winning To-Go Coffee Cup Comes with its Own Integrated Origami Lid!. Published Dec. 28, 2020 by Sarang Sheth. Visited Apr. 12, 2022. <https://www.yankodesign.com/2020/12/28/this-award-winning-to-go-coffee-cup-comes-with-its-own-integrated-origami-lid/> (Year: 2020).*

Sprudge. A New Paper To-Go Cup Removes Plastic Lids From The Fold. Published Mar. 22, 2022 by Zac Cadwalder. Visited Apr. 12, 2022. <https://sprudge.com/a-new-paper-to-go-cup-removes-plastic-lids-from-the-fold-185101.html> (Year: 2022).*

* cited by examiner

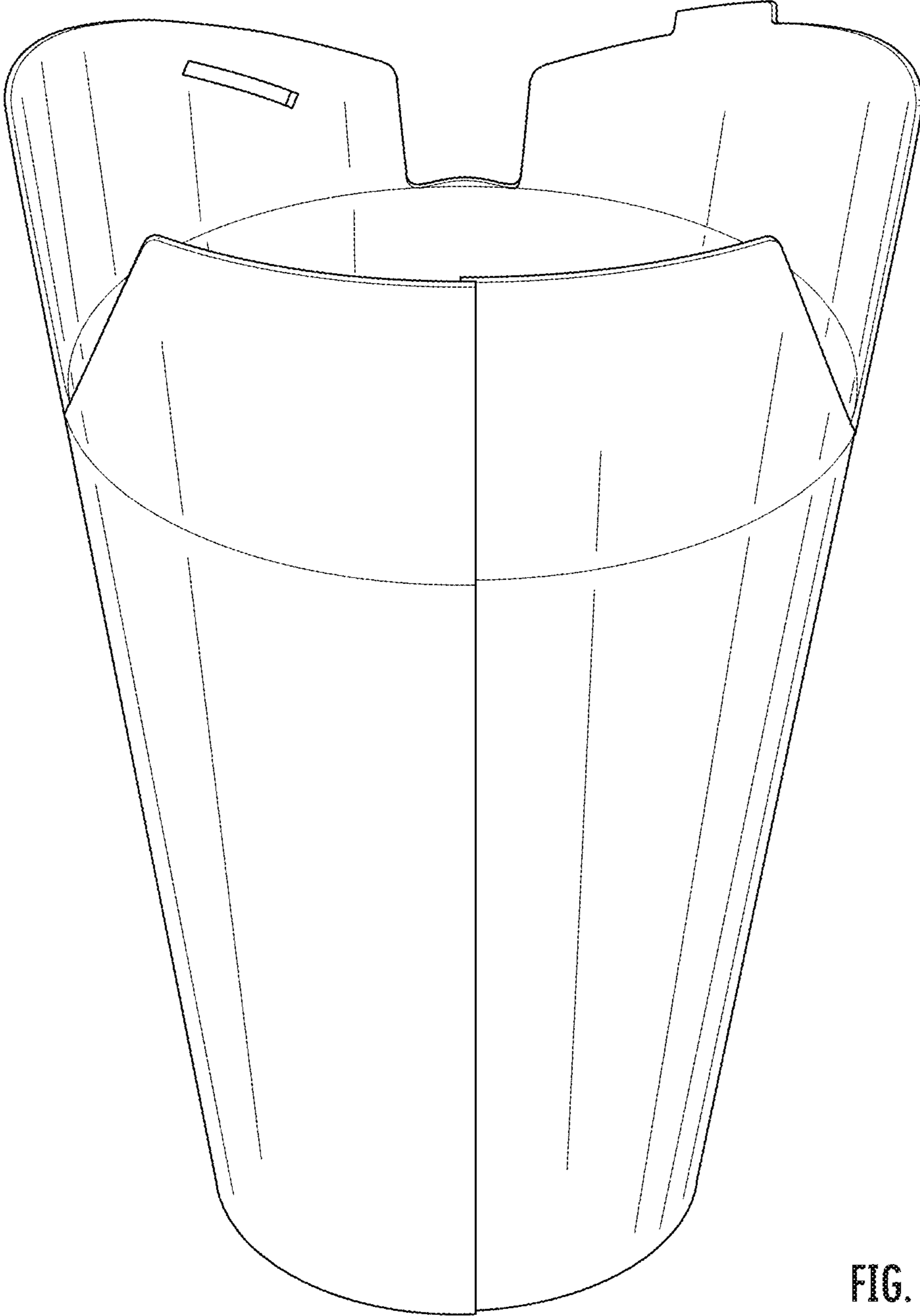


FIG. 1

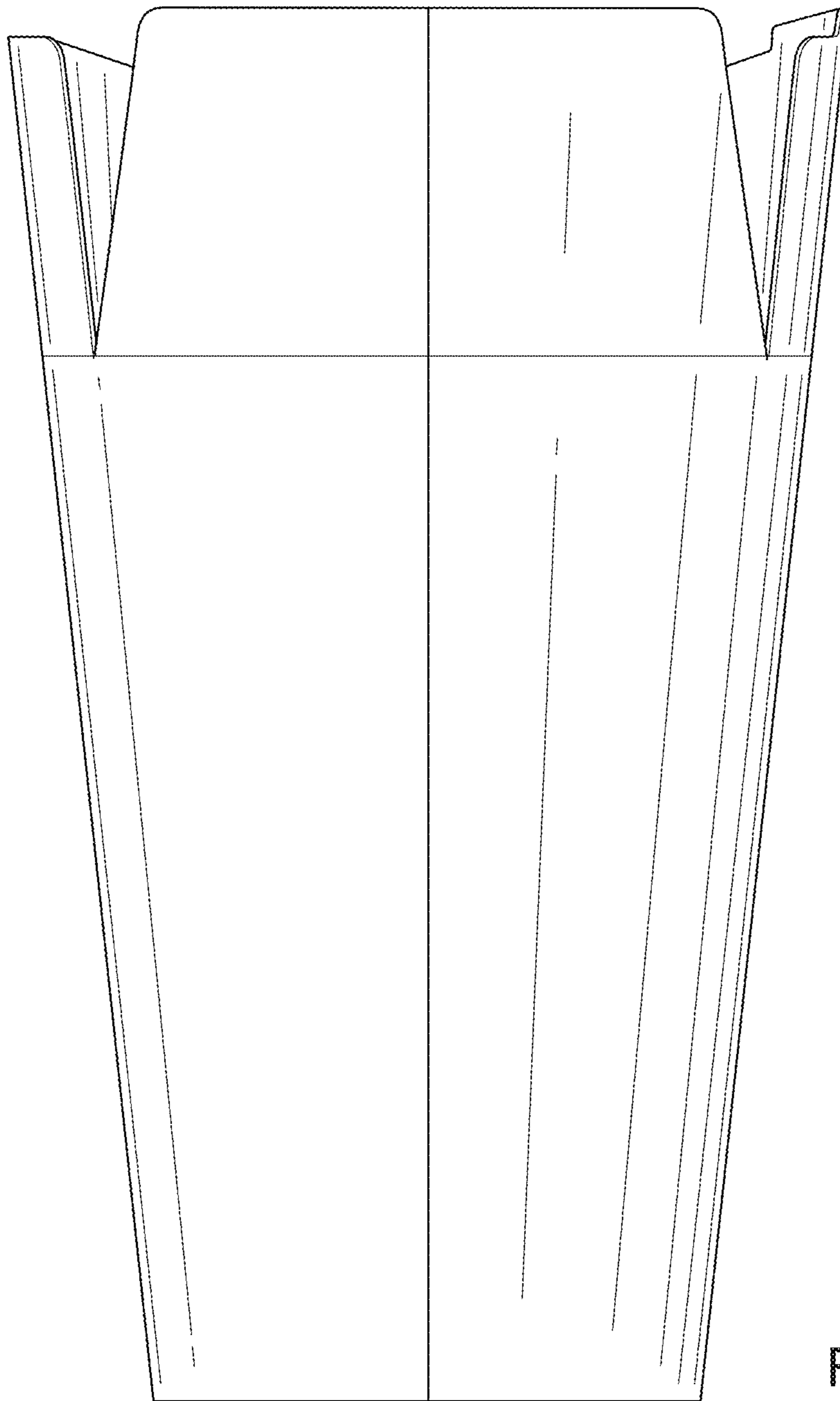


FIG. 2

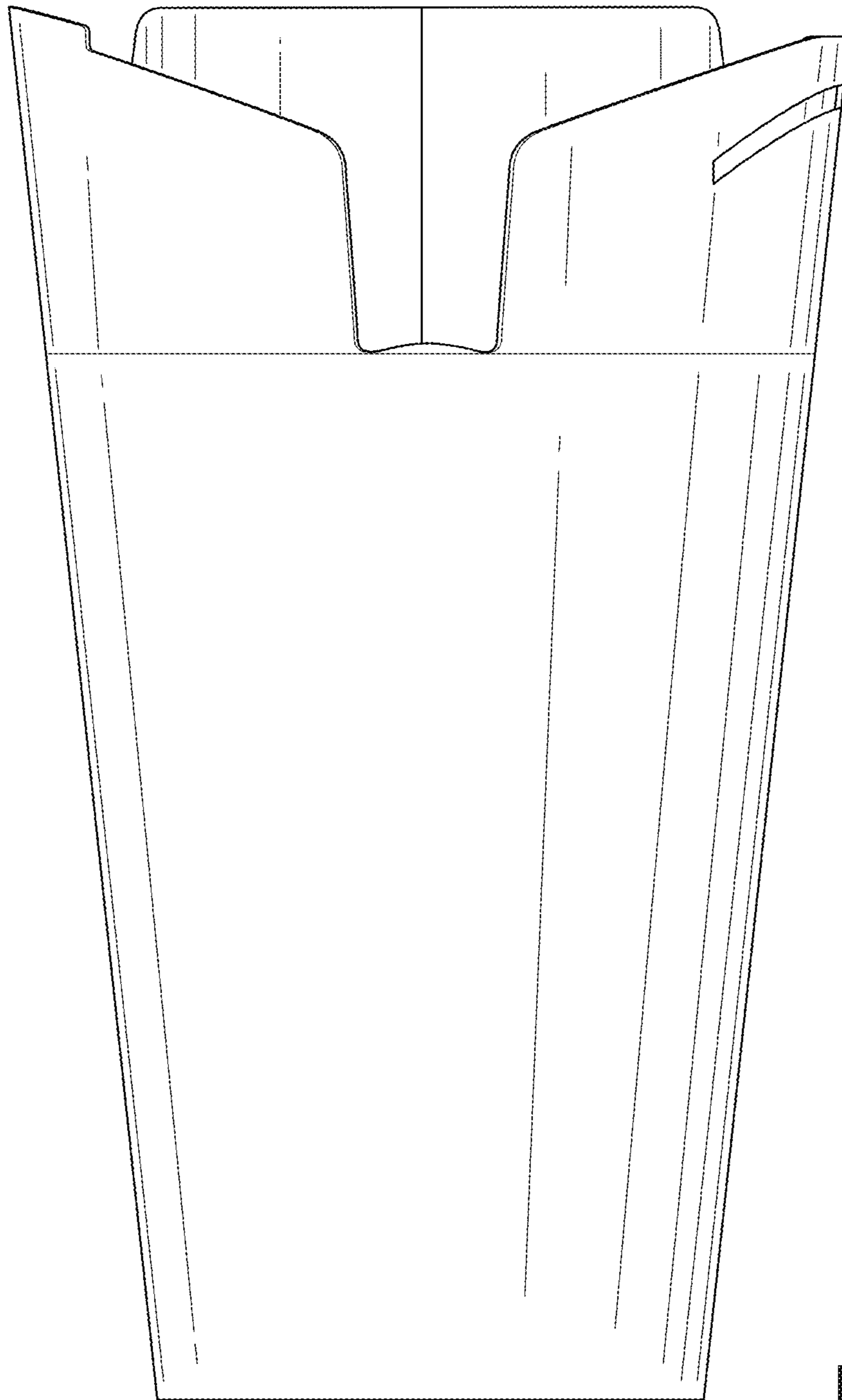


FIG. 3

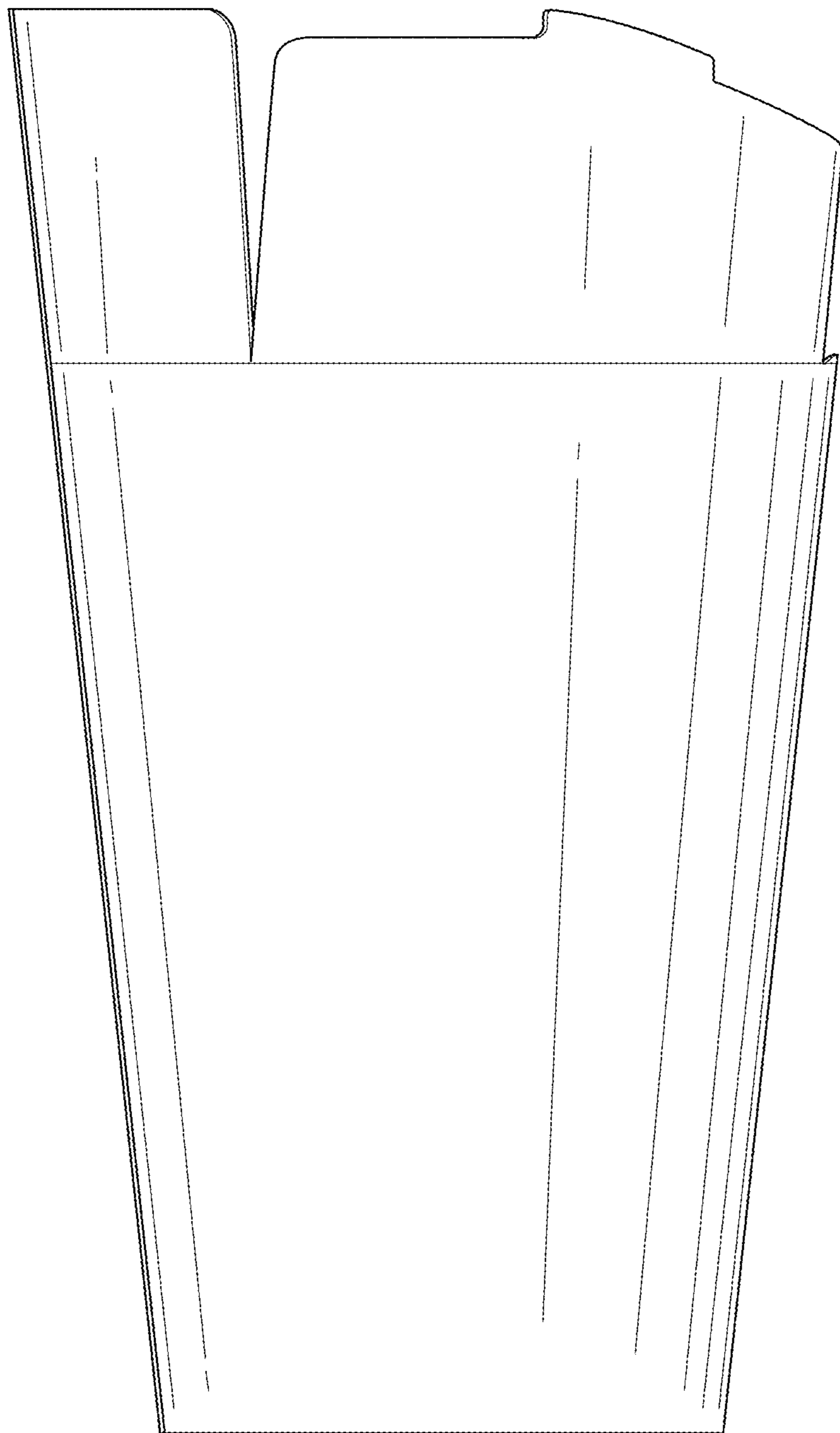


FIG. 4

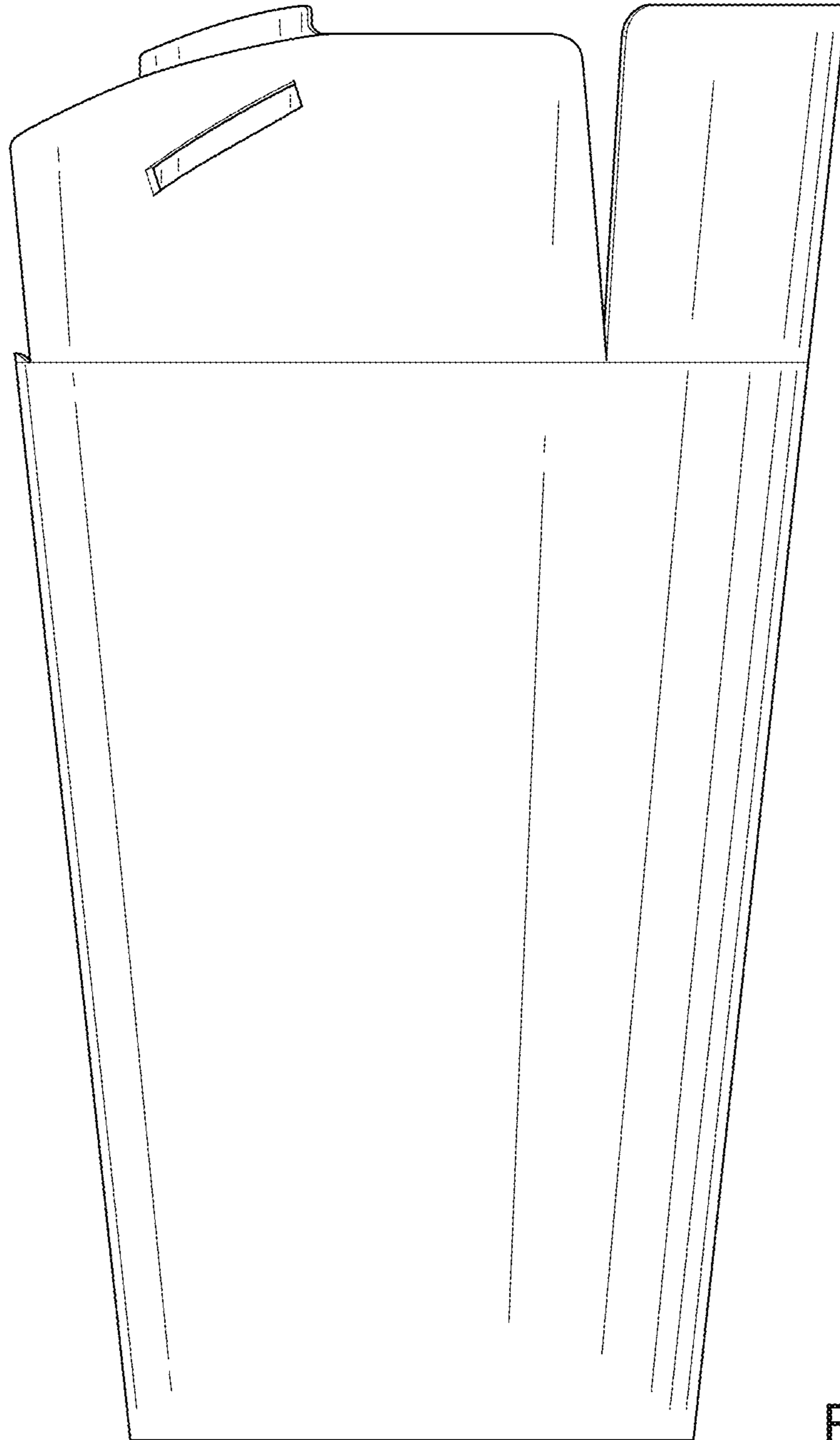


FIG. 5

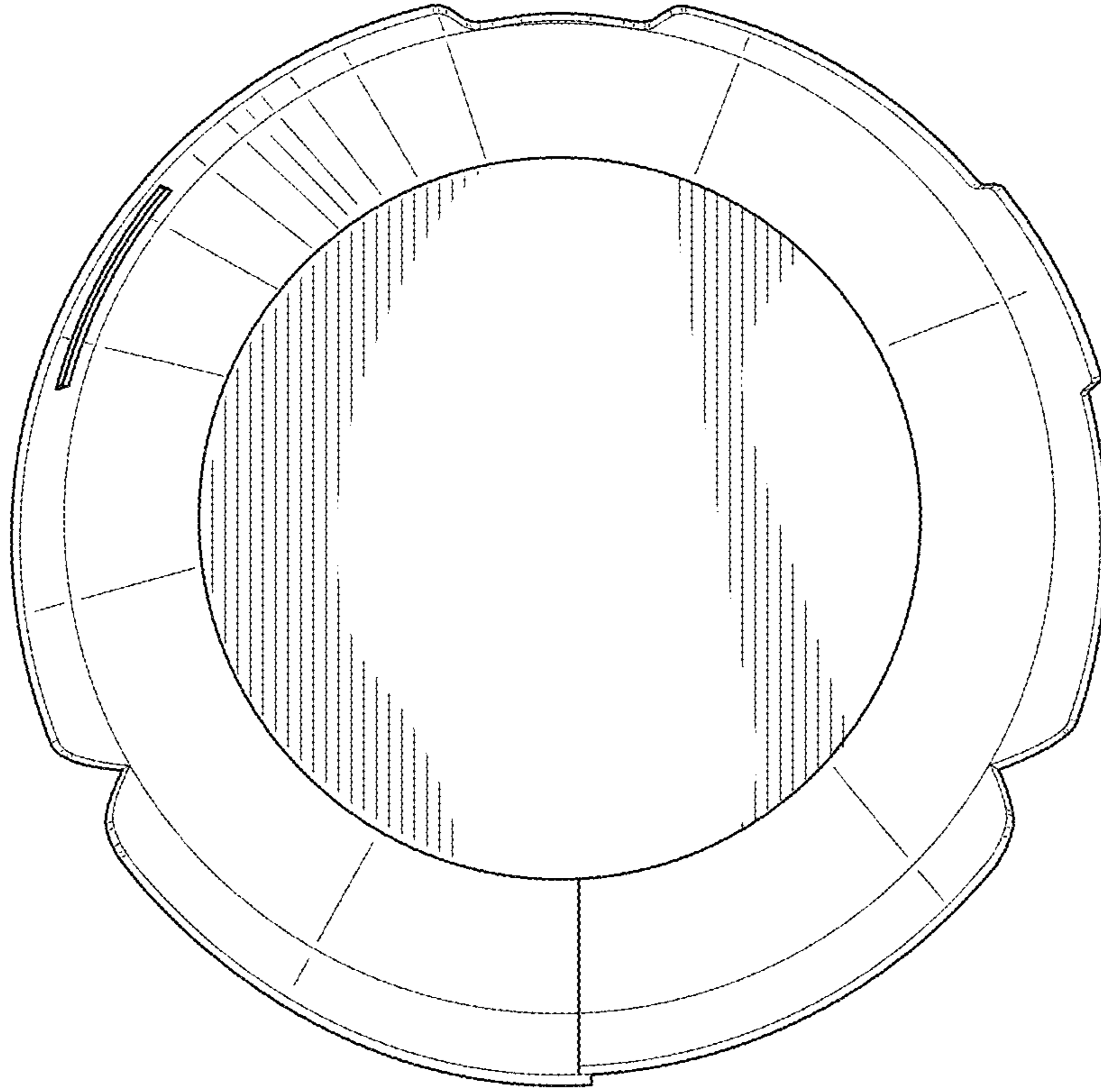


FIG. 6

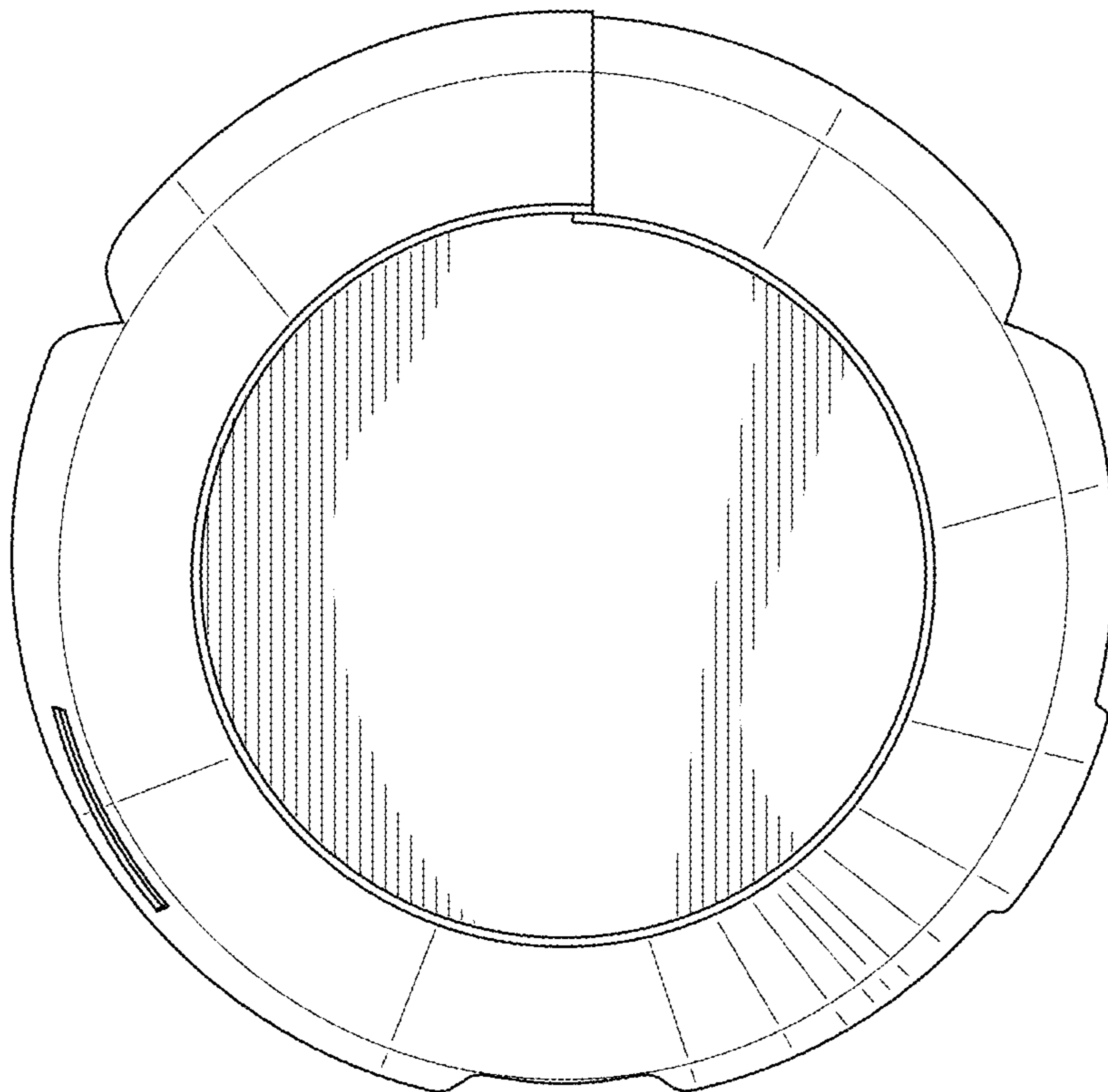


FIG. 7

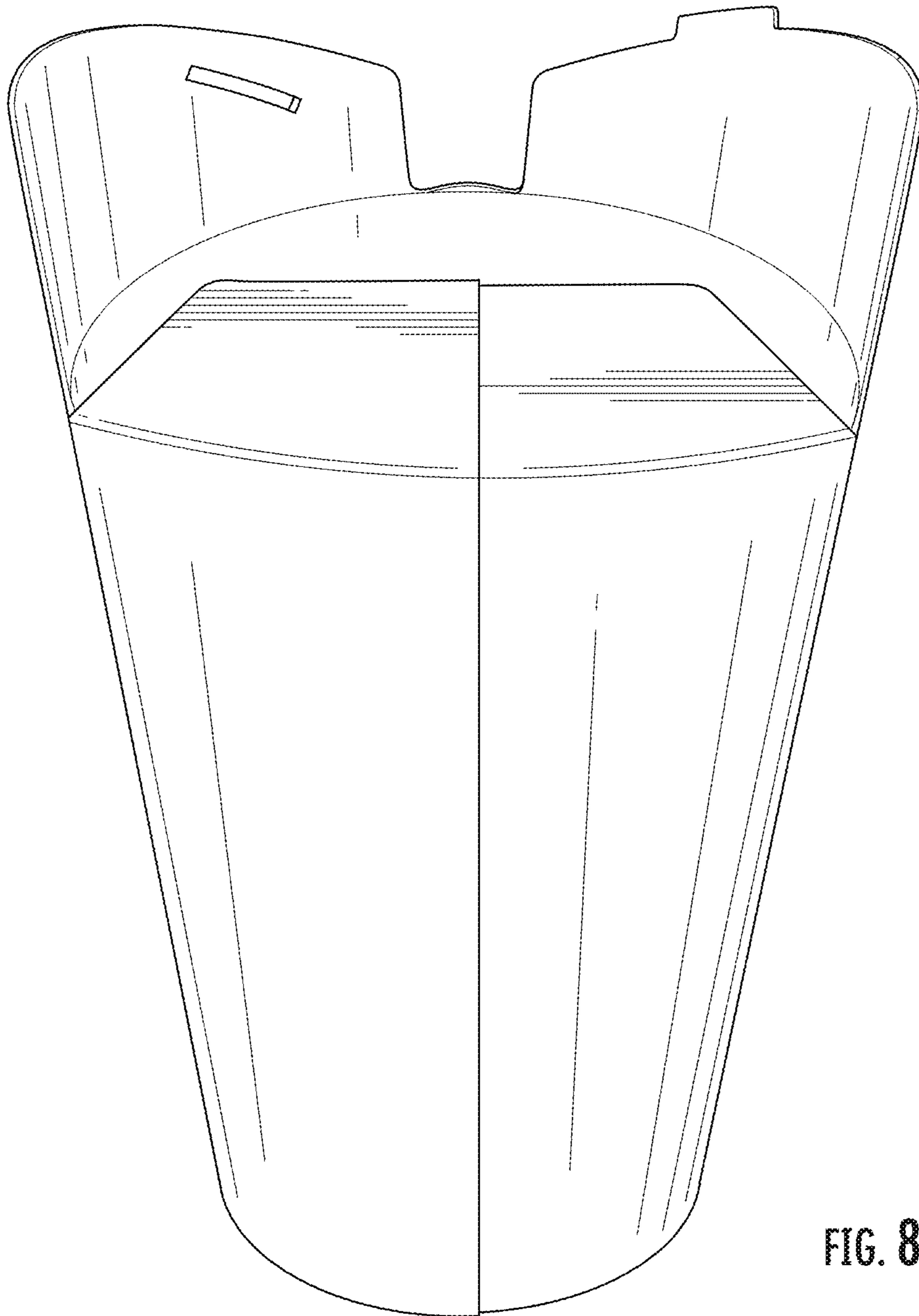


FIG. 8

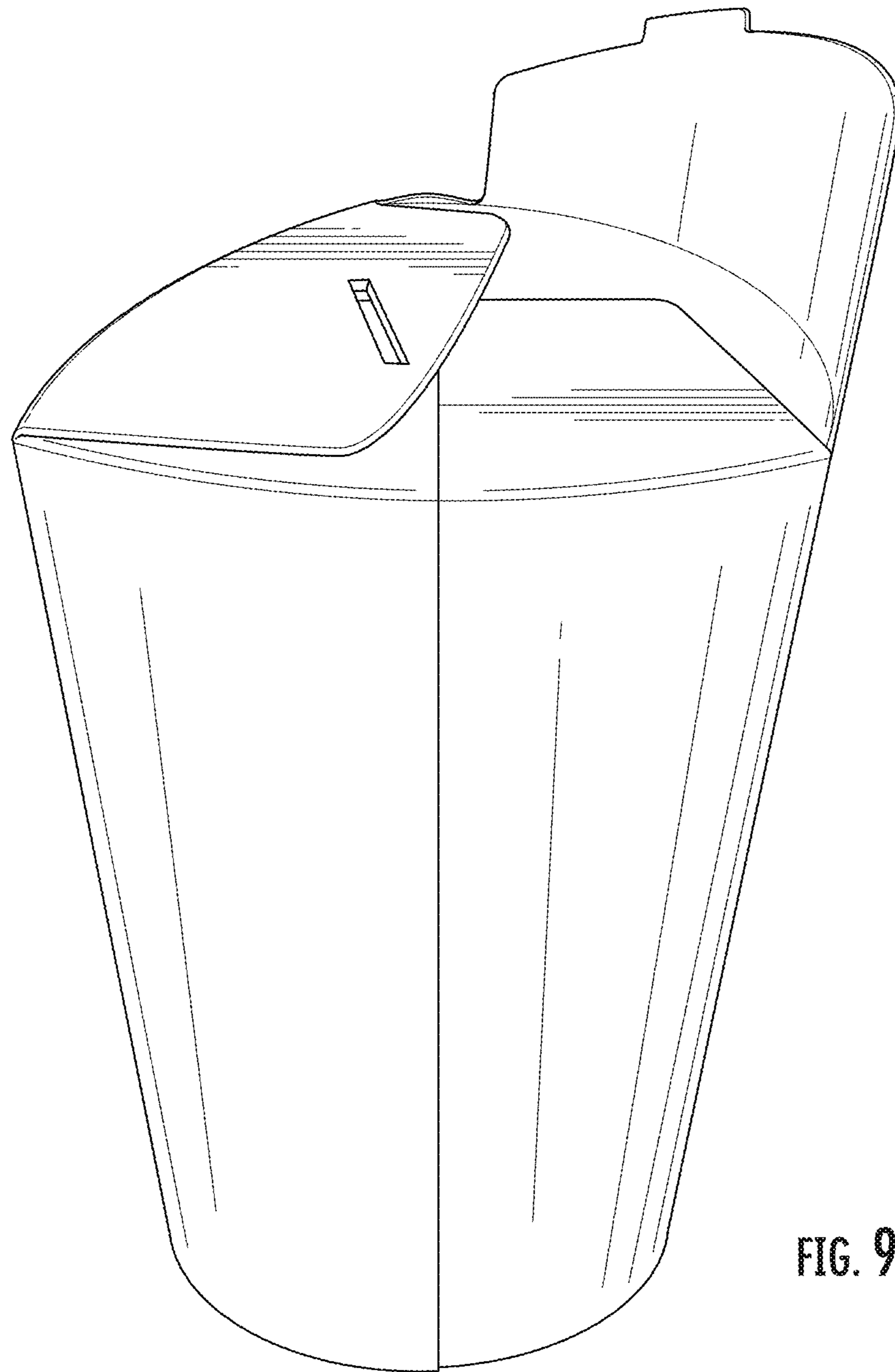


FIG. 9

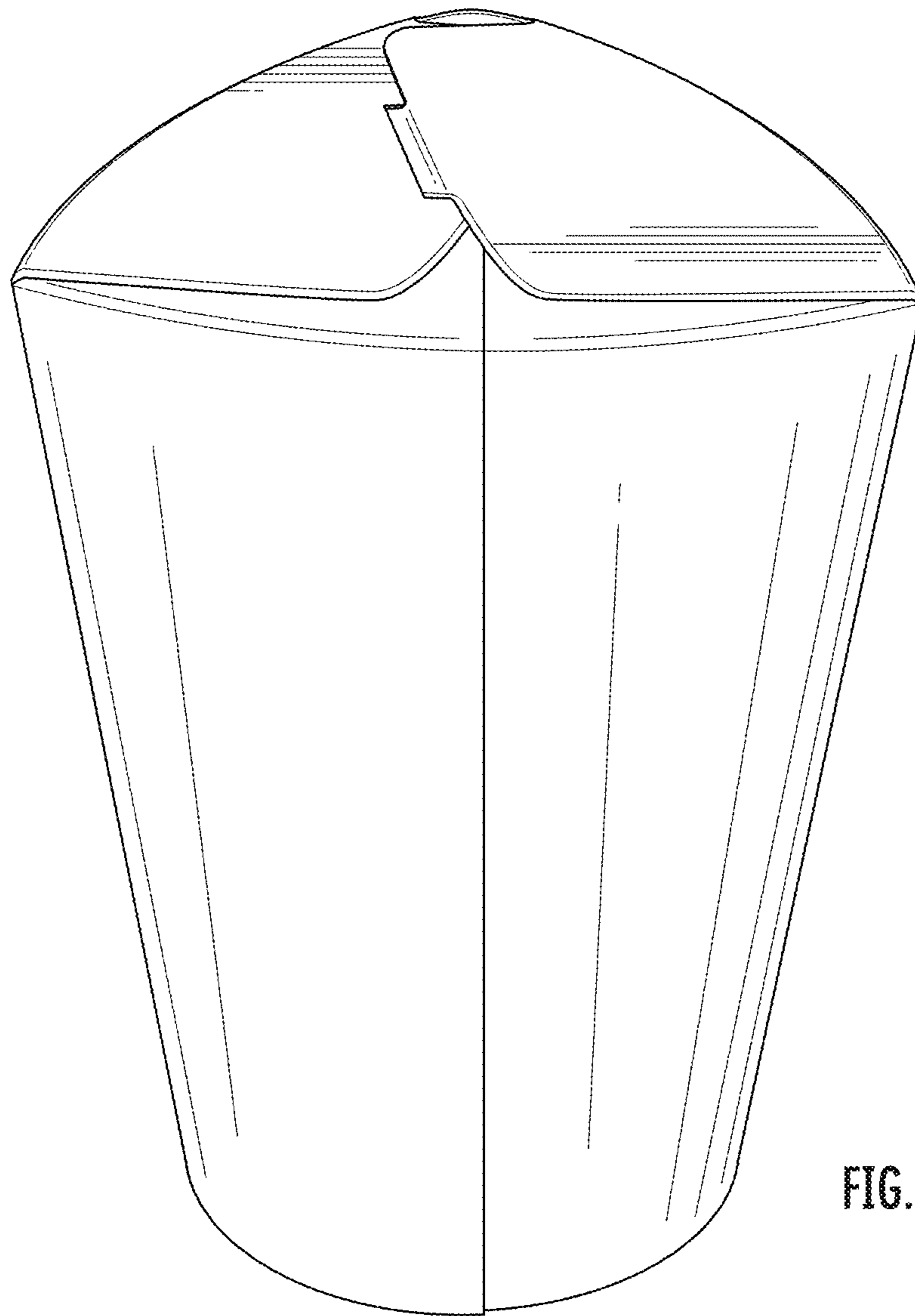


FIG. 10