



US00D984883S

(12) **United States Design Patent** (10) **Patent No.:** **US D984,883 S**
García Uribe et al. (45) **Date of Patent:** **** May 2, 2023**

(54) **CONTAINER FOR DEODORANT OR ANTIPERSPIRANT**

FOREIGN PATENT DOCUMENTS

JP D1082827 * 6/2000

(71) Applicant: **Prebel S.A.**, Antioquia (CO)

OTHER PUBLICATIONS

(72) Inventors: **Angela Maria García Uribe**, Antioquia (CO); **Juan Camilo Jiménez Cruz**, Antioquia (CO)

Dove Refillable Deodorant Starter Kit Deodorant For Women Sensitive 0% Aluminum 1.13 oz Online, published N/A. Retrieved on Sep. 2, 2022 from URL:<https://www.amazon.com/Dove-Refillable-Deodorant-Sensitive-Aluminum/dp/B09MZLFF3G>.*

(73) Assignee: **PREBEL S.A.**, Antioquia (CO)

Primary Examiner — Jae Liang

(**) Term: **15 Years**

Assistant Examiner — Royner Mendoza

(21) Appl. No.: **29/754,498**

(74) *Attorney, Agent, or Firm* — Caesar Rivise, PC

(22) Filed: **Oct. 12, 2020**

(57) **CLAIM**

(30) **Foreign Application Priority Data**

The ornamental design for a container for deodorant or antiperspirant, as shown and described.

Apr. 23, 2020 (CO) NC2020/0005020

(51) **LOC (14) Cl.** **09-03**

(52) **U.S. Cl.**
USPC **D9/425; D28/7**

DESCRIPTION

(58) **Field of Classification Search**

USPC D9/425, 434, 435, 436, 438, 443, 444, D9/445, 452, 453, 529, 539, 542, 543; D28/7, 76; D7/607, 392.1, 629, 553.6, D7/328, 256, 253, 252, 243, 228, 223, D7/323, 354, 500, 550.1, 553.1, 553.2, D7/553.3, 553.4, 601, 602
CPC A47J 19/005; A47J 31/06; A47J 31/0689; B65D 1/10; B65D 1/26; B65D 1/34; B65D 1/40; B65D 85/804; B65D 85/8043; B65D 2581/3409
See application file for complete search history.

FIG. 1 is an isometric view of a a container for deodorant or antiperspirant showing our new design; FIG. 2 is another isometric view of the container for deodorant or antiperspirant of FIG. 1 showing an open bottom end; FIG. 3 is a front elevational view of the container for deodorant or antiperspirant of FIG. 1; FIG. 4 is a rear elevational view of the container for deodorant or antiperspirant of FIG. 1; FIG. 5 is a left side elevational view of the container for deodorant or antiperspirant of FIG. 1; FIG. 6 is a right side elevational view of the container for deodorant or antiperspirant of FIG. 1; FIG. 7 is a top plan view of the container for deodorant or antiperspirant of FIG. 1; and, FIG. 8 is a bottom plan view of the container for deodorant or antiperspirant of FIG. 1. The dot-dash-dot broken lines depict the boundaries of the claim and form no part thereof.

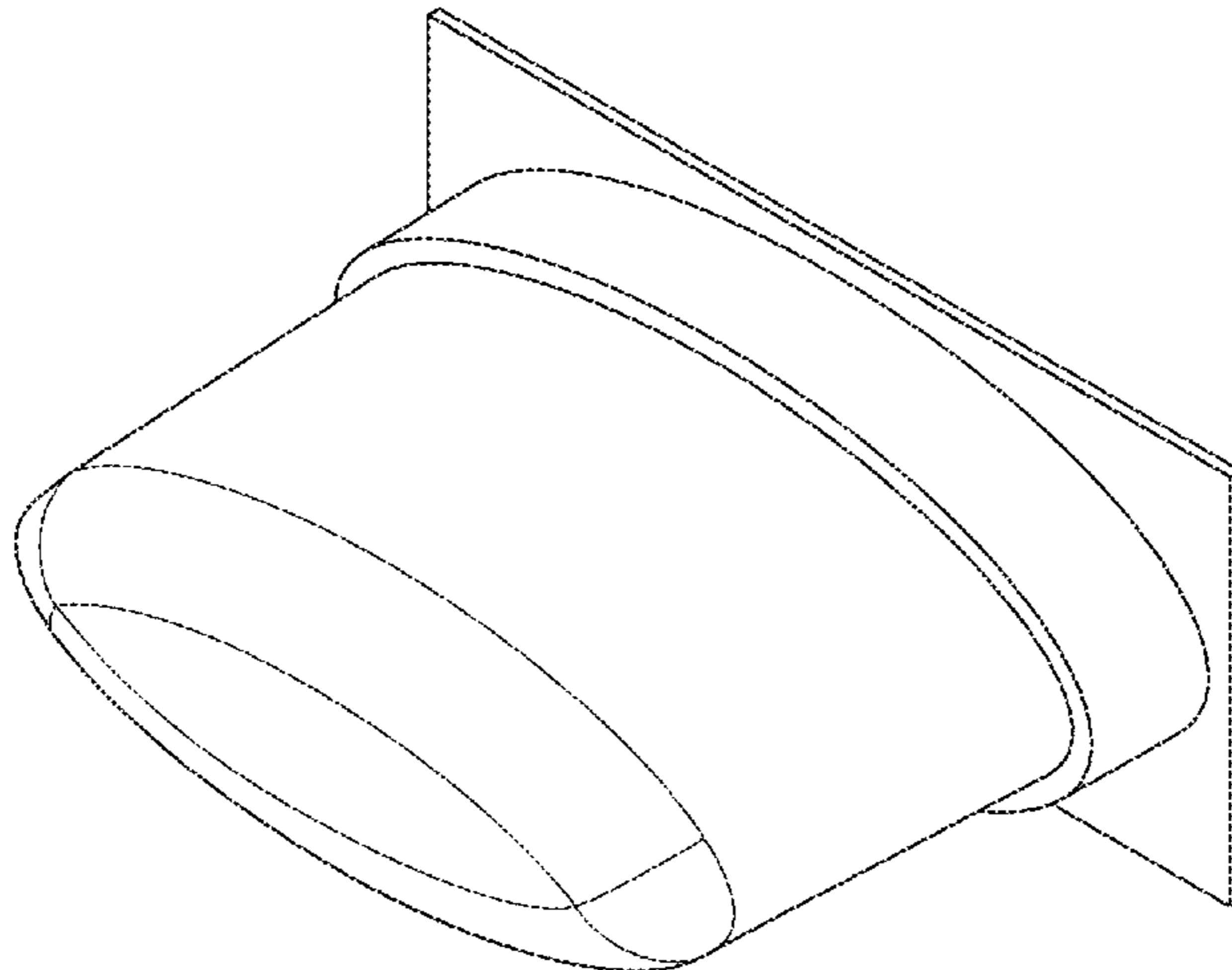
(56) **References Cited**

U.S. PATENT DOCUMENTS

2,435,634 A 2/1948 Nicolin et al.
D189,058 S 10/1960 Benham

(Continued)

(Continued)



The features shown in broken lines in the drawing depict portions of the container for deodorant or antiperspirant that form no part of the claimed design.

1 Claim, 8 Drawing Sheets

(56)

References Cited

U.S. PATENT DOCUMENTS

3,606,422	A	9/1971	Hennessy	
D338,608	S	8/1993	Martin et al.	
D339,280	S	9/1993	Bray et al.	
D368,225	S *	3/1996	Bertolini	D9/444
5,787,741	A	8/1998	Shen	
6,058,746	A	5/2000	Mirshafiee et al.	
D438,790	S *	3/2001	Holthaus	D9/728
D453,898	S	2/2002	Barnes et al.	
D476,887	S *	7/2003	Poisson	D9/435
D489,257	S *	5/2004	Braaten	D9/444

D512,631	S *	12/2005	Lhoste	D9/558
D580,750	S *	11/2008	Claassen	D9/428
D582,766	S *	12/2008	Gatrost	D9/452
D697,794	S *	1/2014	De Pra	D9/425
D698,237	S *	1/2014	De Pra	D9/425
D698,238	S *	1/2014	De Pra	D9/425
D698,239	S *	1/2014	De Pra	D9/425
D700,838	S *	3/2014	Oommen	D9/425
D728,357	S *	5/2015	Pierce, Jr.	D9/416
D739,227	S *	9/2015	Mitchell	D9/416
D795,054	S *	8/2017	Likourezos	D9/414
D817,186	S *	5/2018	Blake	D9/727
D839,090	S *	1/2019	Sanfilippo	D9/414
D906,133	S *	12/2020	Evelich	D9/425
D907,480	S *	1/2021	Wissmann	D9/425
D908,481	S *	1/2021	Fink	D9/425
D923,469	S *	6/2021	Althaus	D9/425
11,104,482	B2 *	8/2021	Evelich	B65D 21/086
D930,467	S *	9/2021	Althaus	D9/425
D939,343	S *	12/2021	Gisholt	D9/425
D939,344	S *	12/2021	Gisholt	D9/425
2022/0202046	A1 *	6/2022	Budd	B65D 77/2024

* cited by examiner

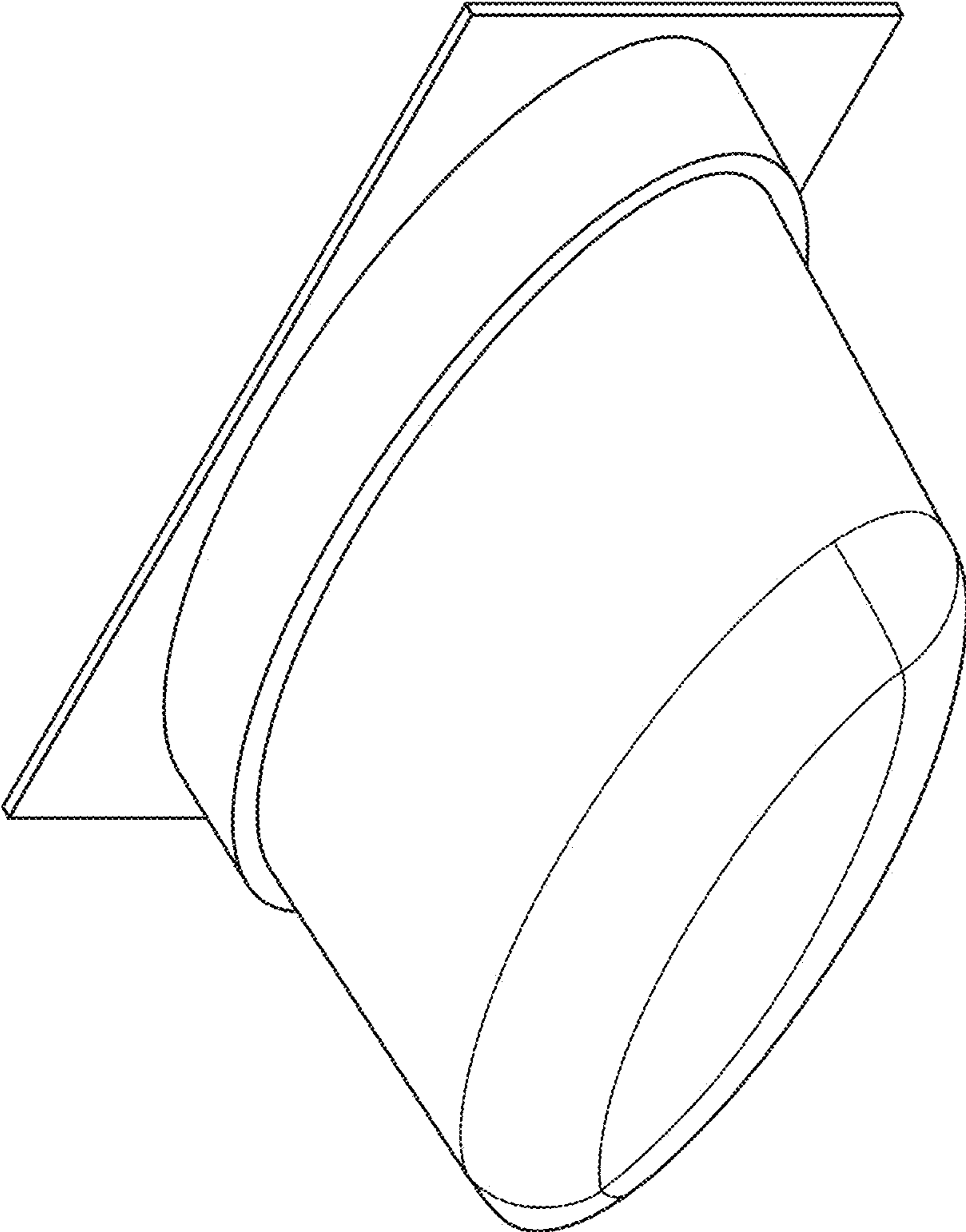


FIG. 1

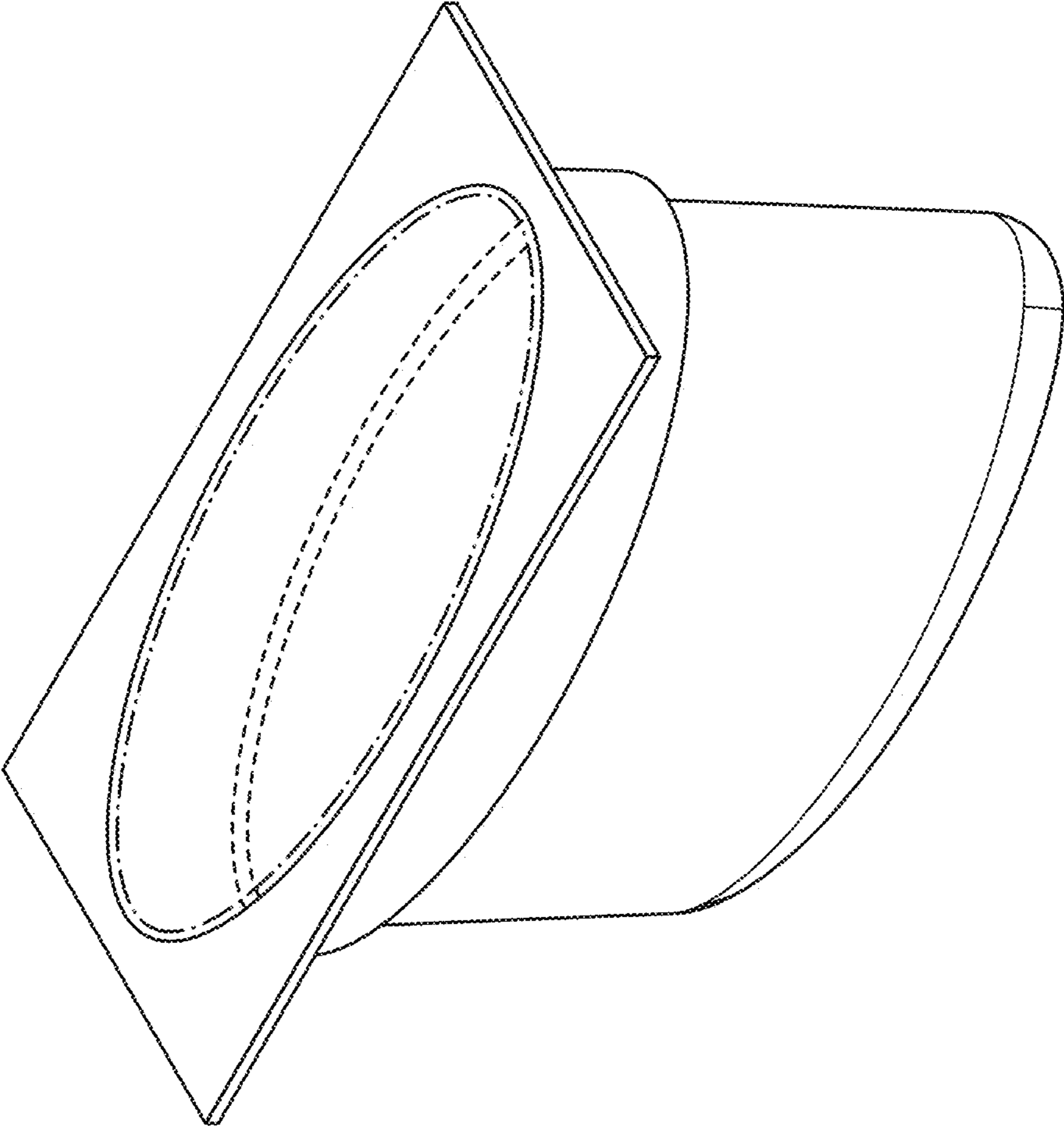


FIG. 2

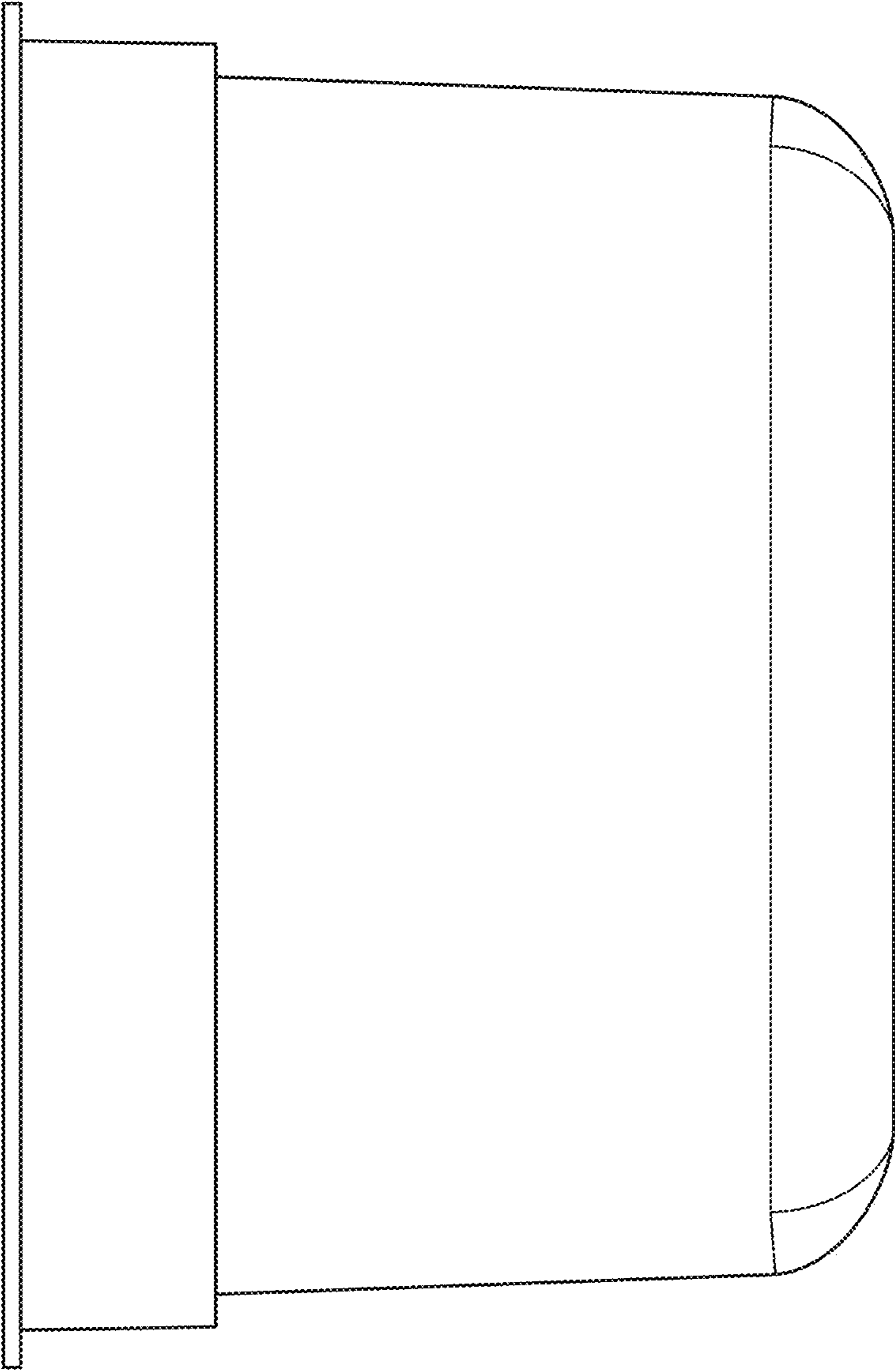


FIG. 3

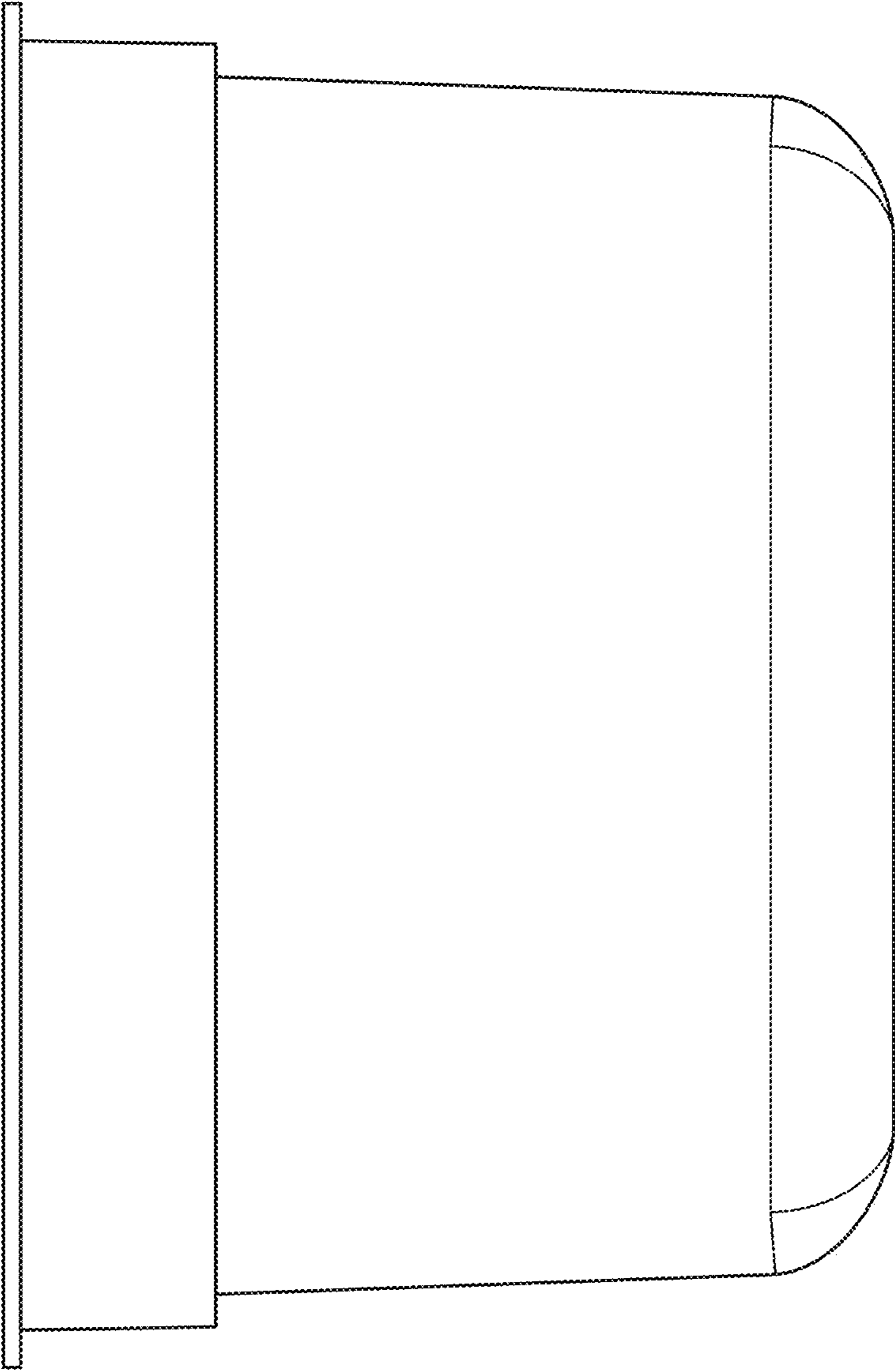


FIG. 4

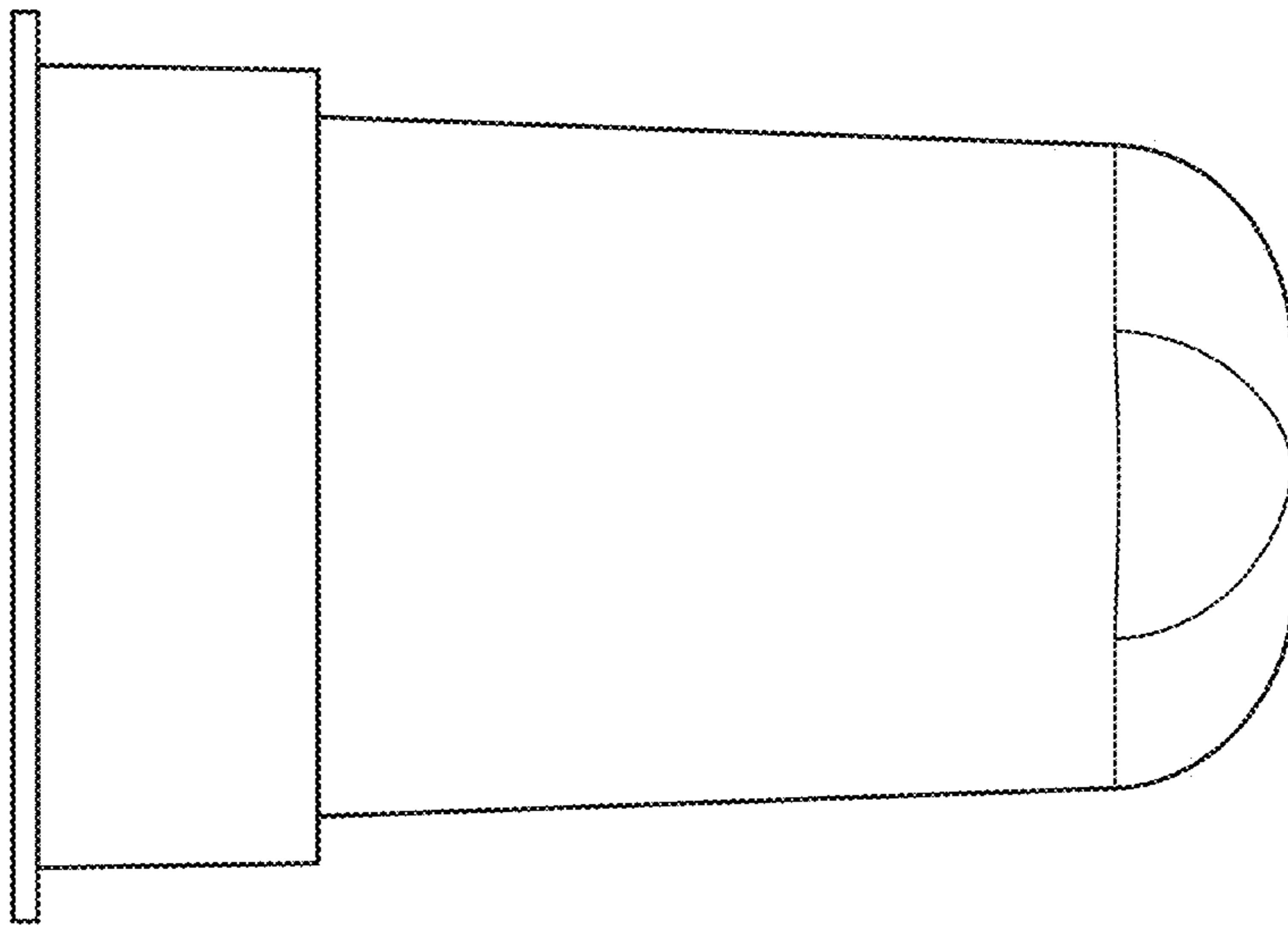


FIG. 5

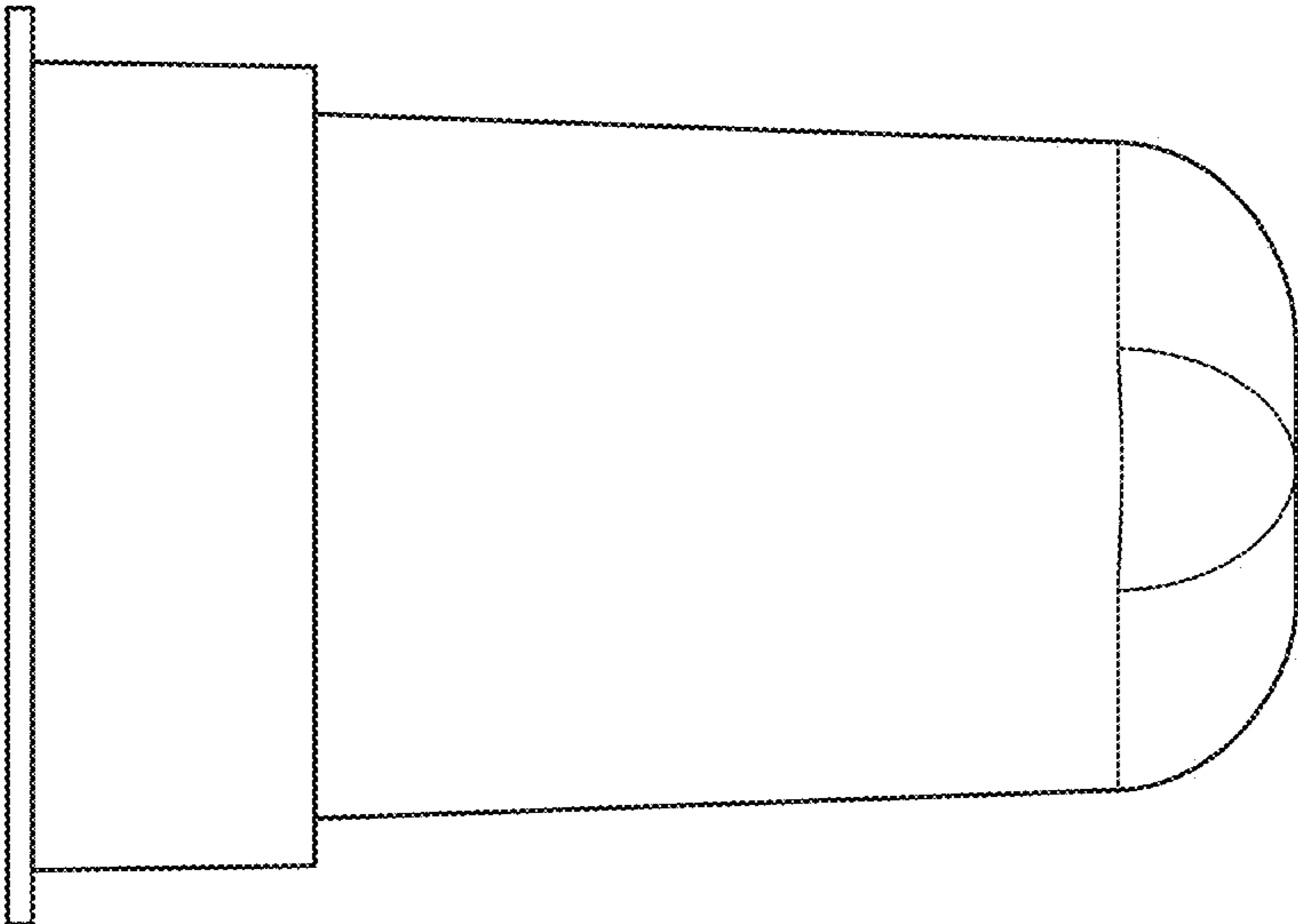


FIG. 6

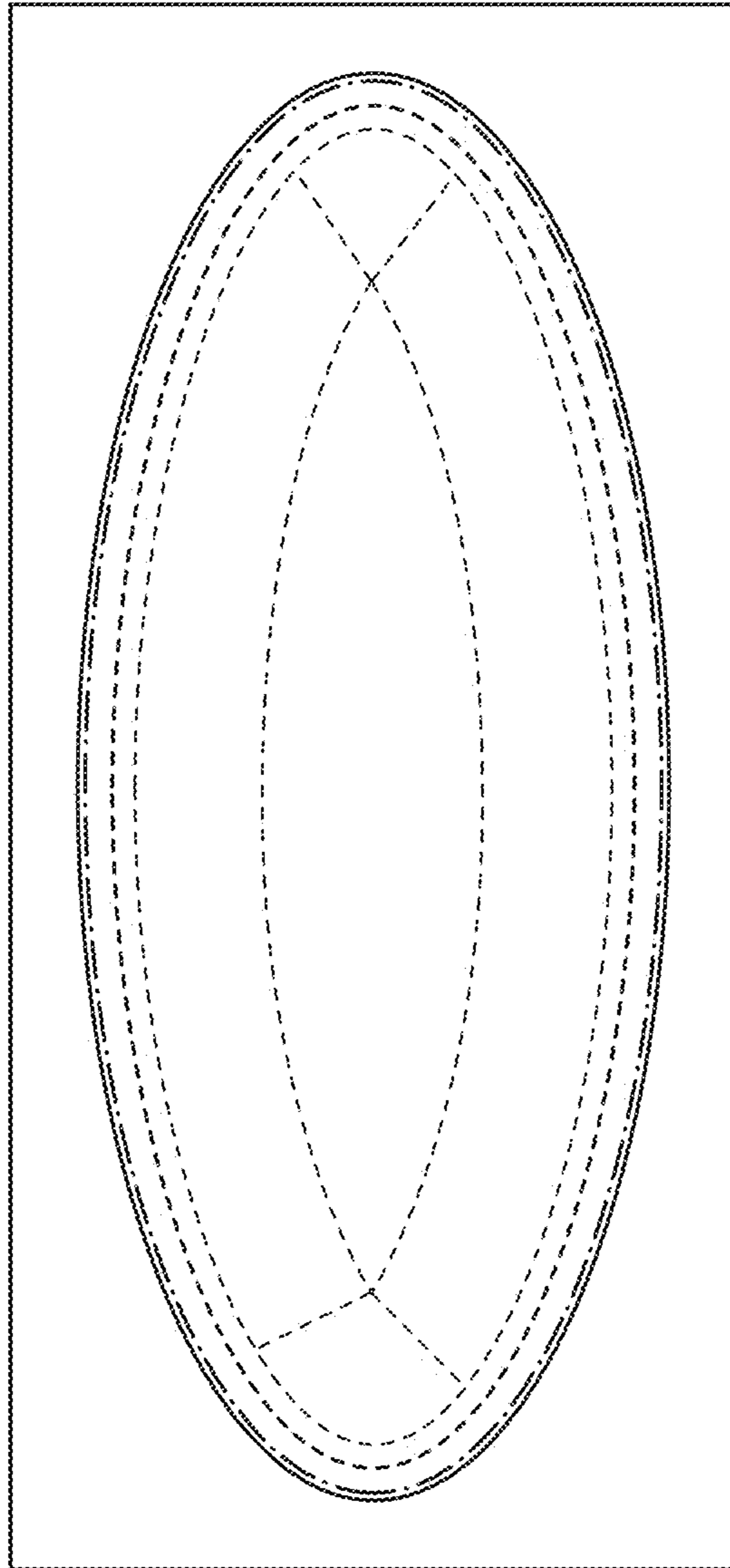


FIG. 7

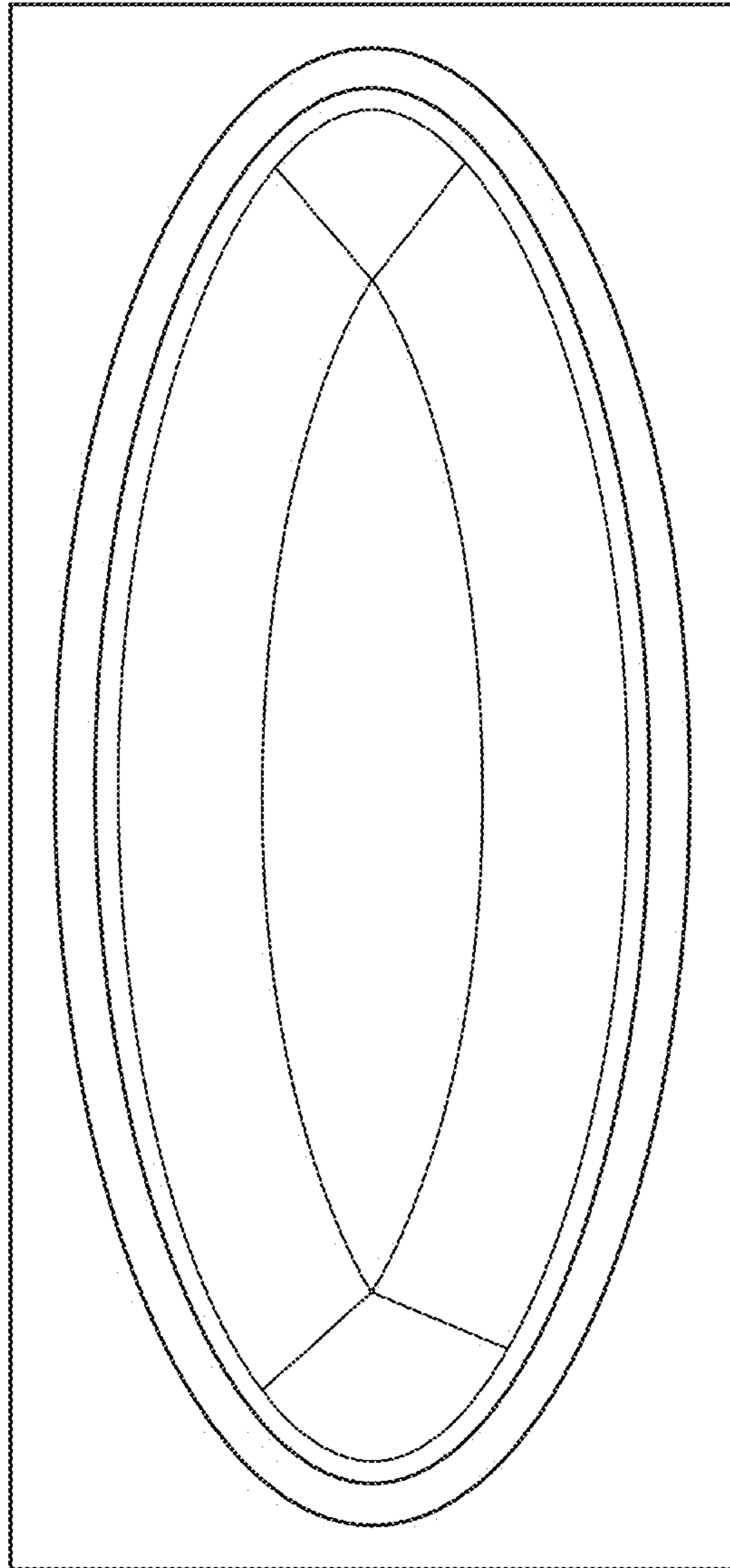


FIG. 8