



US00D984882S

(12) **United States Design Patent**
Wang et al.

(10) **Patent No.:** **US D984,882 S**

(45) **Date of Patent:** **** May 2, 2023**

(54) **UNIT DOSE CONTAINER**

(71) Applicant: **Brilliant Pharma LLC**, Monmouth Junction, NJ (US)

(72) Inventors: **Nuo Wang**, Newtown, PA (US);
Shaohui Lin, Princeton, NJ (US)

(73) Assignee: **Brilliant Pharma LLC**, Monmouth Junction, NJ (US)

(**) Term: **15 Years**

(21) Appl. No.: **29/784,852**

(22) Filed: **May 21, 2021**

Related U.S. Application Data

(63) Continuation of application No. PCT/US2020/055962, filed on Oct. 16, 2020.

(51) **LOC (14) Cl.** **09-03**

(52) **U.S. Cl.**
USPC **D9/418**

(58) **Field of Classification Search**
USPC D9/414, 415, 416, 418, 430-433, 428,
D9/429, 424, 500, 503, 707;
(Continued)

(56) **References Cited**

U.S. PATENT DOCUMENTS

D474,110 S * 5/2003 Sweeney D9/425
D476,735 S * 7/2003 Zinnbauer D24/121
(Continued)

FOREIGN PATENT DOCUMENTS

GB 2498449 A * 7/2013 B65D 1/46
KR 20210087135 A * 7/2021

OTHER PUBLICATIONS

Velveeta Mac and Cheese Single Serve Cup on YouTube. Date posted: Nov. 7, 2021. Site visited: Dec. 9, 2022. Available online: <https://www.youtube.com/watch?v=aoyCKmyDRns> (Year: 2021).*

(Continued)

Primary Examiner — Catherine S Posthauer

Assistant Examiner — Joan E. Diehl

(74) *Attorney, Agent, or Firm* — Fox Rothschild LLP

(57) **CLAIM**

The ornamental design for a unit dose container, as shown and described.

DESCRIPTION

FIG. 1 is a perspective view of a first embodiment of a unit dose container showing the new design;

FIG. 2 is a front view of the first embodiment;

FIG. 3 is a rear view of the first embodiment;

FIG. 4 is a right view of the first embodiment;

FIG. 5 is a left view of the first embodiment;

FIG. 6 is a top view of the first embodiment;

FIG. 7 is a bottom view of the first embodiment; and

FIG. 8 is a cross-sectional view of the first embodiment taken along axis 8-8 of FIG. 6.

FIG. 9 is a perspective view of a second embodiment of the unit dose container showing the new design;

FIG. 10 is a front view of the second embodiment;

FIG. 11 is a rear view of the second embodiment;

FIG. 12 is a right view of the second embodiment;

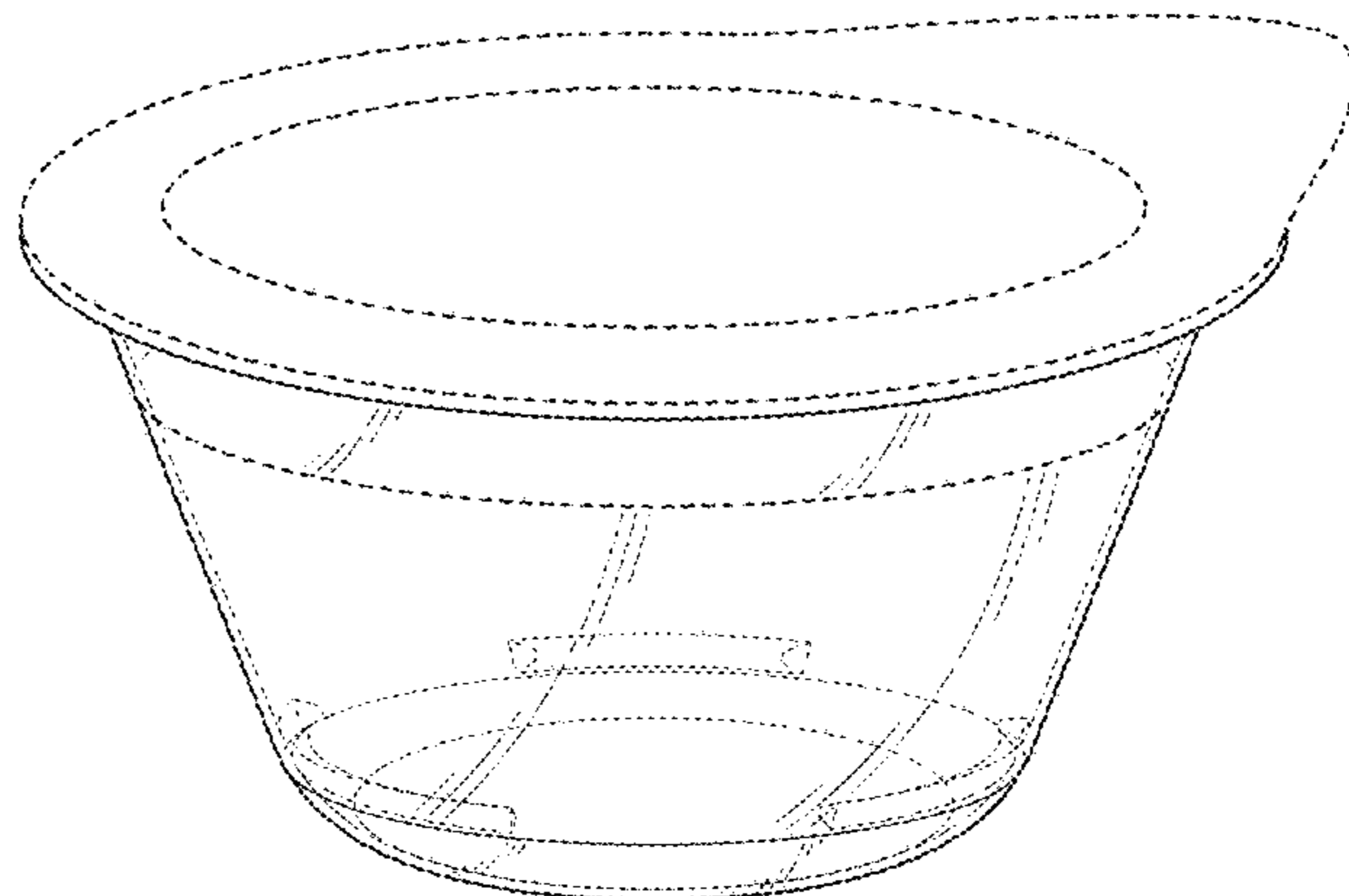
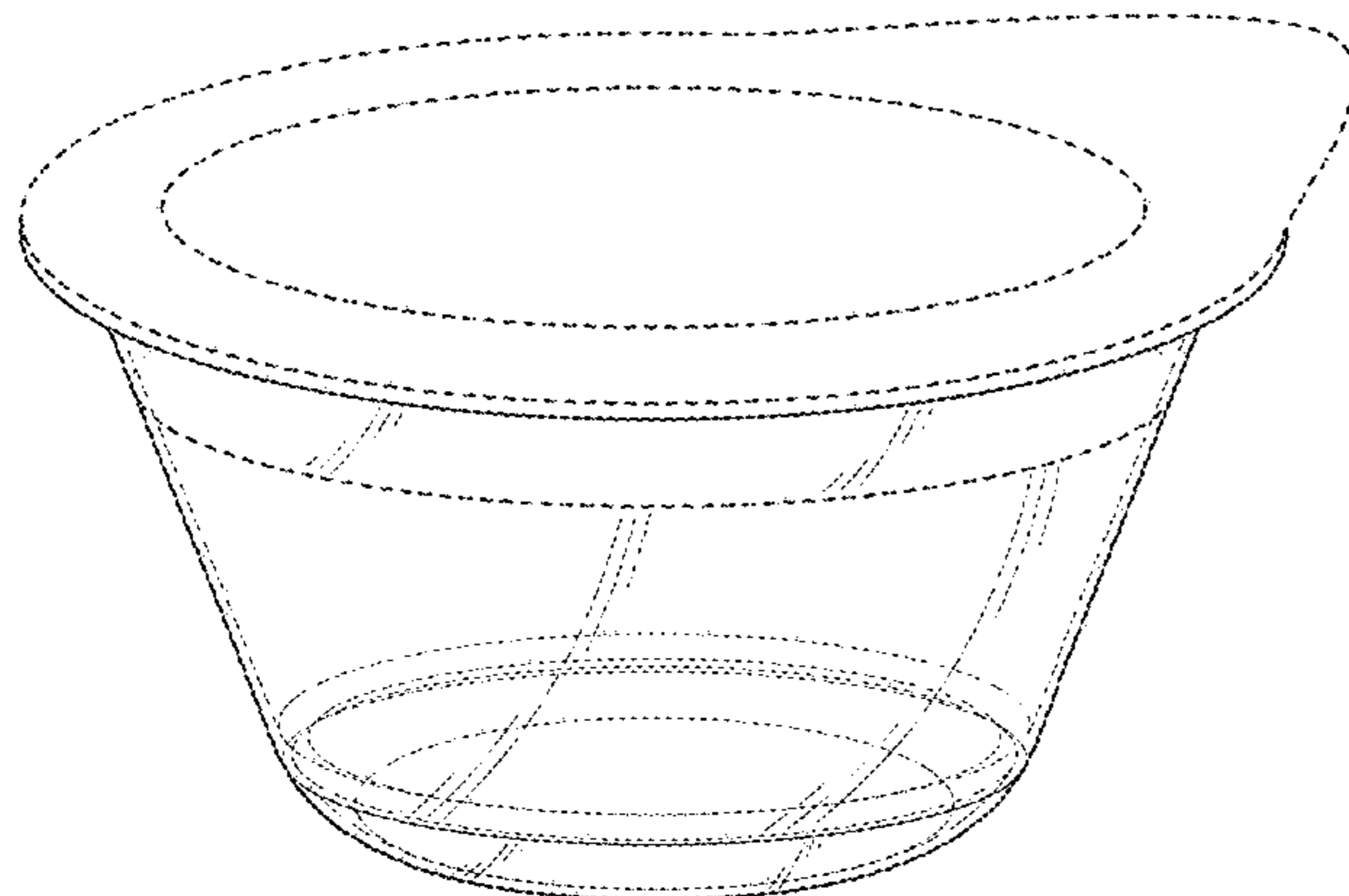
FIG. 13 is a left view of the second embodiment;

FIG. 14 is a top view of the second embodiment;

FIG. 15 is a bottom view of the second embodiment; and, FIG. 16 is a cross-sectional view of the second embodiment taken along axis 16-16 of FIG. 14.

The broken lines are show for the purpose of illustrating parts of the article that form no part of the claimed design.

1 Claim, 16 Drawing Sheets



(58) **Field of Classification Search**

USPC D7/397-399, 400, 387, 630, 602, 589;
D24/227, 230, 104; D19/102, 103, 104;
D28/82
CPC B65D 85/804; B65D 85/8043; B65D
85/8046; B65D 5/50; B65D 5/00; B65D
5/42; A61J 1/20; A61J 1/1468; A61J 1/18
See application file for complete search history.

D823,051 S * 7/2018 Sharma D9/503
D845,771 S * 4/2019 Davila Bracho D9/500
D868,543 S * 12/2019 Carrette D7/602
D906,801 S * 1/2021 Ryan D9/428
2022/0257469 A1* 8/2022 Wang A61K 9/1652

OTHER PUBLICATIONS

Glass Serving Bowl on Ebay. Date posted: Aug. 25, 2022. Site visited: Dec. 9, 2022. Available online: <https://www.ebay.com/itm/294060227055> (Year: 2022).*

Nestle Coffee mate Coffee Creamer. Date first available: Nov. 13, 2018. Site visited: Dec. 9, 2022. Available online: <https://www.amazon.com/Nestle-Coffee-Creamer-Portions-vanilla/dp/B009FS5TM2> (Year: 2018).*

Medical Supply Saline Solution. Date first available: May 22, 2019. Site visited: Dec. 9, 2022. Available online: https://www.amazon.com/AMZ-Solution-Irrigation-Injection-Foil-Lidded/dp/B08QJNX8PQ/ref=sr_1_46 (Year: 2019).*

* cited by examiner

(56) **References Cited**

U.S. PATENT DOCUMENTS

D493,105 S * 7/2004 Childs D9/425
D520,185 S * 5/2006 Zeng D28/8.1
D606,405 S * 12/2009 Takata D9/500
D647,398 S * 10/2011 Winkler D9/417
D651,096 S * 12/2011 Nakagiri D9/503
D671,830 S * 12/2012 Hudson D9/428
D691,468 S * 10/2013 Markoulis D9/428
D732,386 S * 6/2015 Paton D9/428

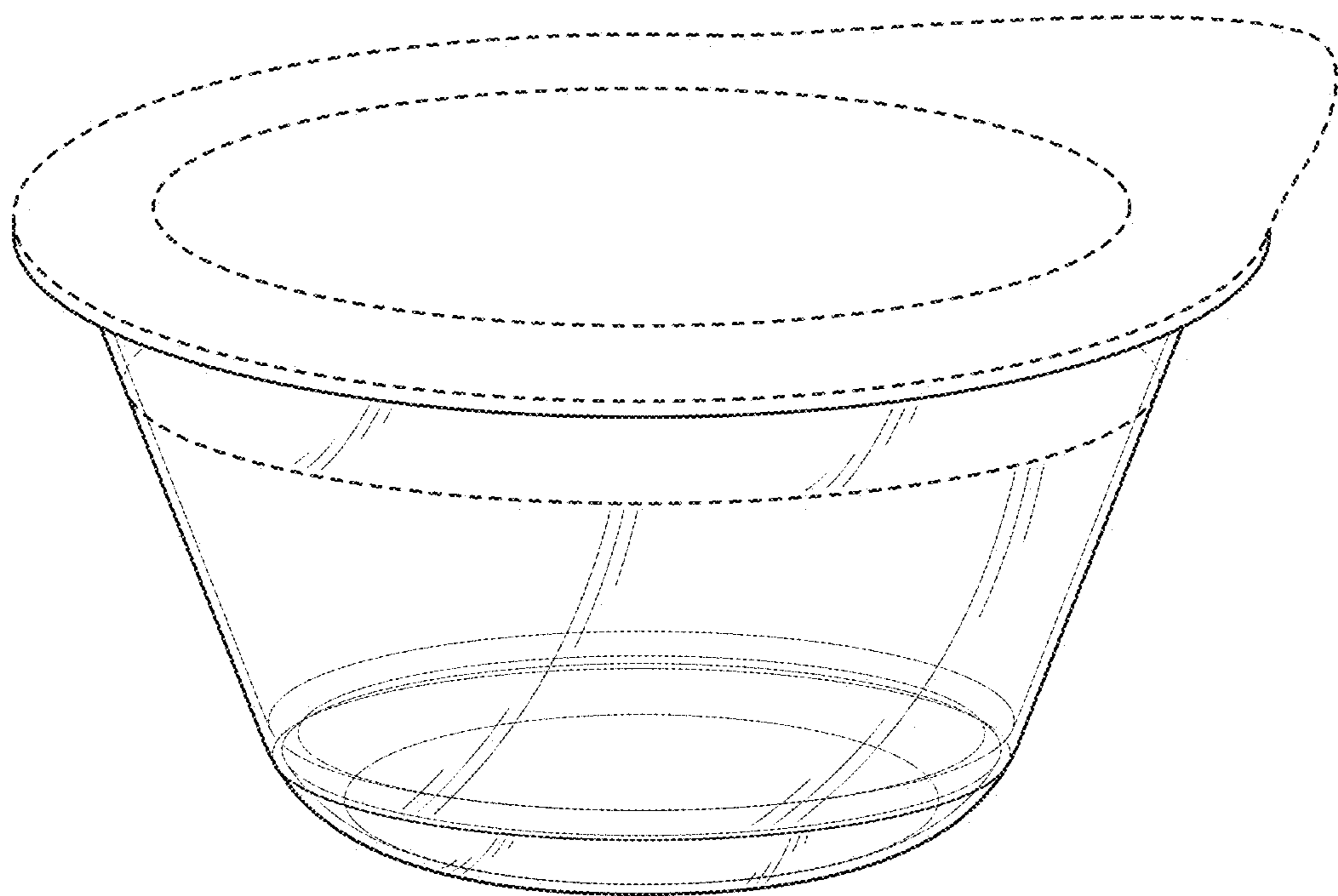


FIG. 1

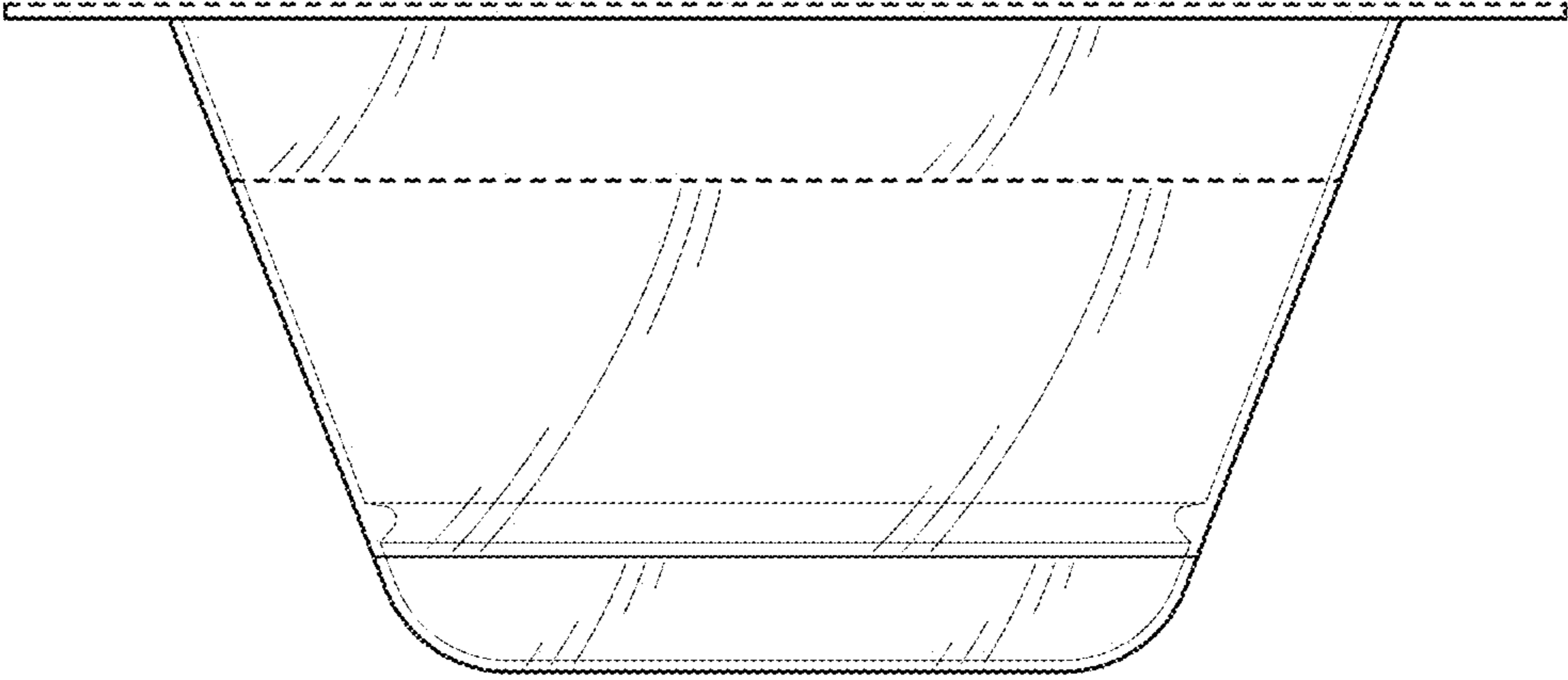


FIG. 2

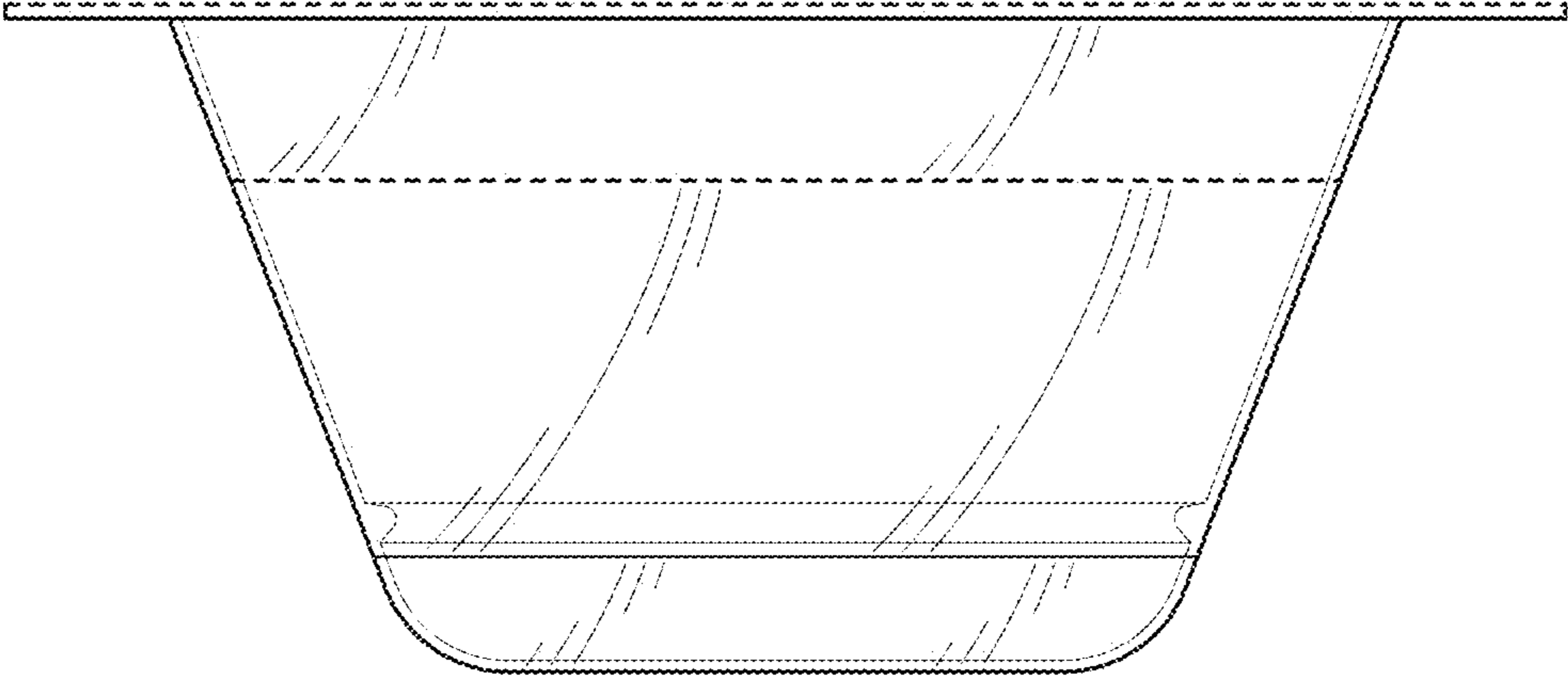


FIG. 3

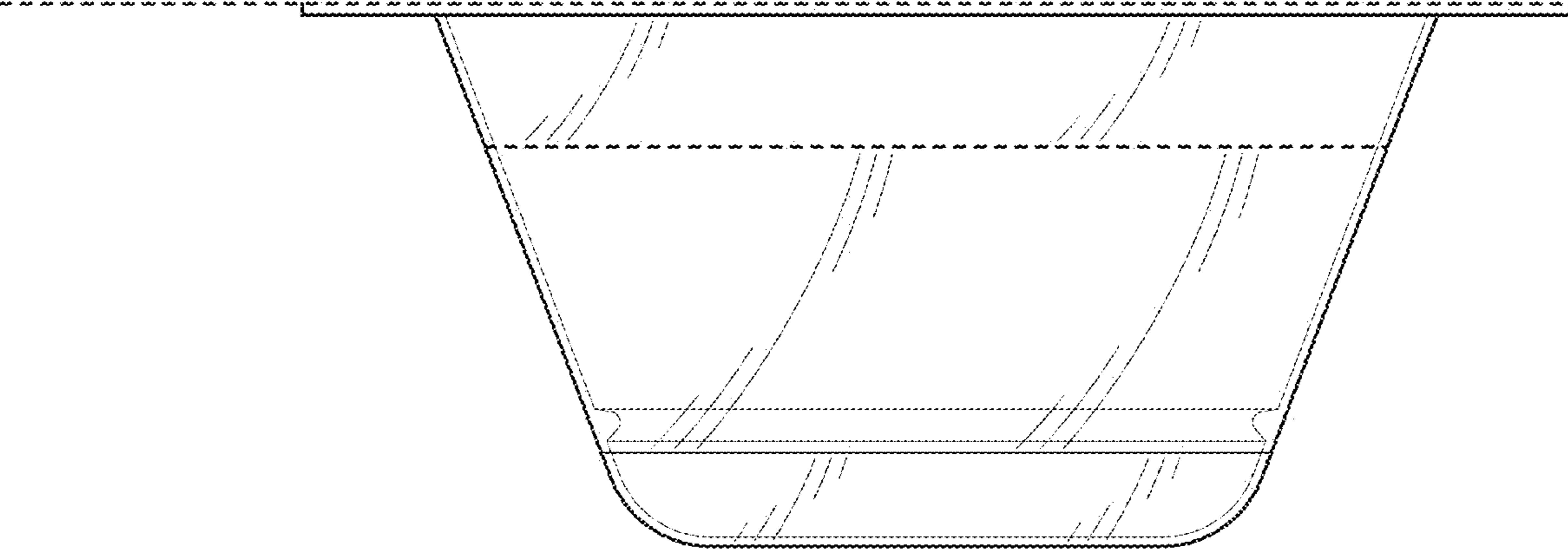


FIG. 4

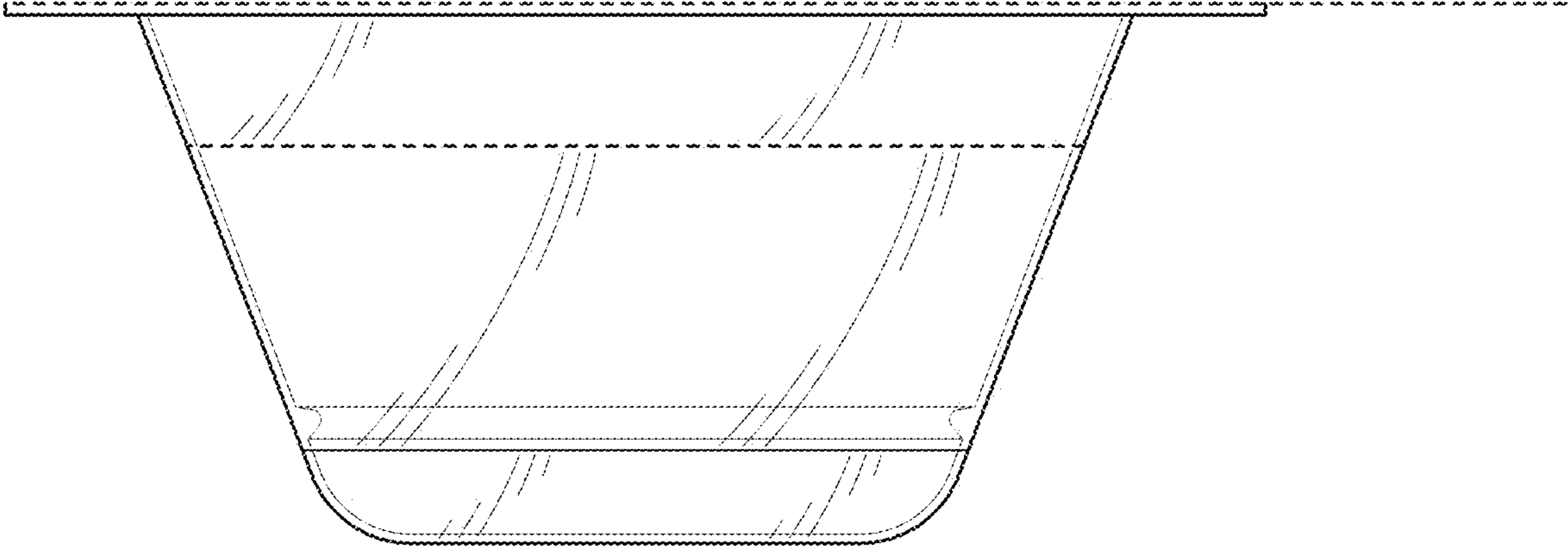


FIG. 5

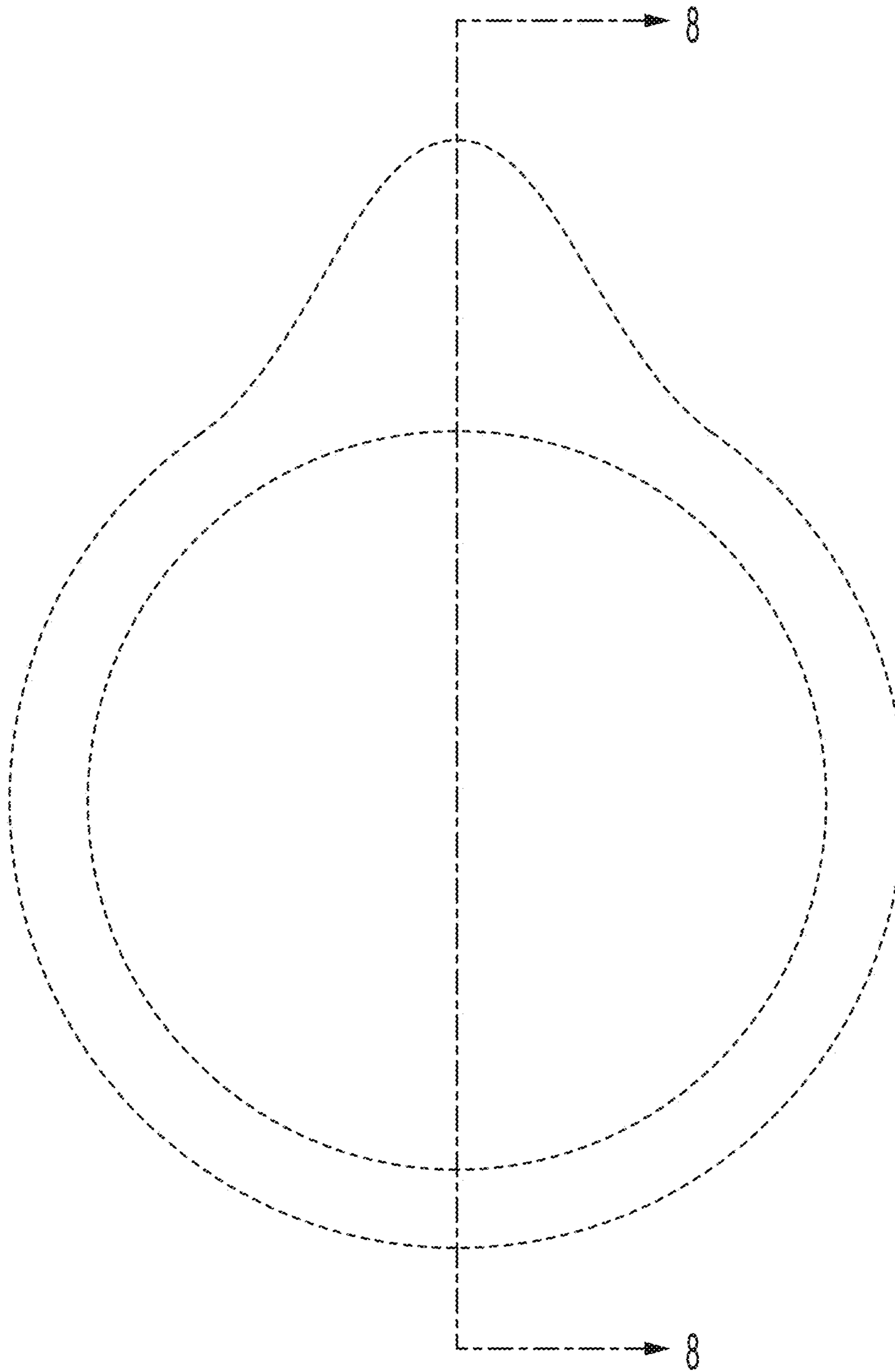


FIG. 6

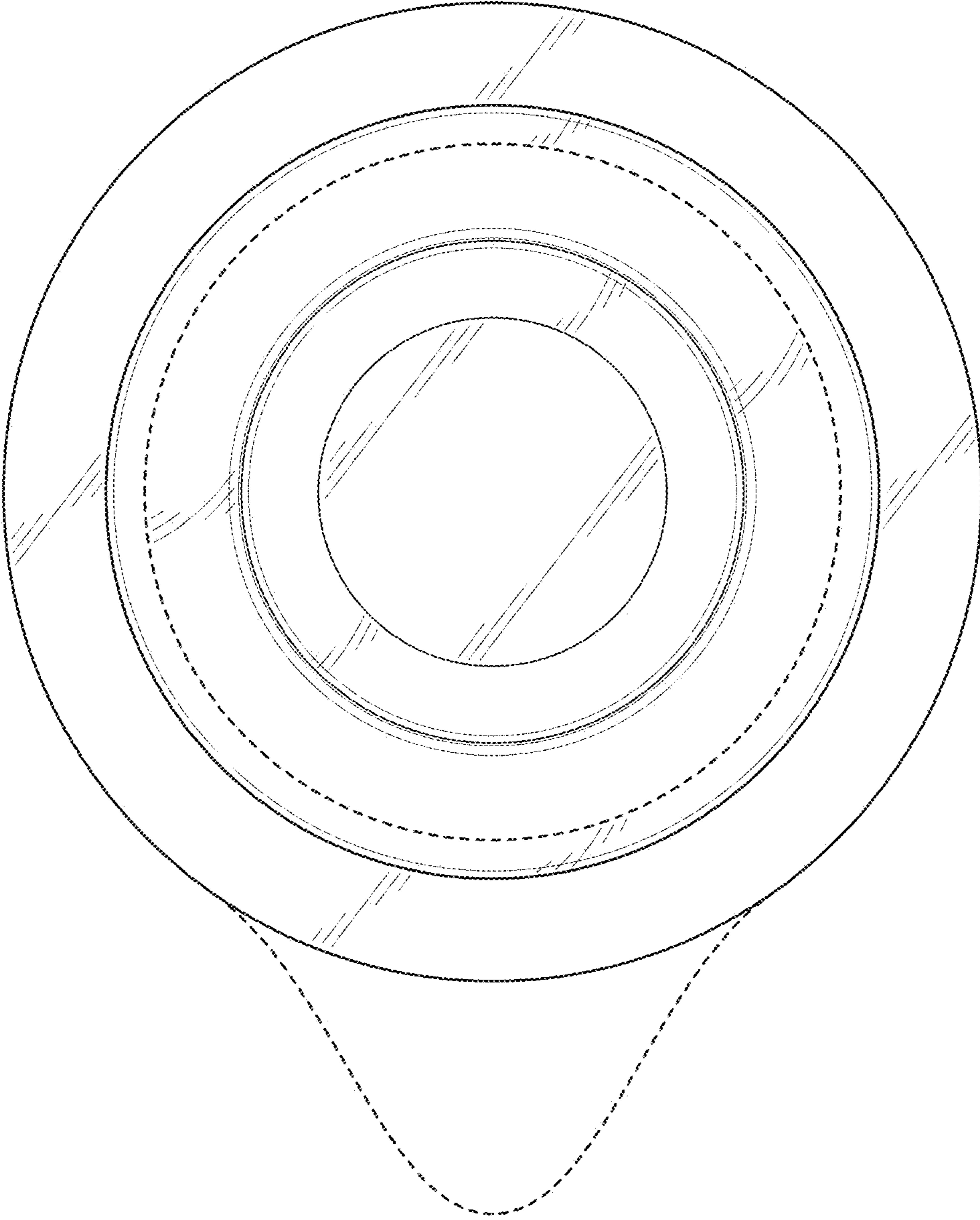


FIG. 7

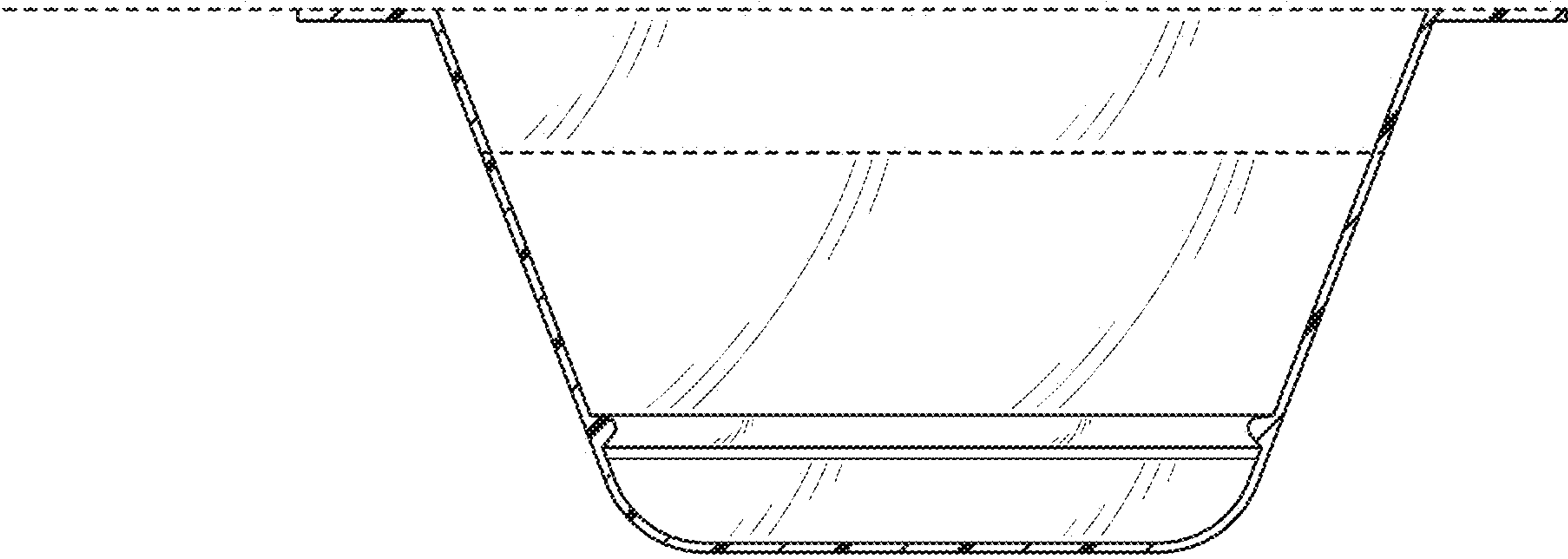


FIG. 8

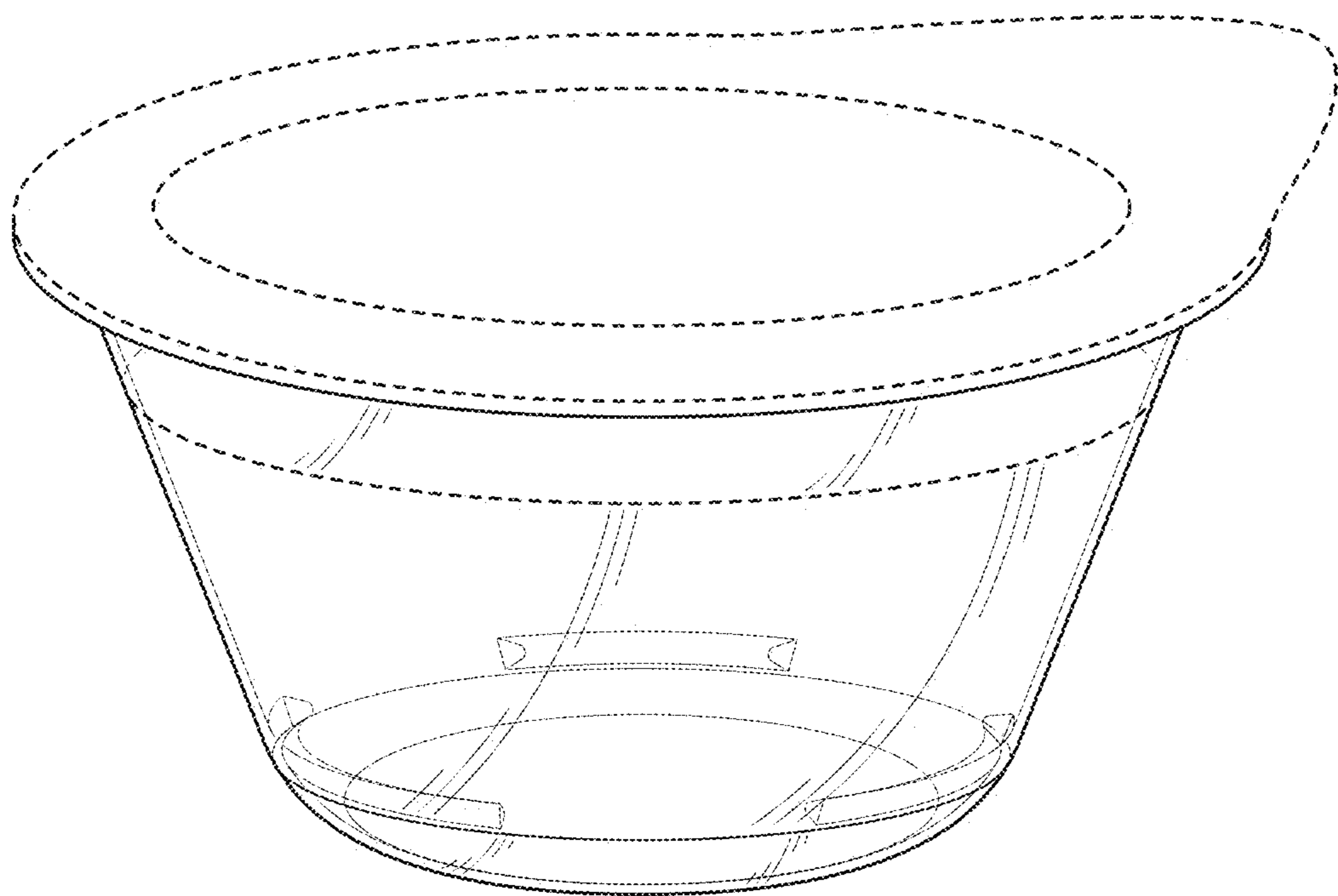


FIG. 9

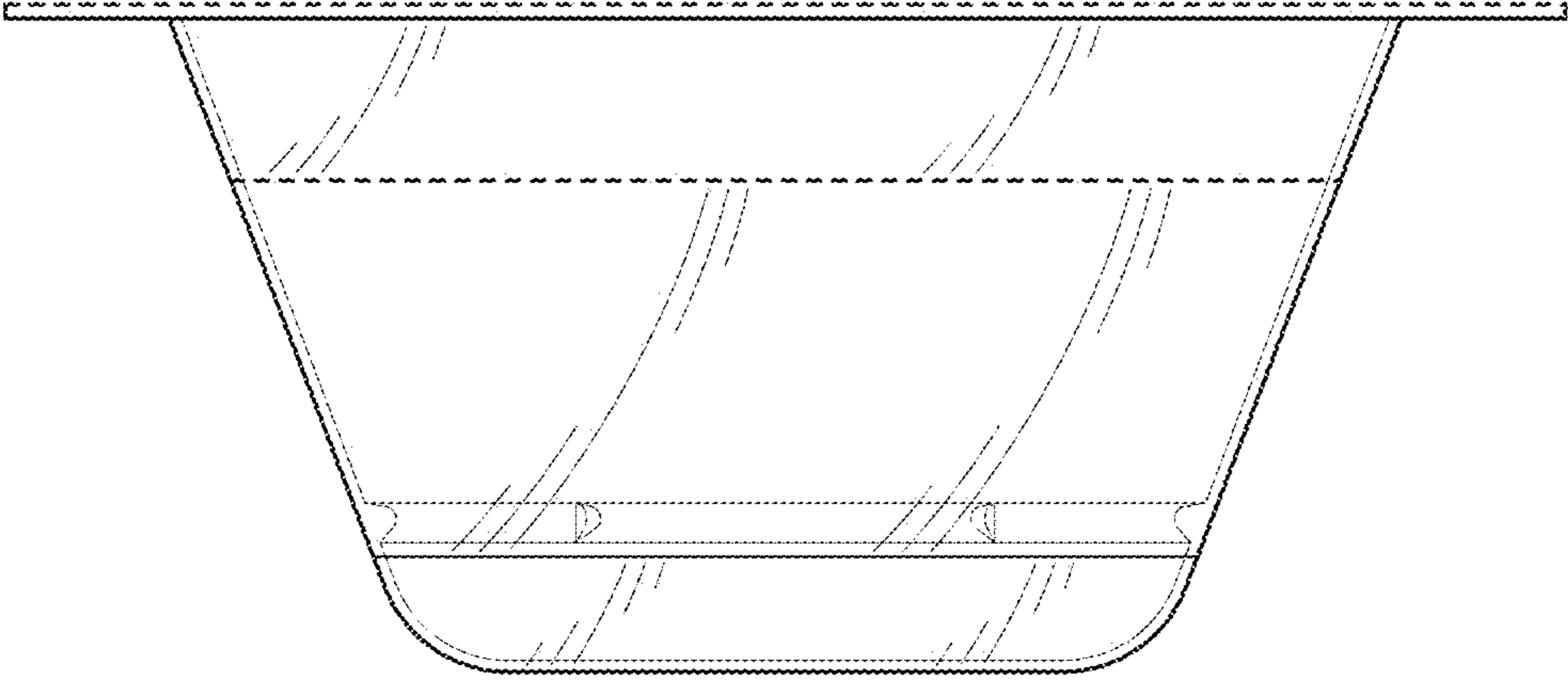


FIG. 10

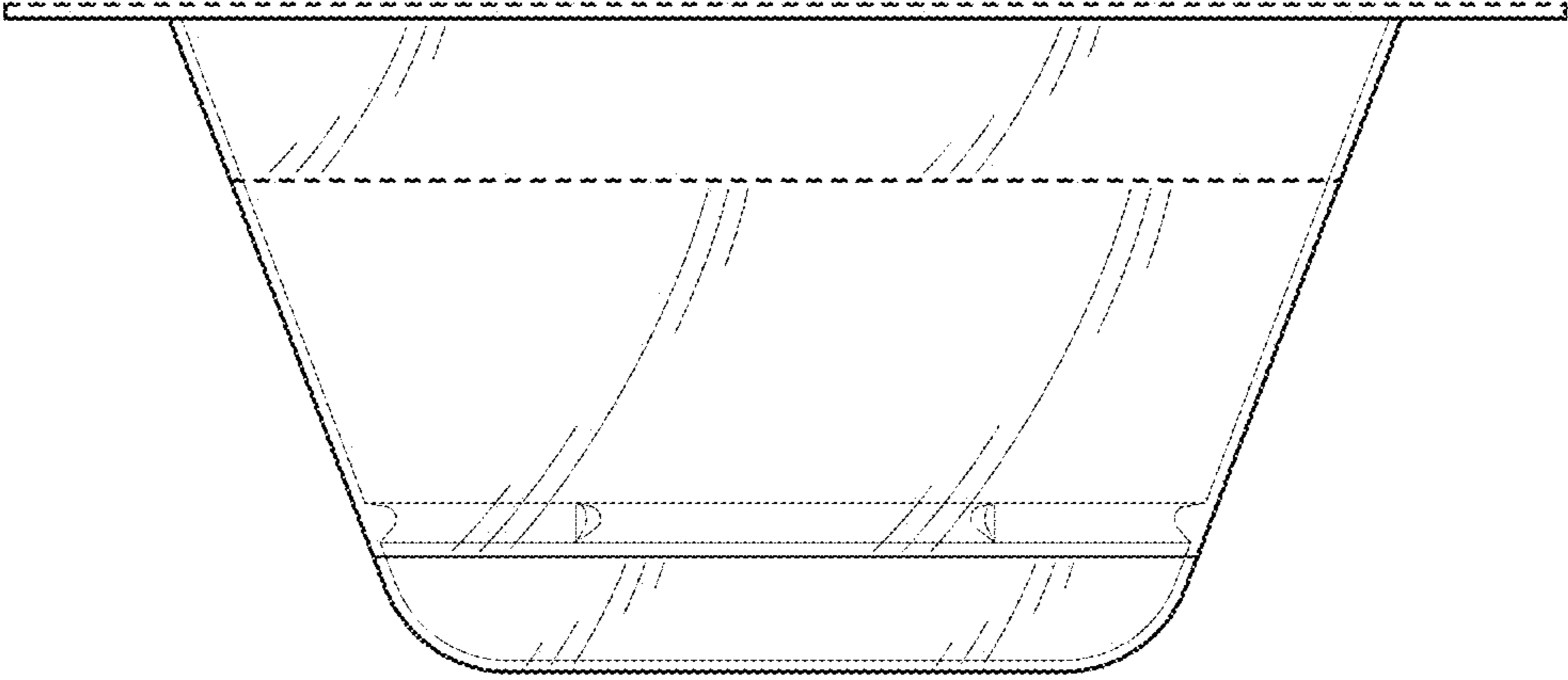


FIG. 11

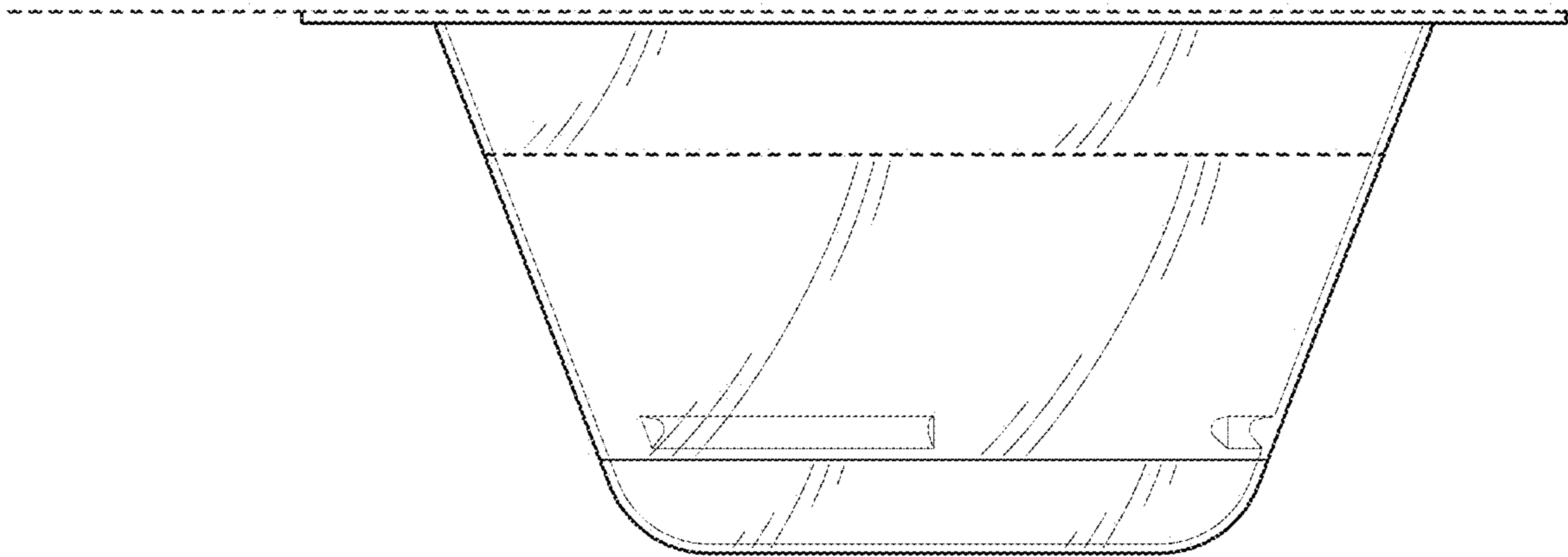


FIG. 12

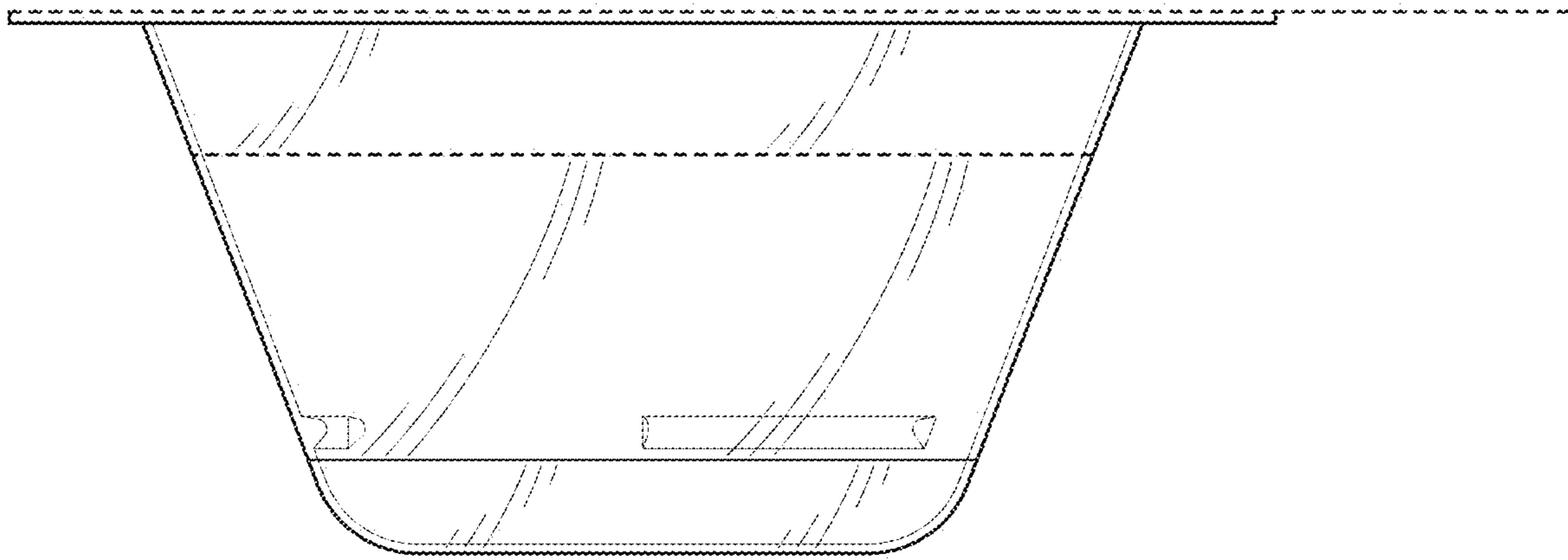


FIG. 13

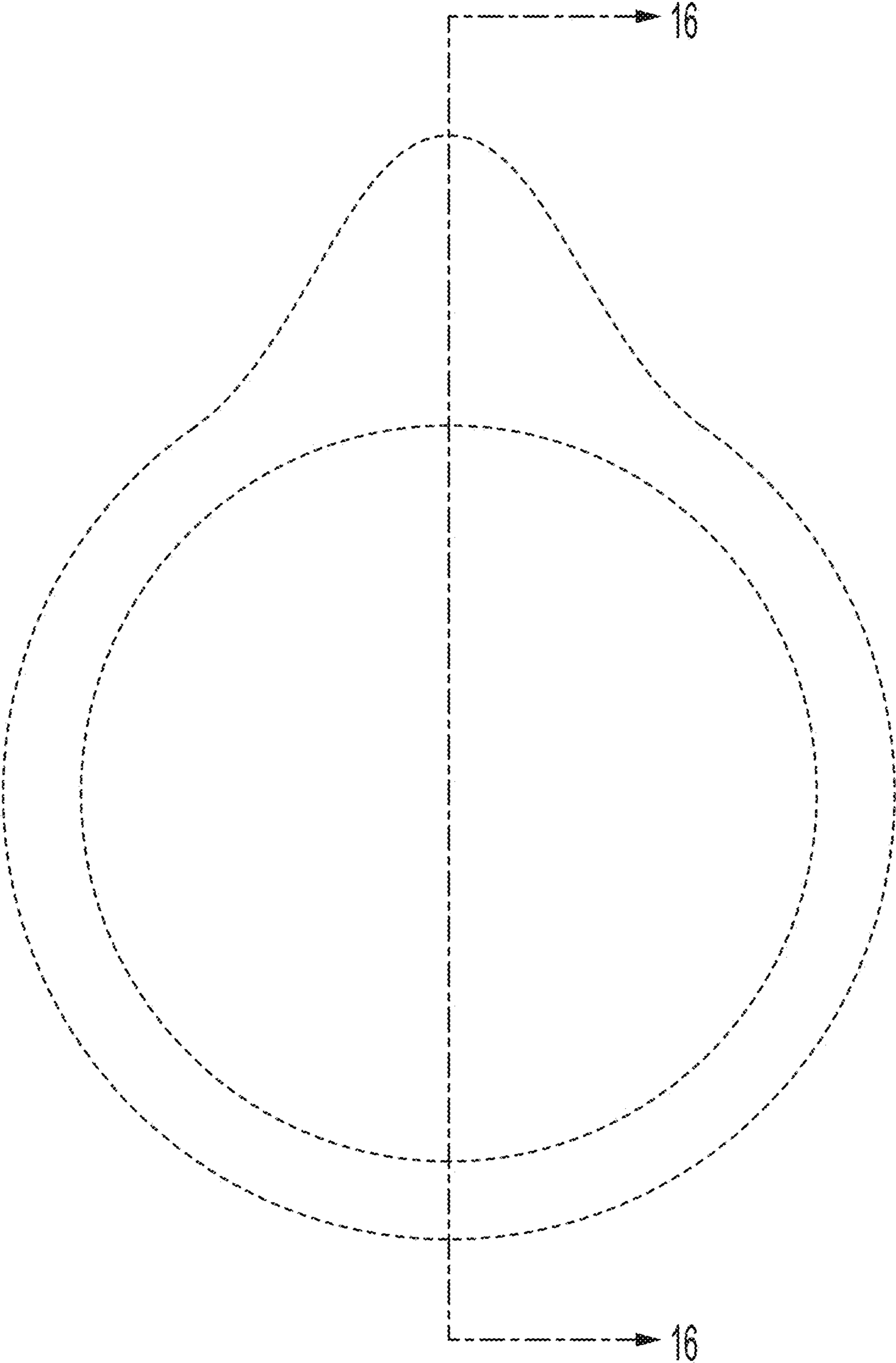


FIG. 14

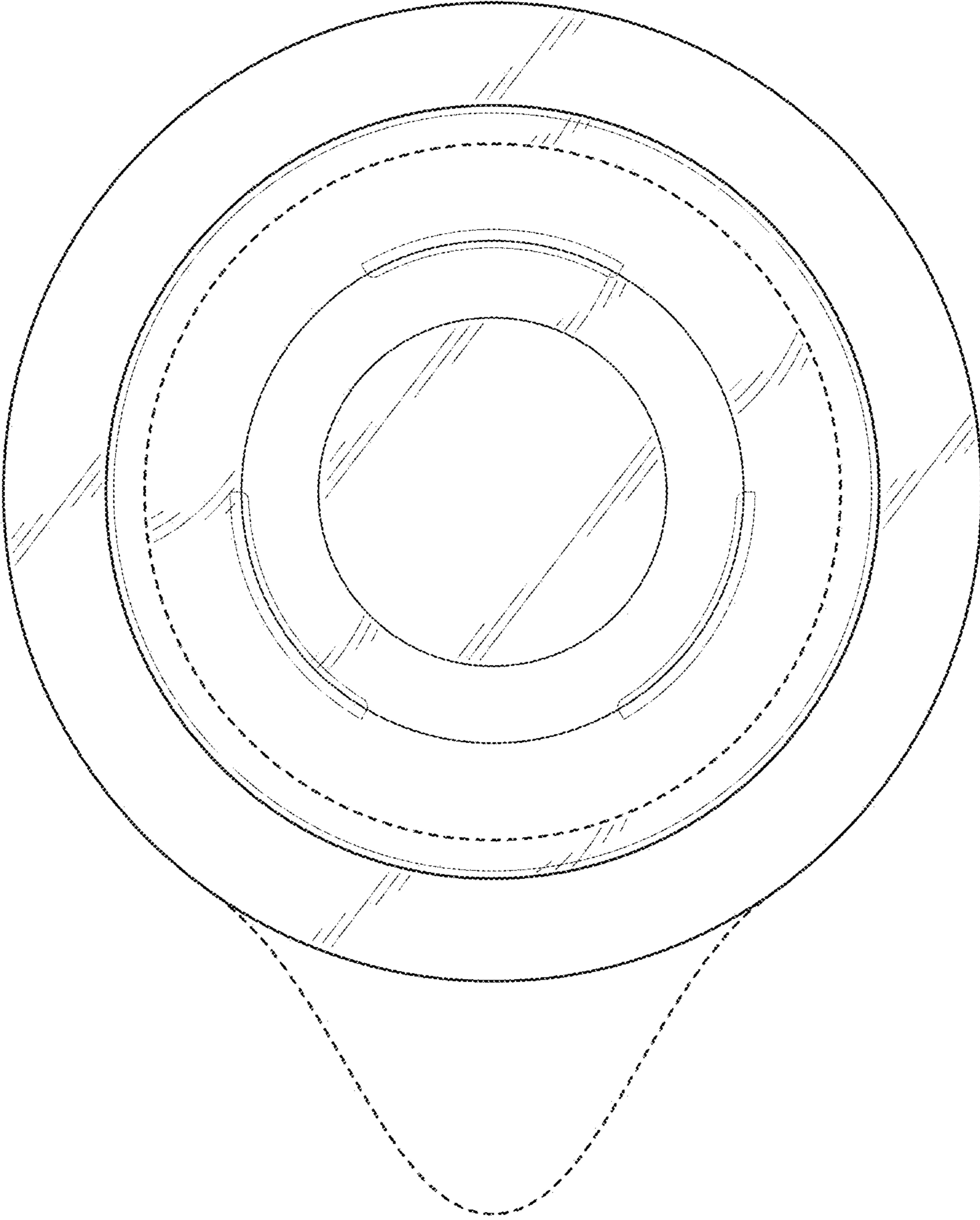


FIG. 15

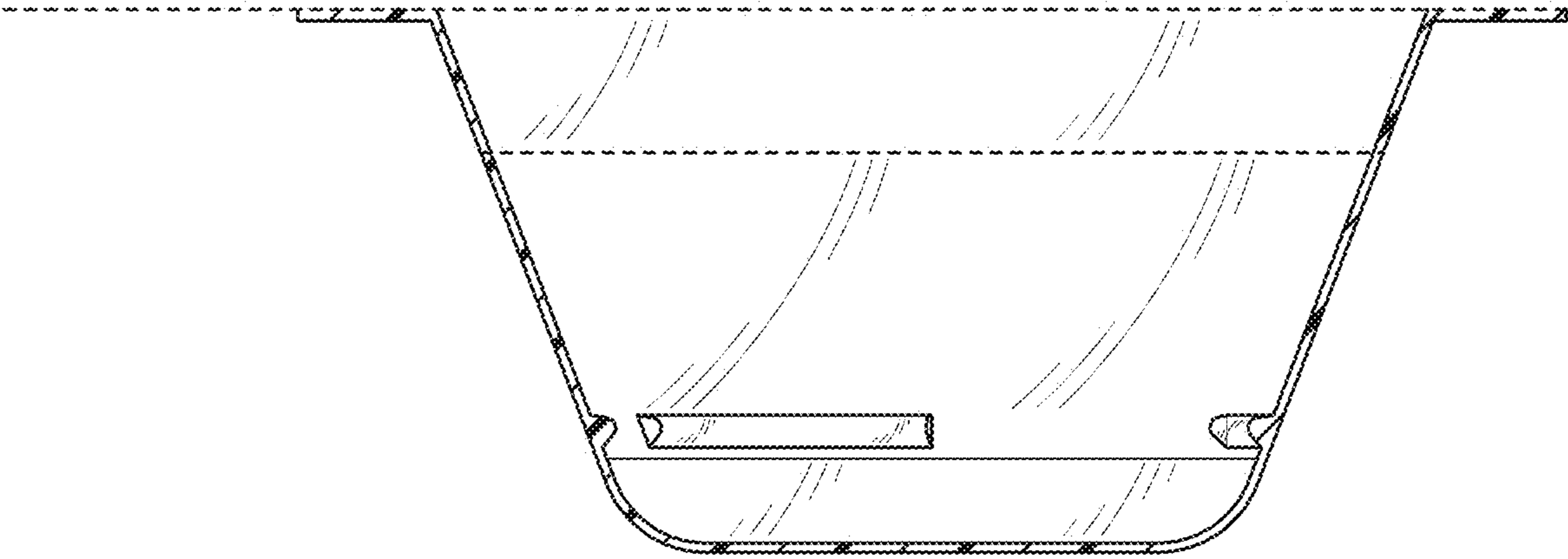


FIG. 16