



US00D984879S

(12) **United States Design Patent** (10) **Patent No.:** **US D984,879 S**  
**Mei** (45) **Date of Patent:** **\*\* May 2, 2023**

(54) **WINDOW CURTAIN ROD**

(71) Applicant: **Dongguan Runyuan Tianhong Technology Co., Ltd., Dongguan (CN)**

(72) Inventor: **Chengxian Mei, Dongguan (CN)**

(73) Assignee: **Dongguan Runyuan Tianhong Technology Co., Ltd., Dongguan (CN)**

(\*\*) Term: **15 Years**

(21) Appl. No.: **29/859,282**

(22) Filed: **Nov. 9, 2022**

(51) **LOC (14) Cl.** ..... **08-05**

(52) **U.S. Cl.**  
USPC ..... **D8/376**

(58) **Field of Classification Search**  
USPC ..... D8/373, 376, 377; D21/679; D6/524, D6/546, 547, 549, 681, 681.1  
CPC ..... A47H 1/142; A47H 1/022; A47H 1/02; A47H 1/102; A47H 1/122; A47H 2001/0215; A47H 1/04  
See application file for complete search history.

(56) **References Cited**

**U.S. PATENT DOCUMENTS**

988,200	A *	3/1911	Logsdon	.....	A47H 1/022 211/105.6
1,500,049	A *	7/1924	Brooks	.....	A47H 1/022 211/105.6
1,548,053	A *	8/1925	Mead	.....	A47H 1/022 248/200.1
D561,274	S *	2/2008	Turner	.....	D21/679
D583,425	S *	12/2008	Kushner	.....	D21/691
D592,944	S	5/2009	Kollman et al.		
D737,605	S *	9/2015	Hornsby	.....	D8/376
D867,864	S *	11/2019	Haruta	.....	D8/376
10,478,019	B2 *	11/2019	Pegden	.....	A47H 1/102

D944,077	S	2/2022	Quatraro et al.		
2011/0241555	A1 *	10/2011	Lin	.....	H05B 47/19 315/159
2012/0187062	A1 *	7/2012	Sadler, III	.....	A47H 1/022 29/525.01
2014/0076508	A1 *	3/2014	Mullet	.....	B23B 3/00 160/310
2014/0259368	A1 *	9/2014	Parker	.....	A47K 3/38 4/610
2017/0130525	A1 *	5/2017	Cheng	.....	E06B 9/323
2022/0160158	A1 *	5/2022	Scanlon	.....	A47H 1/102

\* cited by examiner

*Primary Examiner* — Lauren R Calve

(74) *Attorney, Agent, or Firm* — Georgi Korobanov

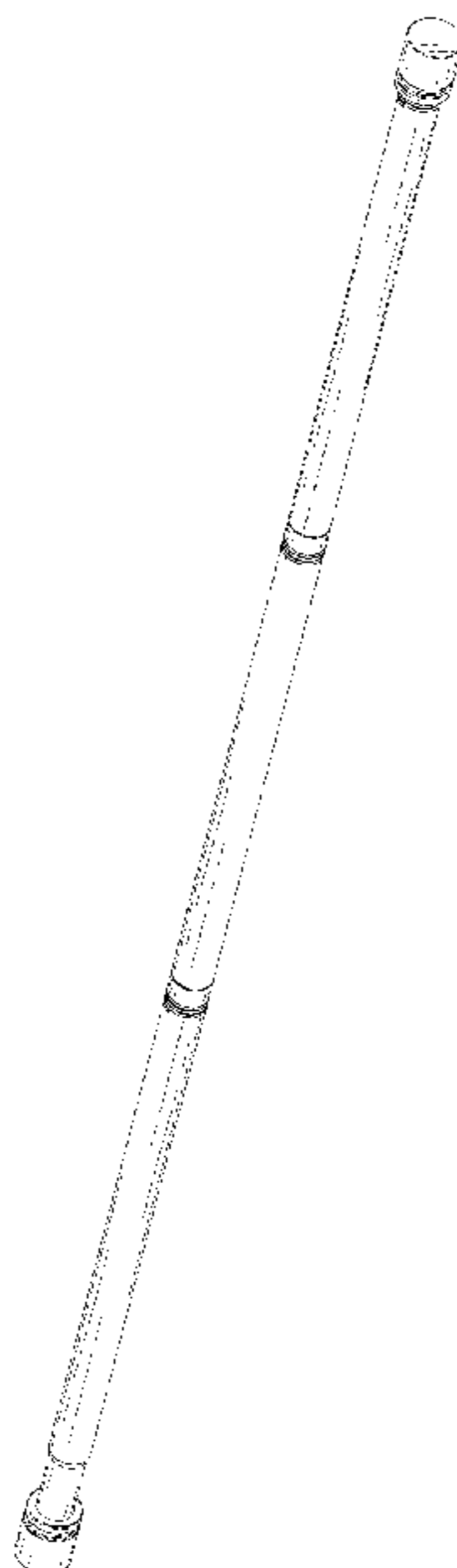
(57) **CLAIM**

The ornamental design for a window curtain rod, as shown and described.

**DESCRIPTION**

FIG. 1 is a front, right and top perspective view of a window curtain rod, showing my new design;  
FIG. 2 is a rear, left and bottom perspective view thereof;  
FIG. 3 is a front view thereof;  
FIG. 4 is a rear view thereof;  
FIG. 5 is a left side view thereof;  
FIG. 6 is a right side view thereof;  
FIG. 7 is an enlarged top plan view thereof;  
FIG. 8 is an enlarged bottom plan view thereof;  
FIG. 9 is a front, right and top perspective view of a window curtain rod in a use status;  
FIG. 10 is an enlarged view of portion 10 shown in FIG. 1;  
FIG. 11 is an enlarged view of portion 11 shown in FIG. 1; and,  
FIG. 12 is an enlarged view of portion 12 shown in FIG. 1.  
The dot-dash broken lines depict the boundaries of the enlargements that form no part of the claimed design.

**1 Claim, 12 Drawing Sheets**



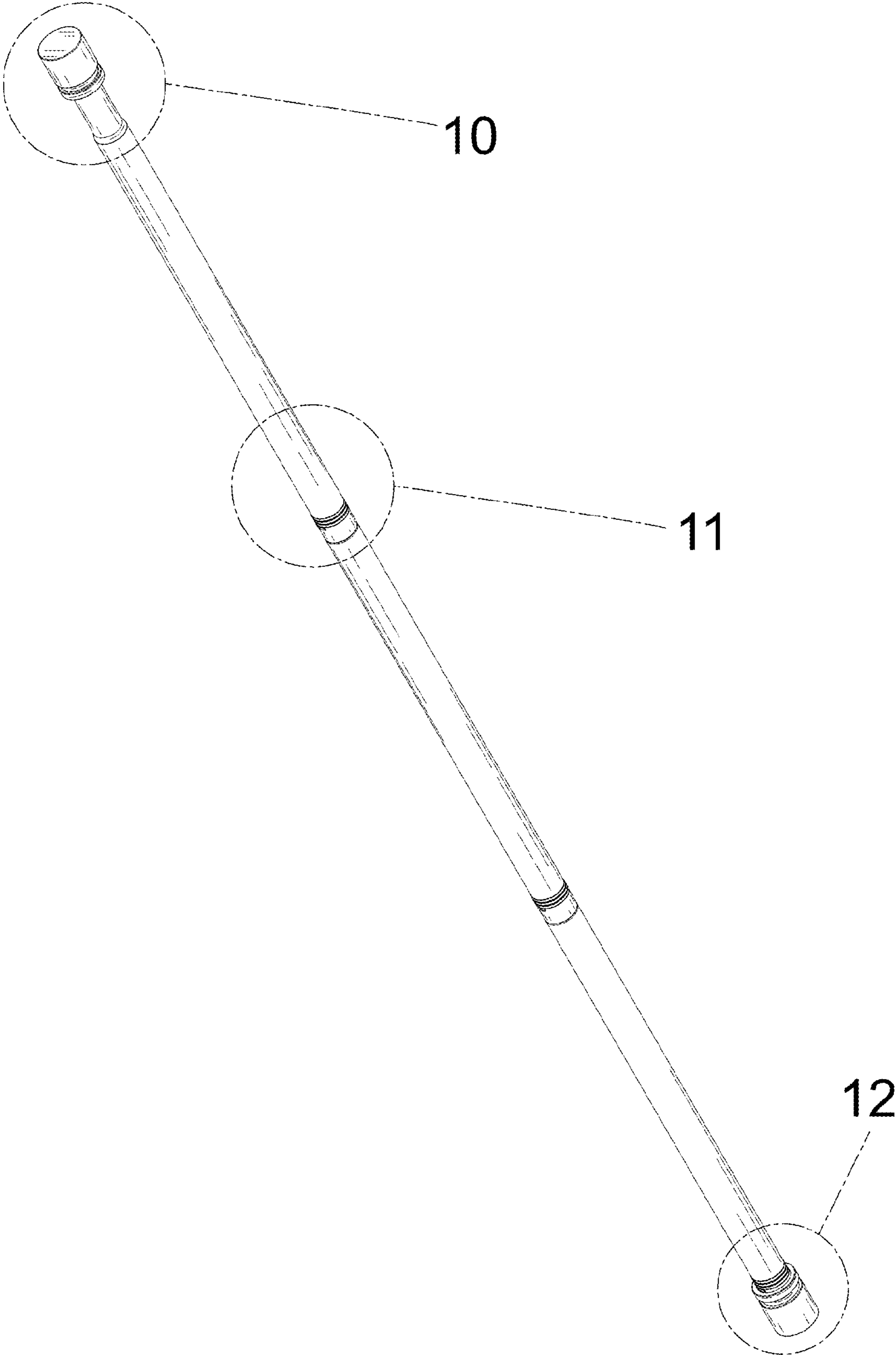


FIG. 1

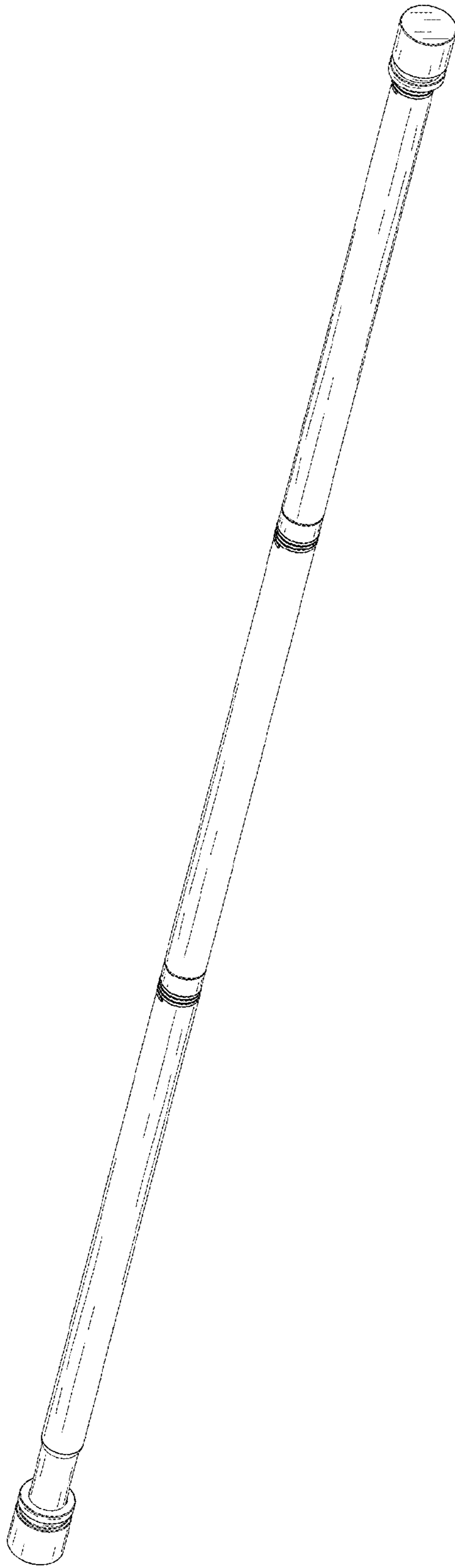


FIG. 2

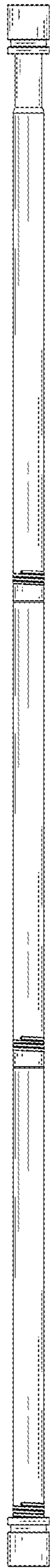


FIG. 3

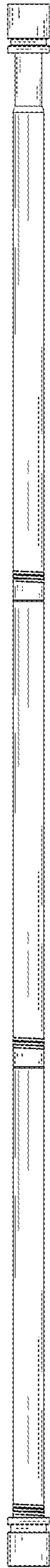


FIG. 4

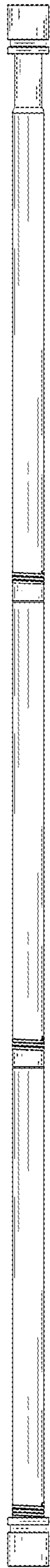


FIG. 5

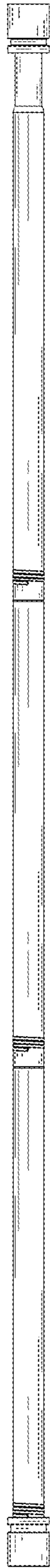


FIG. 6

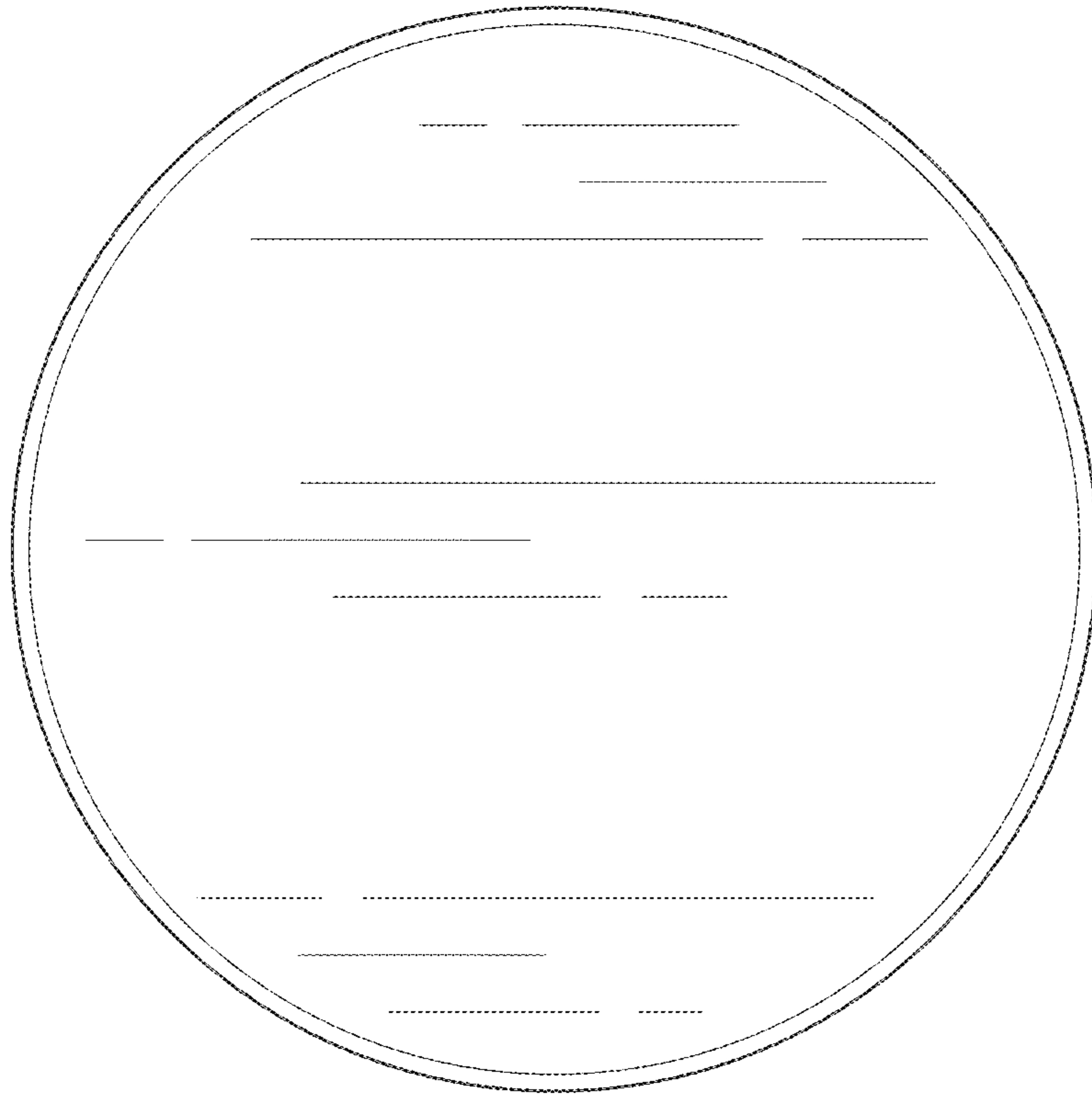


FIG. 7



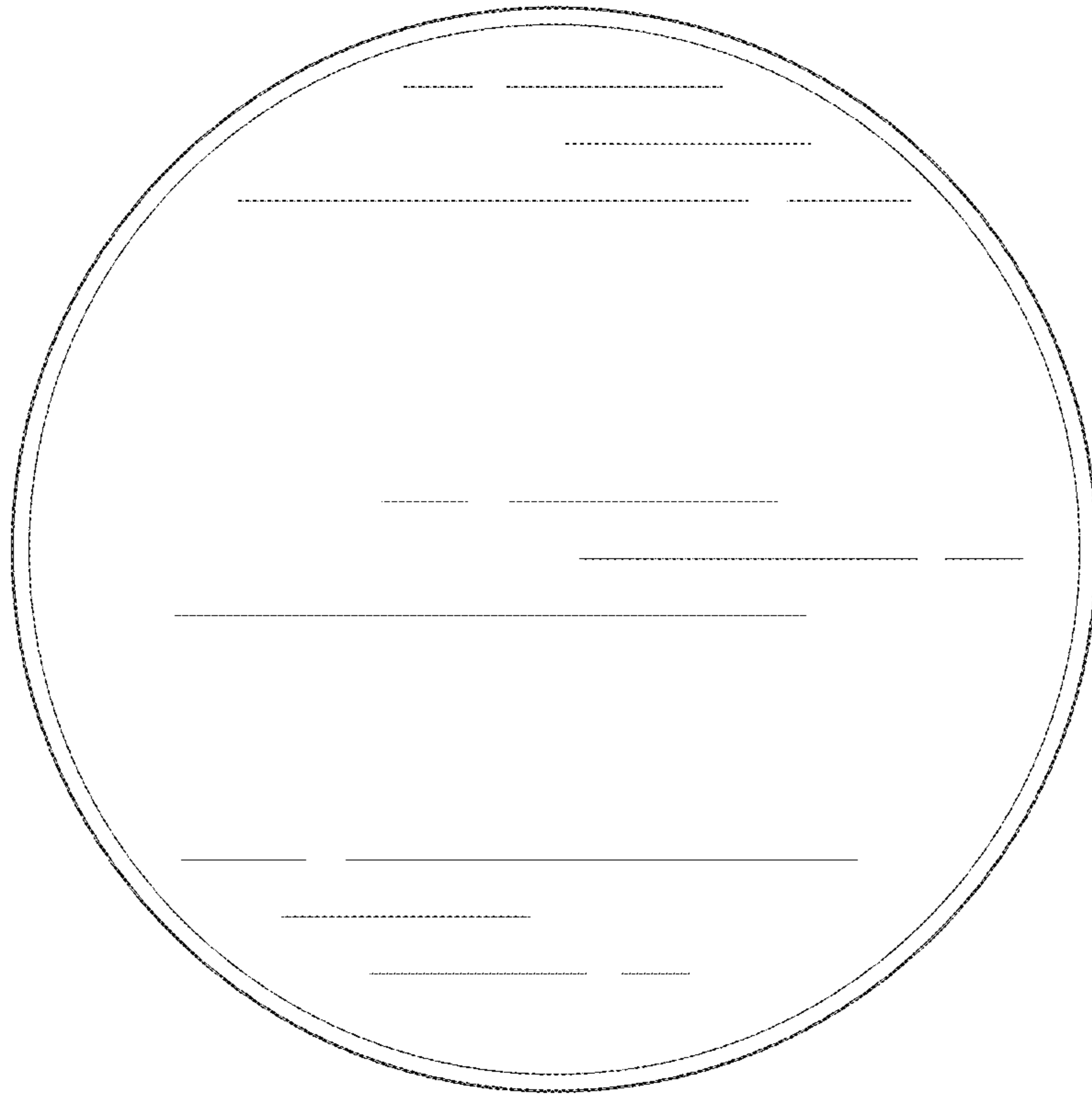


FIG. 8

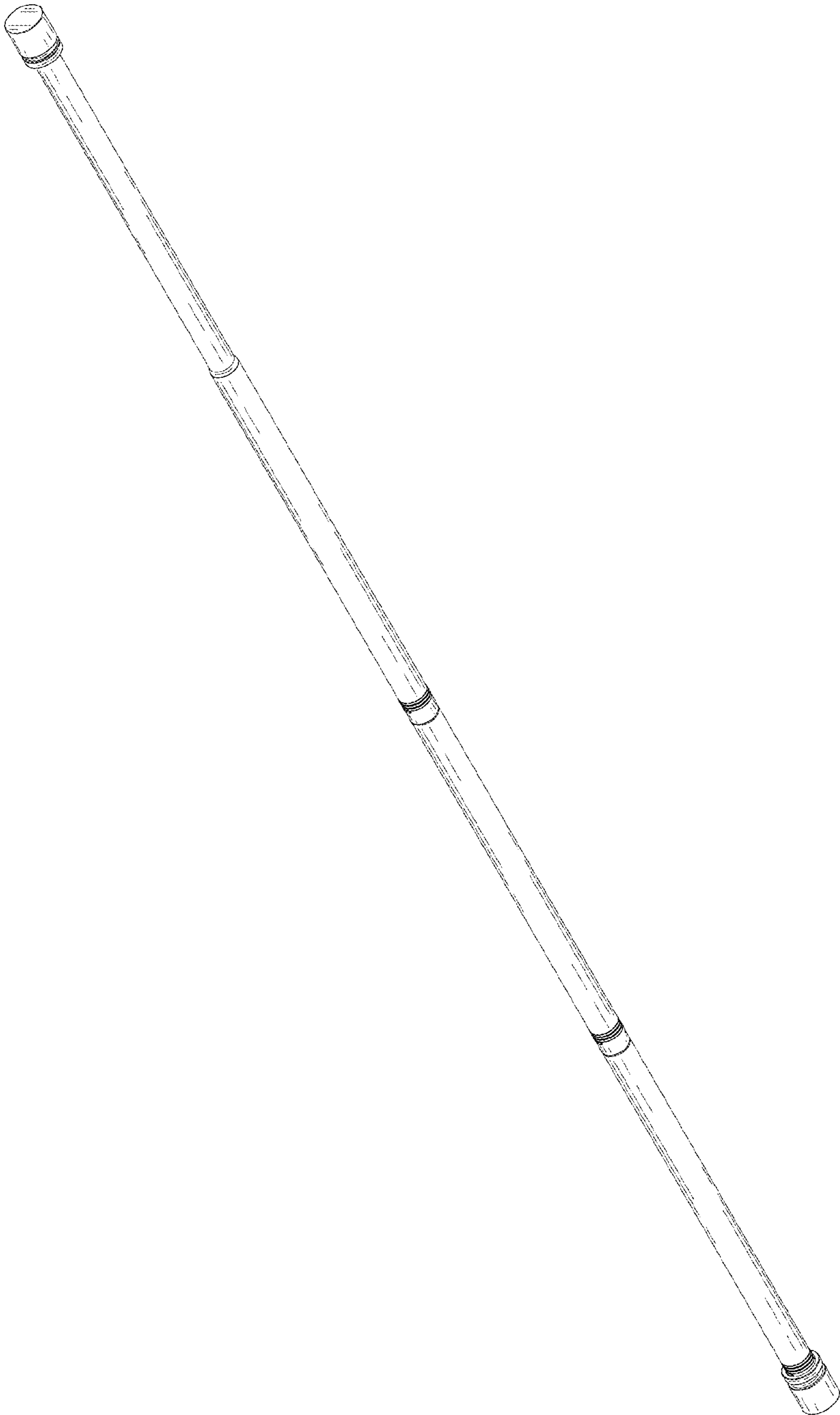


FIG. 9

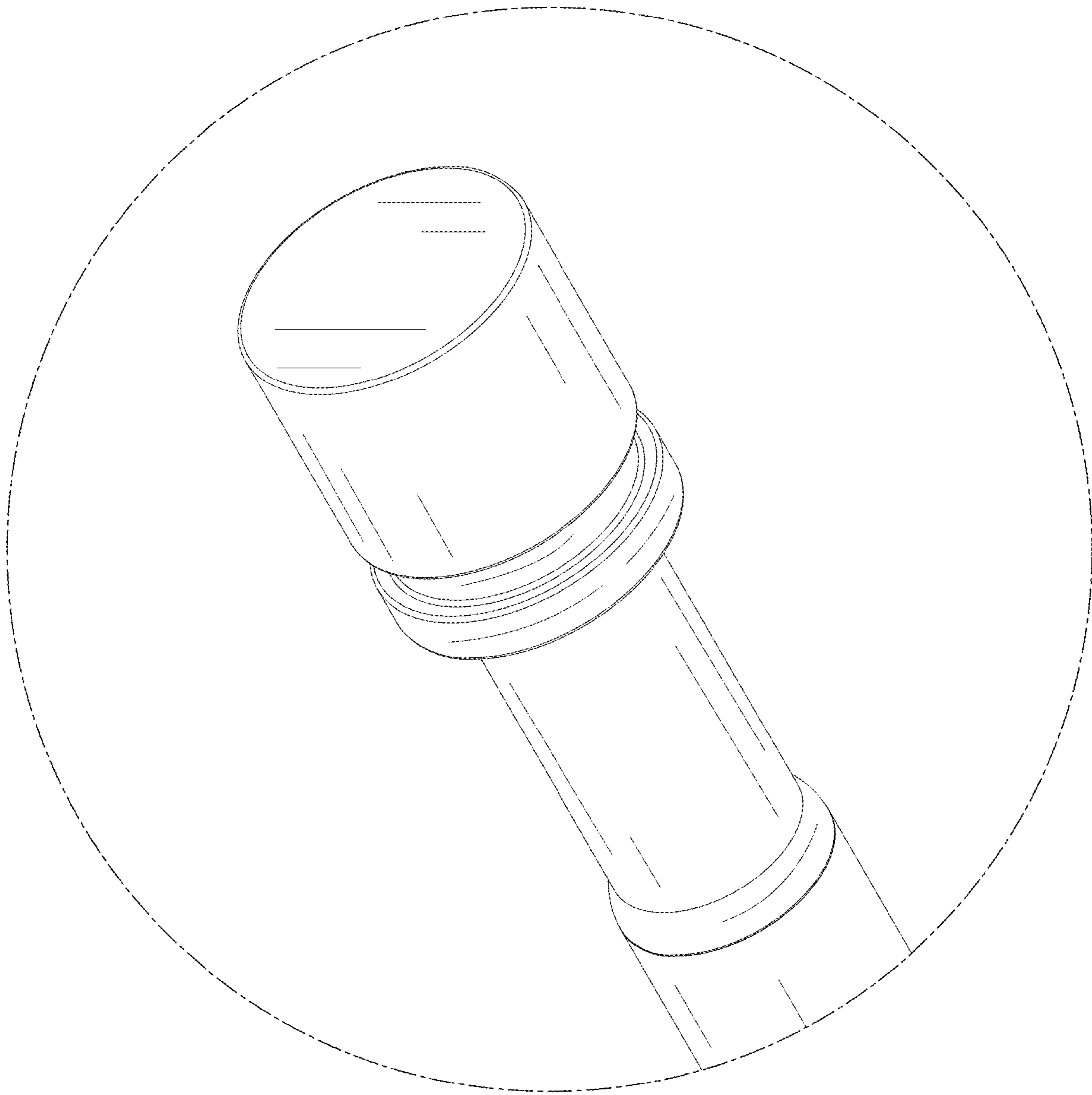


FIG. 10

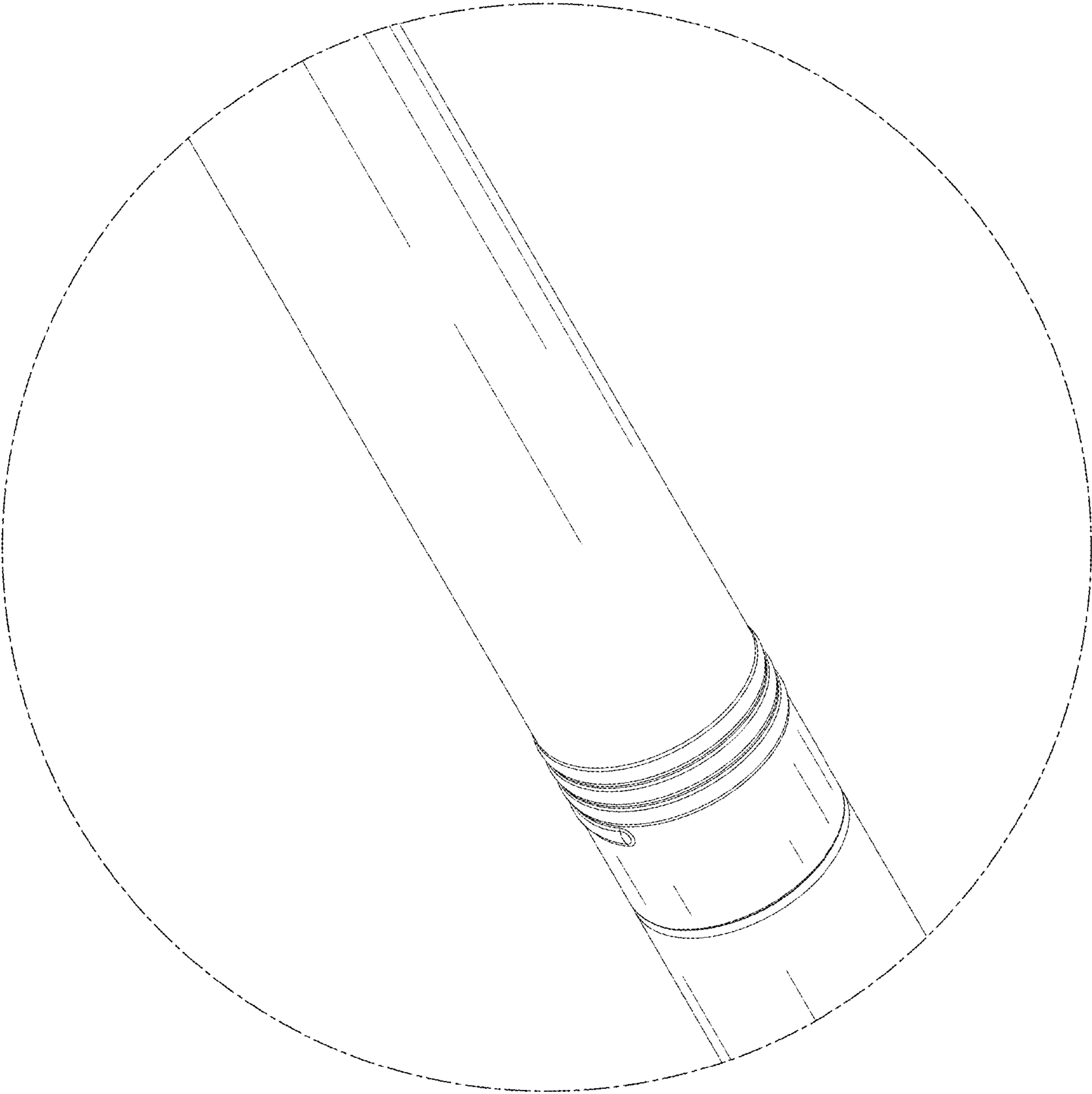


FIG. 11

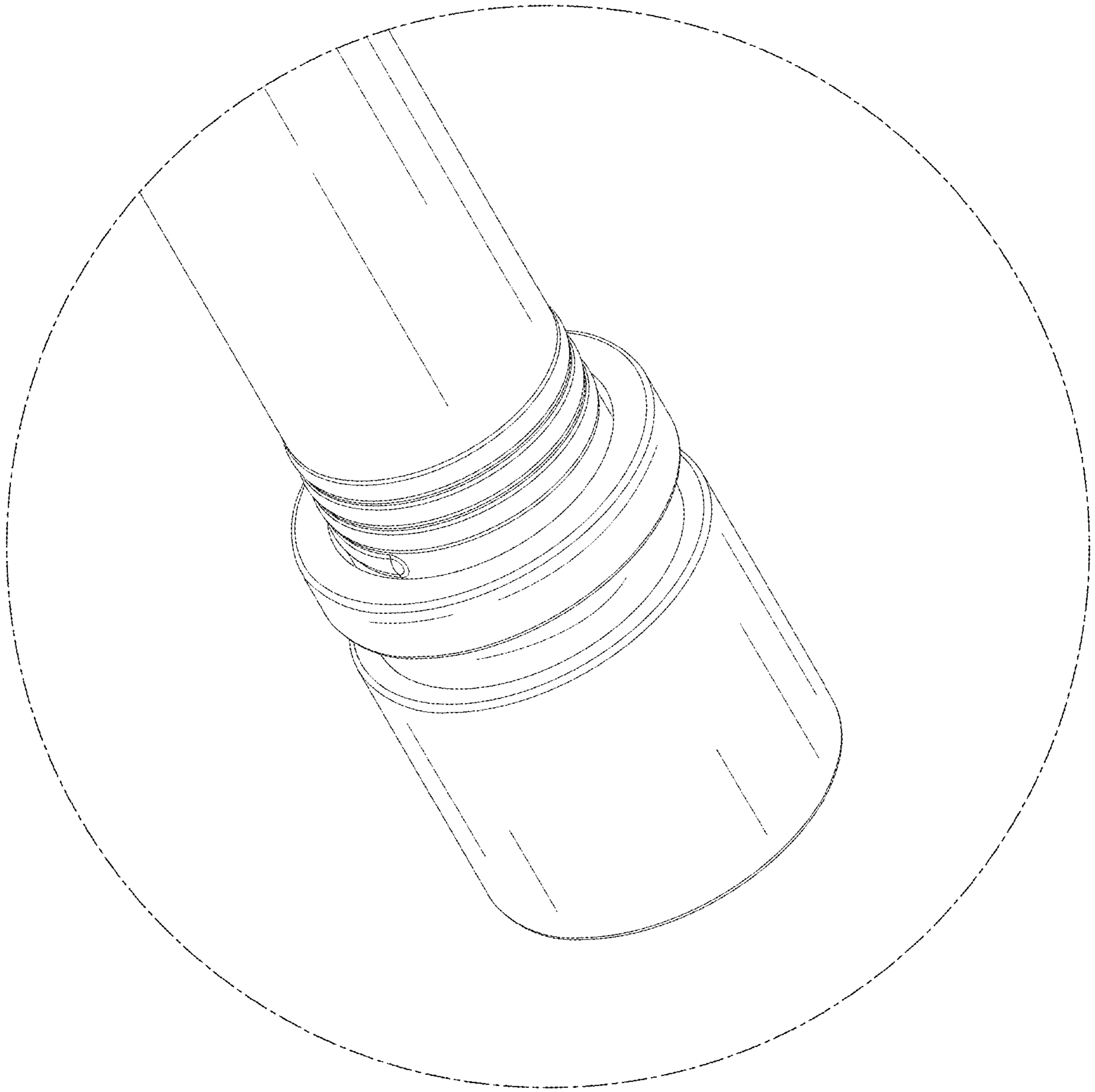


FIG. 12