



US00D984878S

(12) **United States Design Patent** (10) **Patent No.:** **US D984,878 S**  
**Chen et al.** (45) **Date of Patent:** **\*\* May 2, 2023**

(54) **DRIVE GEAR FOR STANDING DESK**

(71) Applicants: **DUNITEK CO., LTD.**, Minxiong Township, Chiayi County (TW); **SHING GUAN INDUSTRY CO., LTD.**, Minxiong Township, Chiayi County (TW)

(72) Inventors: **Yan-Ting Chen**, Minxiong Township (TW); **Zong-Da Lin**, Chiayi (TW); **Deng-Wei Guo**, Taibao (TW); **Jing-Xing Wang**, Minxiong Township (TW)

(73) Assignee: **DUNITEK CO., LTD.**, Minxiong Township (TW)

(\*\*) Term: **15 Years**

(21) Appl. No.: **29/764,422**

(22) Filed: **Dec. 30, 2020**

(51) **LOC (14) Cl.** ..... **08-05**

(52) **U.S. Cl.**  
USPC ..... **D8/374**

(58) **Field of Classification Search**  
USPC .... D8/349, 350, 352, 354, 373; D13/5, 7, 9, D13/158, 160; D15/143, 148, 199  
CPC . F16D 1/076; F16H 1/16; F16H 48/08; F16H 2048/085; F16H 2048/385; F16H 2048/423; F16H 2048/426; F16H 55/17  
See application file for complete search history.

(56) **References Cited**

U.S. PATENT DOCUMENTS

D349,736 S *	8/1994	Hatting	.....	D21/563
D453,214 S *	1/2002	Komatsubara	.....	D23/354
D485,795 S *	1/2004	Murray	.....	D8/312
D848,497 S *	5/2019	Zentmyer	.....	D15/148
D869,529 S *	12/2019	Chang	.....	F16H 55/17
				D15/148
D869,530 S *	12/2019	Chang	.....	D15/148

D940,220 S *	1/2022	Harrison	.....	D15/148
2008/0022798 A1 *	1/2008	Zeise	.....	B23H 9/00
				74/424.5
2010/0056320 A1 *	3/2010	Ziech	.....	F16H 48/08
				475/230
2013/0281248 A1 *	10/2013	Cha	.....	F16H 48/42
				475/150

OTHER PUBLICATIONS

Curt Jack Gear Replacement, posted Mar. 27, 2013 [online], [retrieved Dec. 2, 2022]. Retrieved from internet, <https://www.amazon.ca/Curt-28914-Jack-Gear-Replacement/dp/B004QEJ70A> (Year: 2013).\*  
Spare Gears Cat Towing, posted Feb. 7, 2020 [online], [retrieved Dec. 2, 2022]. Retrieved from internet, <https://www.amazon.com/SPARE-GEARS-CAT-TOWING-RI5081/dp/B079BMJQ6P> (Year: 2020).\*

\* cited by examiner

*Primary Examiner* — David G Muller

*Assistant Examiner* — Christina Gabrielle Cosden

(74) *Attorney, Agent, or Firm* — Alan D. Kamrath; Karin L. Williams; Mayer & Williams PC

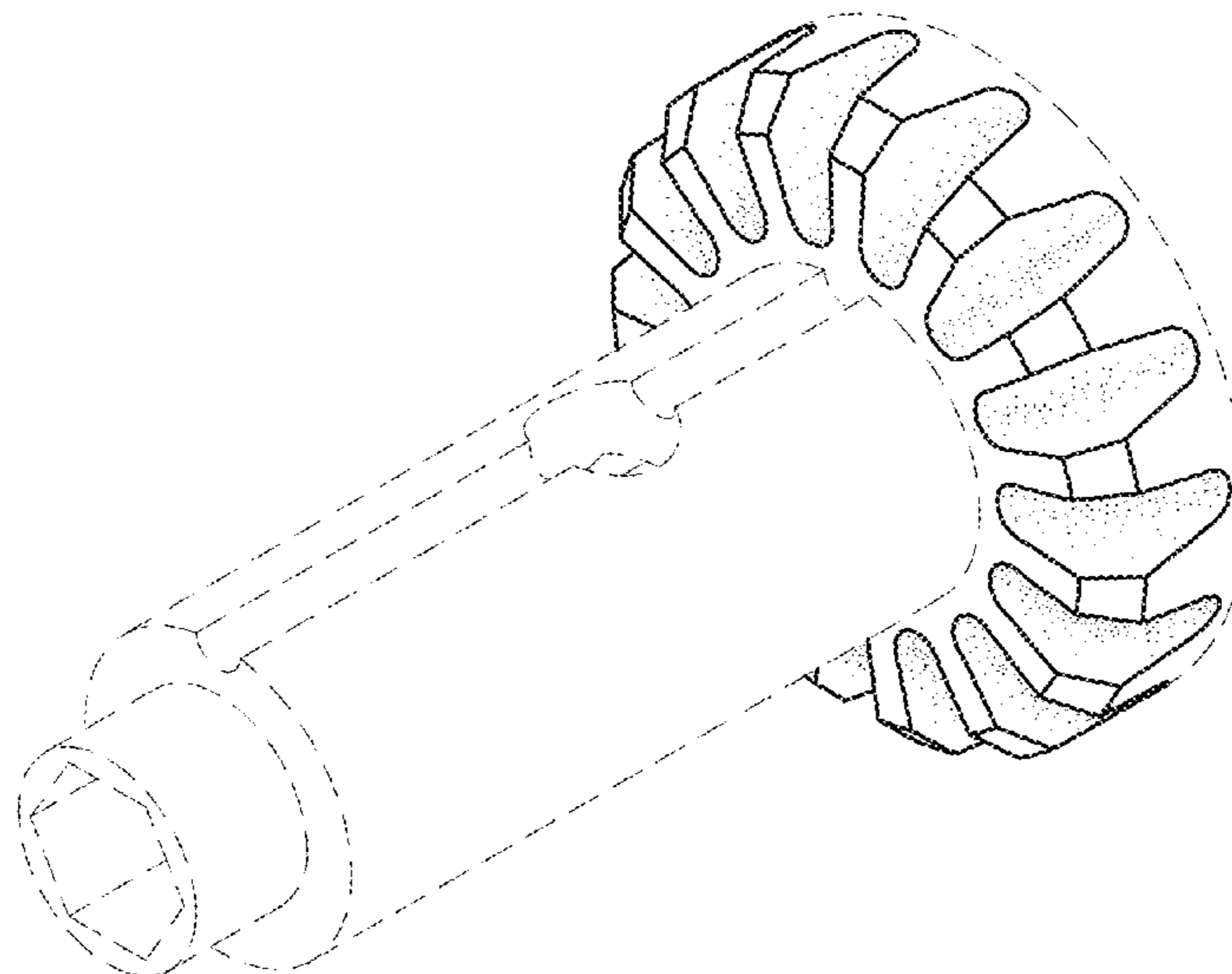
(57) **CLAIM**

The ornamental design for a drive gear for standing desk, as shown and described.

**DESCRIPTION**

FIG. 1 is a perspective view of a drive gear for standing desk showing our new design;  
FIG. 2 is a front view thereof;  
FIG. 3 is a rear view thereof;  
FIG. 4 is a left view thereof;  
FIG. 5 is a right view thereof;  
FIG. 6 is a top view thereof; and,  
FIG. 7 is a bottom view thereof.  
The broken lines represent environment and form no part of the claimed design.

**1 Claim, 4 Drawing Sheets**



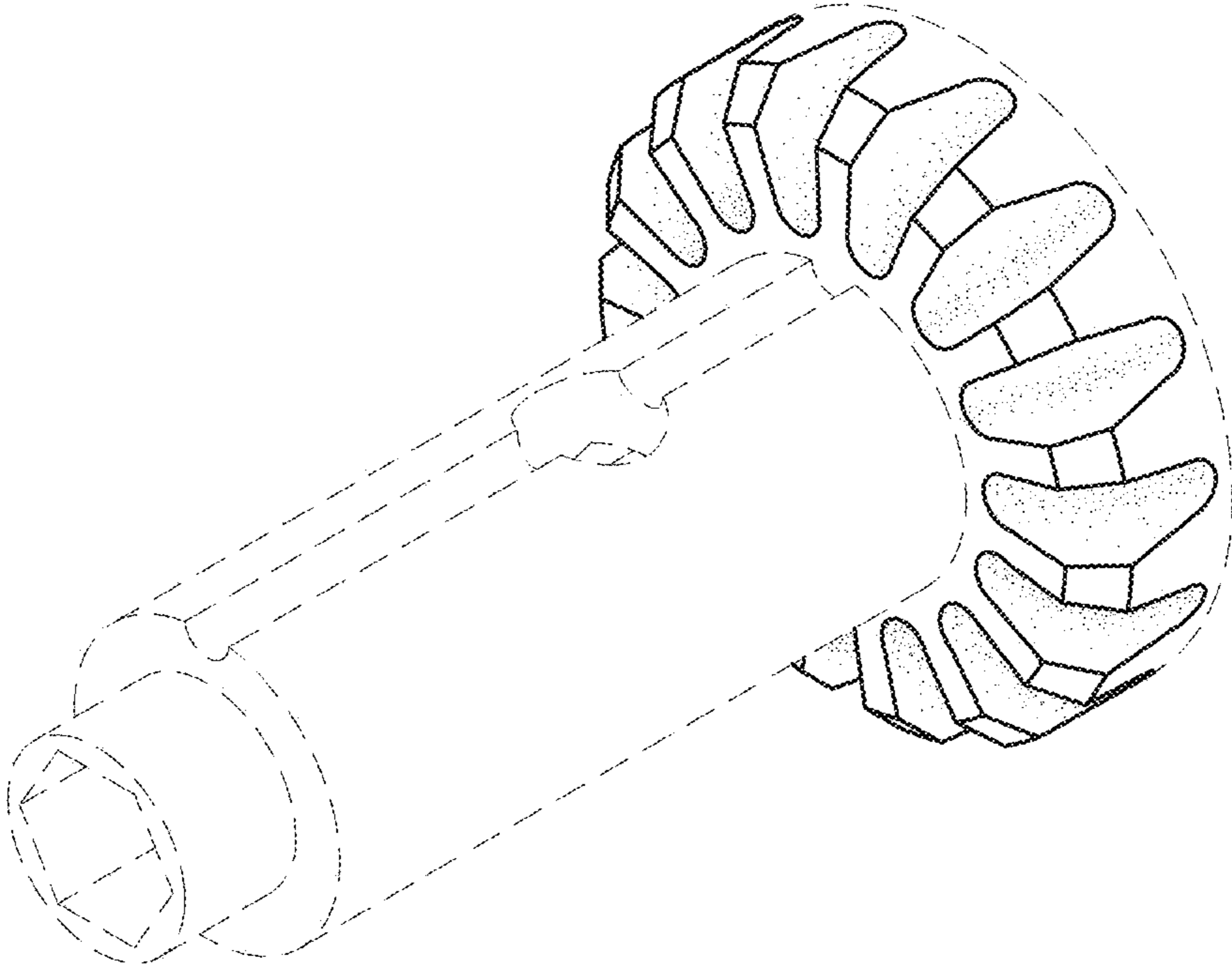


FIG. 1

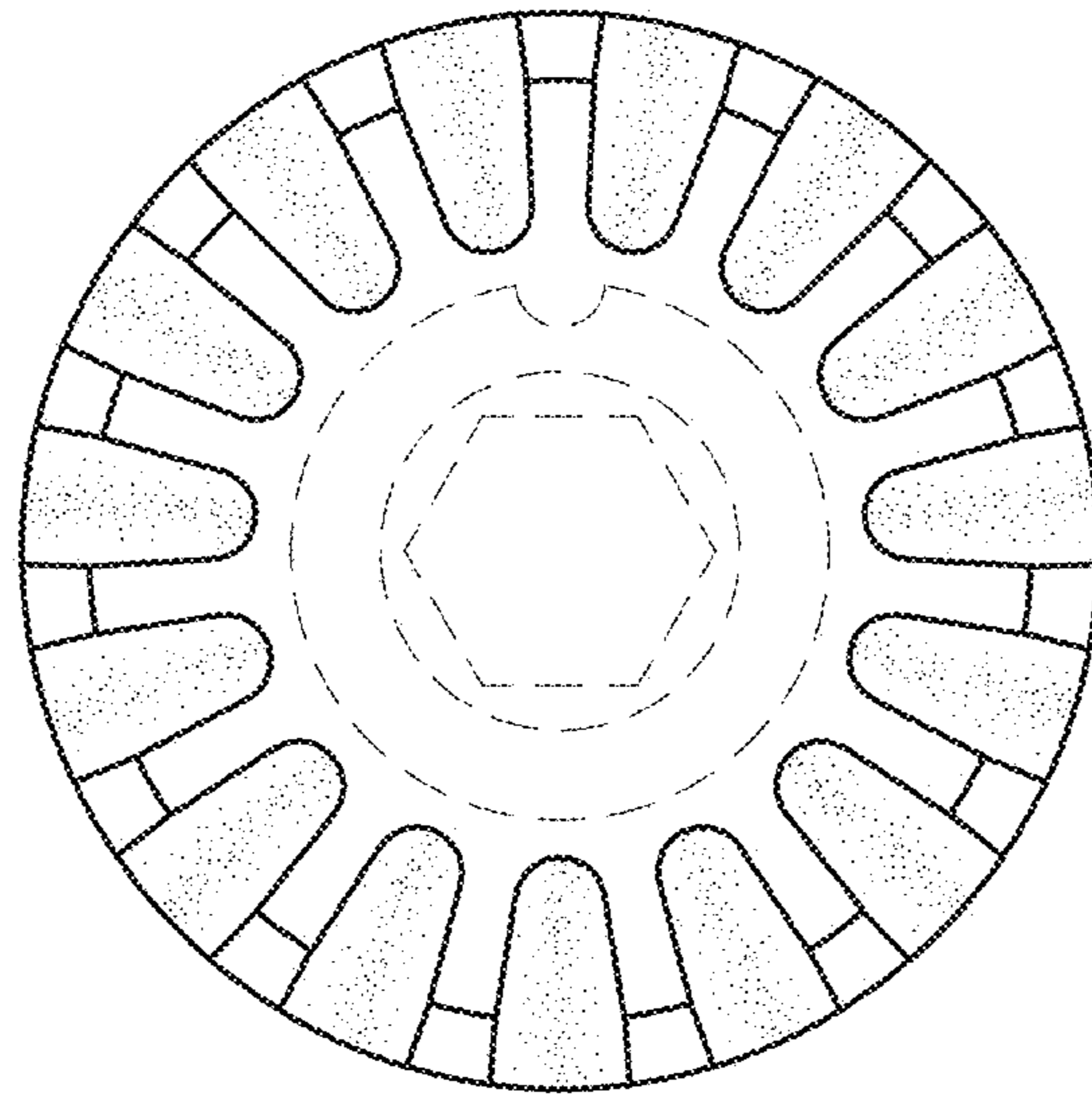


FIG. 2

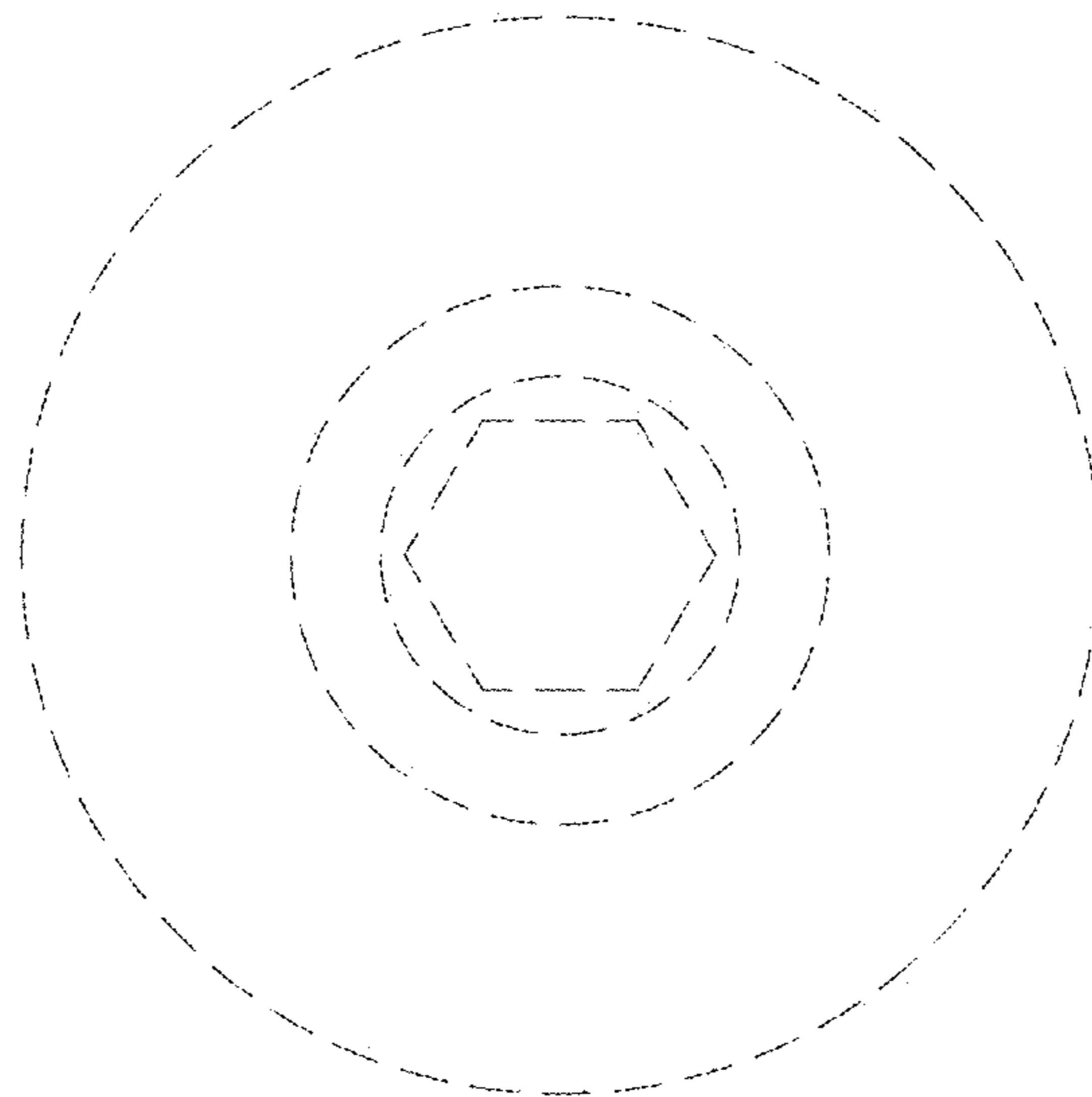


FIG. 3

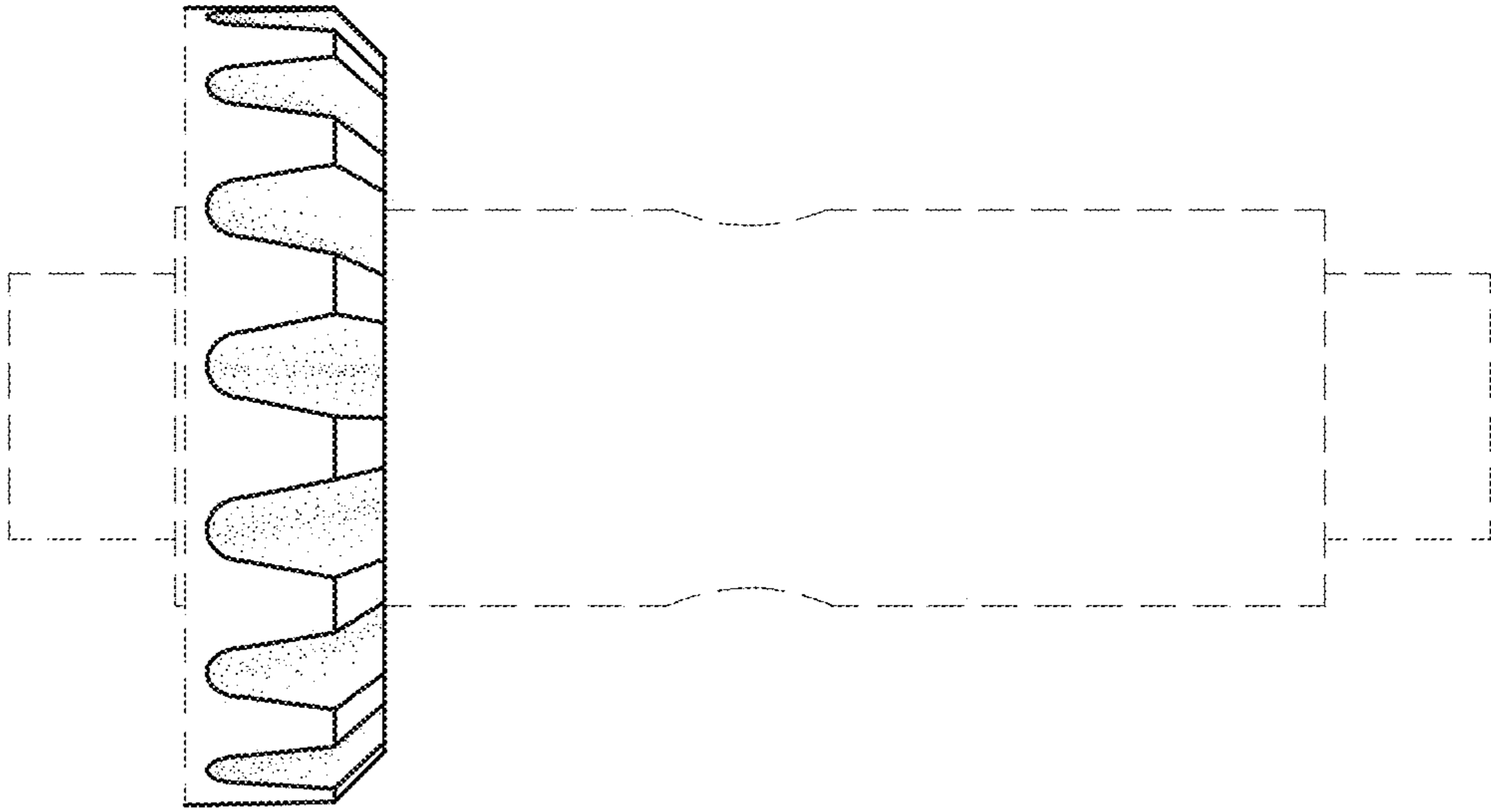


FIG. 4

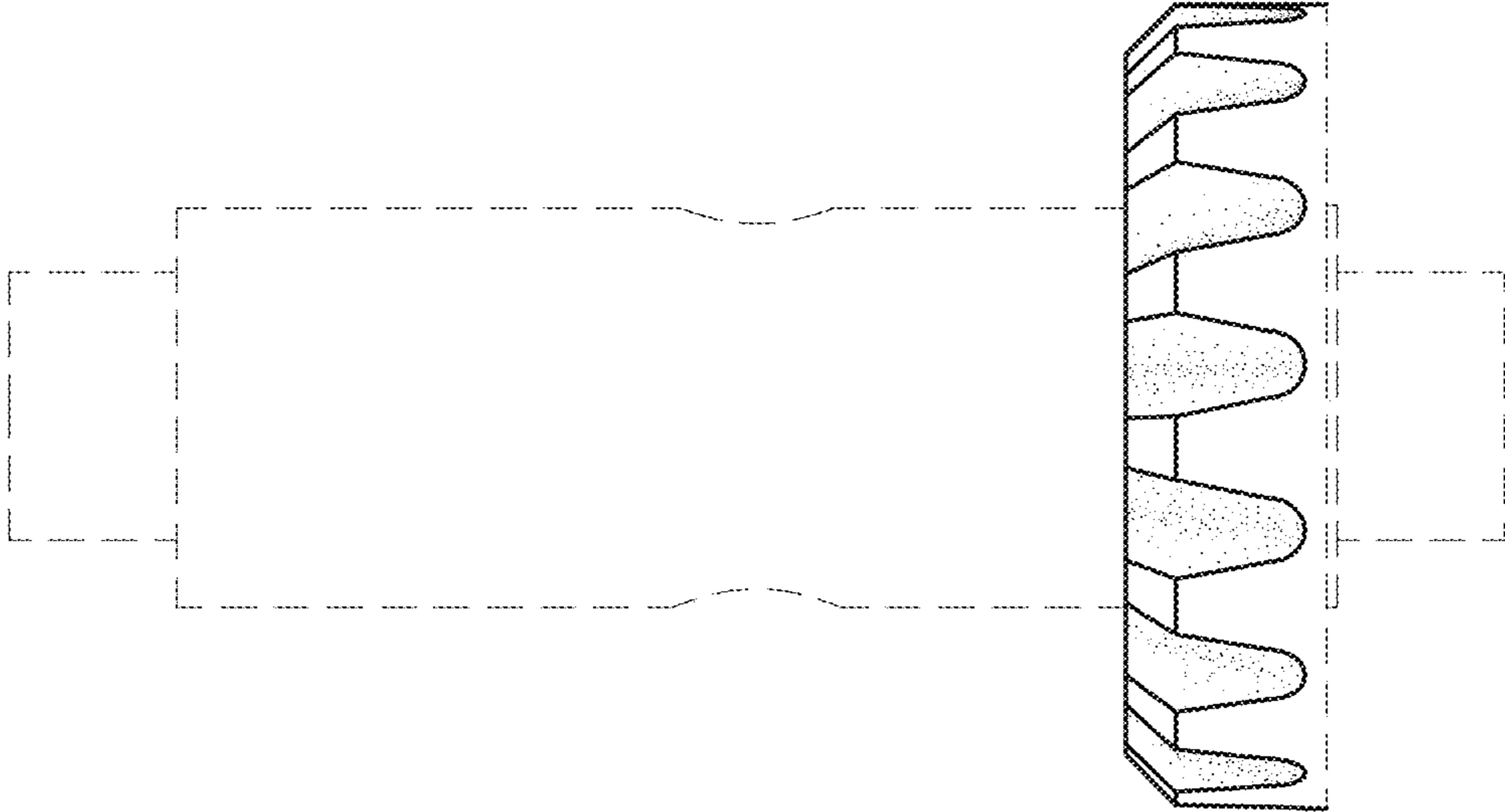


FIG. 5

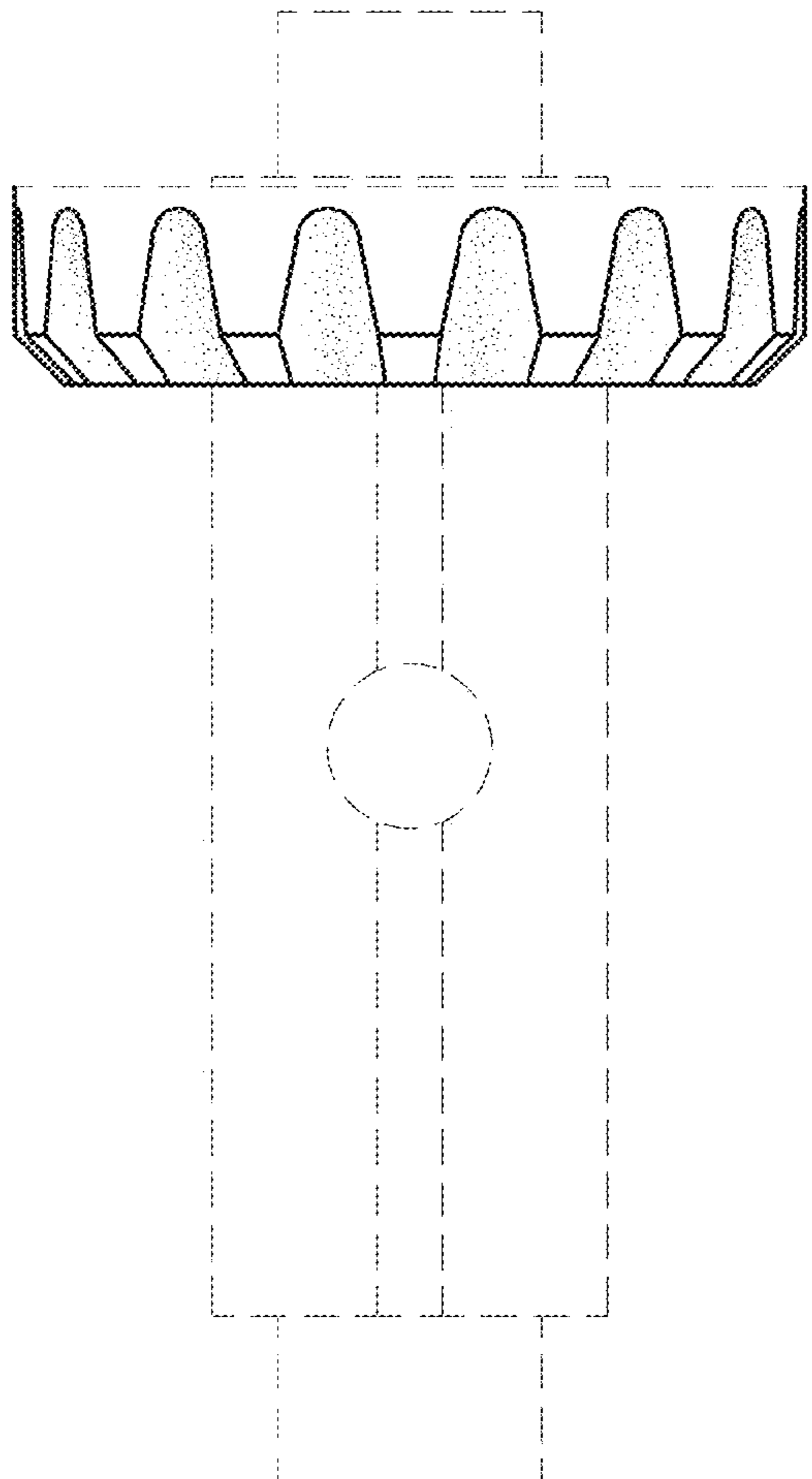


FIG. 6

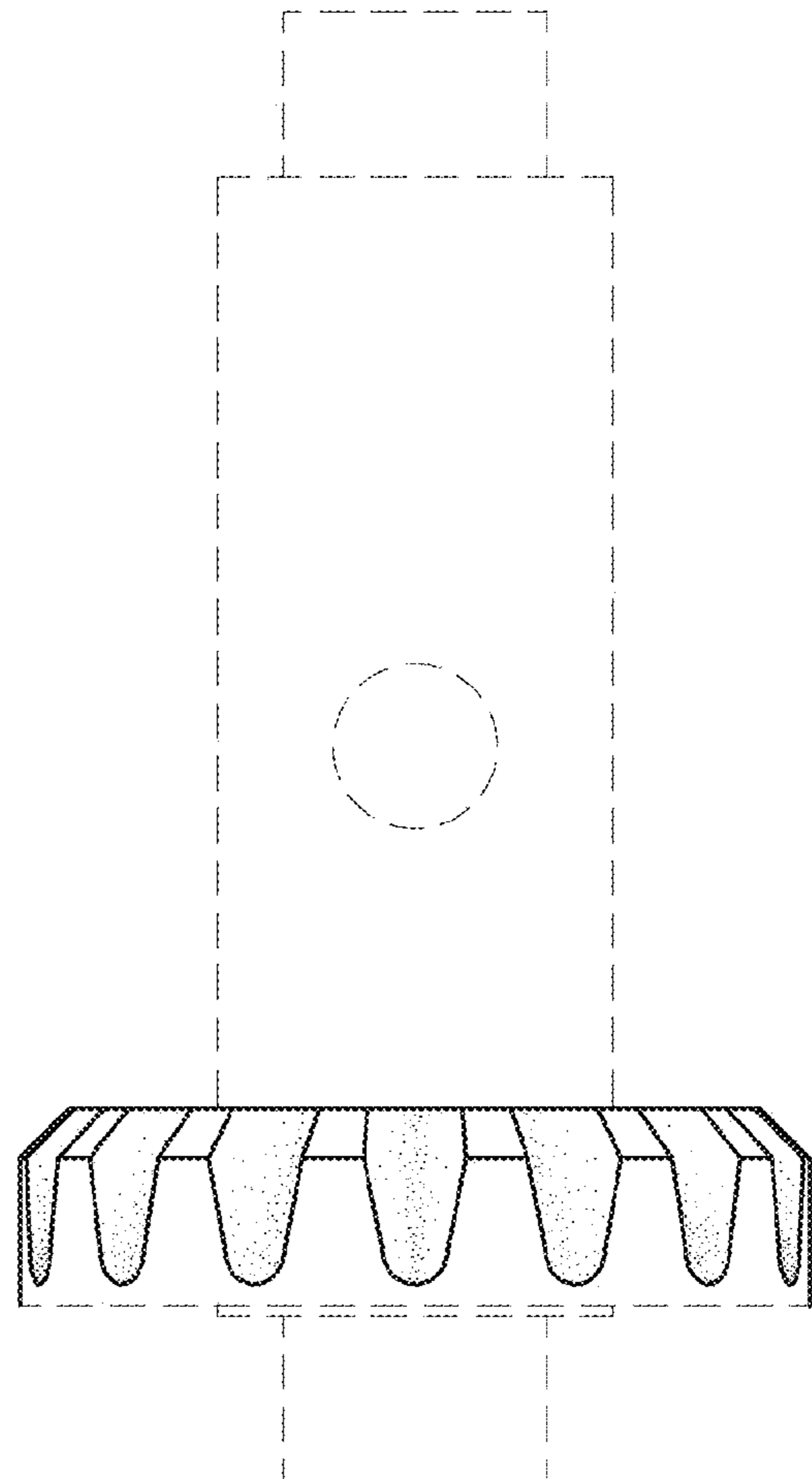


FIG. 7