



US00D984877S

(12) **United States Design Patent**
Yue et al.

(10) **Patent No.:** **US D984,877 S**
(45) **Date of Patent:** **** May 2, 2023**

- (54) **SOFA CONNECTOR**
- (71) Applicant: **Shenzhen Exquisite Youth Technology Co., Ltd.**, Shenzhen (CN)
- (72) Inventors: **Dihui Yue**, Shenzhen (CN); **Shaoyu Chen**, Shenzhen (CN); **Mingbin Yang**, Shenzhen (CN); **Xiaodong Zheng**, Shenzhen (CN)
- (73) Assignee: **SHENZHEN EXQUISITE YOUTH TECHNOLOGY CO., LTD.**, Shenzhen (CN)

D339,909 S * 10/1993 Burton D2/639
 D340,018 S * 10/1993 Yoder D8/394
 5,265,939 A * 11/1993 Self A47C 13/005
 297/440.13
 D348,775 S * 7/1994 Scheid D3/218
 (Continued)

(**) Term: **15 Years**

(21) Appl. No.: **29/862,751**

(22) Filed: **Dec. 13, 2022**

(51) **LOC (14) Cl.** **08-11**

(52) **U.S. Cl.**
USPC **D8/371**

(58) **Field of Classification Search**
USPC D8/349, 366, 371, 380, 382; D2/639;
D11/200, 208; D3/328; D24/184
CPC A47C 13/005; A47G 23/0225; A45F 5/021
See application file for complete search history.

(56) **References Cited**

U.S. PATENT DOCUMENTS

D25,647 S * 6/1896 Willon A45F 5/021
D8/371
2,620,024 A * 12/1952 Rietman A47C 17/02
297/440.23
3,190,598 A * 6/1965 Wilf F16B 9/052
403/189
3,608,958 A * 9/1971 Knabusch A47C 13/005
297/269.1
3,669,494 A * 6/1972 Lohmeyer A47C 13/005
297/440.14
D318,608 S * 7/1991 Schenker D8/382
D327,214 S * 6/1992 Stuart D8/382

OTHER PUBLICATIONS

Linsy Home Armrest Module for Modular Sectionals Sofa Couch, Convertible Sectional Modular Sofa for Living Room, Gray; Linsy Home; Amazon.com; Jul. 20, 2022; accessed Feb. 3, 2023; URL:<
<https://www.amazon.com/dp/B0B756P673/> > (Year: 2022).*

Primary Examiner — Rachel A. Voorhies

Assistant Examiner — Benjamin D. Wannemacher

(74) *Attorney, Agent, or Firm* — Bayramoglu Law Offices LLC

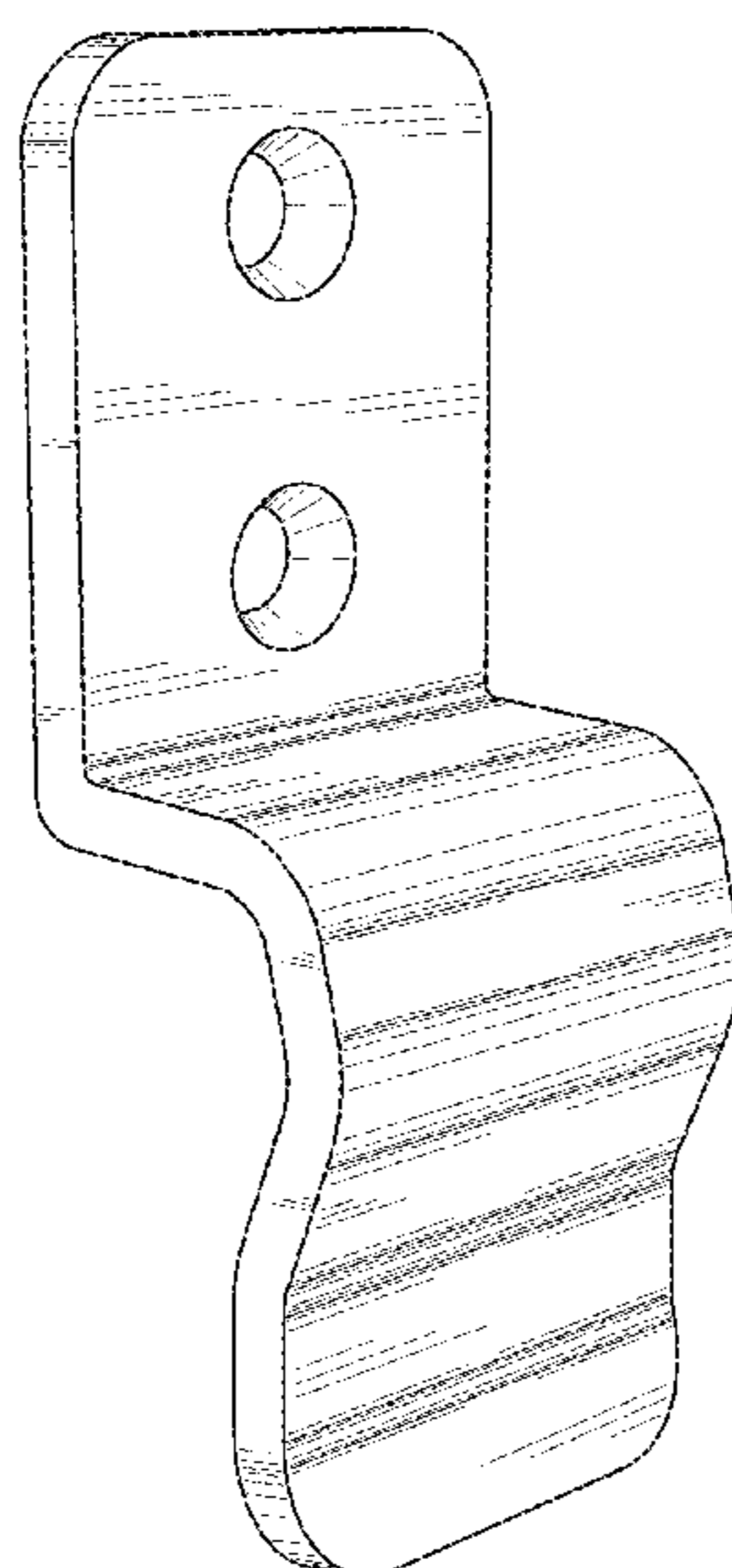
(57) **CLAIM**

The ornamental design for a sofa connector, as shown and described.

DESCRIPTION

FIG. 1 is a perspective view of a sofa connector showing our new design;
 FIG. 2. is a front view thereof;
 FIG. 3 is a rear view thereof;
 FIG. 4 is a right side view thereof,
 FIG. 5 is a left side view thereof;
 FIG. 6 is a top view thereof;
 FIG. 7 is a bottom view thereof;
 FIG. 8 is a perspective view of the sofa connector shown in a use environment of a disassembled sofa; and,
 FIG. 9 is a perspective view of the sofa connector shown in a use environment of a sofa.
 The broken lines showing the sofa are for the purpose of illustrating the environmental structure and form no part of the claimed design,

1 Claim, 9 Drawing Sheets



(56)

References Cited

U.S. PATENT DOCUMENTS

5,331,721 A * 7/1994 Raum, Sr. A45F 5/021
24/3.12
5,934,019 A * 8/1999 Rotharmel E05F 15/43
49/28
6,241,317 B1 * 6/2001 Wu A47C 4/02
297/440.1
D547,163 S 7/2007 Xayoiphonh
7,448,689 B2 * 11/2008 Carter A47C 13/005
24/442
D625,580 S * 10/2010 Giordano A45F 5/00
D8/349
D644,503 S 9/2011 Crane et al.
D645,150 S * 9/2011 Roggenkamp A47C 13/005
D8/366
D737,116 S * 8/2015 Lussier A47C 13/005
D8/349
D740,108 S 10/2015 Di Stefano et al.

D774,872 S * 12/2016 Prevost A23P 10/10
D8/349
D774,874 S 12/2016 Wentzel et al.
D856,783 S * 8/2019 Zeilinger D8/354
D902,779 S * 11/2020 Main H04R 1/028
D11/208
11,406,192 B1 * 8/2022 Wu A47C 4/02
11,419,406 B1 * 8/2022 Ricard A45F 5/021
2002/0074469 A1 * 6/2002 Neuman A47G 29/083
248/227.2
2002/0195848 A1 * 12/2002 Seitz A47C 13/005
297/248
2013/0283587 A1 * 10/2013 Mehringer A47C 13/005
403/20
2019/0116861 A1 * 4/2019 Zeilinger A23P 10/10
2020/0268160 A1 * 8/2020 Kuhl A47C 15/002
2021/0140564 A1 * 5/2021 Ruberto F16L 3/003
2022/0000250 A1 * 1/2022 Bolt A45F 5/00
2022/0078555 A1 * 3/2022 Nelson H04R 1/028
2022/0240678 A1 * 8/2022 Stack F16B 12/24
2022/0304472 A1 * 9/2022 Grathwol F16B 12/60

* cited by examiner

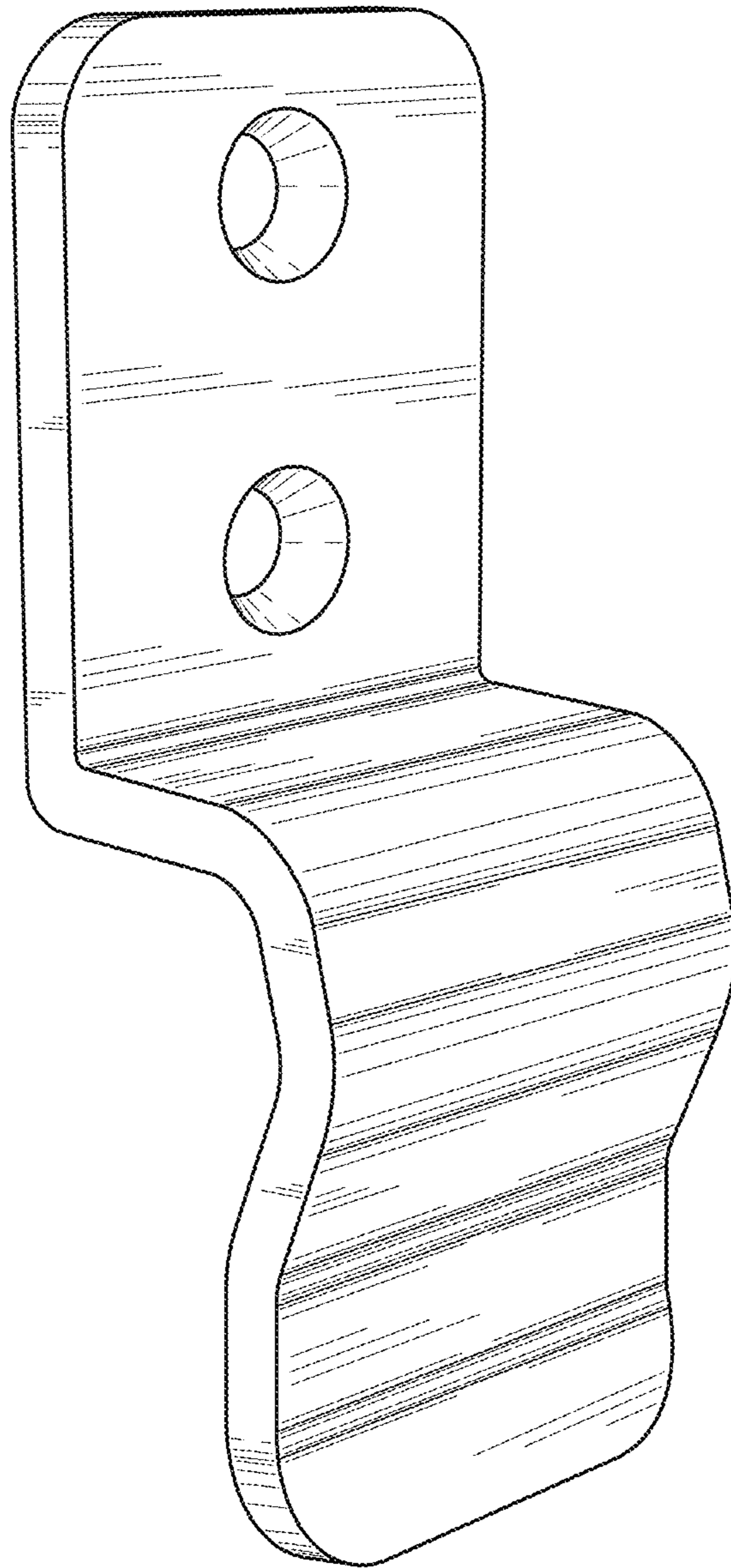


Fig. 1

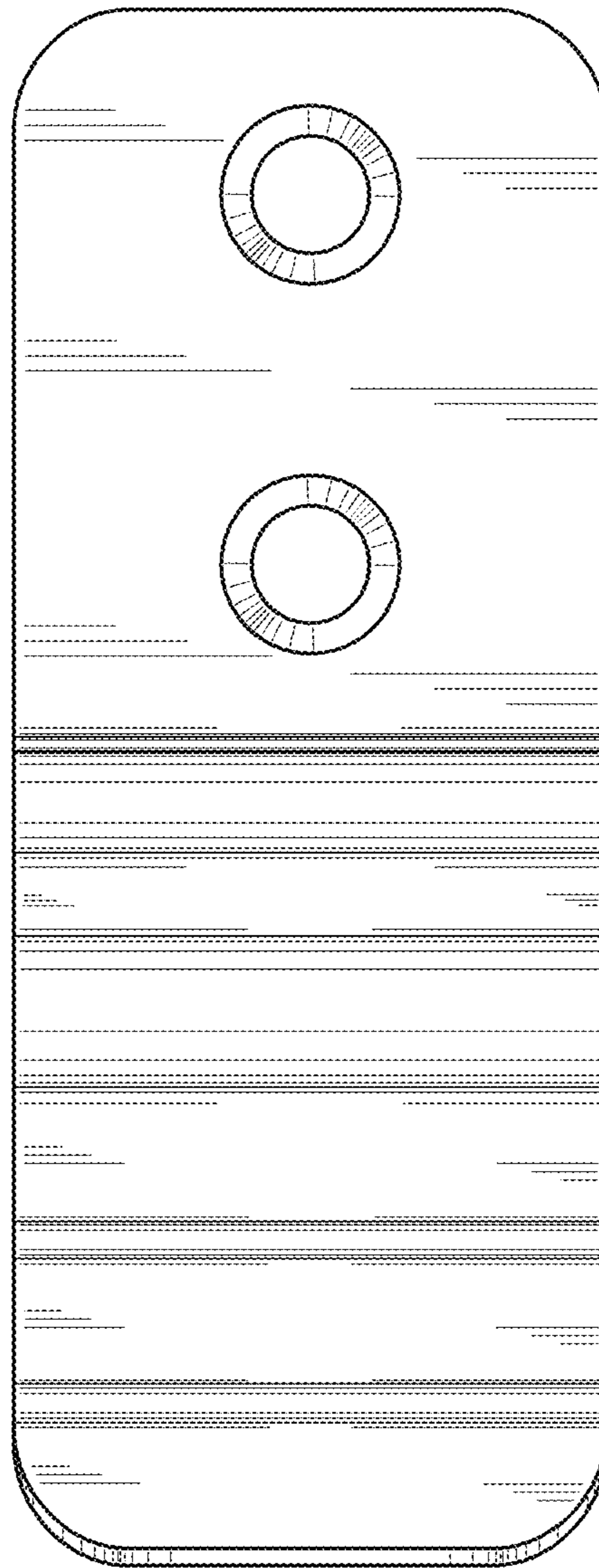


Fig. 2

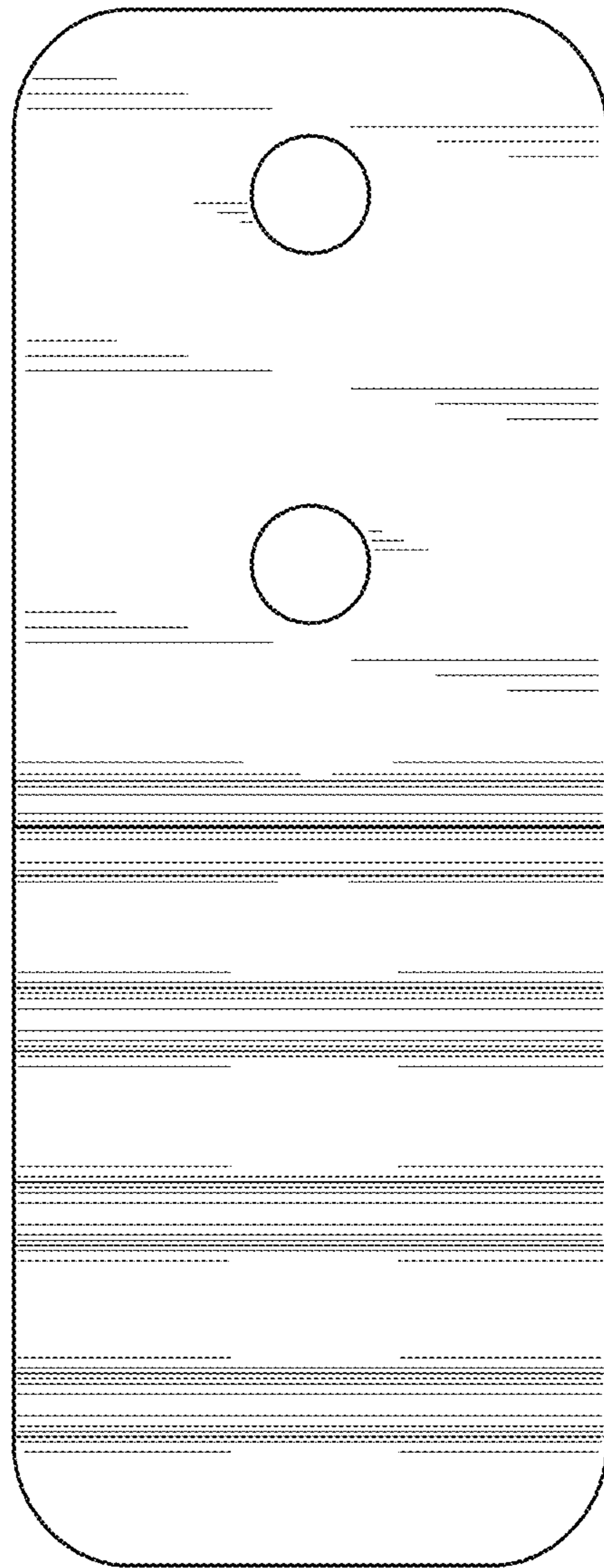


Fig. 3

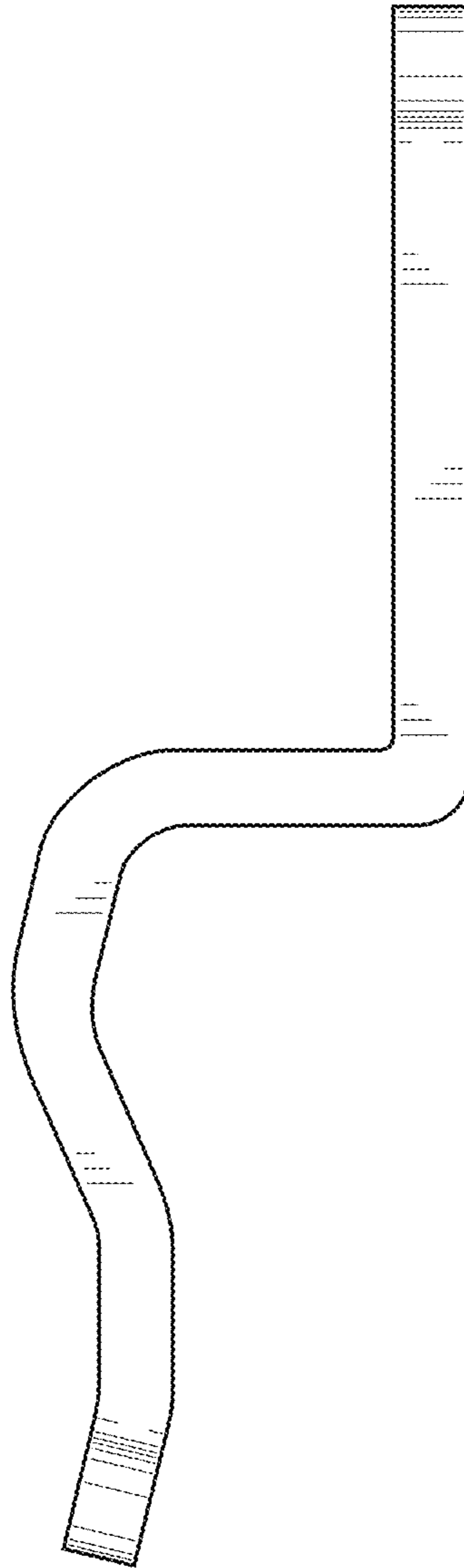


Fig. 4

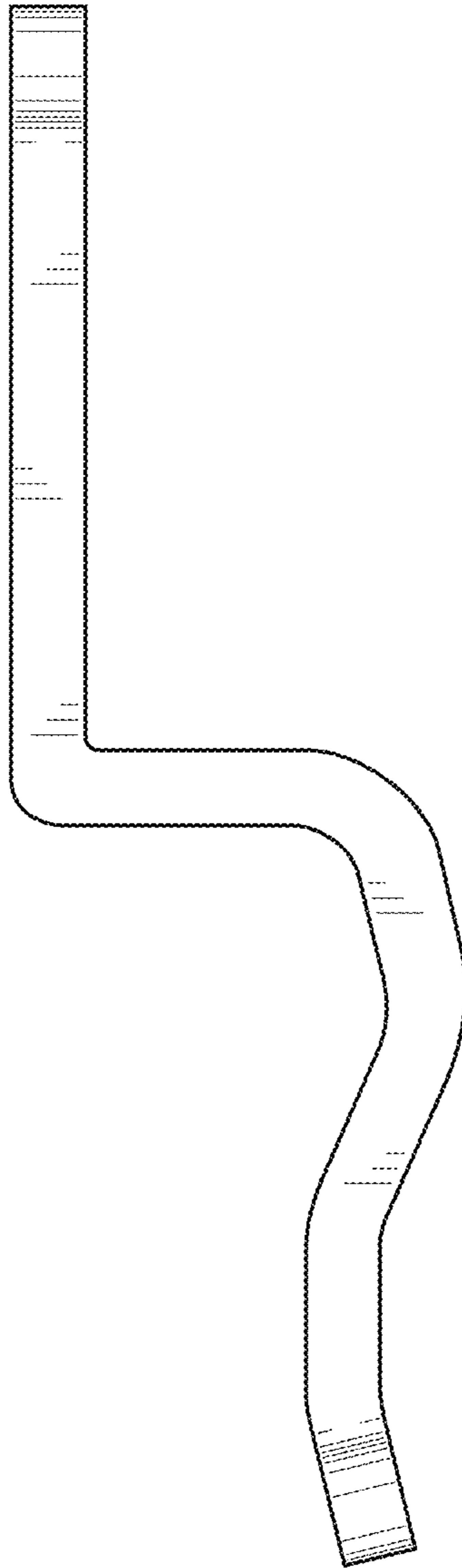


Fig. 5

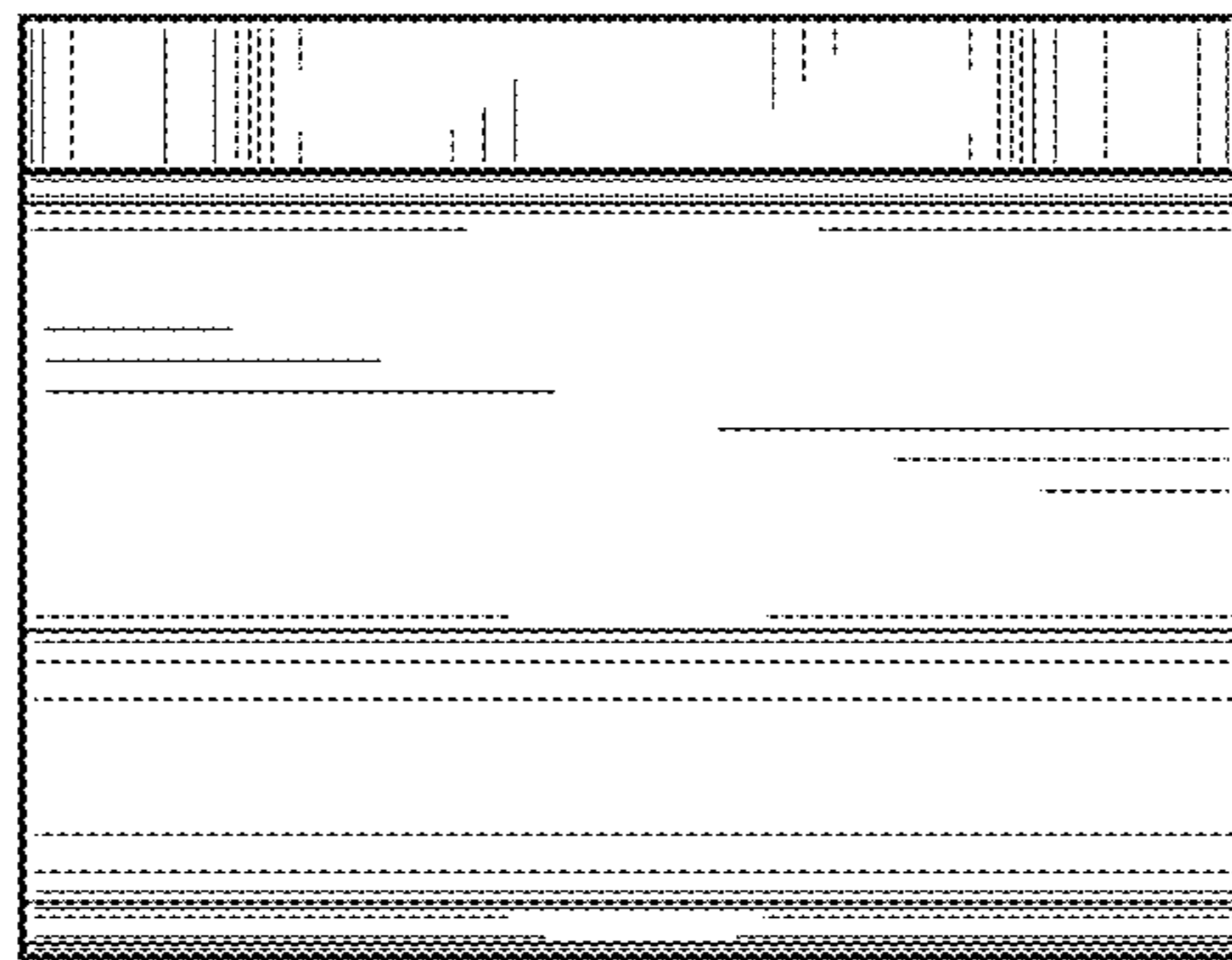


Fig. 6

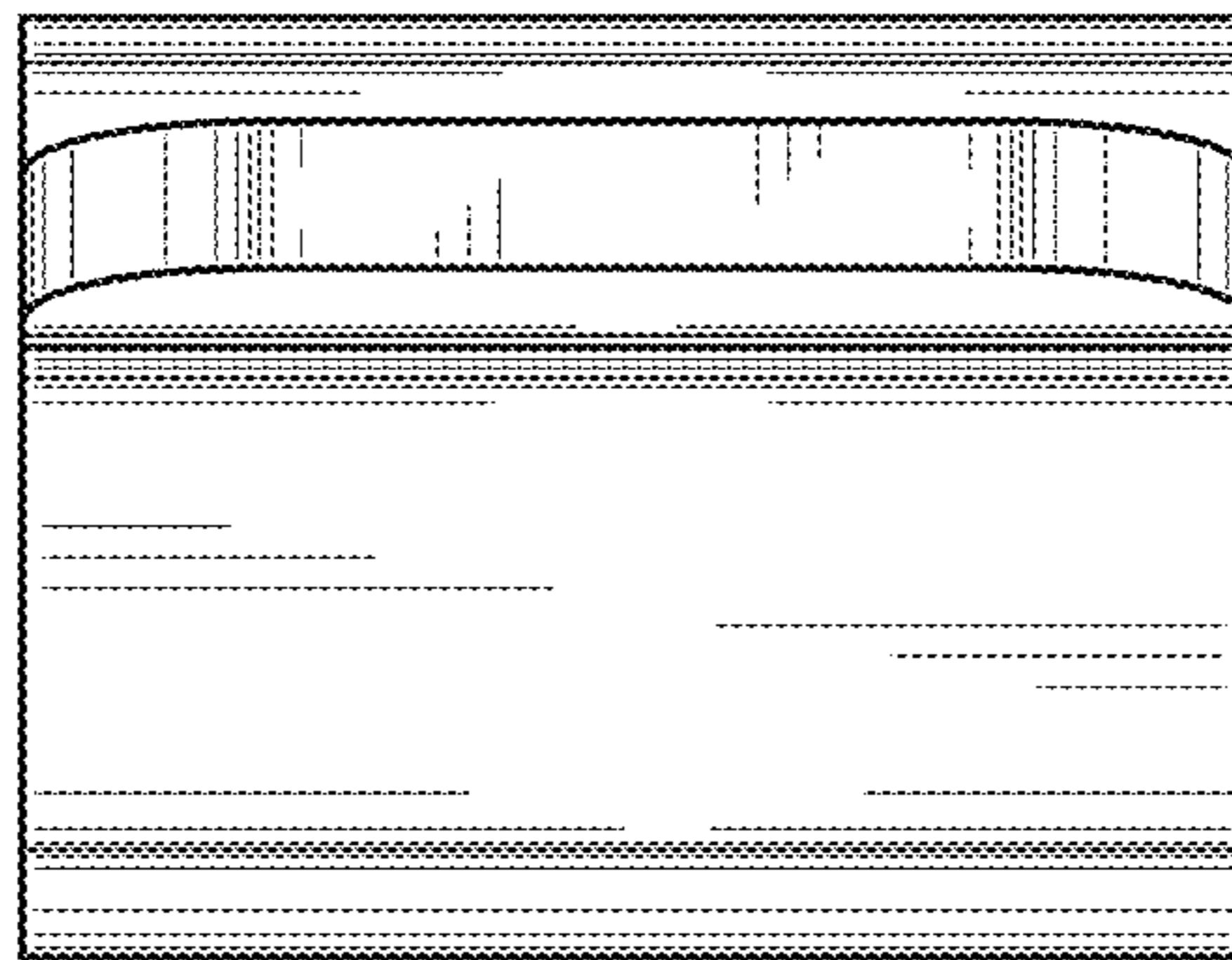


Fig. 7

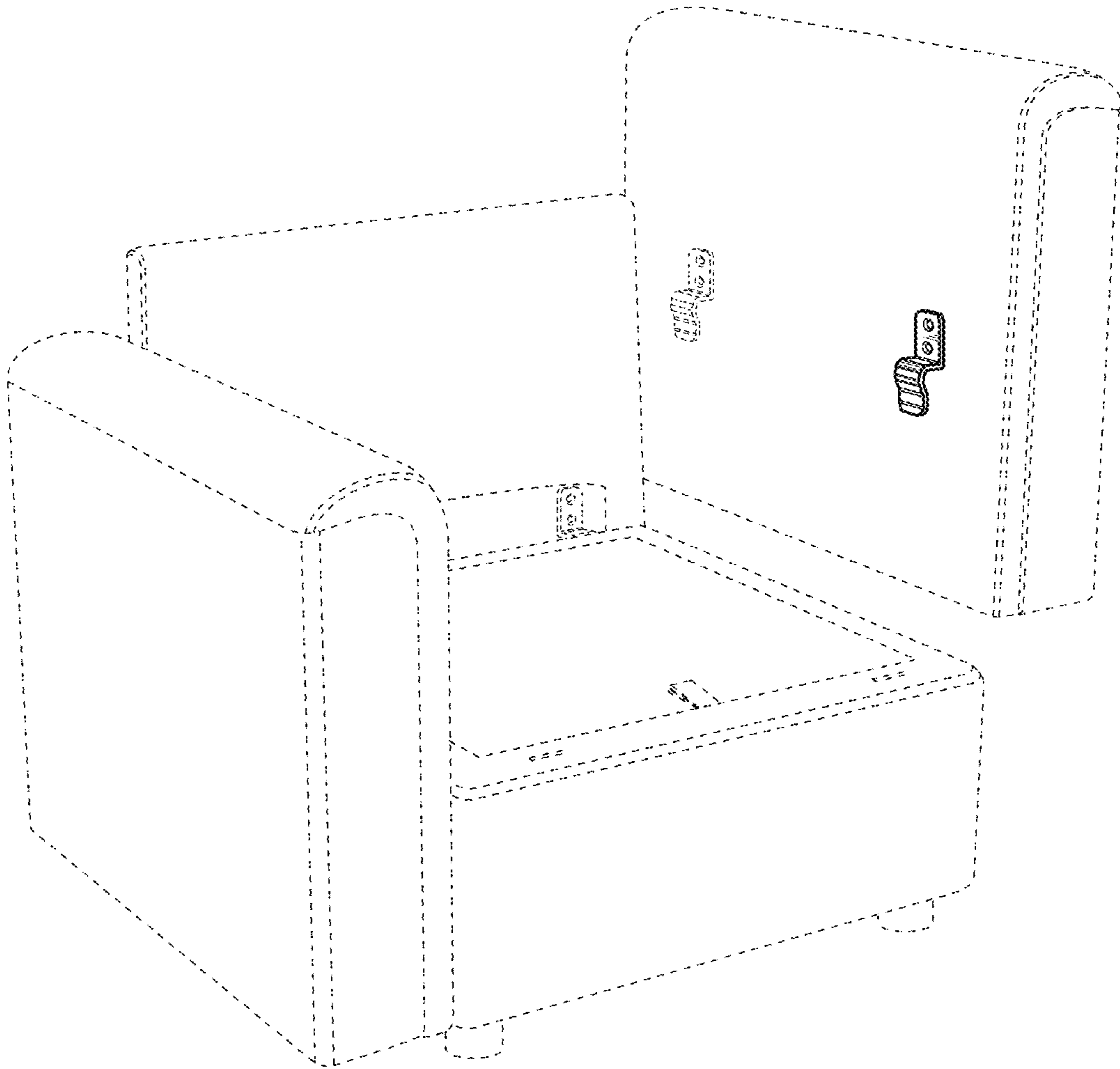


Fig. 8

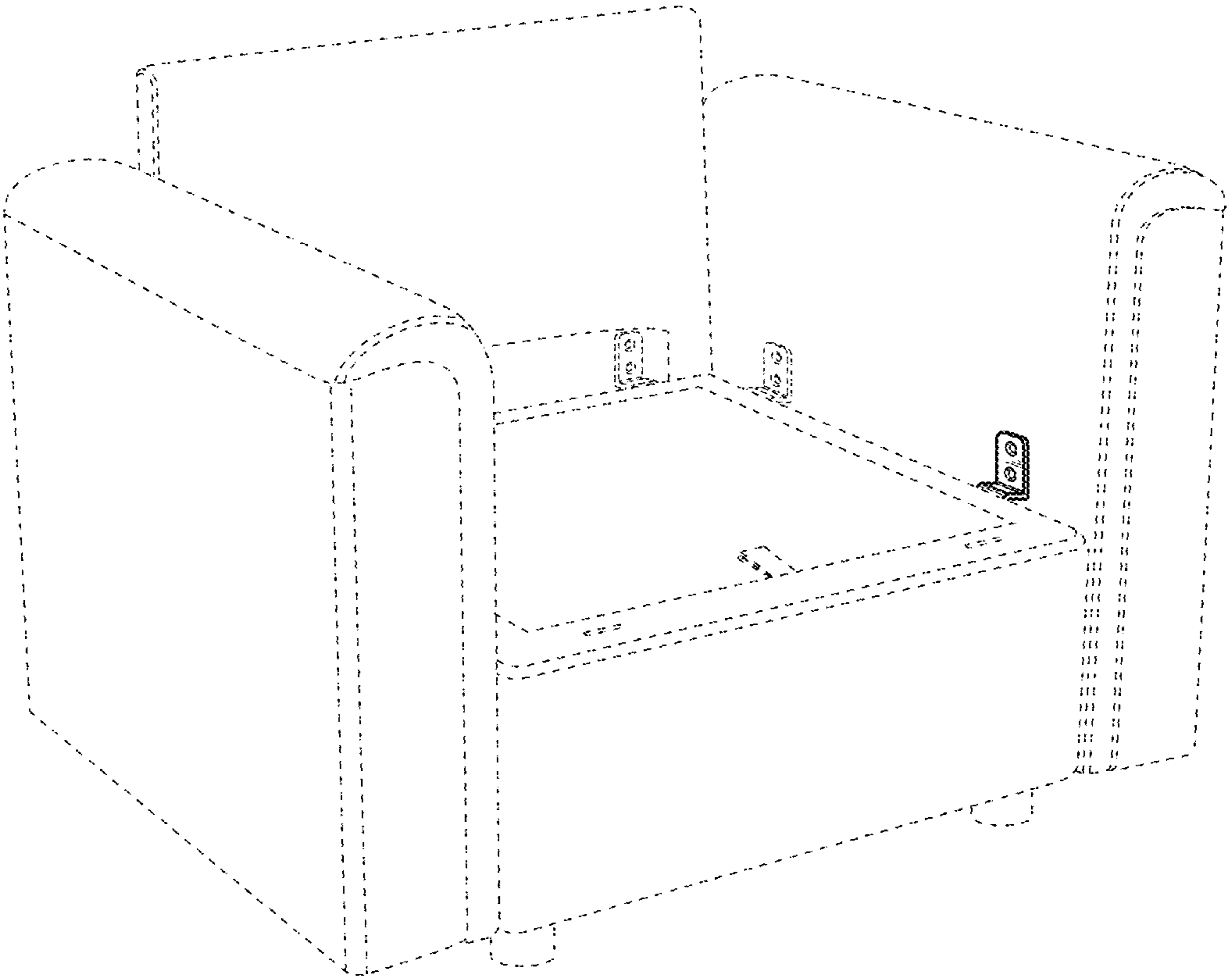


Fig. 9