



US00D984875S

(12) **United States Design Patent** (10) **Patent No.:** **US D984,875 S**
Petzl (45) **Date of Patent:** **** May 2, 2023**

(54) **PULLEY** 6,601,829 B2 * 8/2003 Graham B66D 3/10
254/408
(71) Applicant: **ZEDEL**, Crolles (FR) 7,419,138 B1 * 9/2008 Mauthner B66D 3/08
254/408
(72) Inventor: **Paul Petzl**, Barraux (FR) 8,286,947 B2 * 10/2012 Rogelja B66D 3/06
254/394
(73) Assignee: **ZEDEL**, Crolles (FR) D893,286 S * 8/2020 Xu D8/360
2002/0100900 A1 * 8/2002 Graham B66D 3/10
254/391
(**) Term: **15 Years** 2008/0203371 A1 * 8/2008 Mauthner B66D 3/04
254/391
(21) Appl. No.: **29/780,061** 2011/0068311 A1 * 3/2011 Rogelja B66D 3/06
254/394
(22) Filed: **Apr. 22, 2021** 2021/0087028 A1 * 3/2021 Bonnet B66D 3/046
2022/0250885 A1 * 8/2022 Mauthner B66D 3/046

(51) **LOC (14) Cl.** **08-11**
(52) **U.S. Cl.**
USPC **D8/360**
(58) **Field of Classification Search**
USPC D8/356, 360, 334; D21/673; D34/33, 35
CPC . B66D 3/04; B66D 3/046; B66D 3/06; B66D
3/10; B66D 3/08; B66D 2700/02; B66D
2700/026; B66D 2700/028; A62B
35/0081; A62B 35/0093; A62B 1/14;
A62B 1/10; Y10T 24/39
See application file for complete search history.

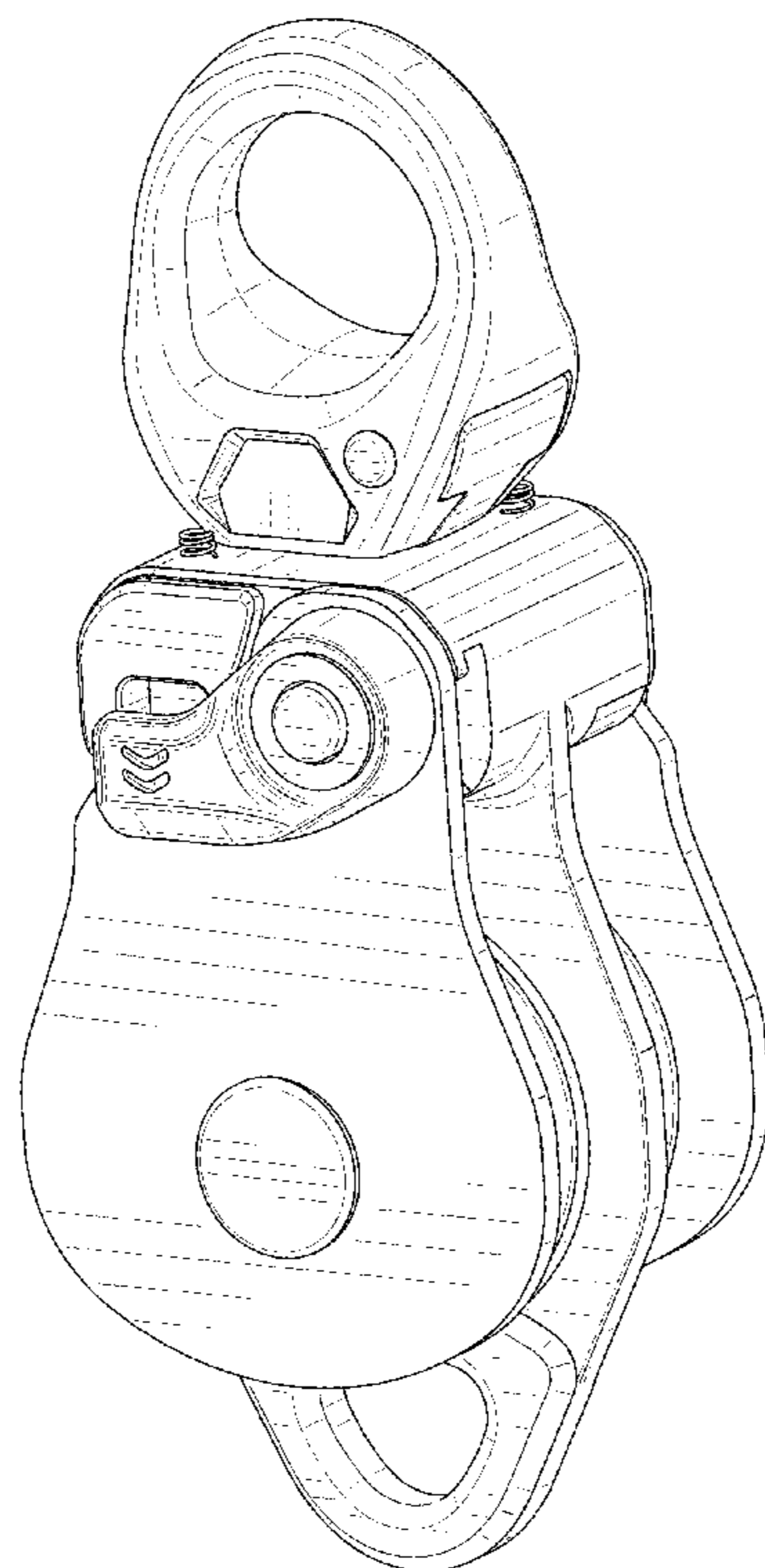
(56) **References Cited**
U.S. PATENT DOCUMENTS
905,309 A * 12/1908 Head B66D 3/10
188/64
1,186,064 A * 6/1916 Arnold 254/401
2,082,169 A * 6/1937 McKissick B66D 3/046
254/402
2,423,142 A * 7/1947 Frankhouser B66D 3/06
254/402

* cited by examiner
Primary Examiner — Calvin E Vansant
Assistant Examiner — Benjamin Lucas Gray
(74) *Attorney, Agent, or Firm* — Oliff PLC

(57) **CLAIM**
The ornamental design for a pulley, as shown and described.

DESCRIPTION
FIG. 1 is a front, right-side, top perspective view of a pulley, showing the new design;
FIG. 2 is a front elevational view thereof;
FIG. 3 is a rear elevational view thereof;
FIG. 4 is a left-side elevational view thereof;
FIG. 5 is a right-side elevational view thereof;
FIG. 6 is a top plan view thereof;
FIG. 7 is a bottom plan view thereof; and,
FIG. 8 is a rear, left-side, bottom perspective view thereof.

1 Claim, 8 Drawing Sheets



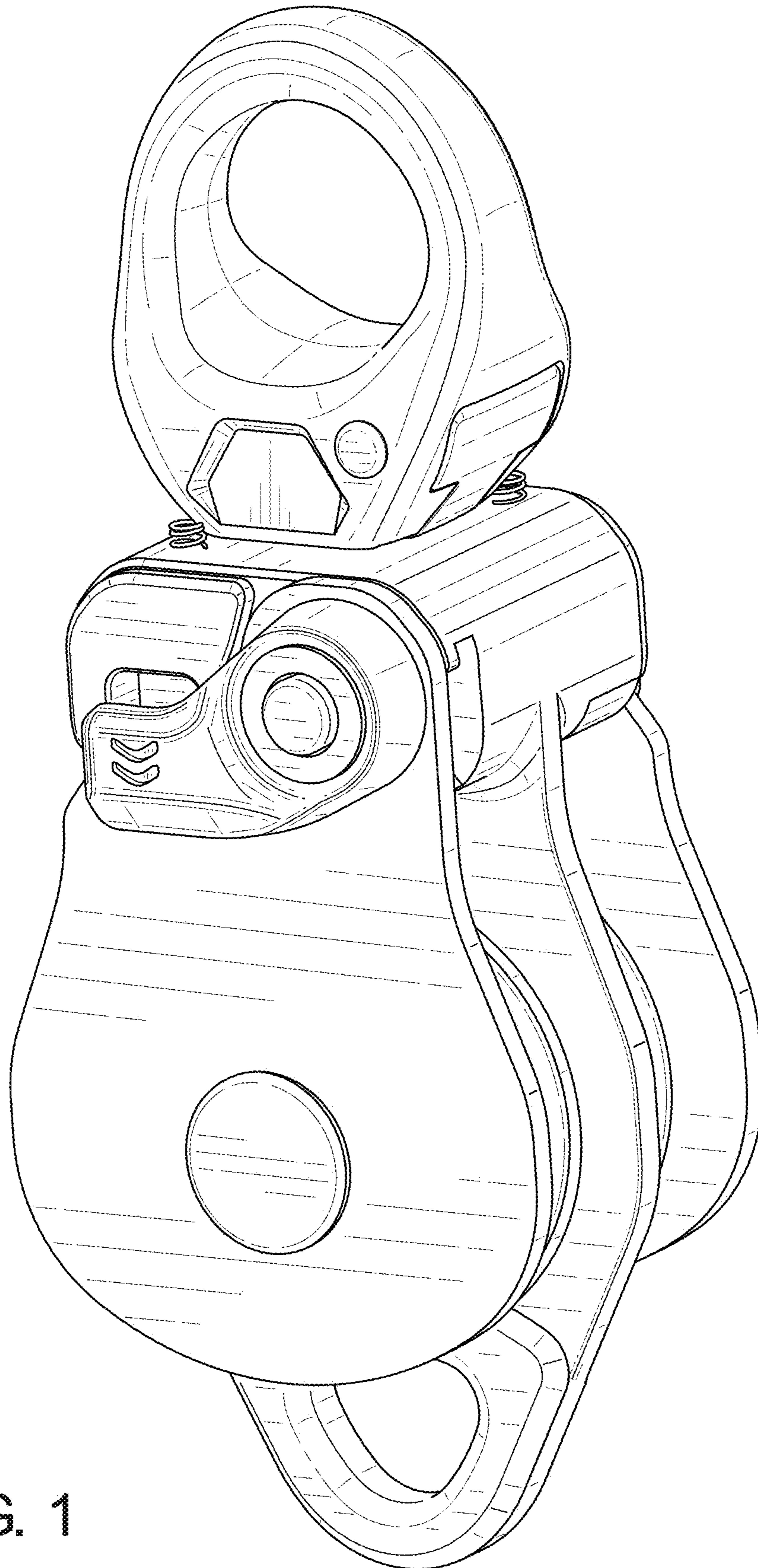


FIG. 1

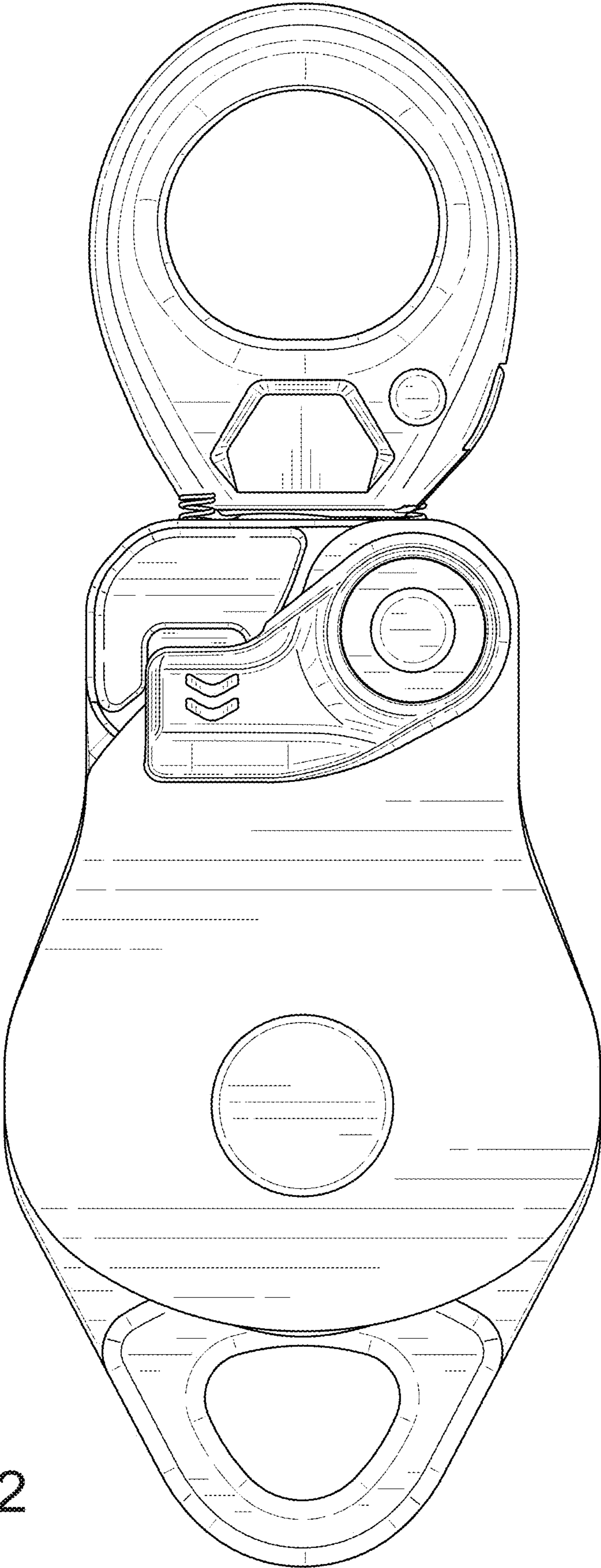


FIG. 2

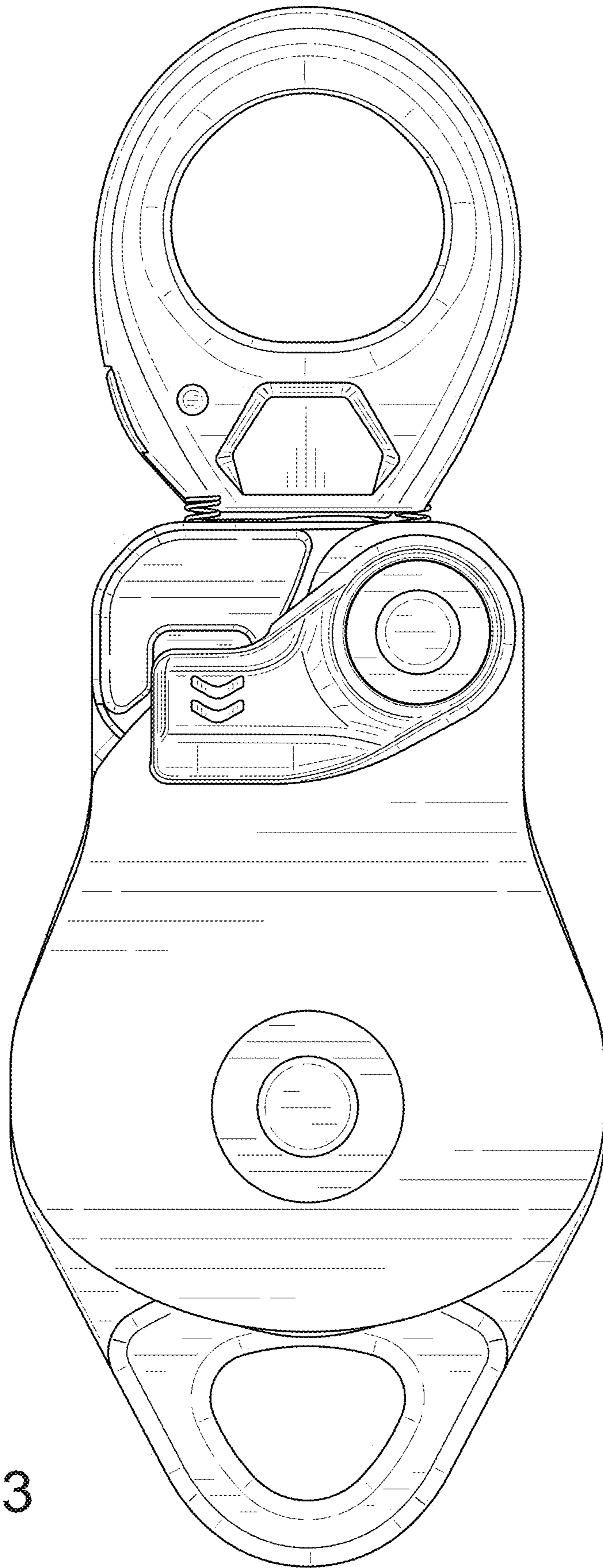


FIG. 3

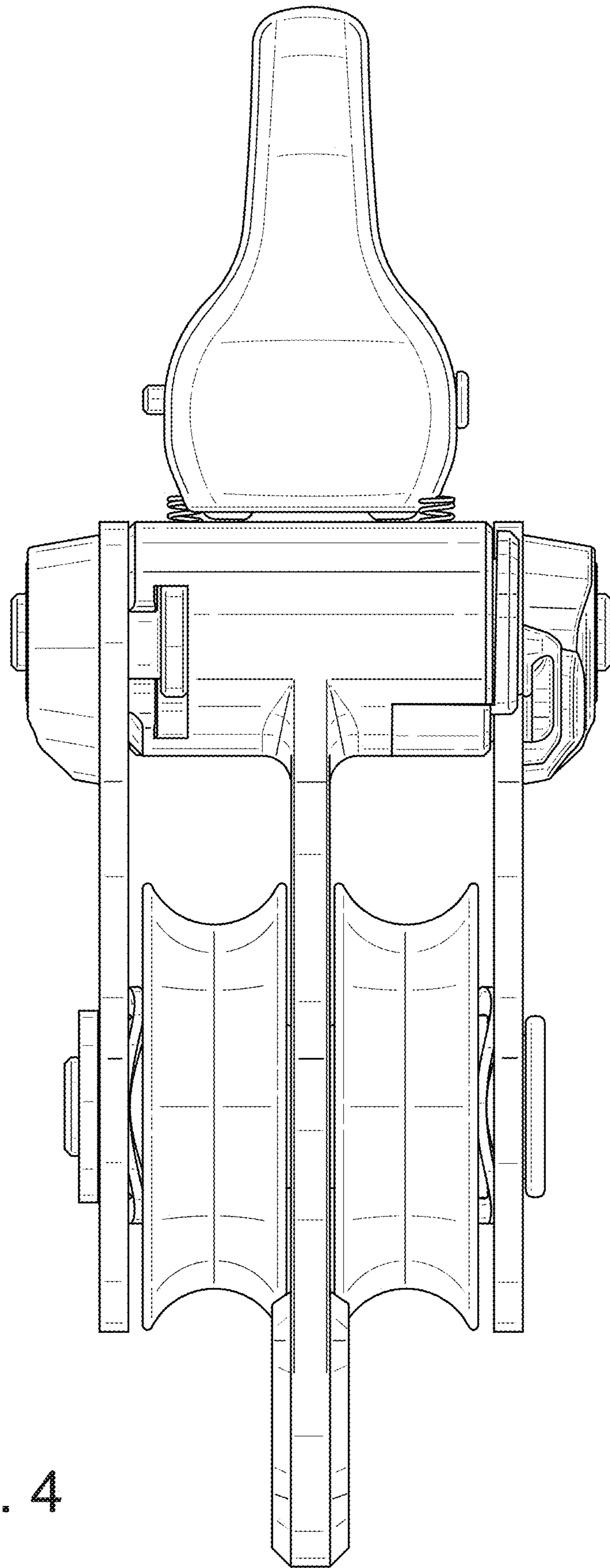


FIG. 4

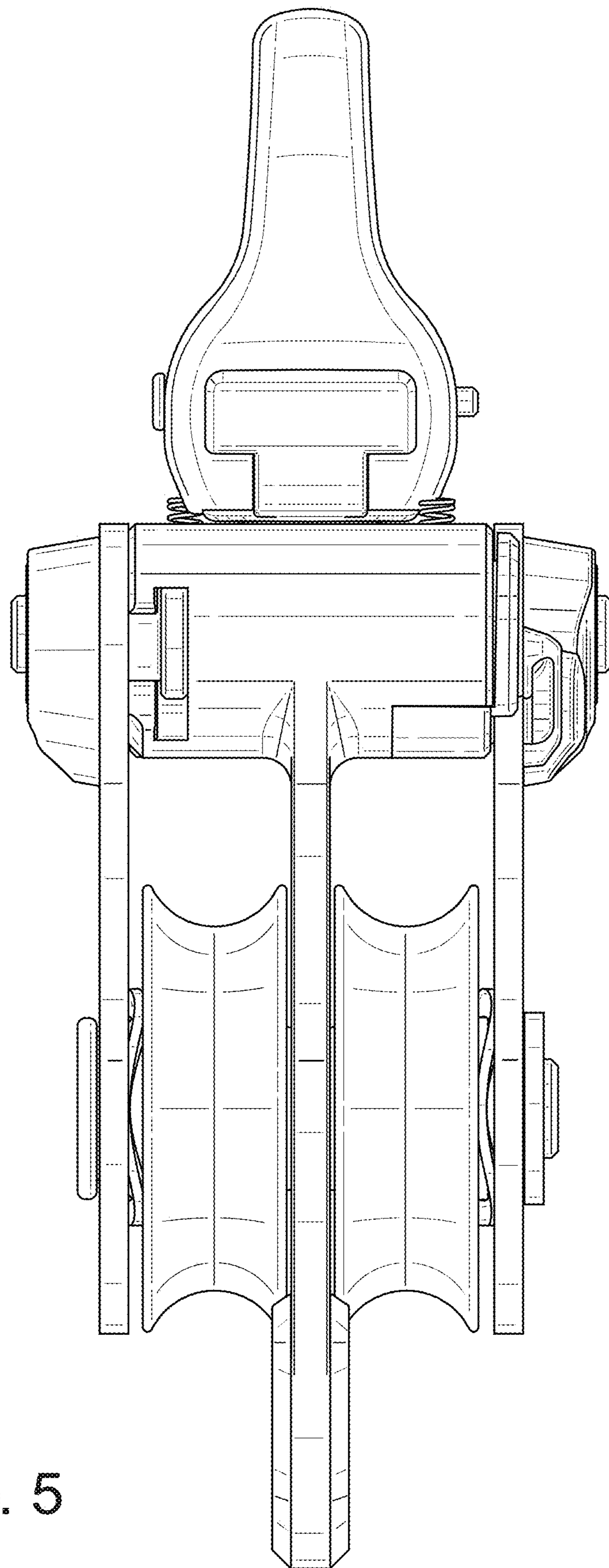


FIG. 5

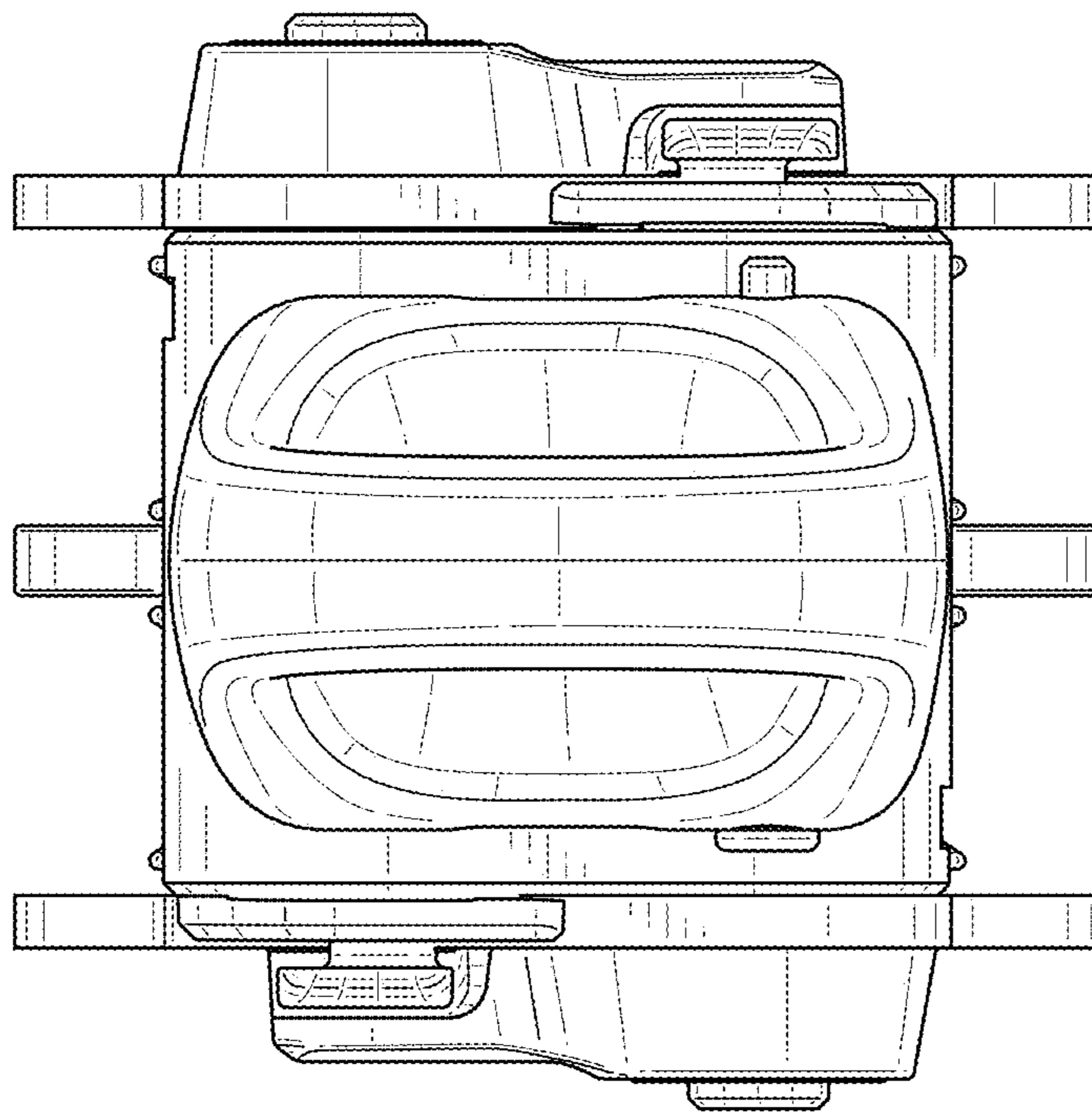


FIG. 6

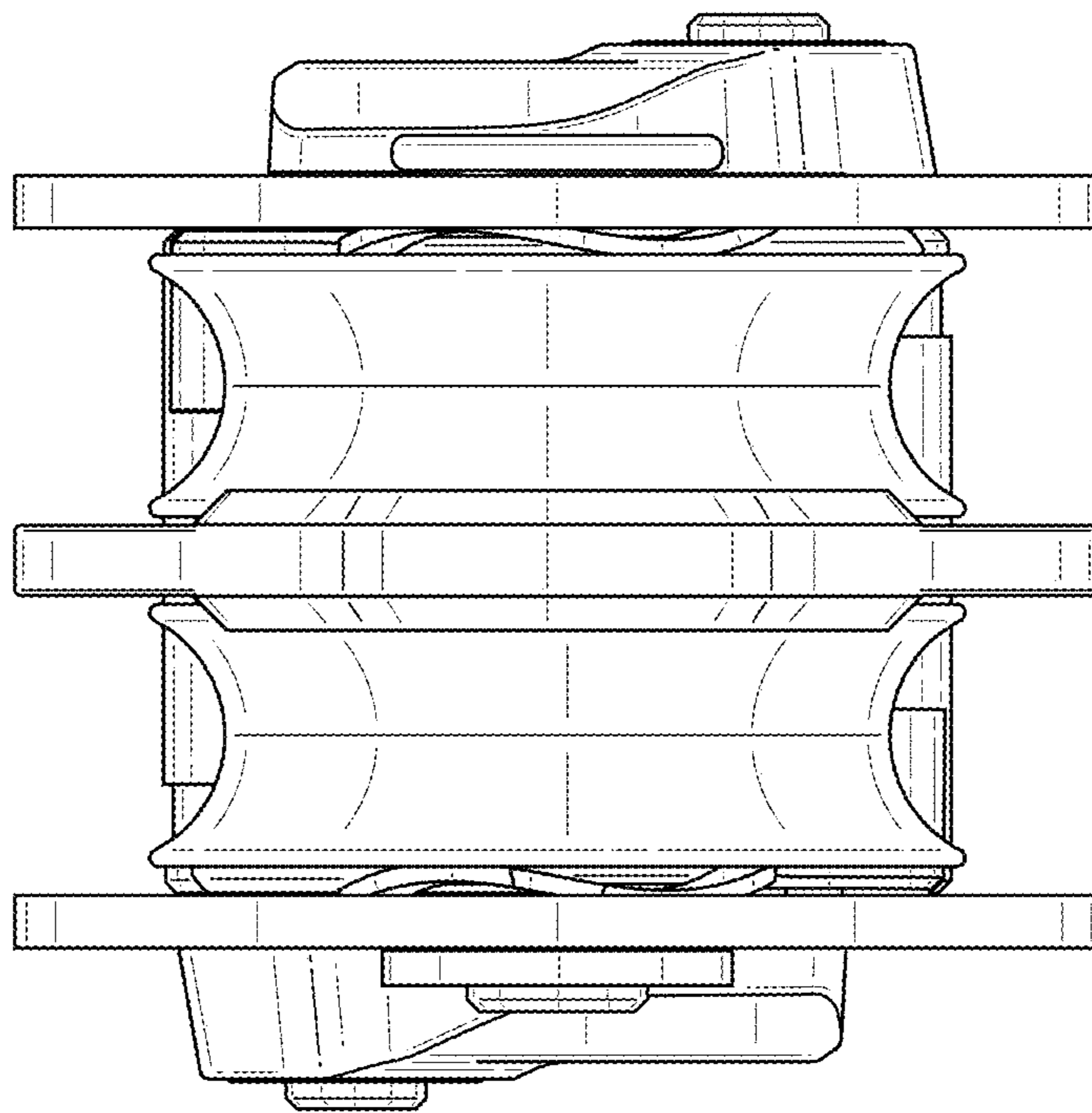


FIG. 7

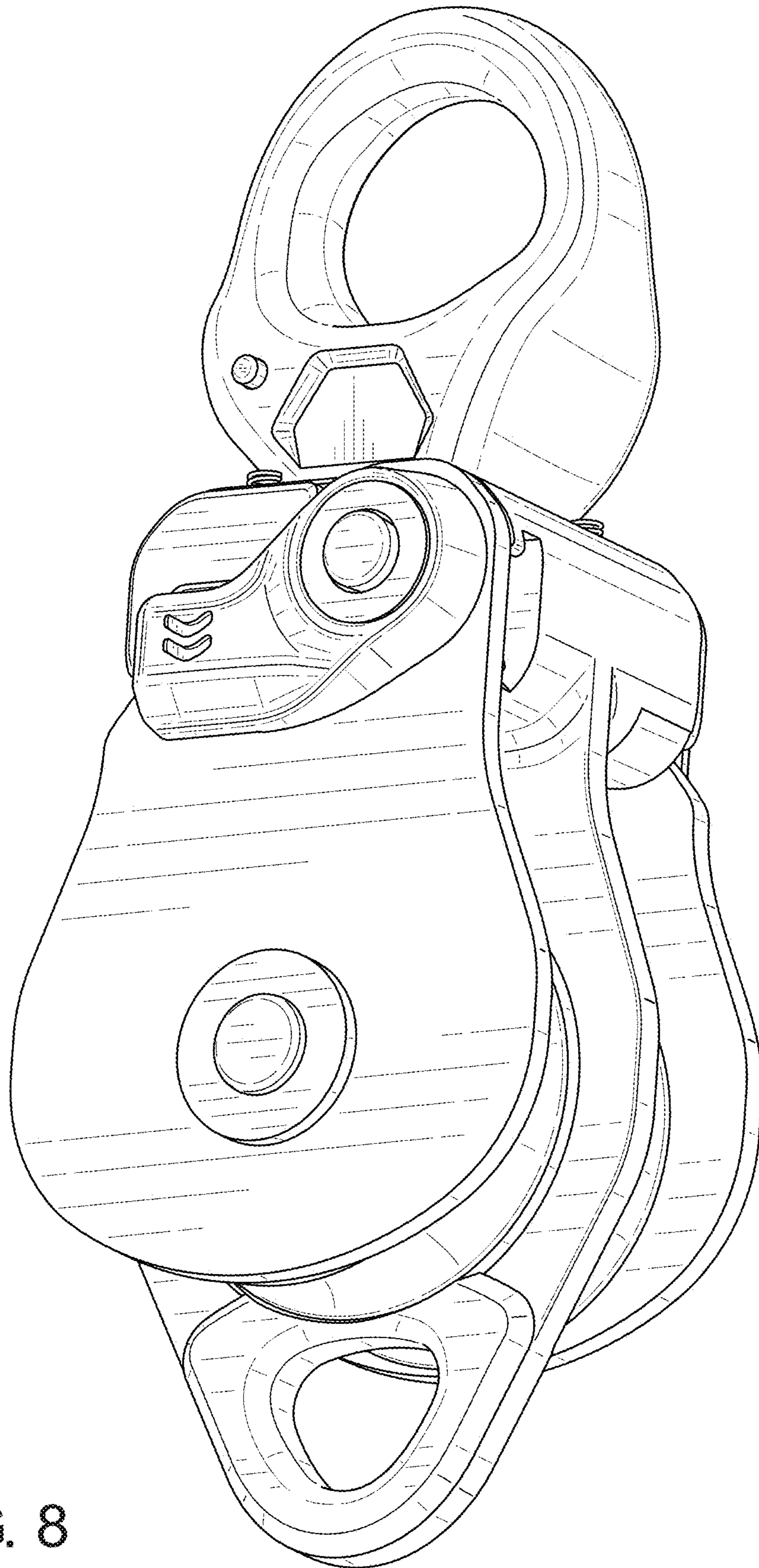


FIG. 8