



US00D984873S

(12) **United States Design Patent**
Cramer

(10) **Patent No.:** **US D984,873 S**

(45) **Date of Patent:** **** May 2, 2023**

(54) **REBAR CHAIR**

(71) Applicant: **OCM Inc.**, Grayslake, IL (US)

(72) Inventor: **Andy Cramer**, Johnsburg, IN (US)

(73) Assignee: **OCM, Inc.**, Grayslake, IL (US)

(**) Term: **15 Years**

(21) Appl. No.: **29/806,943**

(22) Filed: **Sep. 8, 2021**

(51) **LOC (14) Cl.** **08-05**

(52) **U.S. Cl.**

USPC **D8/355**; D8/354

(58) **Field of Classification Search**

USPC D8/354, 349, 380, 384; 52/677, 678,
52/679, 682, 684, 686, 687, 745.21, 688,
52/689; D25/199

CPC ... E04C 5/20; E04C 5/206; E04C 5/18; E04C
5/168

See application file for complete search history.

(56) **References Cited**

U.S. PATENT DOCUMENTS

- 4,060,954 A * 12/1977 Liuzza E04C 5/168
52/309.1
- D421,709 S * 3/2000 Haslem D8/354
- D428,501 S * 7/2000 Haslem D25/199
- D500,243 S * 12/2004 Turek D8/354
- 7,237,367 B1 * 7/2007 Sorkin E04C 5/20
52/687
- D548,056 S * 8/2007 Erickson D8/354
- D578,379 S * 10/2008 Sorkin D8/354
- D578,870 S * 10/2008 Sorkin D8/354
- D594,737 S * 6/2009 Kelly D6/349
- D595,117 S * 6/2009 Sorkin D6/349
- 7,845,136 B1 * 12/2010 Sorkin E04C 5/20
52/687
- 7,870,703 B1 * 1/2011 Sorkin E04C 5/18
D25/199

- D719,817 S * 12/2014 Perry D8/380
- D738,194 S * 9/2015 Baldoni D8/380
- D738,195 S * 9/2015 Perry D8/380
- D889,940 S * 7/2020 Gilner D8/354
- 2009/0044481 A1 * 2/2009 Turek E04C 5/20
52/687
- 2013/0125498 A1 * 5/2013 Lowery E04C 5/203
52/687

FOREIGN PATENT DOCUMENTS

CN 212534820 2/2021

OTHER PUBLICATIONS

Certified MTP, not title, Jun. 2021, 3 pages, Published in USA.

* cited by examiner

Primary Examiner — Keli L Hill

Assistant Examiner — Harold E Blackwell, II

(74) *Attorney, Agent, or Firm* — Liell + McNeil

(57) **CLAIM**

The ornamental design for a rebar chair, as shown and described.

DESCRIPTION

FIG. 1 is a front view of rebar chair according to the present disclosure;

FIG. 2 is a left side view of the rebar chair;

FIG. 3 is a right side view of the rebar chair;

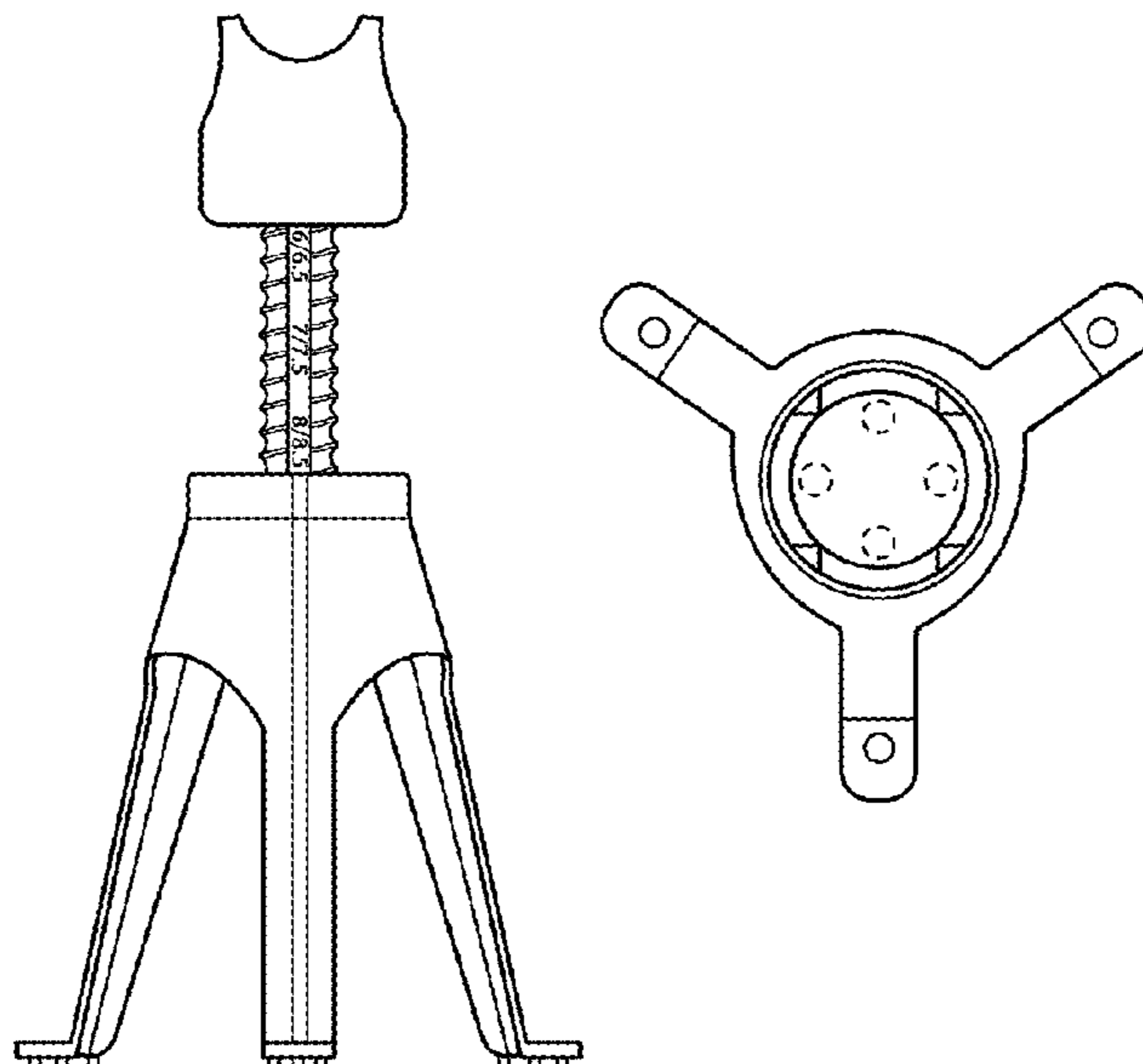
FIG. 4 is a top side view of the rebar chair;

FIG. 5 is a bottom side view of the rebar chair; and,

FIG. 6 is a perspective view of the rebar chair according to the present disclosure.

The four dashed line circles in FIG. 4 illustrate portions of the rebar chair, and form no part of the claimed design.

1 Claim, 2 Drawing Sheets



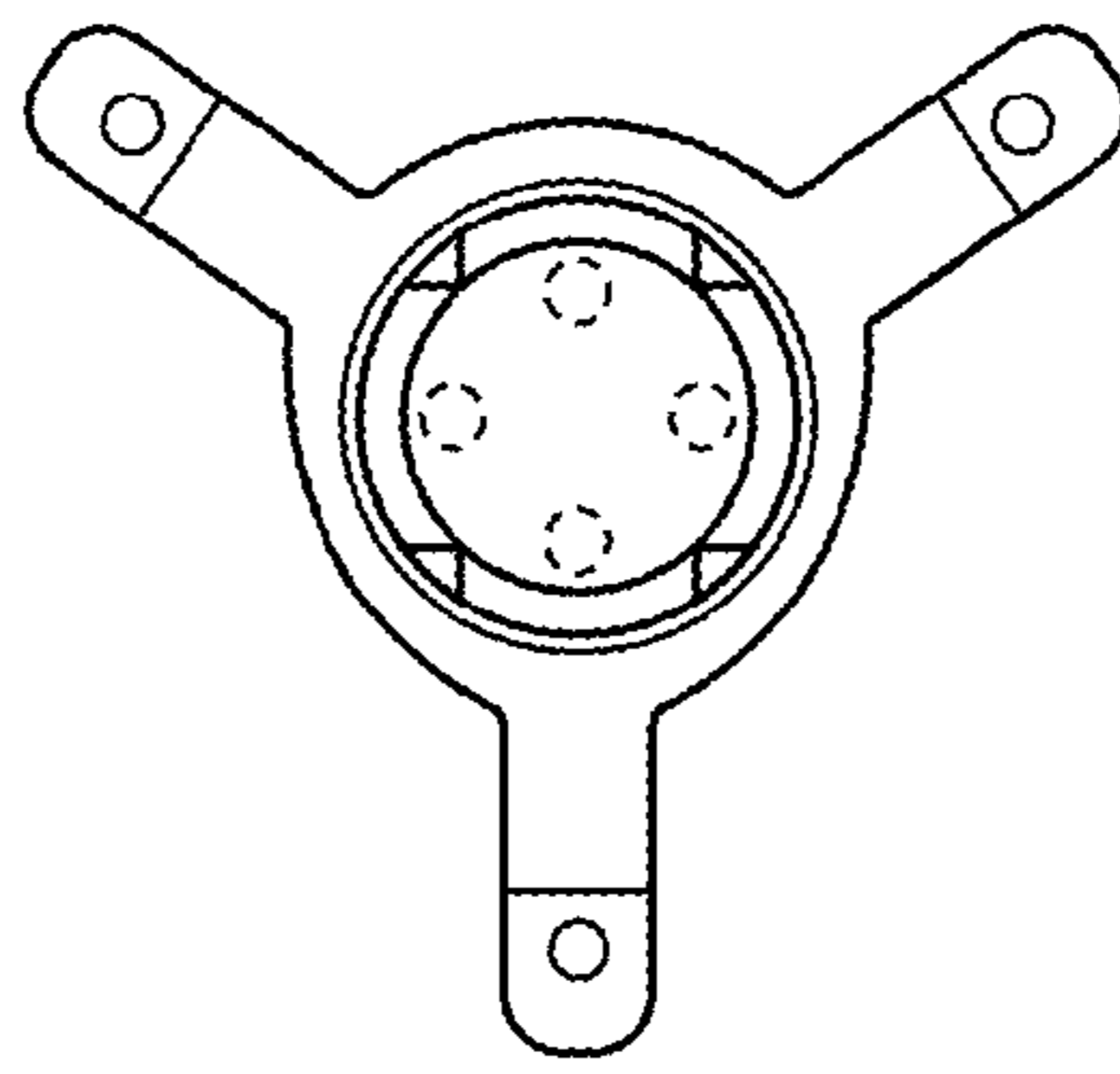


FIG. 4

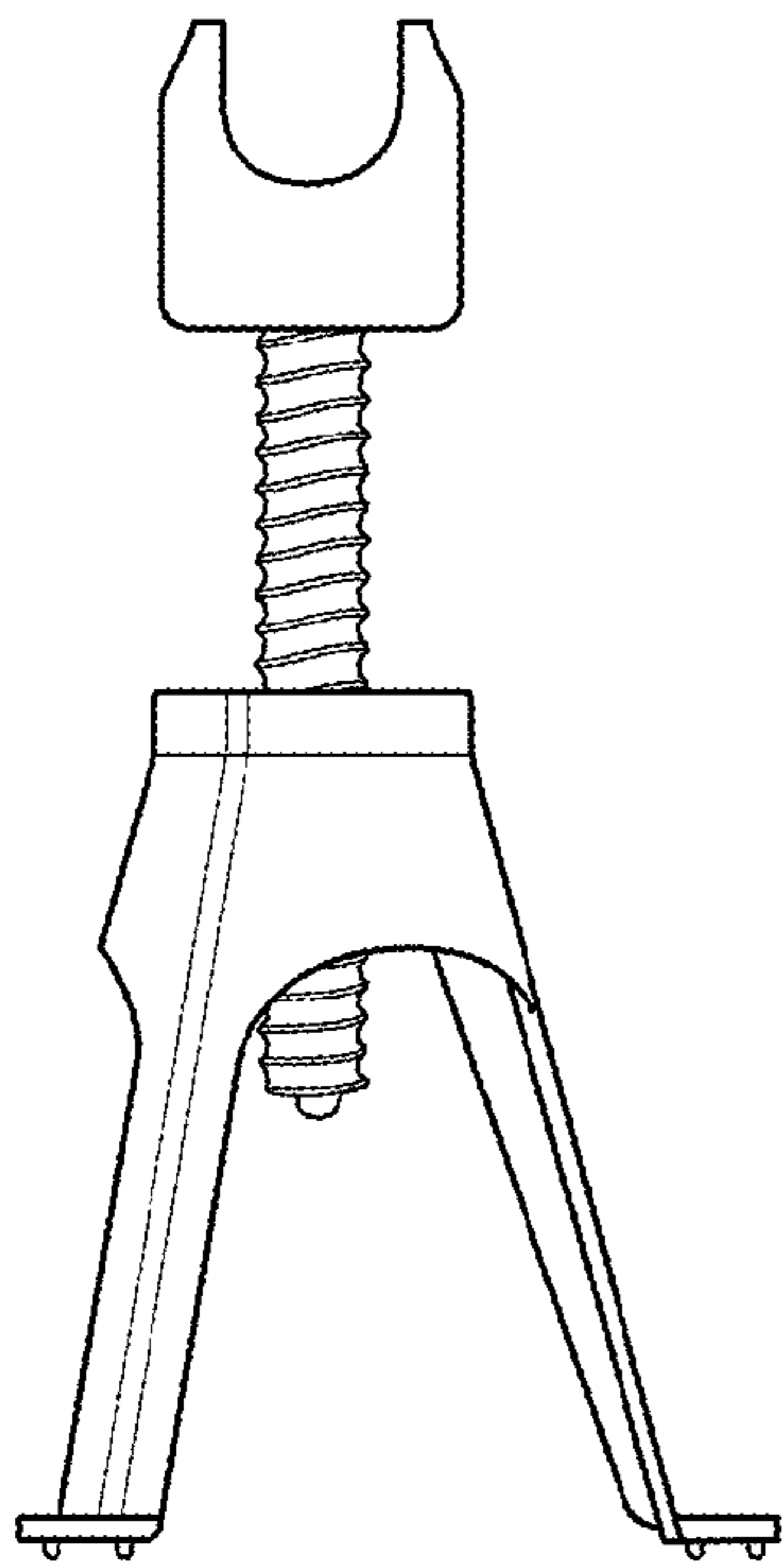


FIG. 2

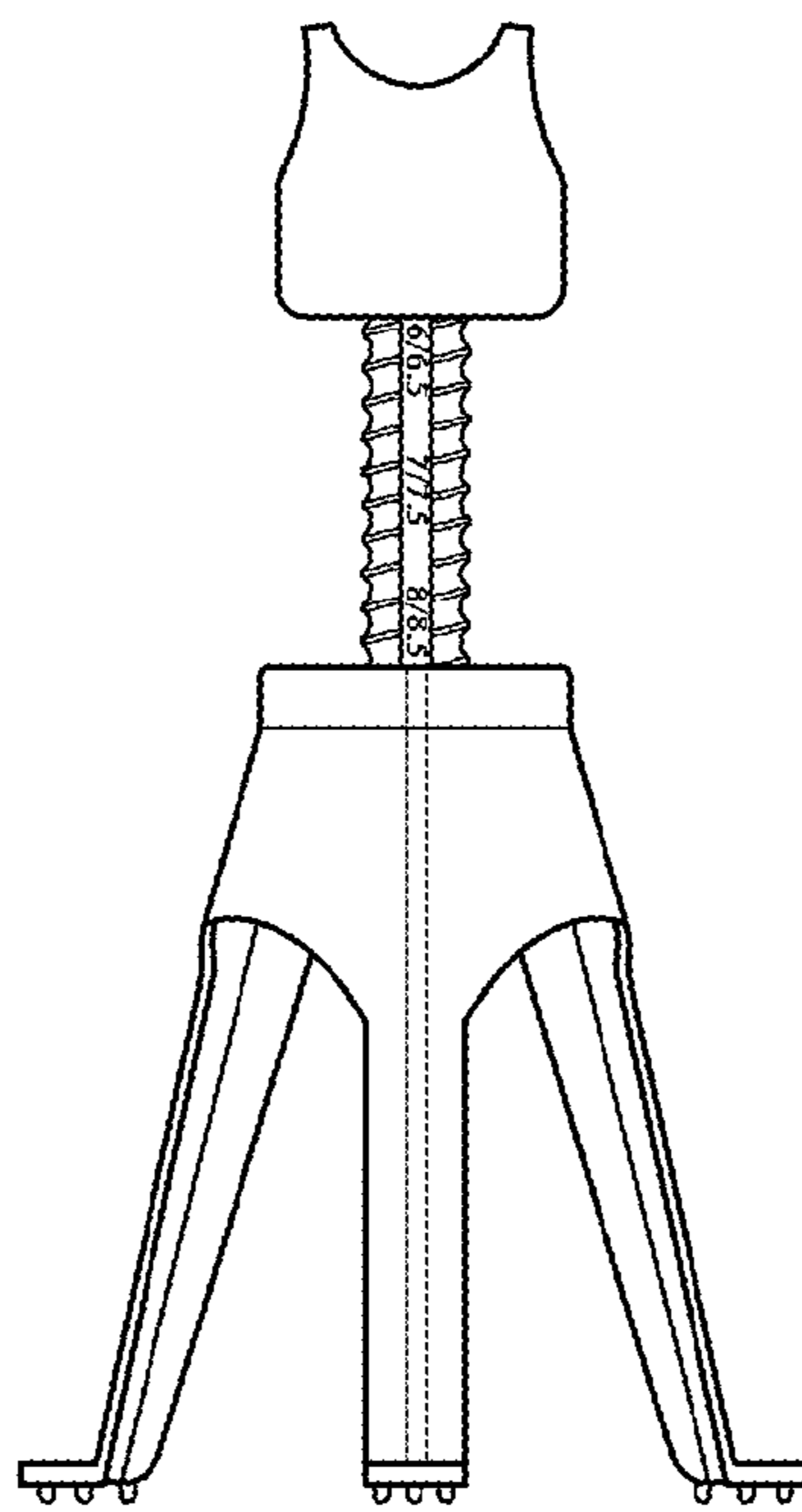


FIG. 1

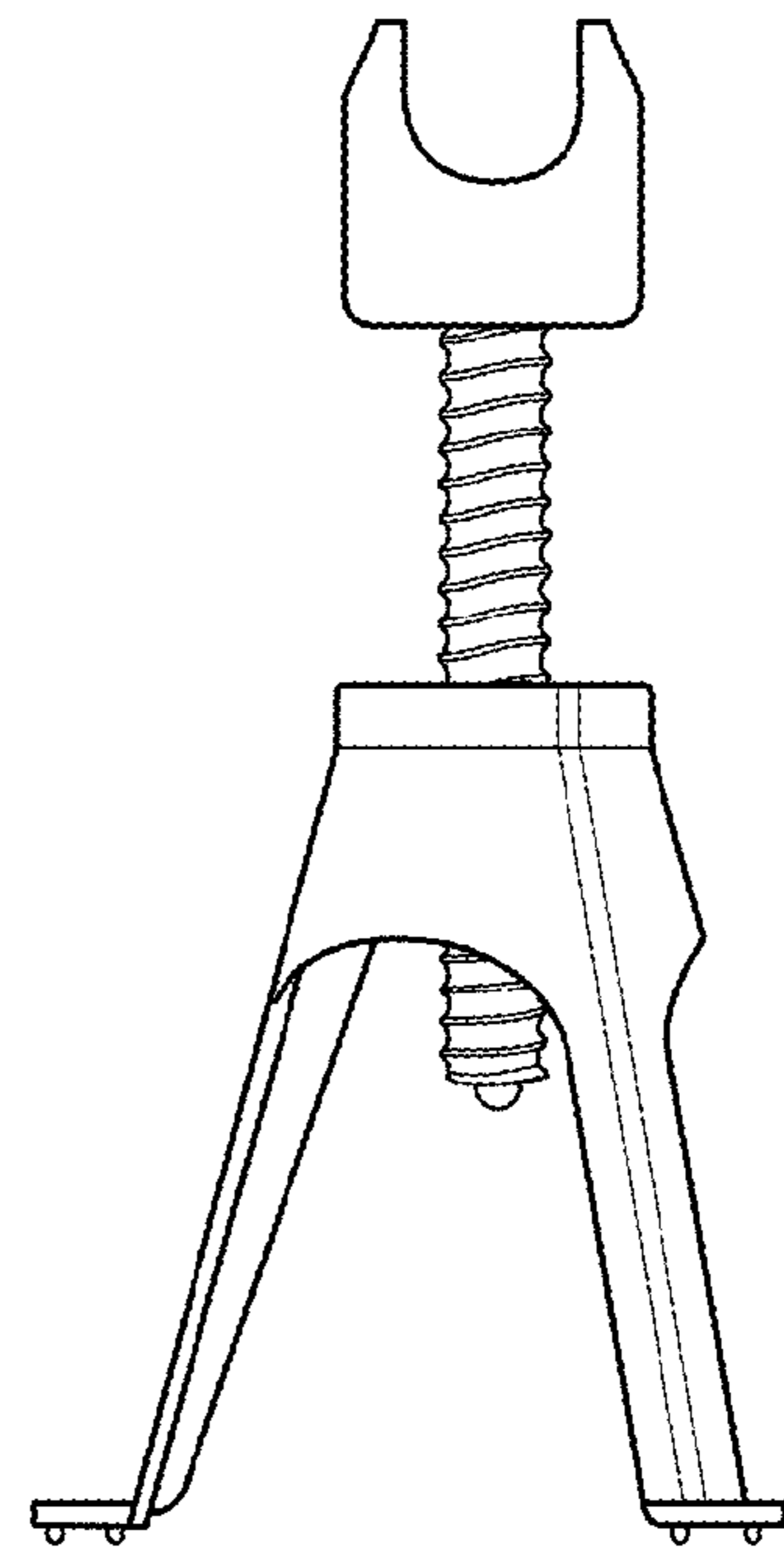


FIG. 3

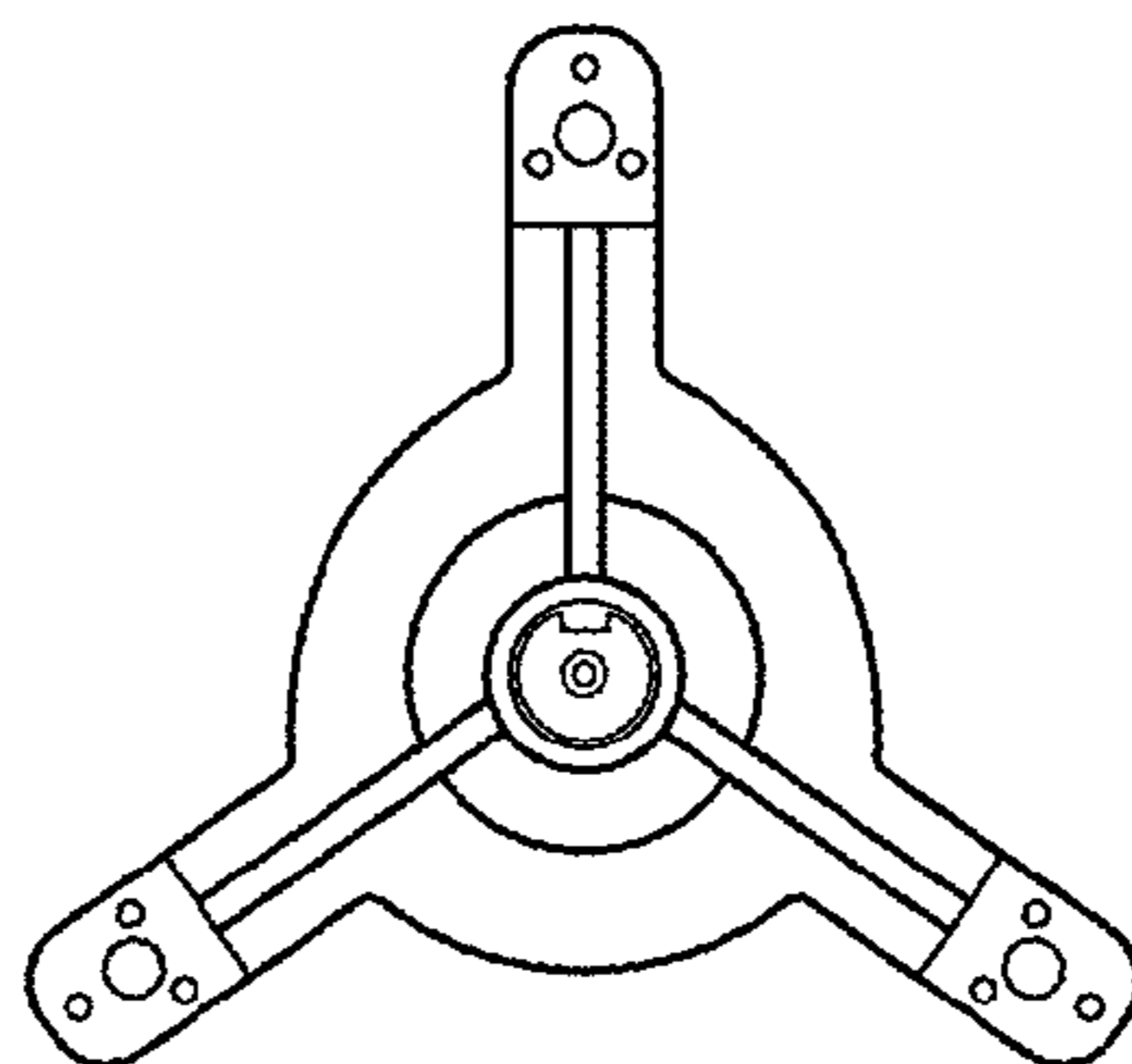


FIG. 5

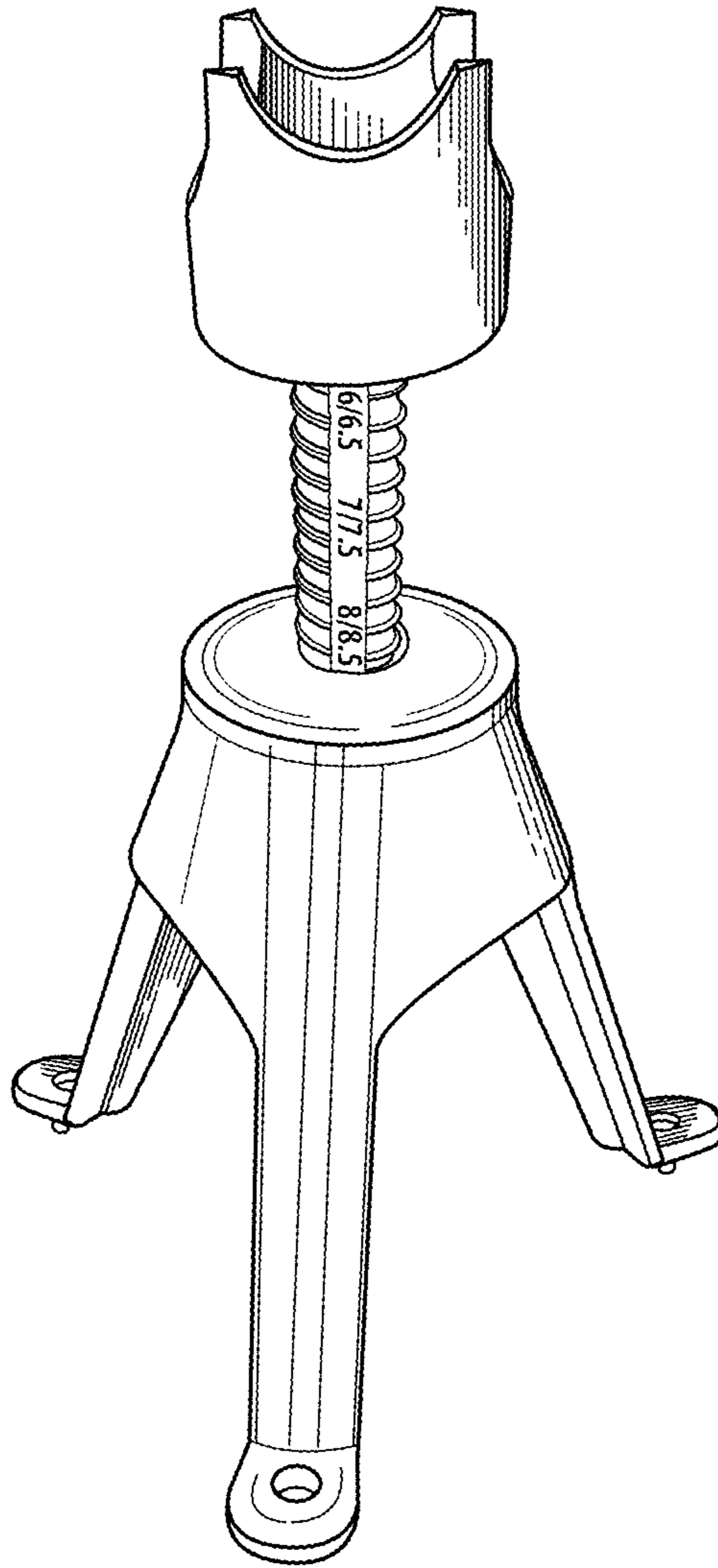


FIG. 6