



US00D984871S

(12) **United States Design Patent** (10) **Patent No.:** **US D984,871 S**  
**Galvan** (45) **Date of Patent:** **\*\* May 2, 2023**

(54) **WINDOW COVER SUPPORT**  
(71) Applicant: **Johnny Galvan**, Hitchcock, TX (US)  
(72) Inventor: **Johnny Galvan**, Hitchcock, TX (US)  
(\*\*) Term: **15 Years**  
(21) Appl. No.: **29/794,197**  
(22) Filed: **Jun. 10, 2021**  
(51) **LOC (14) Cl.** ..... **08-05**  
(52) **U.S. Cl.**  
USPC ..... **D8/354**  
(58) **Field of Classification Search**  
USPC .... D8/61, 67, 354, 349, 355, 363-366, 373,  
D8/380-382, 323; D25/113, 119, 126,  
D25/164; D14/250-253; D6/549-550,  
D6/546  
CPC ..... E04C 5/18; E04C 5/168; E04C 2002/047;  
E04C 2/384; E04C 5/201; F16B 12/24;  
F16B 21/086; F16B 12/22; F16B  
19/1081; F16B 12/40; F16B 5/0607;  
H04B 1/3888; H04B 1/3877  
See application file for complete search history.

D742,718 S \* 11/2015 Bouthillier ..... D8/349  
D742,719 S \* 11/2015 Komura ..... D8/349  
D747,642 S \* 1/2016 Grace ..... D8/356  
D747,643 S \* 1/2016 Grace ..... D8/356  
9,587,427 B2 3/2017 Webb  
D959,957 S \* 8/2022 Kim ..... D8/349  
D960,687 S \* 8/2022 Underwood ..... D8/354  
2006/0185271 A1 8/2006 Christensen  
2007/0101667 A1 5/2007 Sweet, Jr.  
2008/0196333 A1\* 8/2008 Tyler ..... E06B 1/6076  
52/204.63  
2012/0073201 A1 3/2012 Duffany

**FOREIGN PATENT DOCUMENTS**

WO WO200905173 4/2009

\* cited by examiner

*Primary Examiner* — Karen S Acker  
*Assistant Examiner* — Elizabeth S Ko

(57) **CLAIM**

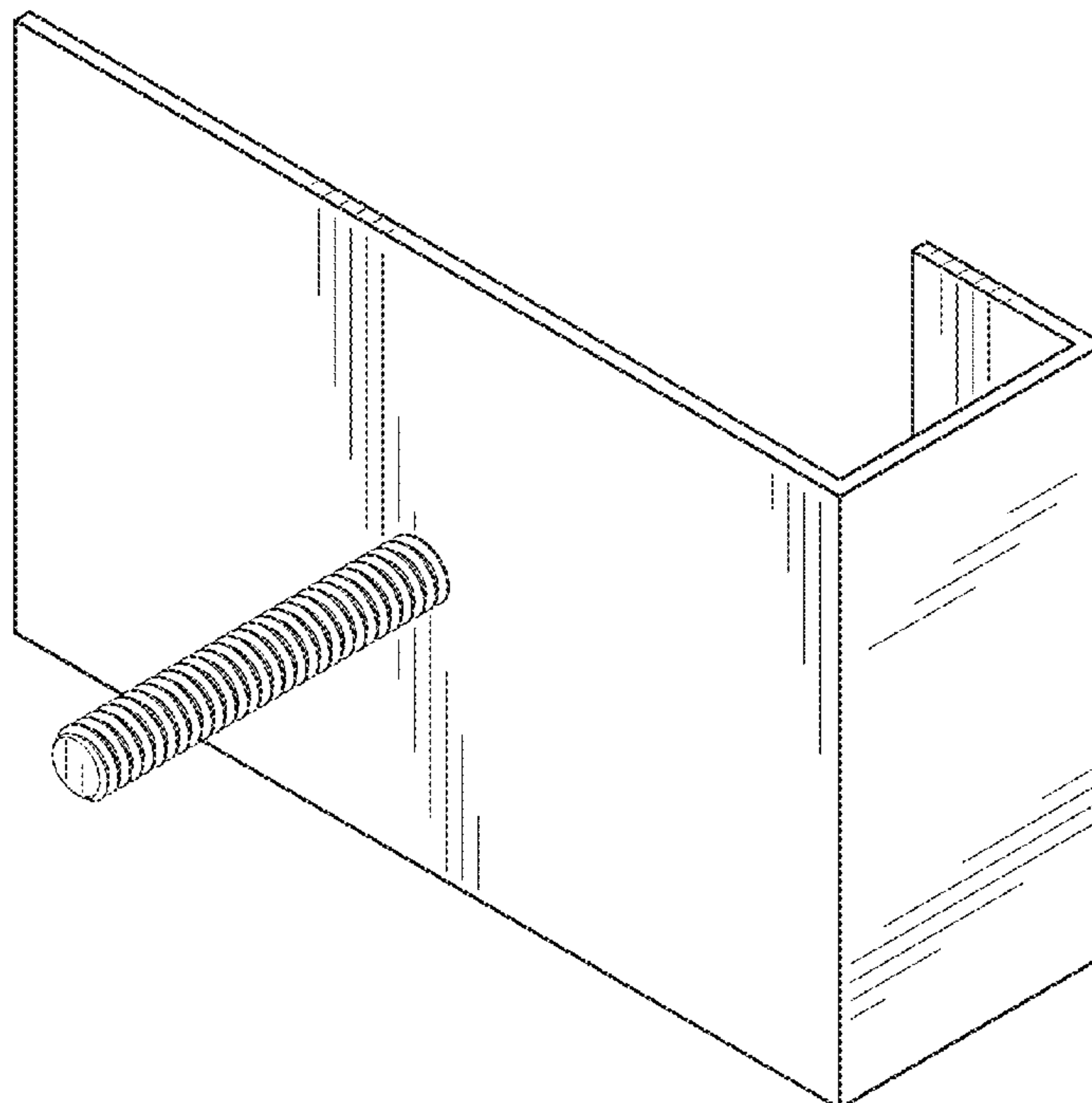
The ornamental design for a window cover support, as shown and described.

**DESCRIPTION**

FIG. 1 is a front view of a window cover support showing my new design;  
FIG. 2 is a rear view of the window cover support;  
FIG. 3 is a right side view of the window cover support;  
FIG. 4 is a left side view of the window cover support;  
FIG. 5 is a top view of the window cover support;  
FIG. 6 is a bottom view of the window cover support; and,  
FIG. 7 is a top front side perspective view of the window cover support.

**1 Claim, 4 Drawing Sheets**

(56) **References Cited**  
U.S. PATENT DOCUMENTS  
D274,498 S \* 7/1984 Ash ..... D8/349  
D373,068 S \* 8/1996 Airey ..... D8/349  
D409,076 S \* 5/1999 Wolf ..... D8/349  
D416,469 S \* 11/1999 Lentz ..... D8/349  
D441,273 S \* 5/2001 O'Donnell ..... D8/349  
6,393,777 B1 5/2002 Renfrow  
D483,650 S \* 12/2003 Squillante ..... D8/349  
D628,460 S \* 12/2010 Seitz ..... D8/354  
D741,688 S \* 10/2015 James ..... D8/349



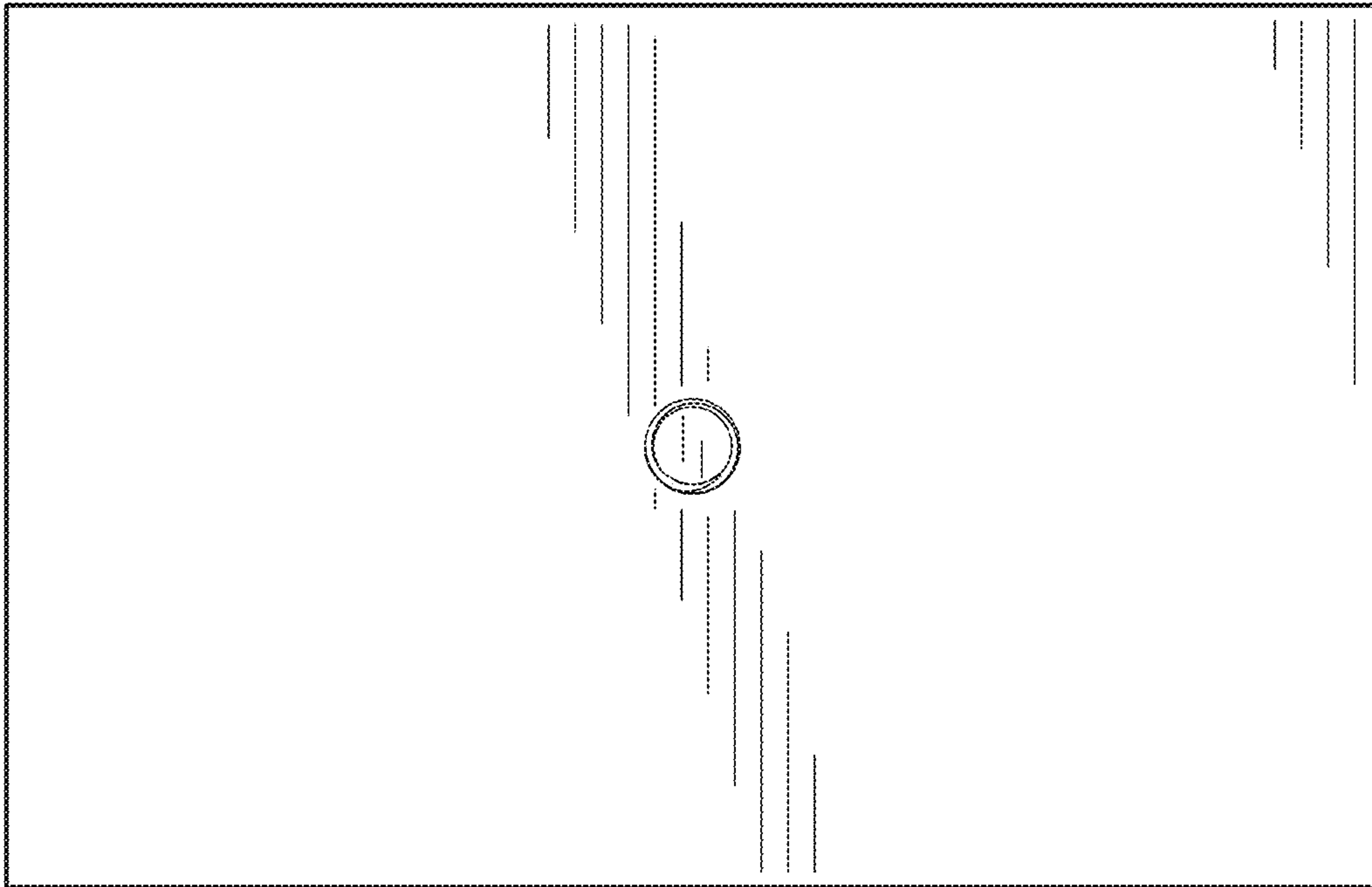


FIG. 1

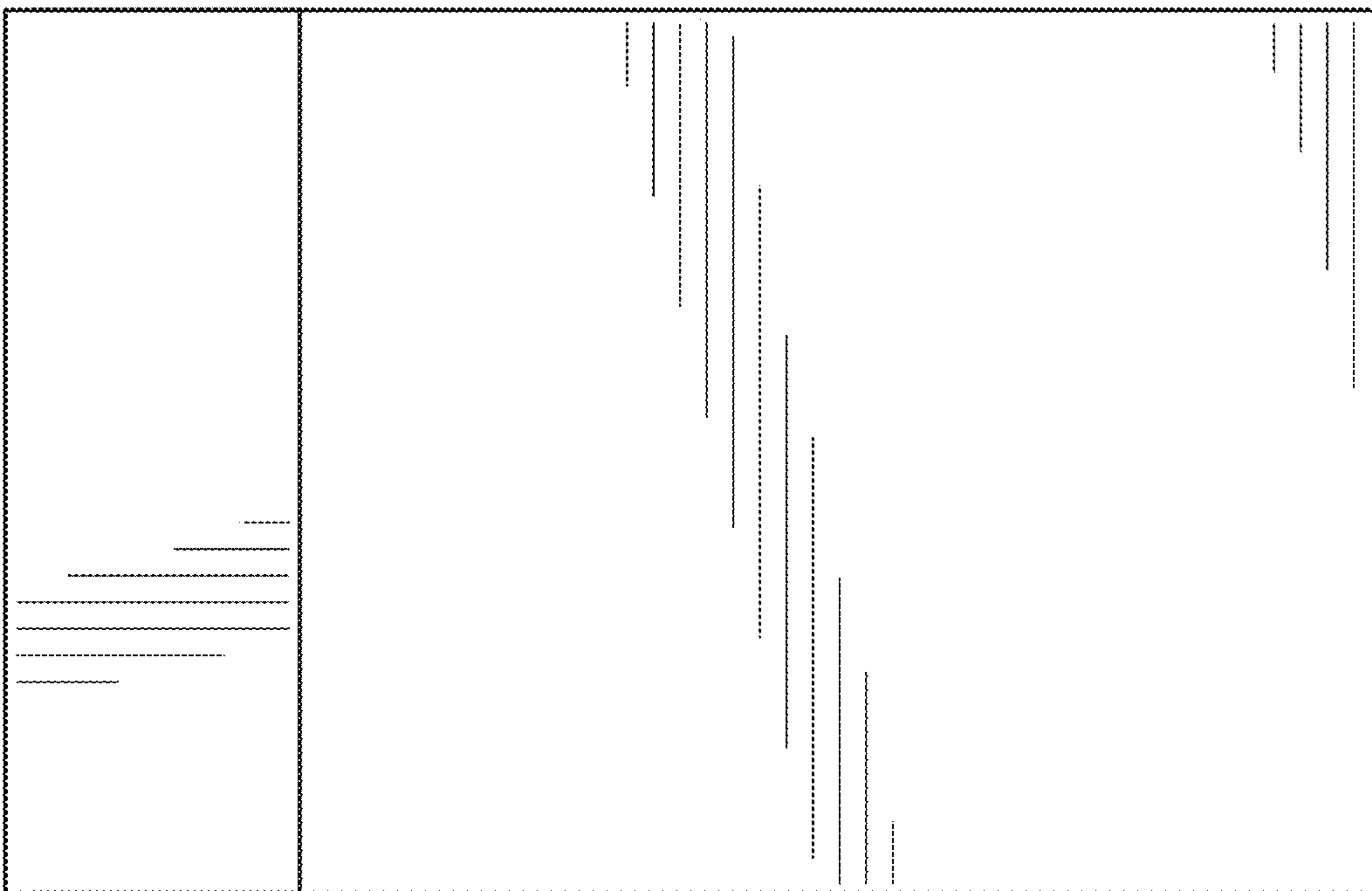


FIG. 2

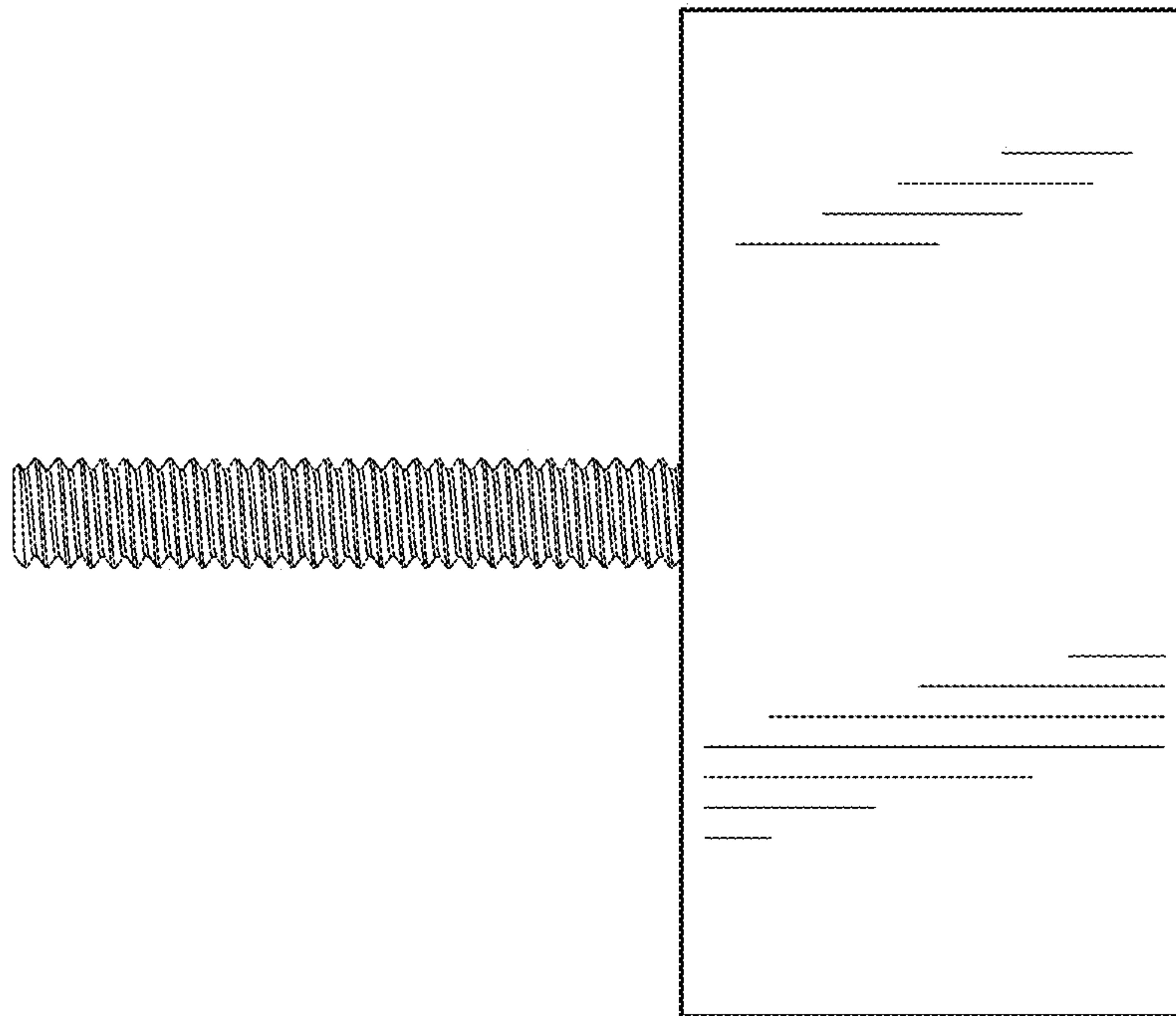


FIG. 3

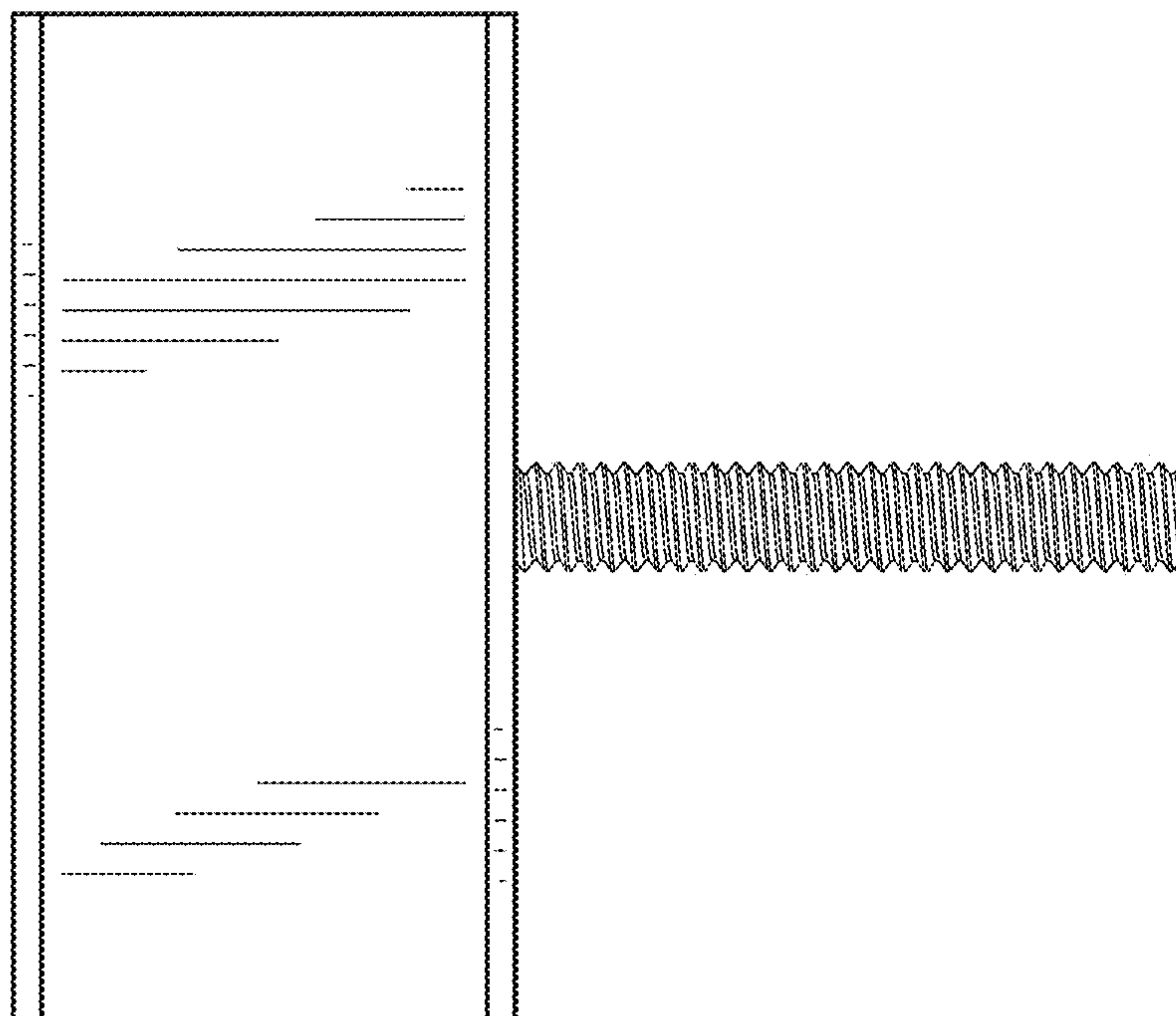


FIG. 4

FIG. 5

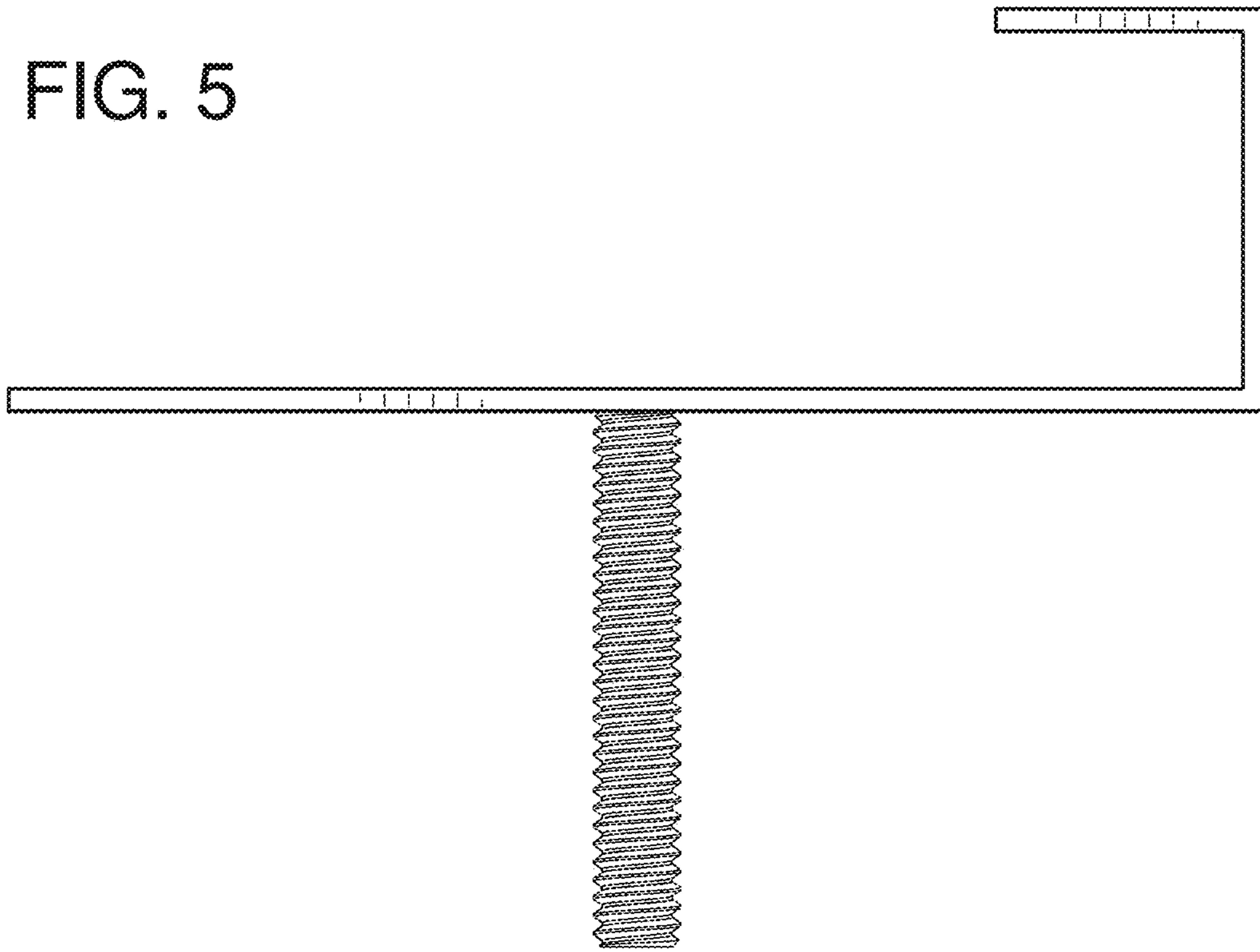
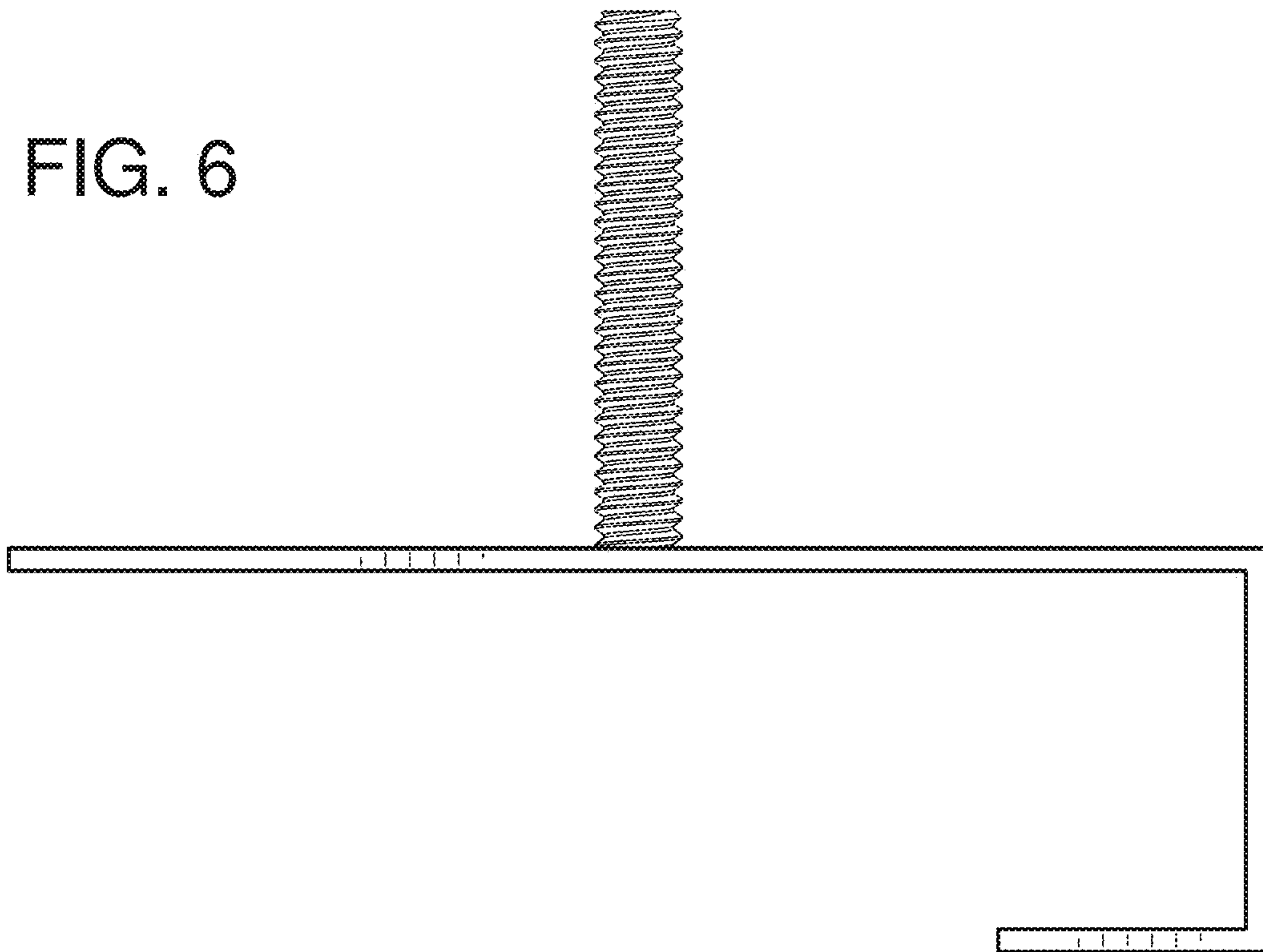


FIG. 6



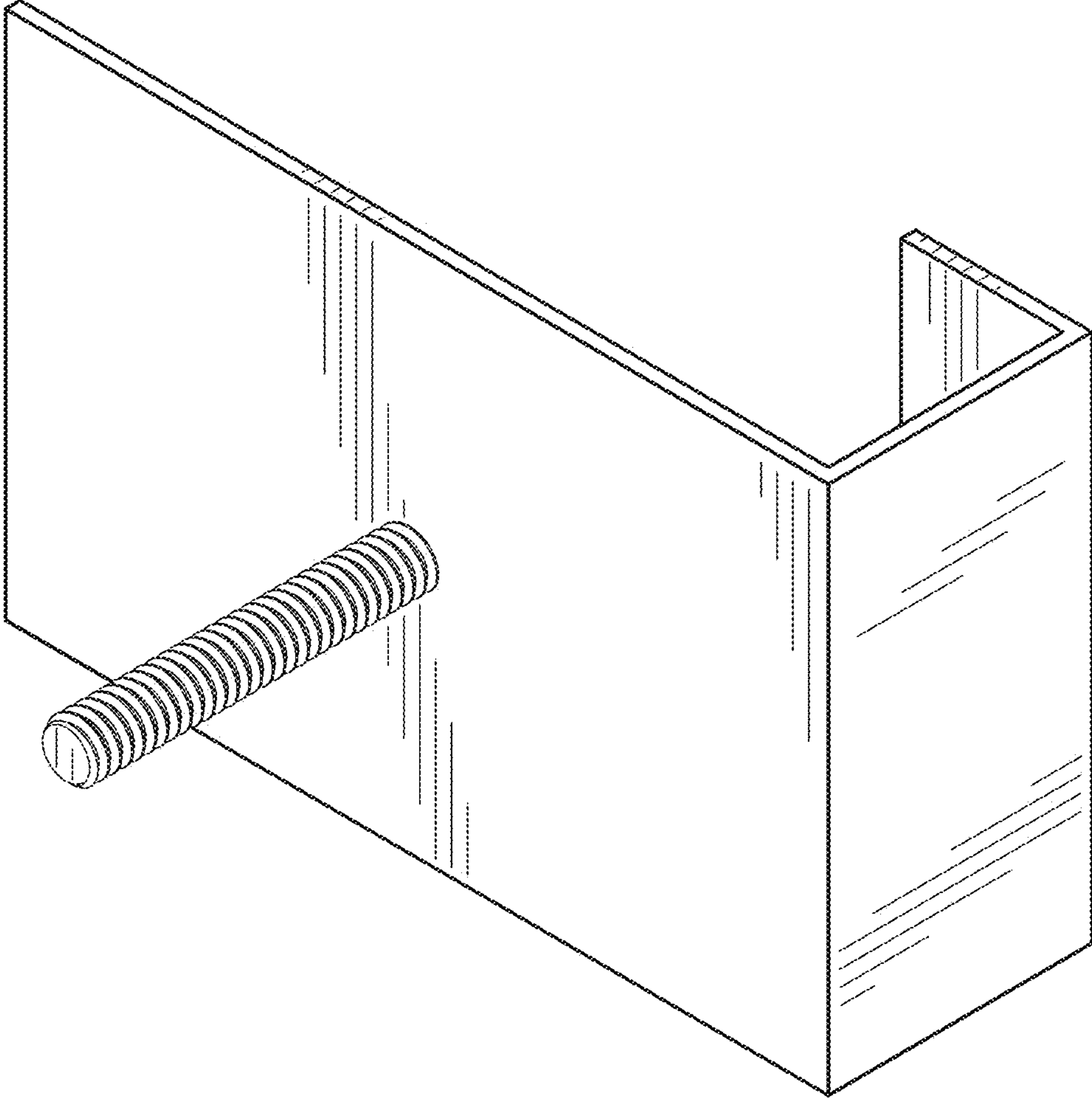


FIG. 7