



US00D984868S

(12) **United States Design Patent**
Chen

(10) **Patent No.:** **US D984,868 S**

(45) **Date of Patent:** **** May 2, 2023**

(54) **EXPANSION TENSIONER**

(71) Applicant: **Mianlong Chen**, Xiamen (CN)

(72) Inventor: **Mianlong Chen**, Xiamen (CN)

(**) Term: **15 Years**

(21) Appl. No.: **29/786,833**

(22) Filed: **Jun. 2, 2021**

(51) **LOC (14) Cl.** **08-08**

(52) **U.S. Cl.**
USPC **D8/356**

(58) **Field of Classification Search**
USPC D8/354, 355, 356, 382, 387, 44
CPC D07B 9/00; F16G 11/105; F16G 11/106;
F16G 11/025; F16G 11/04; F16B 2/065;
F16B 2/14

See application file for complete search history.

(56) **References Cited**

U.S. PATENT DOCUMENTS

- 3,852,850 A * 12/1974 Filhaber F16G 11/048
24/115 M
- 3,952,377 A * 4/1976 Morell E04C 5/122
403/374.2
- 5,015,023 A * 5/1991 Hall F16G 11/048
294/102.1
- 5,369,849 A * 12/1994 De France F16G 11/048
24/115 M
- D423,913 S * 5/2000 Dougan, Jr. F16G 11/025
D8/356
- 7,043,801 B2 * 5/2006 Toimil F16G 11/106
24/136 R

- D531,014 S * 10/2006 Arakawa F16G 11/106
D8/383
- D563,772 S * 3/2008 Durocher F16G 11/048
D8/356
- D814,269 S * 4/2018 Veilleux F16G 11/042
D8/356
- 10,436,231 B2 * 10/2019 White F16G 11/025
- 11,018,481 B1 * 5/2021 Crompton H02G 1/081
- 11,391,344 B1 * 7/2022 Sargent D07B 9/00
- 2018/0030832 A1 * 2/2018 Abreu E21D 21/008
- 2020/0002947 A1 * 1/2020 Hachisuka D07B 9/00
- 2021/0254340 A1 * 8/2021 Winstörfer F16G 11/042

* cited by examiner

Primary Examiner — Philip S Hyder

(74) *Attorney, Agent, or Firm* — Bayramoglu Law Offices LLC

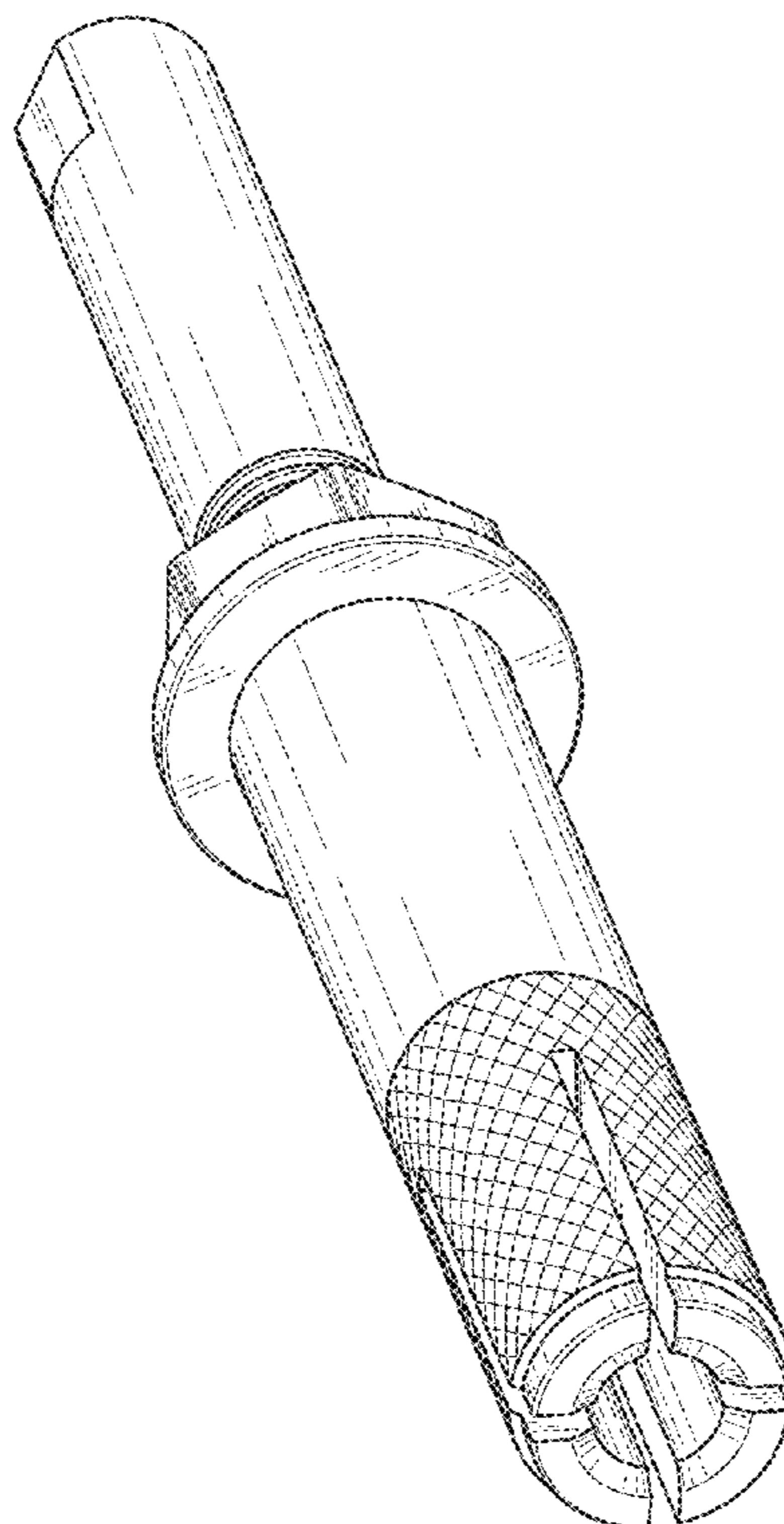
(57) **CLAIM**

The ornamental design for an expansion tensioner, as shown and described.

DESCRIPTION

FIG. 1 is a bottom perspective view of an expansion tensioner showing my new design; FIG. 2 is a front view thereof; FIG. 3 is a rear view thereof; FIG. 4 is a right side view thereof; FIG. 5 is a left side view thereof; FIG. 6 is a bottom view thereof; FIG. 7 is a top view thereof; and, FIG. 8 is a top perspective view thereof.

1 Claim, 8 Drawing Sheets



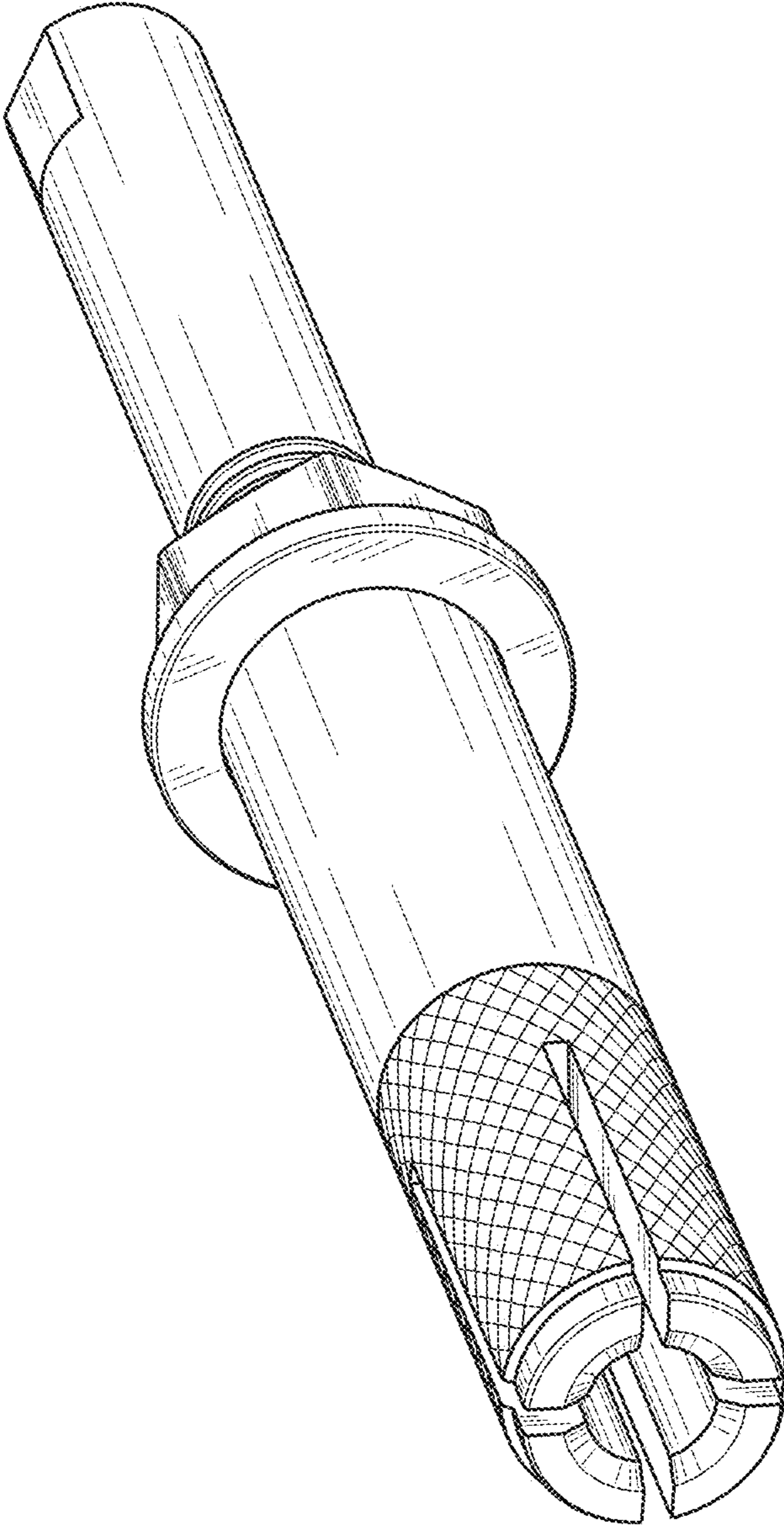


Fig. 1

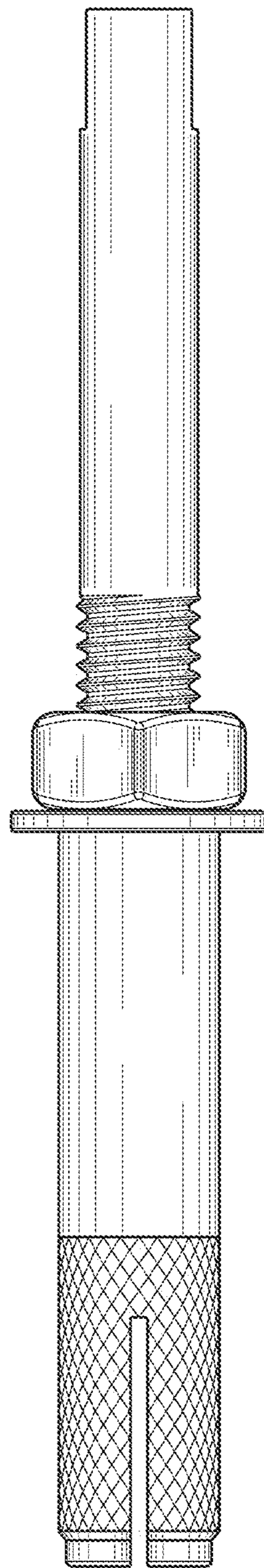


Fig. 2

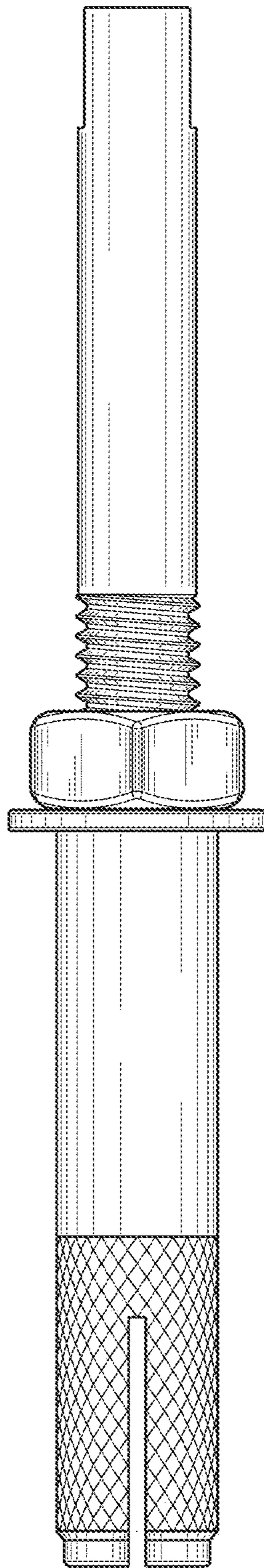


Fig. 3

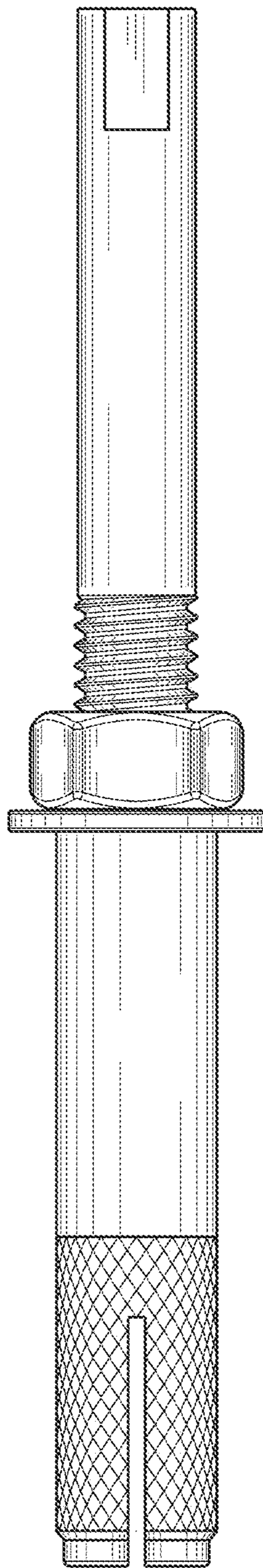


Fig. 4

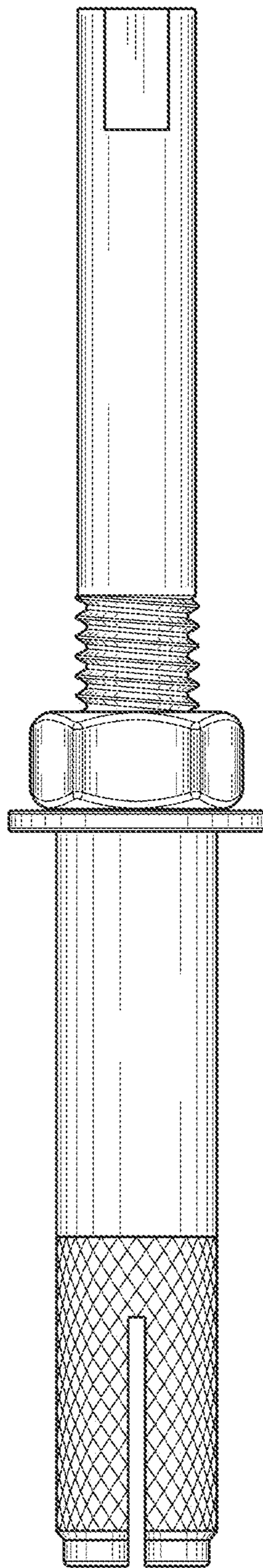


Fig. 5

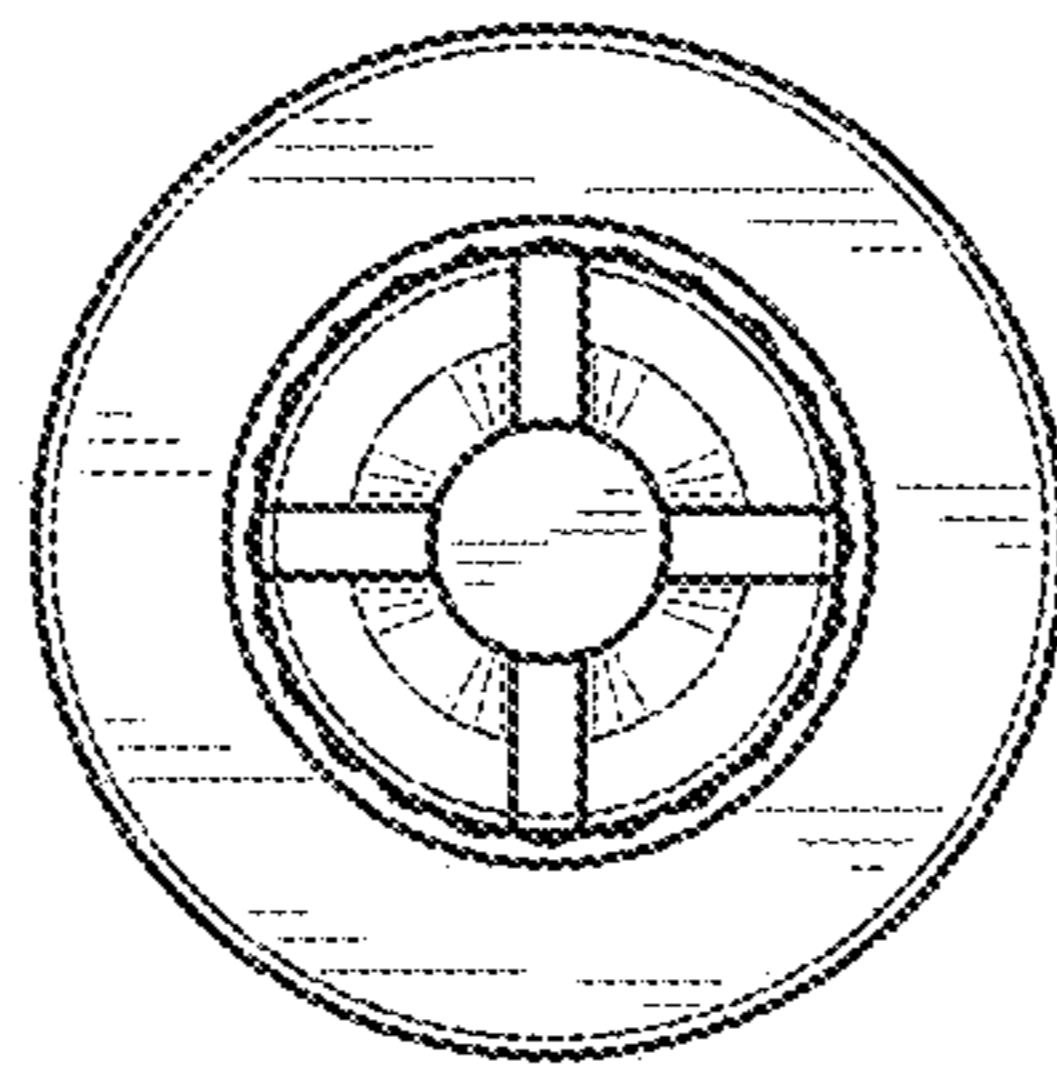


Fig. 6

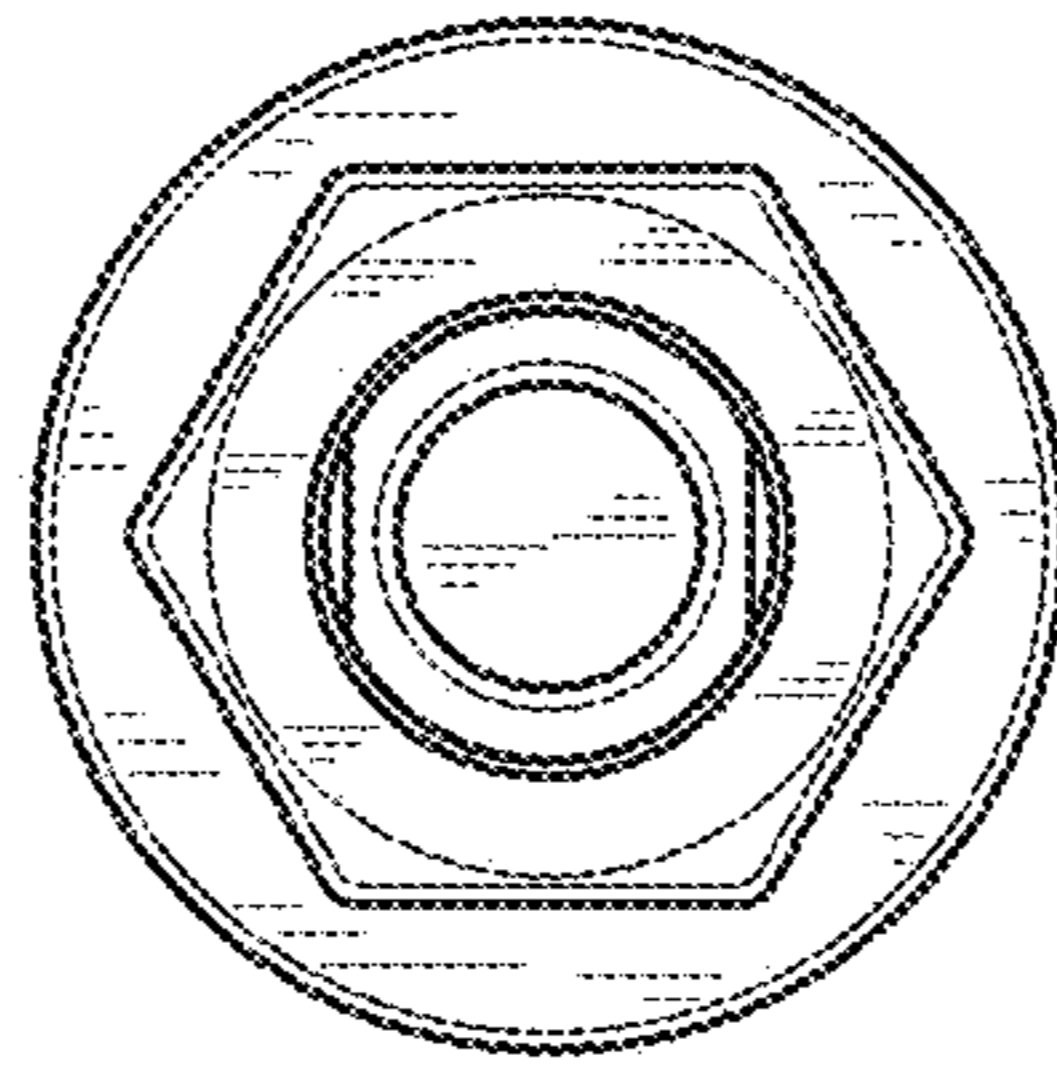


Fig. 7

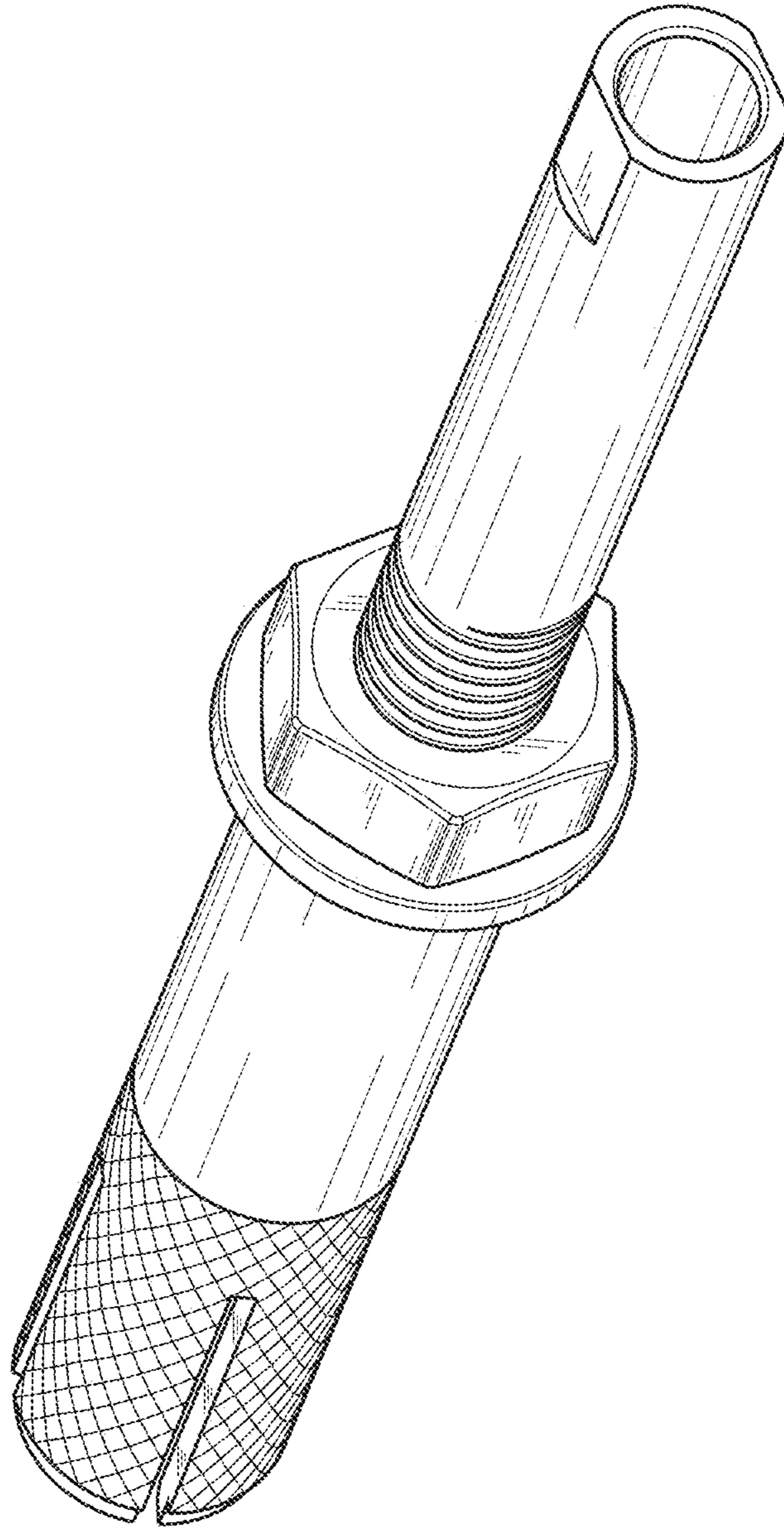


Fig. 8