



US00D984865S

(12) **United States Design Patent** (10) **Patent No.:** **US D984,865 S**  
**Mundhra** (45) **Date of Patent:** **\*\* May 2, 2023**

(54) **KNIFE TROWEL WITH PROBE**

FOREIGN PATENT DOCUMENTS

(71) Applicant: **Siya, Inc.**, Santa Fe Springs, CA (US)

CA 2354947 A1 \* 2/2002 ..... B25G 1/102

(72) Inventor: **Sudhir Mundhra**, Cerritos, CA (US)

OTHER PUBLICATIONS

(73) Assignee: **Siya, Inc.**

Best Garden Trowel Tool Ever Plus Nylon Sheath, Image upload date: Unknown, Image retrieved on: Dec. 4, 2021 (online), <<https://www.nurseryenterprises.com/shop/tools-garden-supplies/best-garden-trowel-tool-ever-plus-nylon-sheath-lesche/>>.\*

(\*\*) Term: **15 Years**

*Primary Examiner* — Sheryl Lane

*Assistant Examiner* — Ieisha N Price

(21) Appl. No.: **29/763,828**

(74) *Attorney, Agent, or Firm* — Pacifica IP

(22) Filed: **Dec. 24, 2020**

(51) **LOC (14) Cl.** ..... **08-01**

(52) **U.S. Cl.**

USPC ..... **D8/10**

(58) **Field of Classification Search**

USPC ..... D8/1, 7, 9, 10, 11, 12; D7/653, 654, D7/691, 401.2; D30/162; D12/532

CPC .... A01B 1/00; A01B 1/02; A01B 1/04; A01B 1/06; A01B 1/08; A01B 1/10; A01B 1/12; A01B 1/14; A01B 1/16; A01B 1/165; A01B 1/18; A01B 1/20; A01B 1/022; A01B 1/024; A01B 1/026; A01B 1/028; A01C 5/02

See application file for complete search history.

(57) **CLAIM**

The ornamental design for a knife trowel with probe, as shown and described.

**DESCRIPTION**

FIG. 1 shows a front perspective view of a knife trowel with probe;  
FIG. 2 shows a top view of the knife trowel with probe of FIG. 1;  
FIG. 3 shows a bottom view of the knife trowel with probe of FIG. 1;  
FIG. 4 shows a left view of the knife trowel with probe of FIG. 1;  
FIG. 5 shows a right view of the knife trowel with probe of FIG. 1;  
FIG. 6 shows a front view of the knife trowel with probe of FIG. 1;  
FIG. 7 shows a rear view of the knife trowel with probe of FIG. 1;  
FIG. 8 shows an exploded view of the knife trowel with probe of FIG. 1;  
FIG. 9 shows a second exploded view of the knife trowel with probe of FIG. 1; and,  
FIG. 10 shows an assembled view of the knife trowel with probe of FIG. 1.

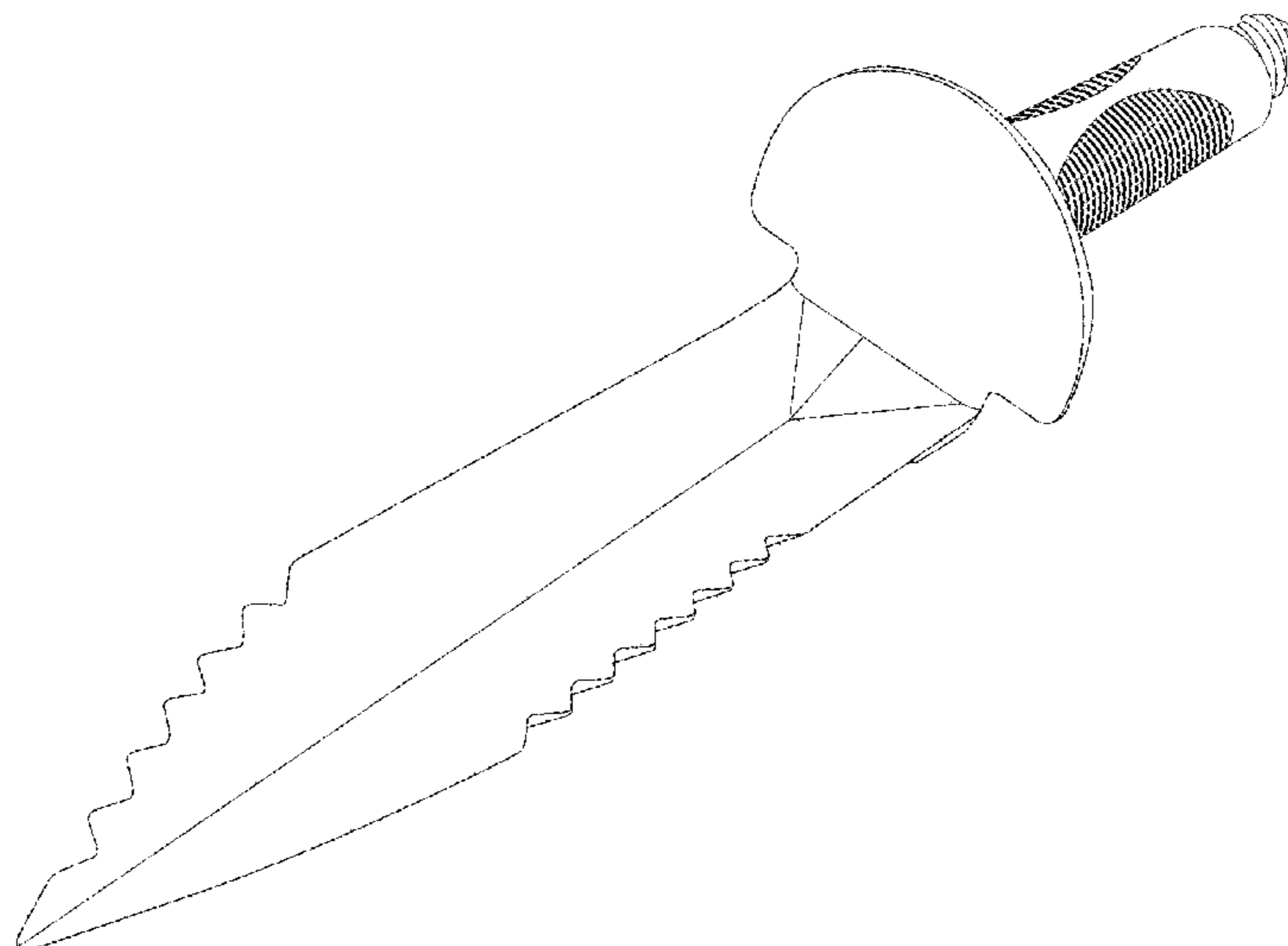
(56) **References Cited**

**U.S. PATENT DOCUMENTS**

- 1,323,980 A \* 12/1919 Hare ..... A01B 1/022 294/51
- 1,713,529 A \* 5/1929 Grant ..... A01G 20/30 294/51
- D153,355 S \* 4/1949 Hippman ..... D8/10
- 2,539,181 A \* 1/1951 Brown ..... A01C 5/02 294/49
- D257,551 S \* 11/1980 Nadle ..... D10/46.2
- D303,484 S \* 9/1989 Stanart ..... D8/10
- D564,313 S \* 3/2008 Baker ..... D8/9
- D564,314 S \* 3/2008 Baker ..... D8/10
- D579,287 S \* 10/2008 Hyp ..... D8/9
- D682,055 S \* 5/2013 Hyp ..... D8/9
- D720,583 S \* 1/2015 Hyp ..... D8/9

(Continued)

**1 Claim, 10 Drawing Sheets**



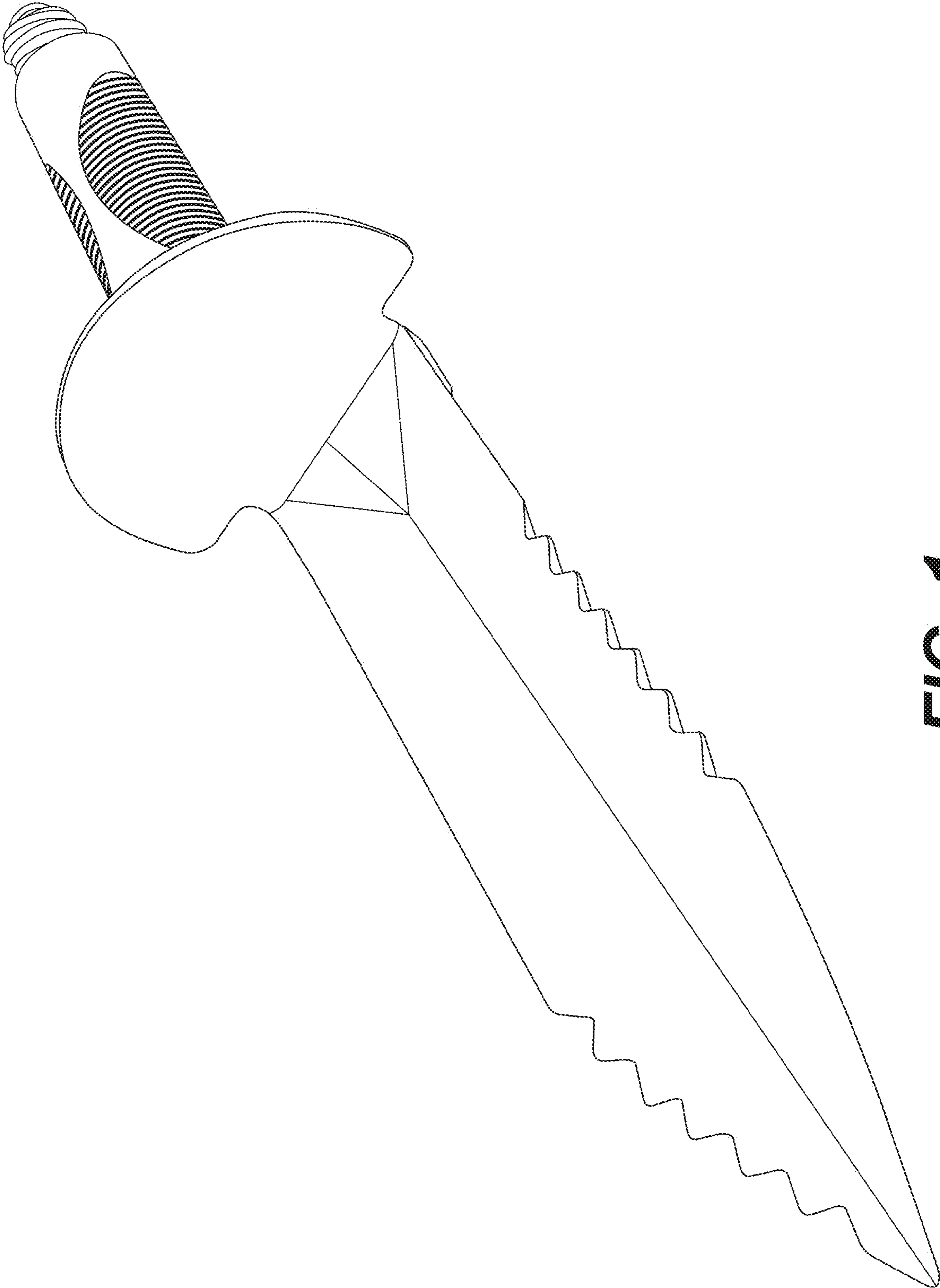
(56)

**References Cited**

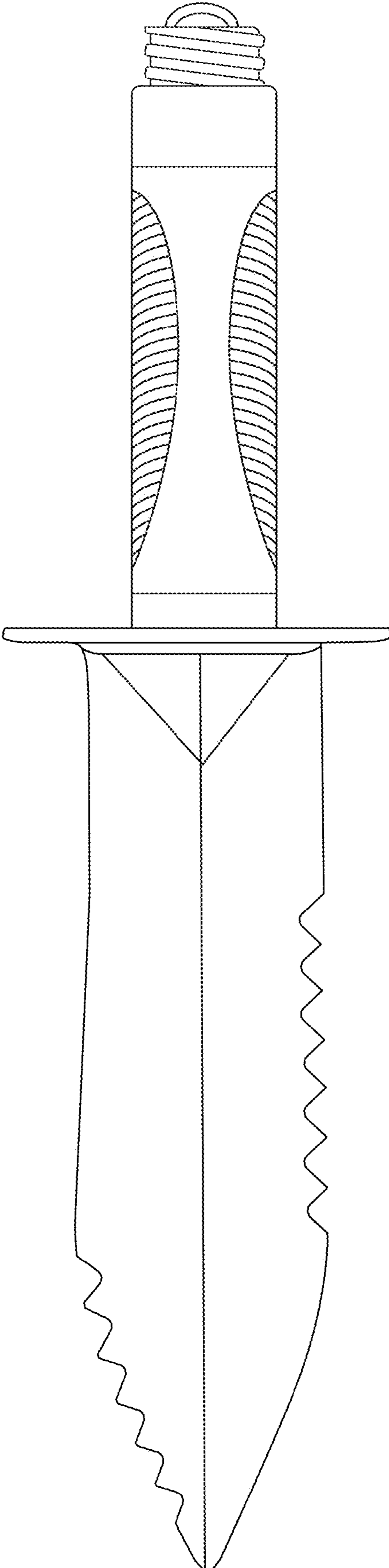
U.S. PATENT DOCUMENTS

D785,746	S *	5/2017	Burton	.....	D22/118
D810,528	S *	2/2018	Baker	.....	D8/11
D846,957	S *	4/2019	Nagrani	.....	D7/650
D875,484	S *	2/2020	Workman	.....	D8/10
D901,263	S *	11/2020	Citron	.....	D8/10
D923,438	S *	6/2021	Vallo	.....	D8/9
2005/0133230	A1 *	6/2005	Sheehan	.....	A01B 1/12 172/378
2011/0080014	A1 *	4/2011	Baker	.....	A01B 1/02 294/51
2014/0173832	A1 *	6/2014	Kim	.....	B26B 9/02 7/156

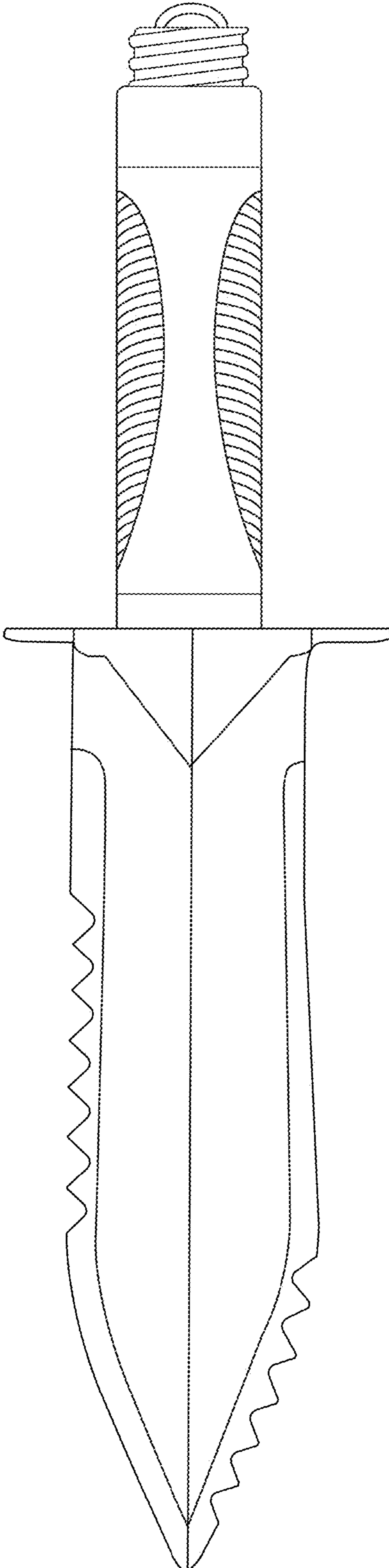
\* cited by examiner



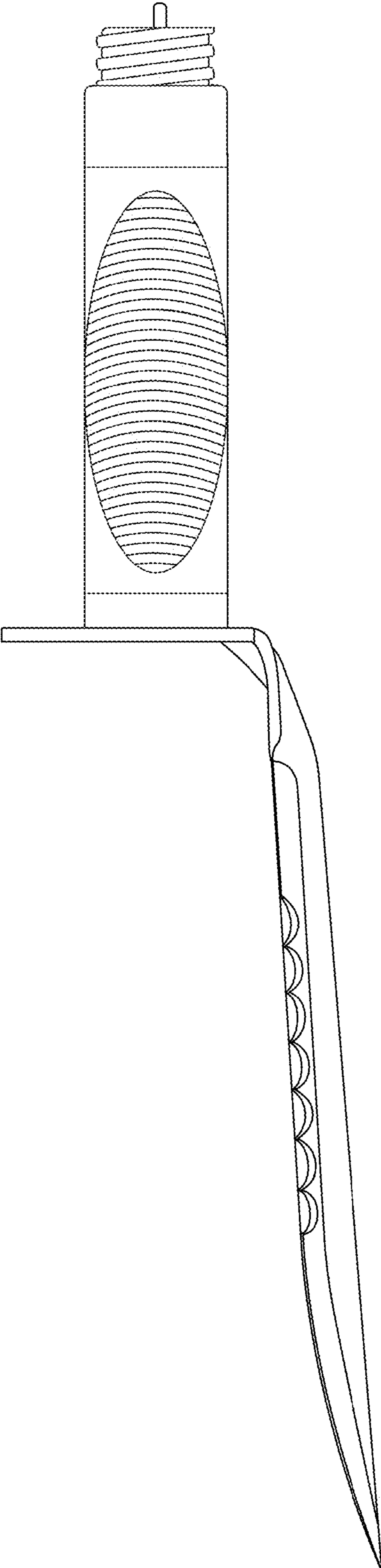
**FIG. 1**



**FIG. 2**



**FIG. 3**



**FIG. 4**

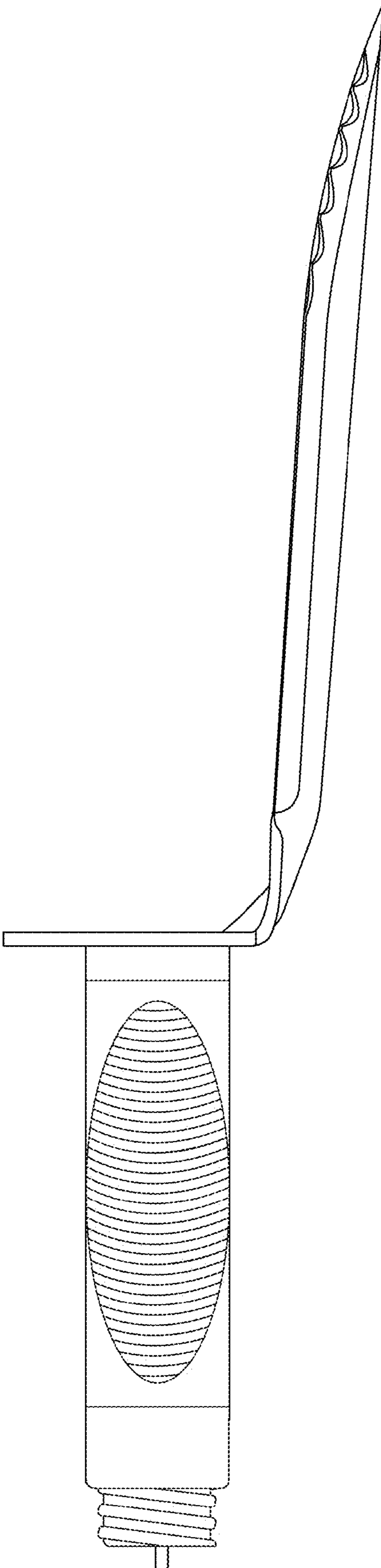
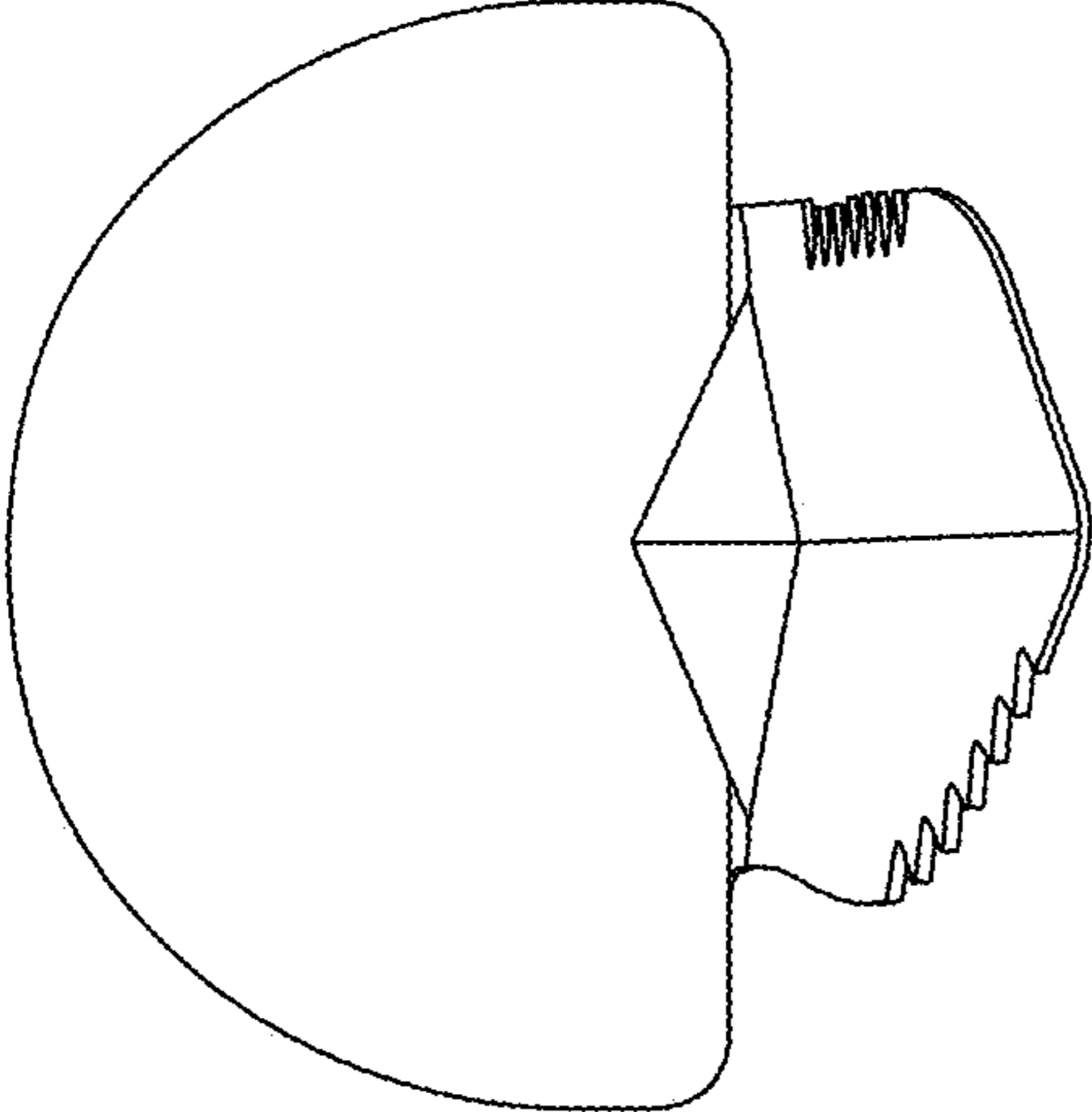
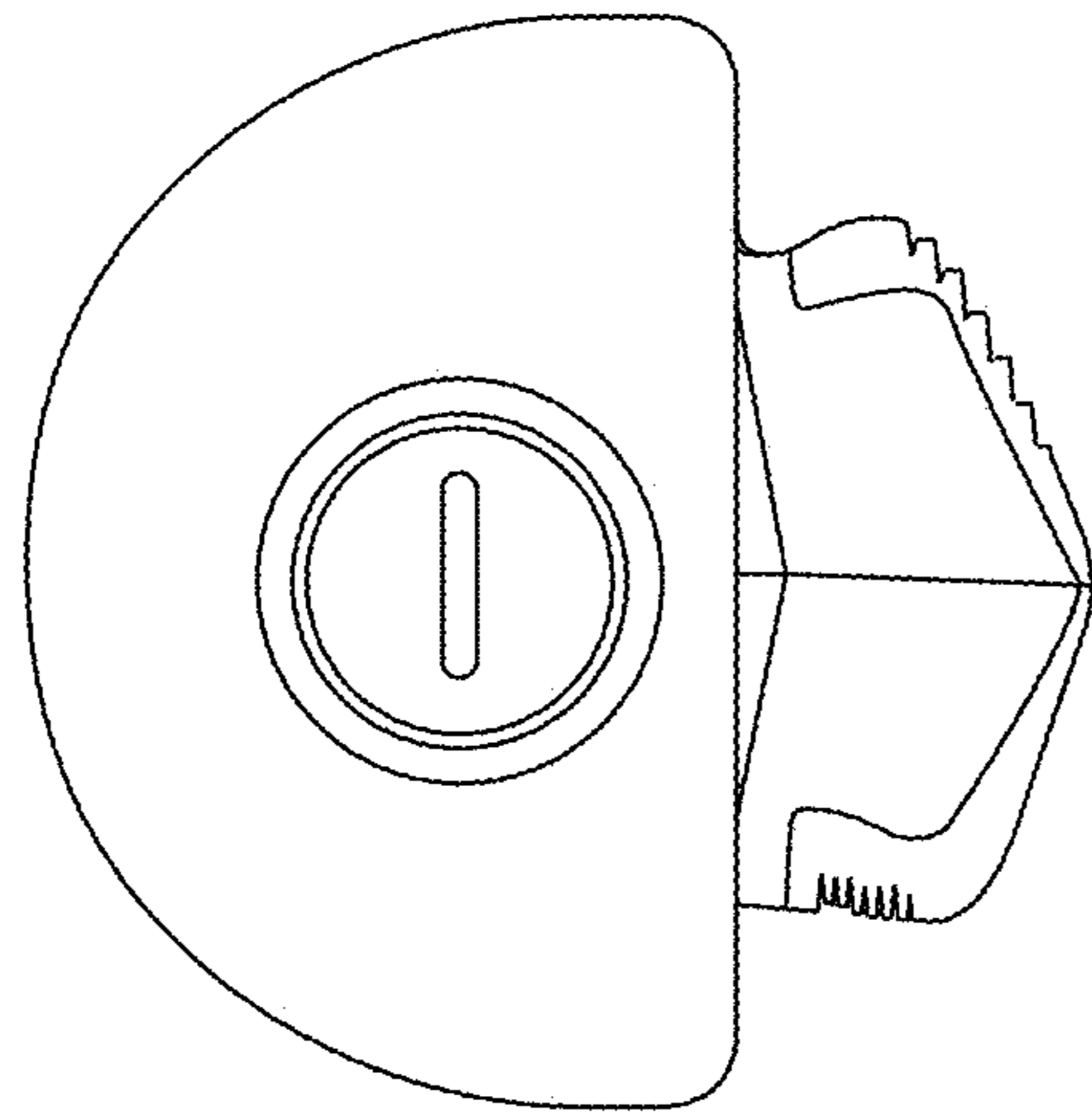


FIG. 5

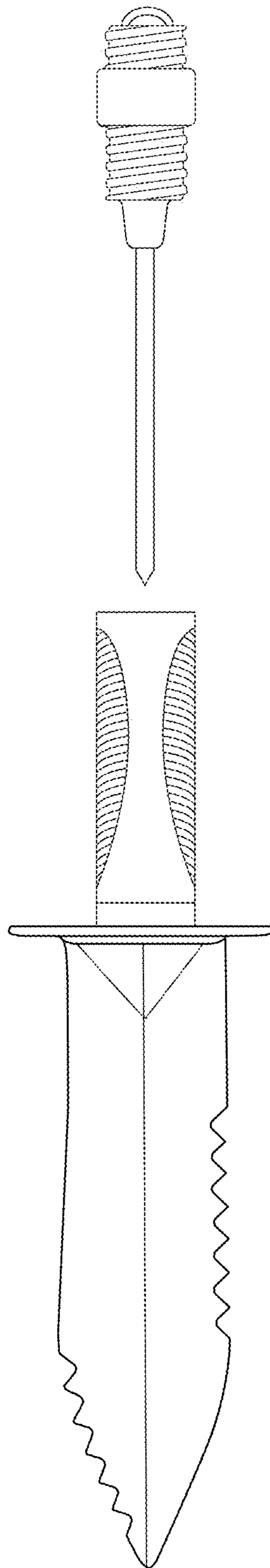


**FIG. 6**

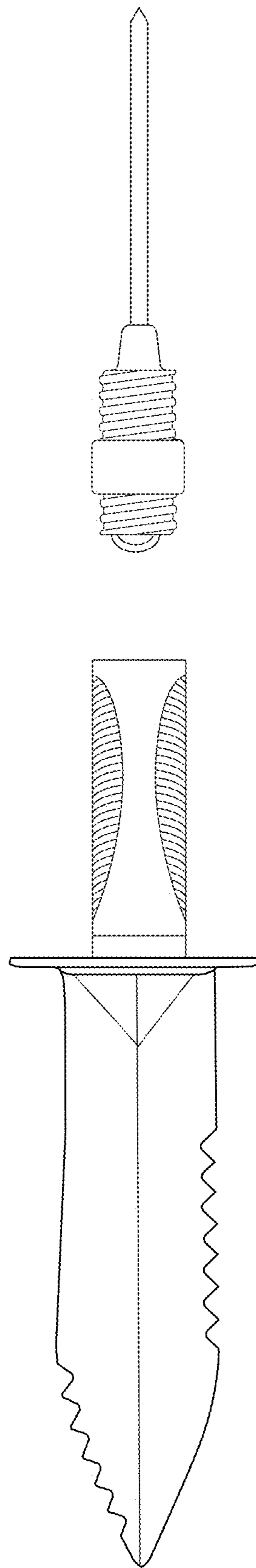




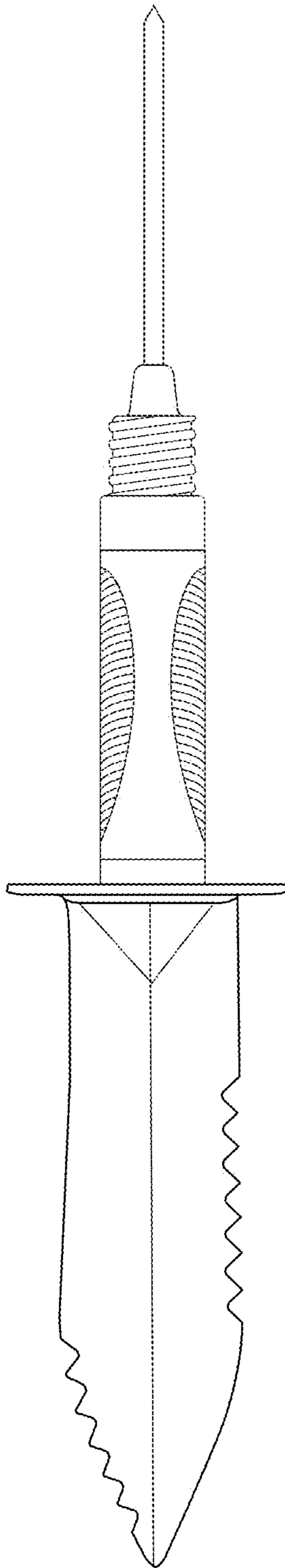
**FIG. 7**



**FIG. 8**



**FIG. 9**



**FIG. 10**