



US00D984864S

(12) **United States Design Patent**  
**Hansen et al.**

(10) **Patent No.: US D984,864 S**  
(45) **Date of Patent: \*\* May 2, 2023**

(54) <b>CUP HOLDER</b>	2,534,680 A * 12/1950 Poirier ..... A47G 23/025 211/205
(71) Applicant: <b>Portus &amp; Navis ApS</b> , Silkeborg (DK)	3,142,425 A * 7/1964 Cobb ..... A47G 23/065 D7/543
(72) Inventors: <b>Andreas Østergaard Hansen</b> , Silkeborg (DK); <b>John Jensen</b> , Silkeborg (DK); <b>Jesper Abildskov</b> <b>Berg</b> , Silkeborg (DK)	3,768,710 A * 10/1973 Eggers ..... A47G 23/0208 294/143
(**) Term: <b>15 Years</b>	5,074,421 A * 12/1991 Coulter ..... A47F 5/02 211/163
(21) Appl. No.: <b>35/514,334</b>	D398,482 S * 9/1998 Wang ..... D7/706
(22) Filed: <b>Apr. 4, 2022</b>	D494,429 S * 8/2004 Tuite ..... D7/701
	D760,032 S * 6/2016 Thompson ..... D7/600.4
	D760,559 S * 7/2016 Chu ..... D7/701
	D880,261 S * 4/2020 Stewart ..... D7/707
	2012/0031806 A1 * 2/2012 Riley ..... A47G 23/0208 206/563

(80) **Hague Agreement Data**

Int. Filing Date: **Apr. 4, 2022**  
Int. Reg. No.: **DM/220722**  
Int. Reg. Date: **Apr. 4, 2022**  
Int. Reg. Pub. Date: **May 20, 2022**

FOREIGN PATENT DOCUMENTS

GB 260419 A \* 11/1926

\* cited by examiner

*Primary Examiner* — Terry A Wallace

(51) **LOC (14) Cl.** ..... **07-09**

(52) **U.S. Cl.**  
USPC ..... **D7/701**

(57) **CLAIM**

(58) **Field of Classification Search**  
USPC ..... D7/701-708; D12/419, 420, 317  
CPC .. B60N 3/00; B60N 3/10; B60N 3/105; A47F  
7/0064; A47G 23/00; A47G 23/02; A47G  
23/0208; A47G 23/0225

The ornamental design for a cup holder, as shown and described.

See application file for complete search history.

**DESCRIPTION**

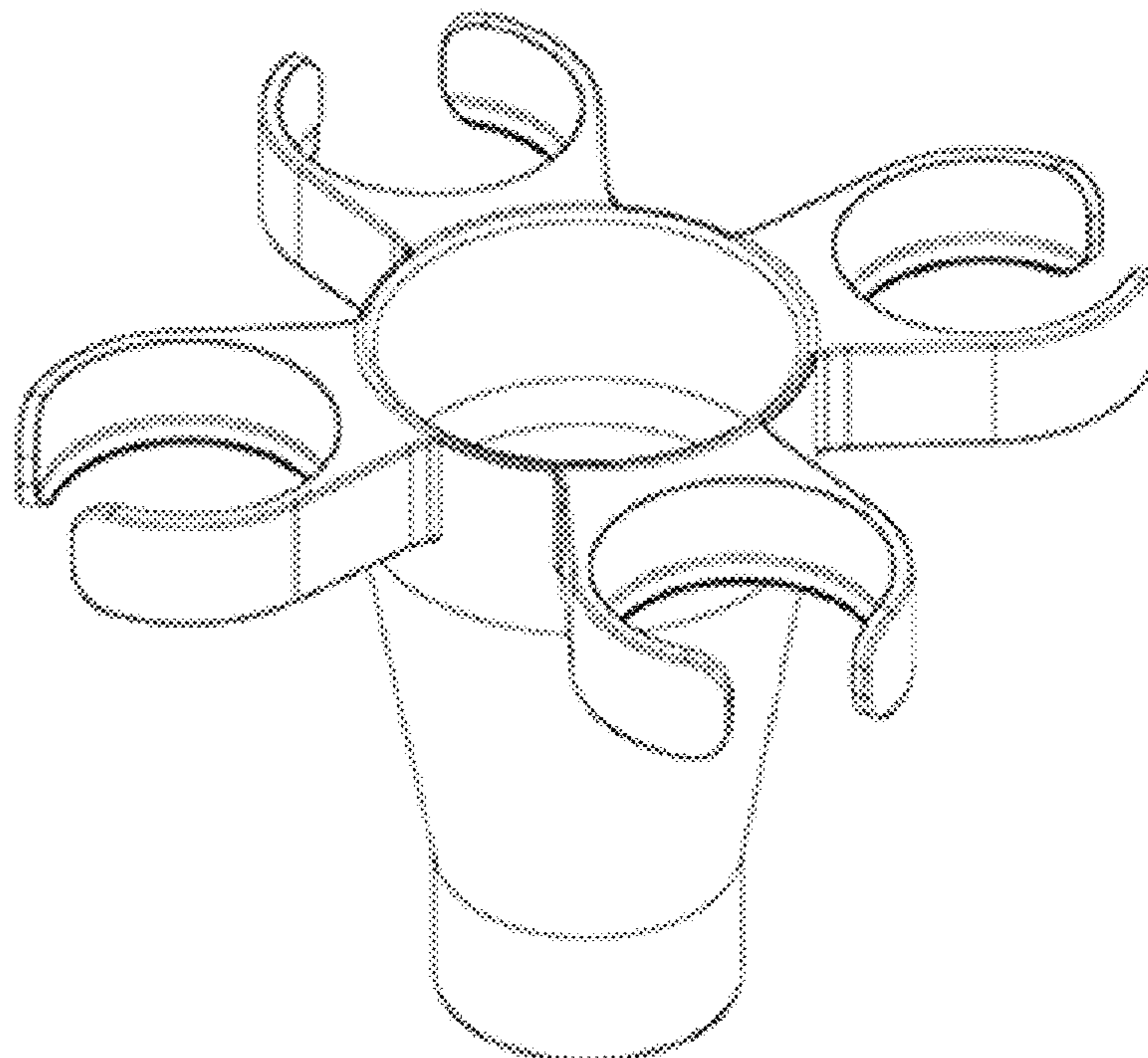
(56) **References Cited**

U.S. PATENT DOCUMENTS

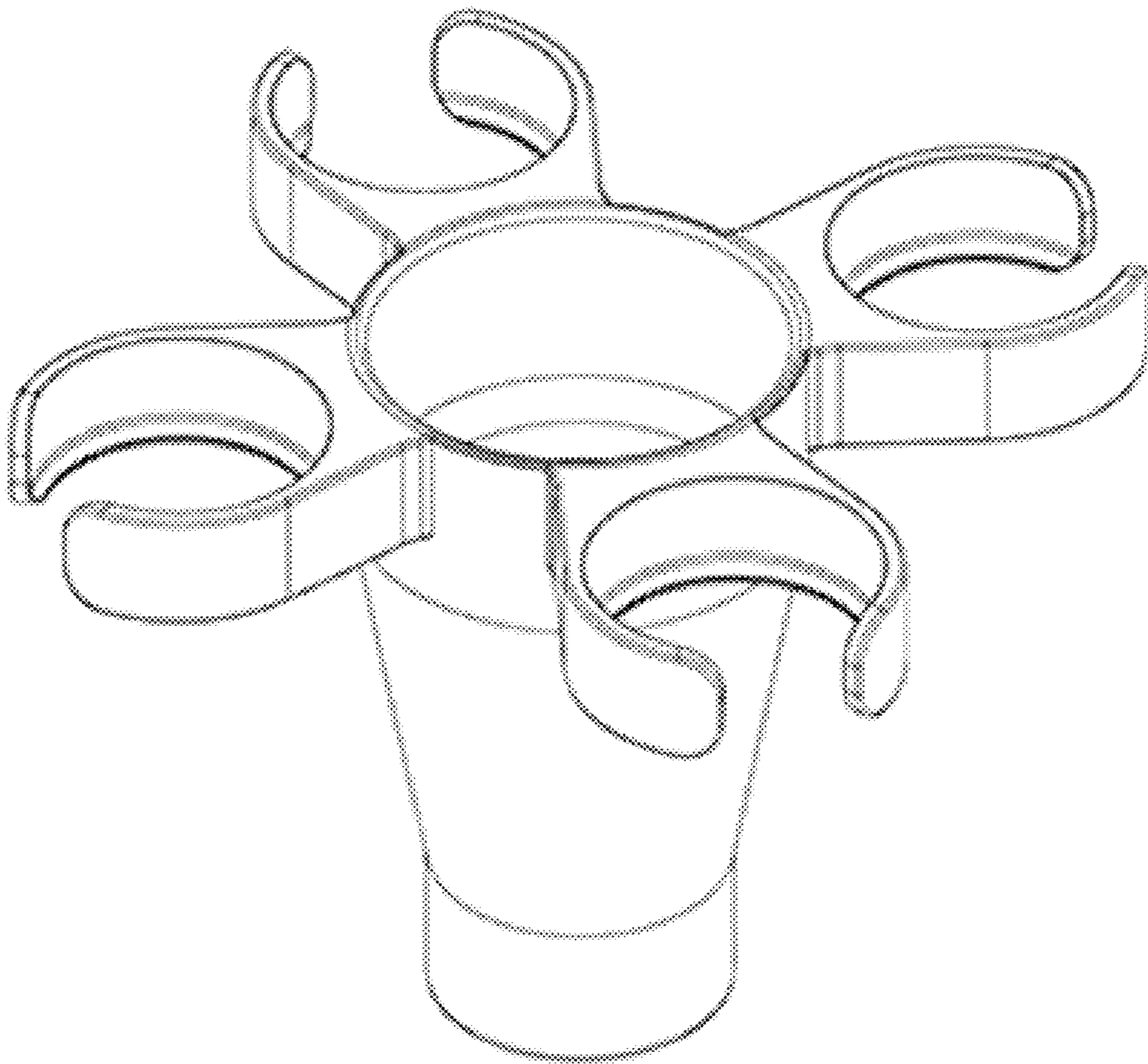
1,778,425 A \* 10/1930 Maddocks ..... A47G 23/065  
294/159  
1,884,970 A \* 10/1932 Davis ..... A47G 23/065  
D7/706

- 1. Cup holder
- 1.1 : Perspective
- 1.2 : Left
- 1.3 : Bottom
- 1.4 : Top
- 1.5 : Exploded

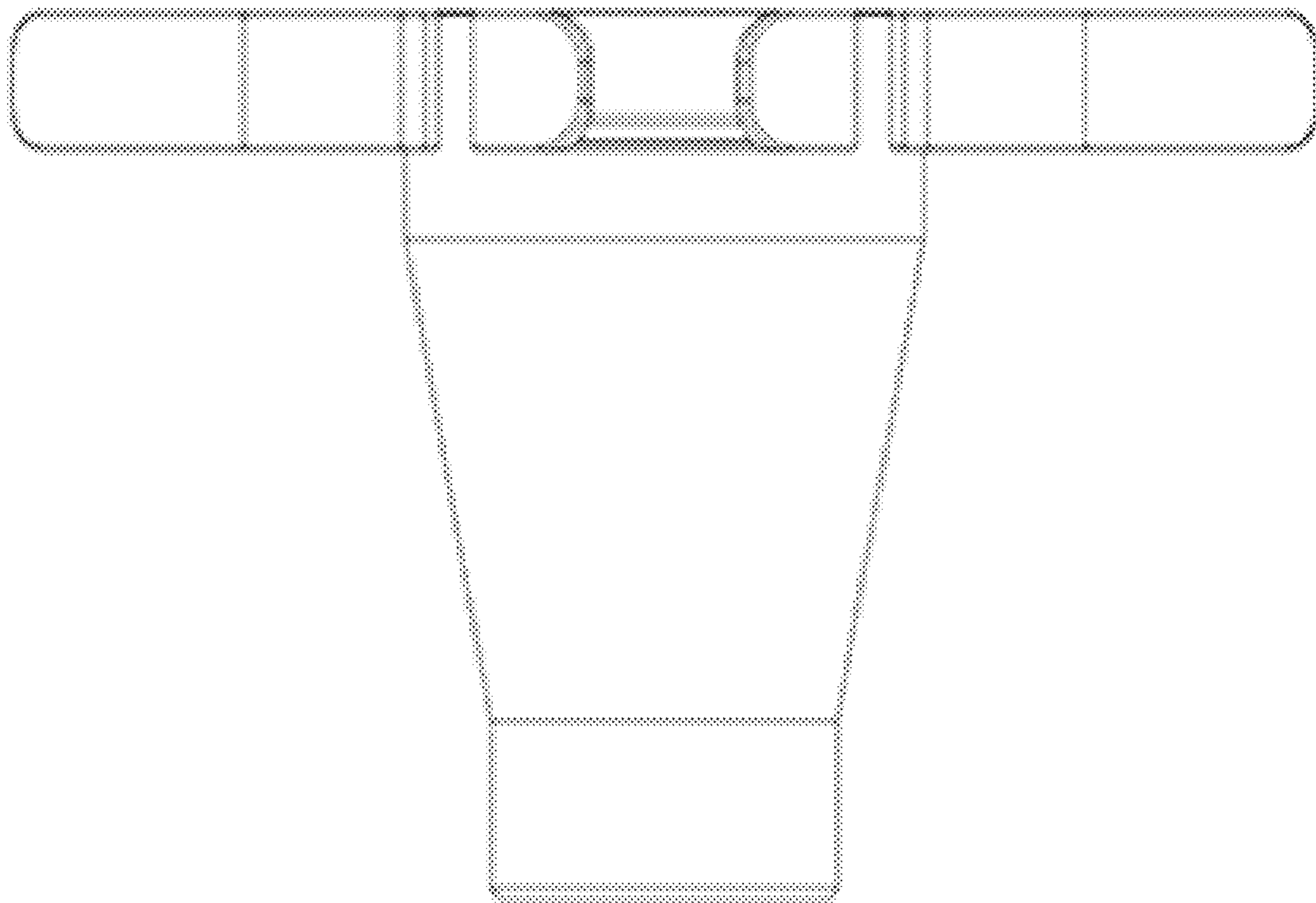
**1 Claim, 5 Drawing Sheets**



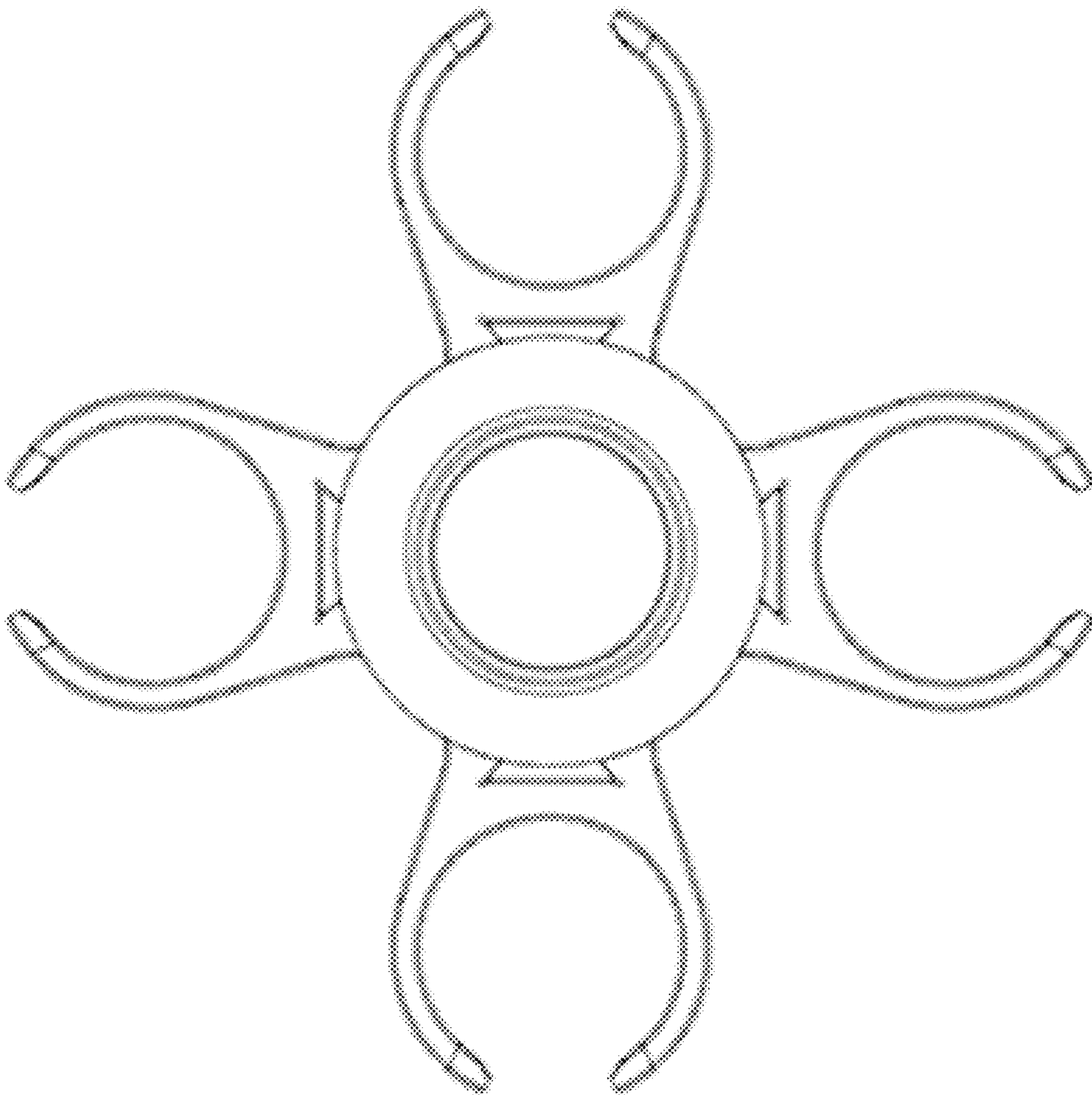
# 1.1



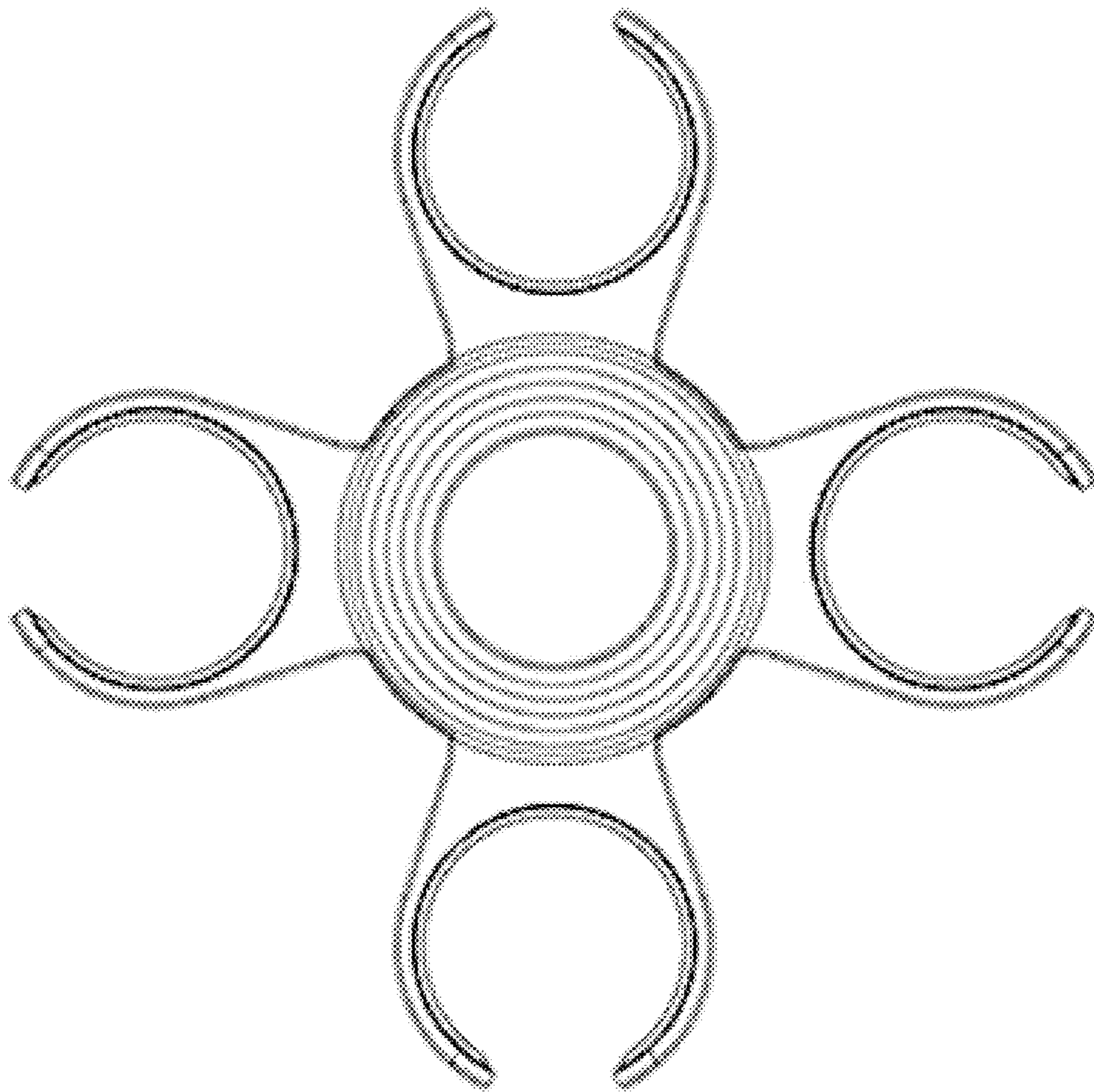
# 1.2



**1.3**



**1.4**



**1.5**

