



US00D984863S

(12) **United States Design Patent** (10) **Patent No.:** **US D984,863 S**
Dai (45) **Date of Patent:** **** May 2, 2023**

(54) **STACKABLE TRAY**
(71) Applicant: **ShenZhen YiHong Technology Co., LTD, Guangdong (CN)**
(72) Inventor: **Yi Dai, ShenZhen (CN)**
(73) Assignee: **ShenZhen YiHong Technology CO., LTD, Shenzhen (CN)**

D336,408 S 6/1993 Tersch et al.
5,370,245 A 12/1994 Tersch et al.
D421,370 S * 3/2000 Hints D7/701
D424,892 S * 5/2000 Ribet D7/701
D446,092 S * 8/2001 Cautereels D7/701
D479,786 S * 9/2003 Matheou D7/701
7,004,336 B2 2/2006 Dagan
D569,655 S * 5/2008 Williams D6/682.2

(Continued)

(**) Term: **15 Years**
(21) Appl. No.: **29/883,191**
(22) Filed: **Jan. 25, 2023**
(51) **LOC (14) Cl.** **07-09**
(52) **U.S. Cl.**
USPC **D7/701**
(58) **Field of Classification Search**
USPC D7/387, 550.1, 552.2, 553.1, 553.2,
D7/554.1, 554.3, 554.4, 555, 557, 584,
D7/587, 600.1, 600.3, 600.4, 601, 602,
D7/619.1, 619.2, 630, 701, 707, 708;
D3/202, 304, 313; D6/513, 514, 567,
D6/574, 675, 675.1; D15/89
CPC A47B 47/04; A47B 47/042; A47B 47/045;
A47B 47/047; A47B 73/00; A47B
73/002; A47B 73/004; A47B 73/006;
A47B 73/008; A47B 81/007; A47B
87/0207; A47F 7/28; A47F 7/283; A47G
23/02; A47G 23/0241; A47G 23/0266;
A47J 47/16; F25D 31/007; F25D
2331/803

See application file for complete search history.

(56) **References Cited**

U.S. PATENT DOCUMENTS

D222,151 S * 10/1971 Majewski 211/74
4,660,727 A * 4/1987 Levine A47B 73/006
211/74
D289,716 S * 5/1987 Boland, II D7/701
D300,293 S * 3/1989 Casey D7/708

OTHER PUBLICATIONS

Lifewit Stackable Water Bottle Organizer for Cabinet, first available Jul. 15, 2022, Amazon, [online], [site visited Mar. 13, 2023], Available from internet URL: <https://www.amazon.com/dp/B0B212VJY5> (Year: 2022).*

(Continued)

Primary Examiner — Catherine Ho
Assistant Examiner — Natalya M Rapundalo
(74) *Attorney, Agent, or Firm* — iPA & iPM

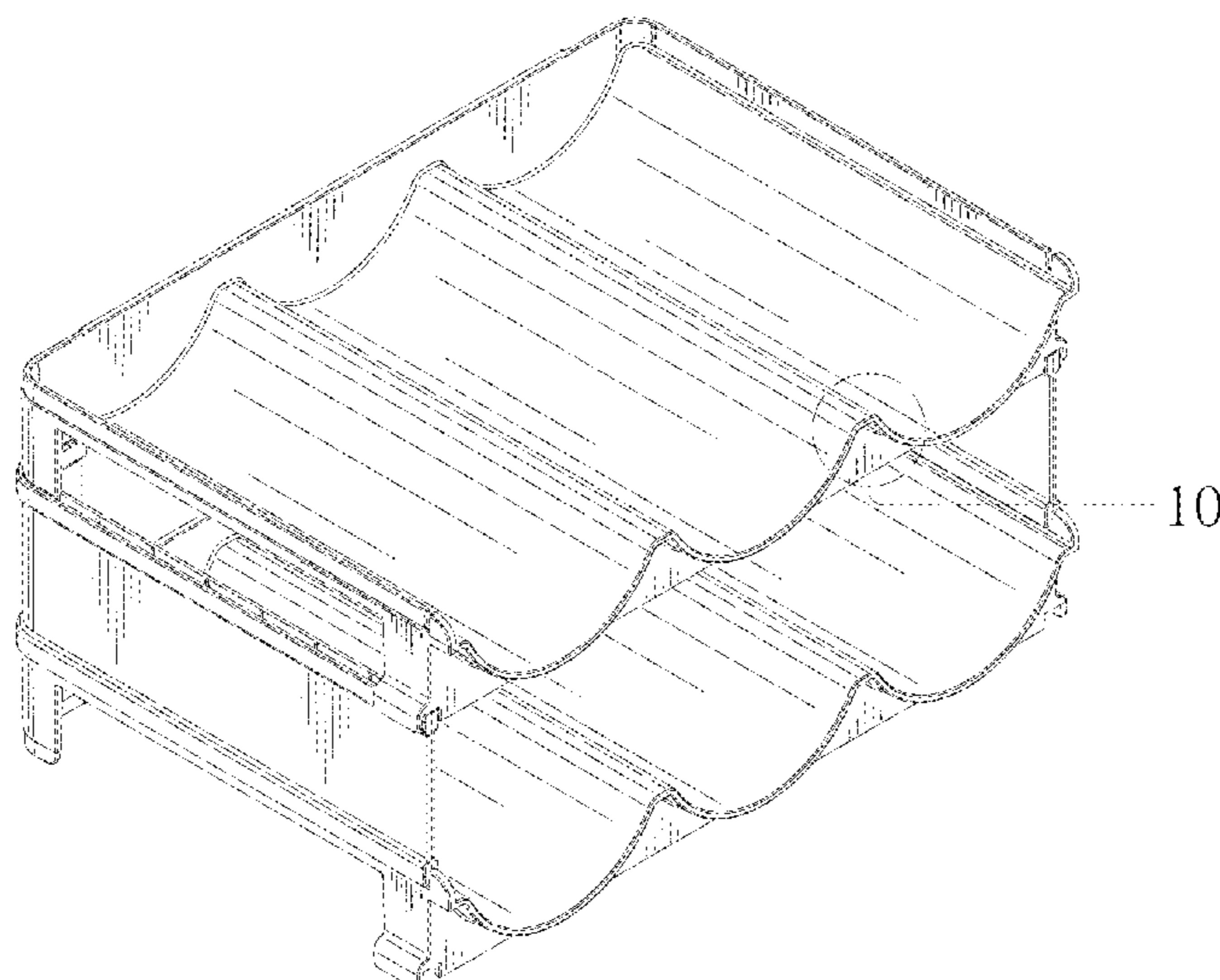
(57) **CLAIM**

The ornamental design for a stackable tray, as shown and described.

DESCRIPTION

FIG. 1 is an exploded perspective view of a stackable tray showing my new design;
FIG. 2 is a top front perspective view of the stackable tray shown in an assembled configuration;
FIG. 3 is a bottom back perspective view thereof;
FIG. 4 is a front view thereof;
FIG. 5 is a back view thereof;
FIG. 6 is a left side view thereof;
FIG. 7 is a right side view thereof;
FIG. 8 is a top view thereof;
FIG. 9 is a bottom view thereof; and,
FIG. 10 is an enlarged detailed view of the encircled area 10 shown in FIG. 2.

1 Claim, 7 Drawing Sheets



(56)

References Cited

U.S. PATENT DOCUMENTS

D594,294 S * 6/2009 Hamblin A47B 73/006
D7/707
D627,612 S * 11/2010 Falk D7/619.1
D661,556 S * 6/2012 Warner D7/708
8,714,373 B2 5/2014 Danehy
D746,643 S 1/2016 Kraemer
D751,125 S * 3/2016 Kim D15/89
9,586,803 B1 3/2017 Snyker
D796,344 S 9/2017 Paulick
10,051,979 B2 8/2018 Kuo
D839,694 S 2/2019 Pollard
D848,152 S 5/2019 Martínez Layseca et al.
D921,454 S * 6/2021 Kakkar D7/701
D942,229 S * 2/2022 Kraemer D15/89
D965,397 S 10/2022 Dai
D970,315 S 11/2022 Kraemer
D974,860 S * 1/2023 Ramirez D7/701
D977,317 S * 2/2023 Hong D15/89
2005/0269277 A1 12/2005 Su
2013/0008864 A1 1/2013 Davis et al.

OTHER PUBLICATIONS

Greenkyf Water Bottle Organizer, first available Oct. 18, 2022, Amazon, [online], [site visited Mar. 13, 2023], Available from internet URL: <https://www.amazon.com/GREENKYF-Organizer-Stackable-Storage-Countertop/dp/B0BWNJM3BX> (Year: 2022).*

Aimacro Water Bottle Organizer for Cabinet, first available Feb. 2, 2023, Amazon, [online], [site visited Mar. 13, 2023], Available from internet URL: <https://www.amazon.com/dp/B0BQDQ77QH> (Year: 2023).*

* cited by examiner

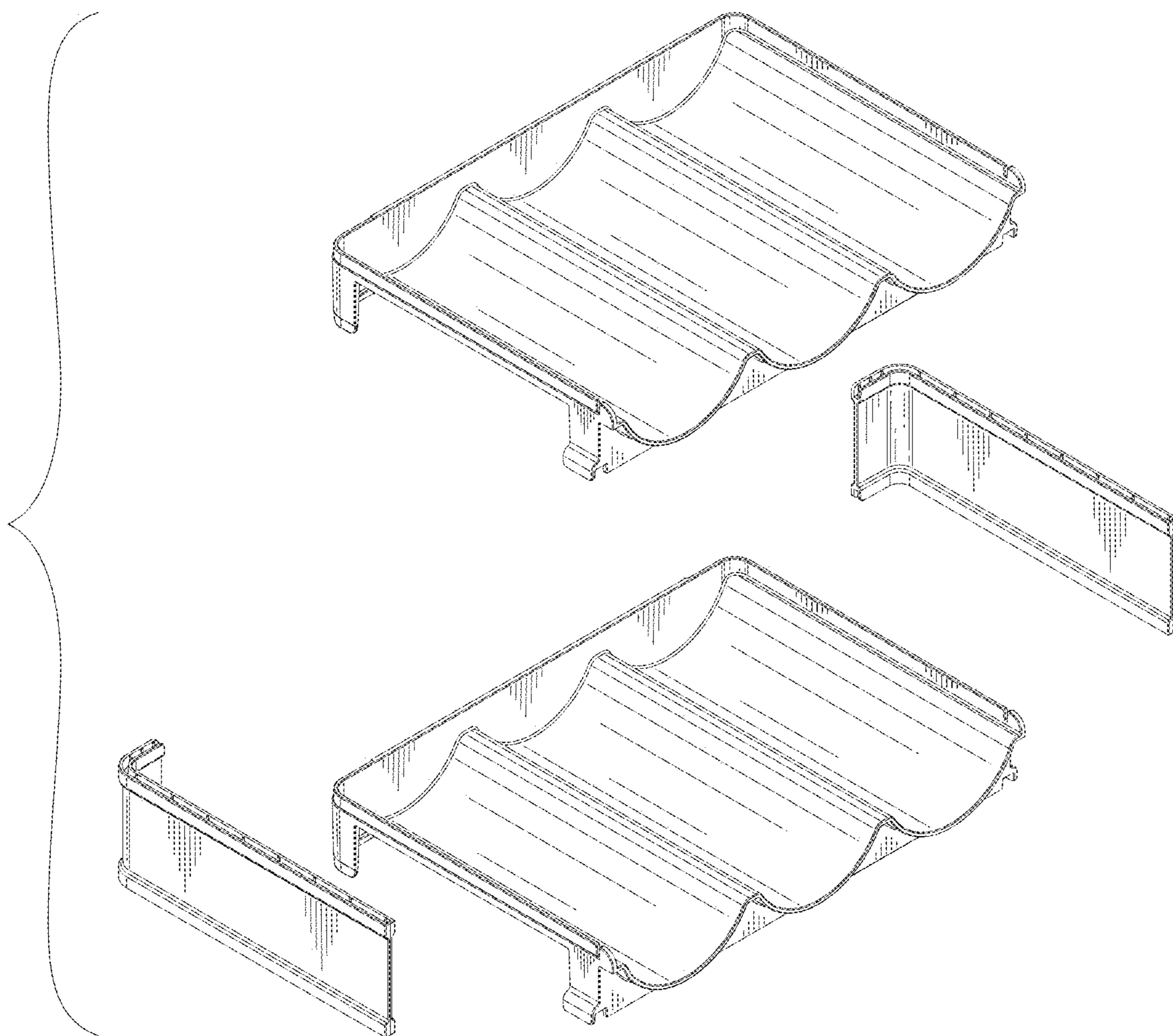


FIG. 1

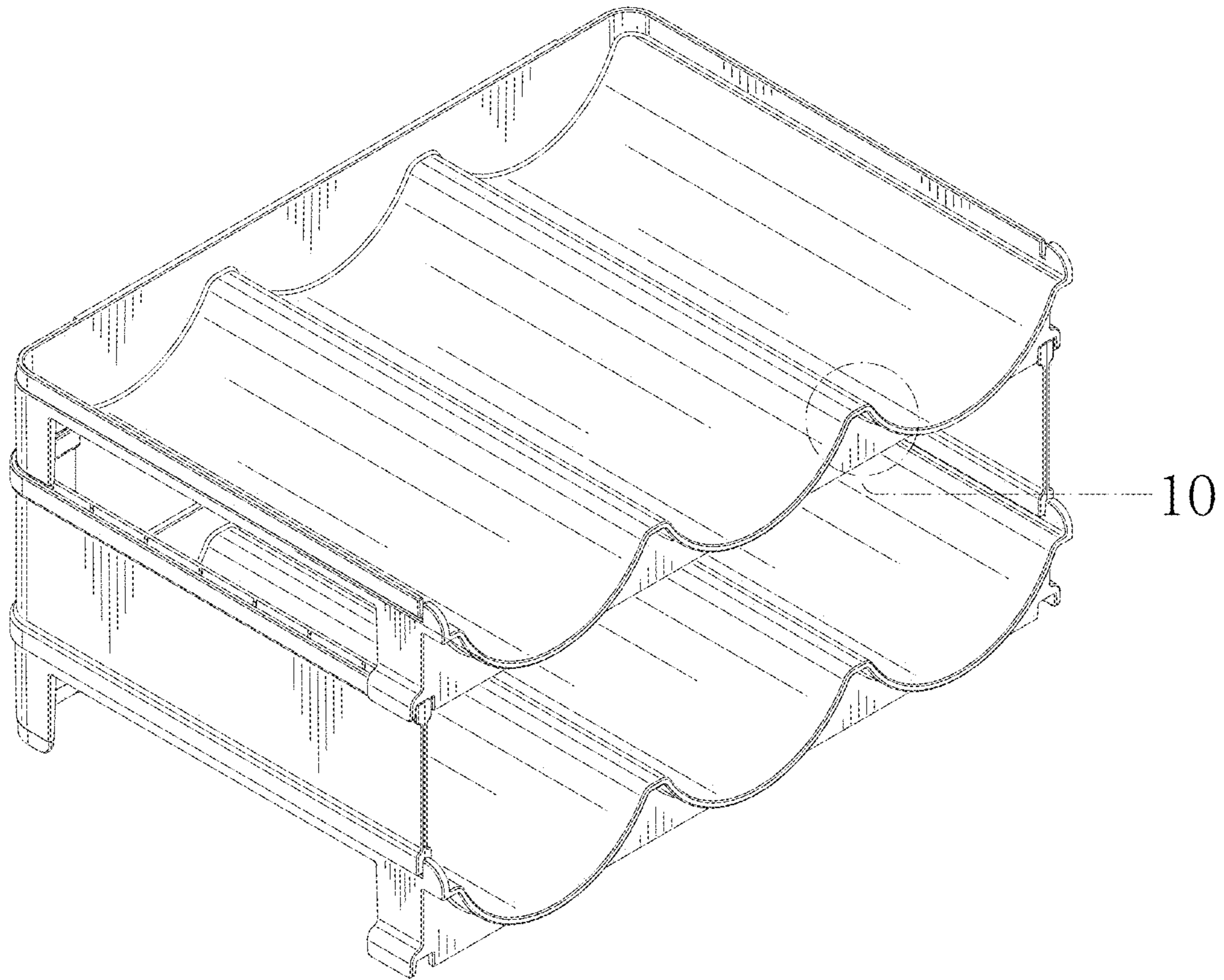


FIG. 2

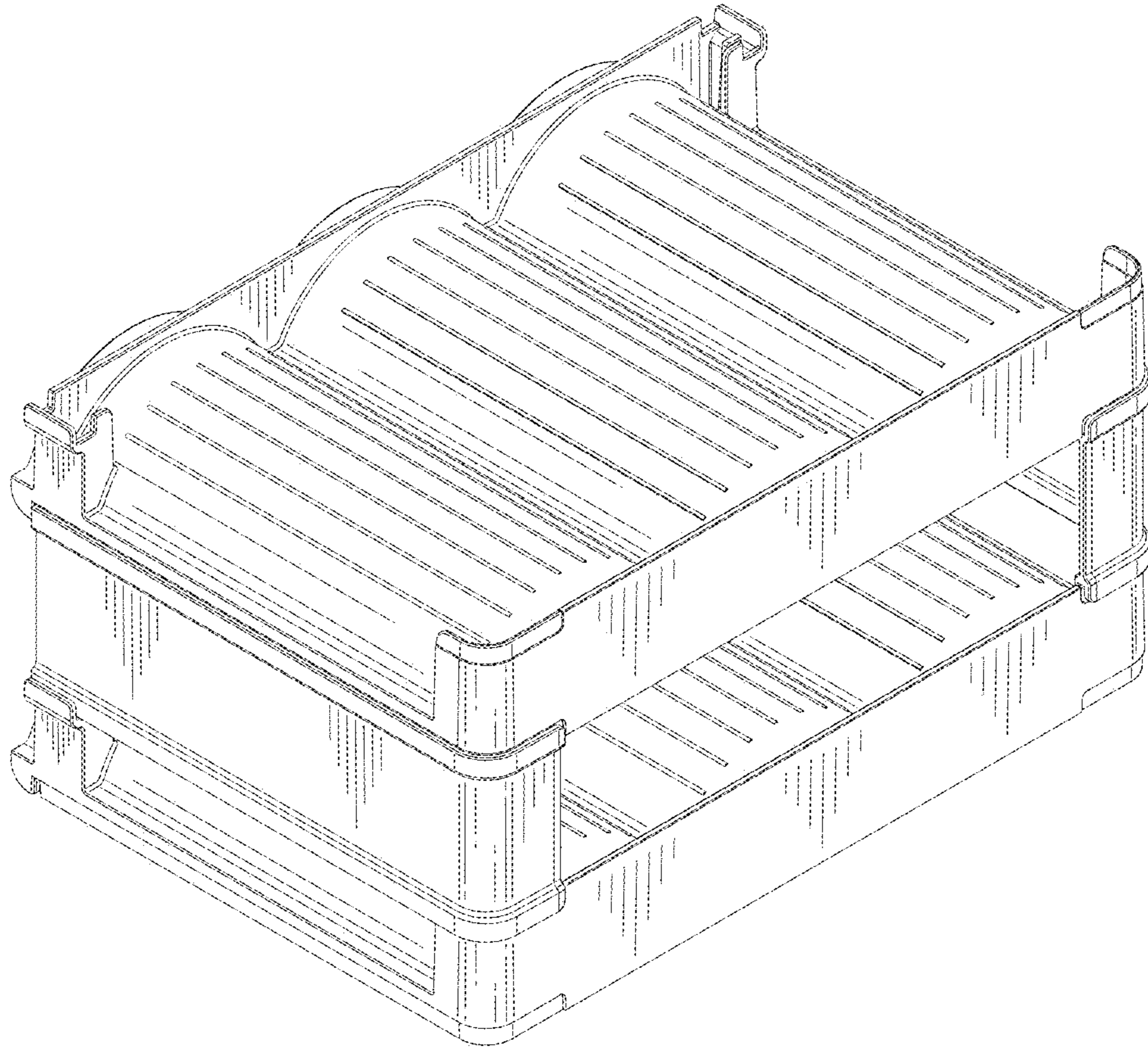


FIG. 3

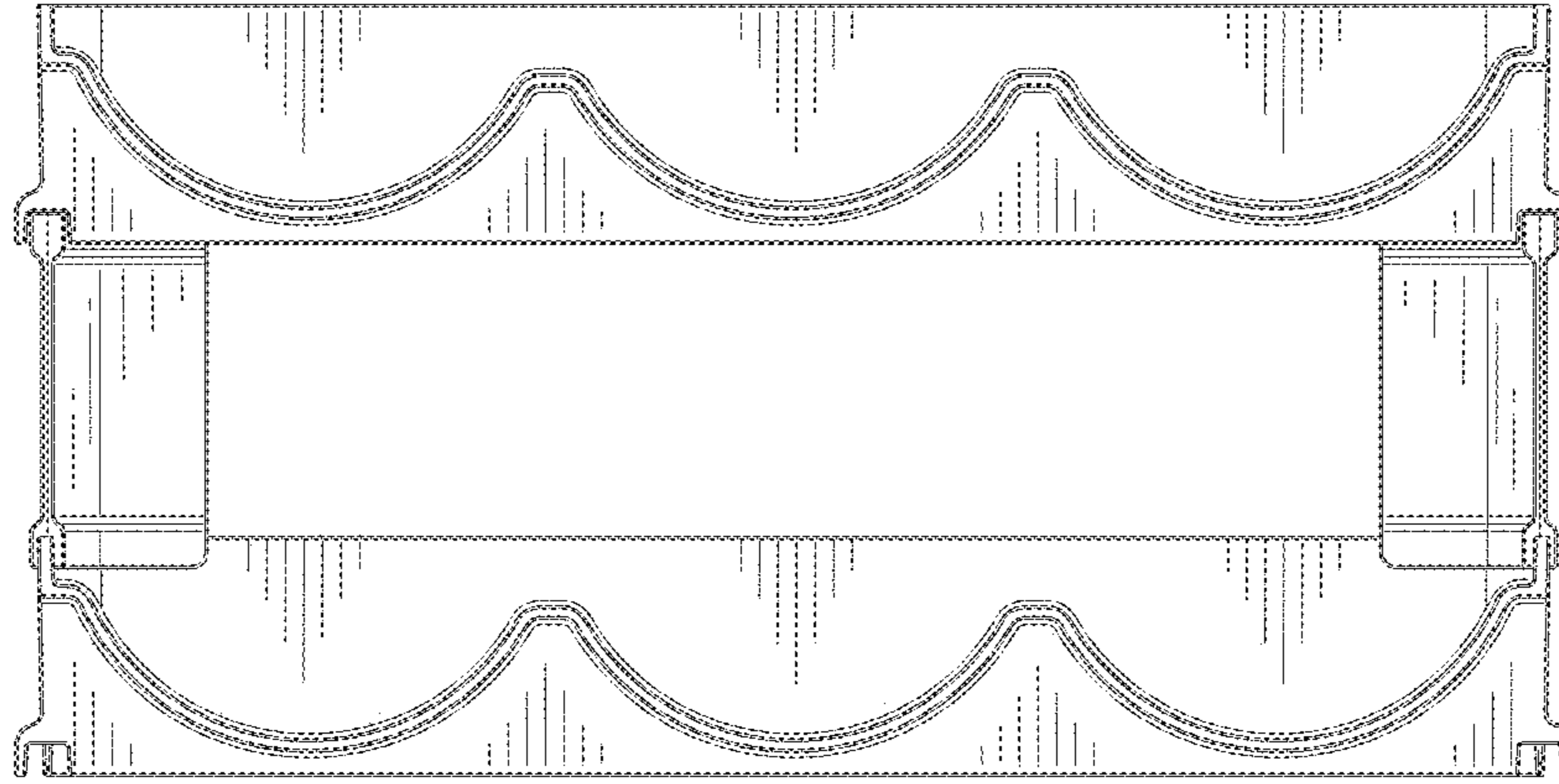


FIG. 4

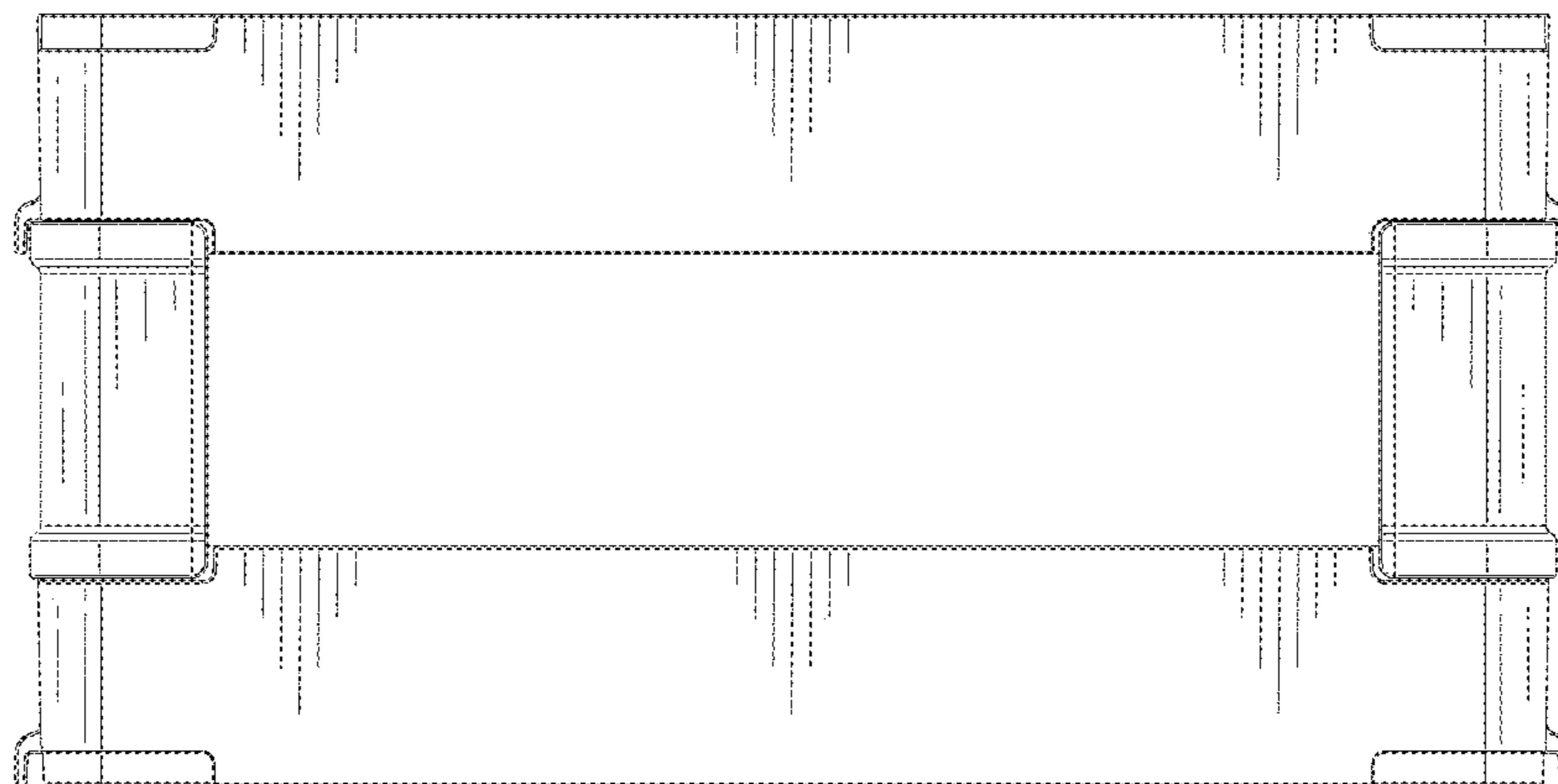


FIG. 5

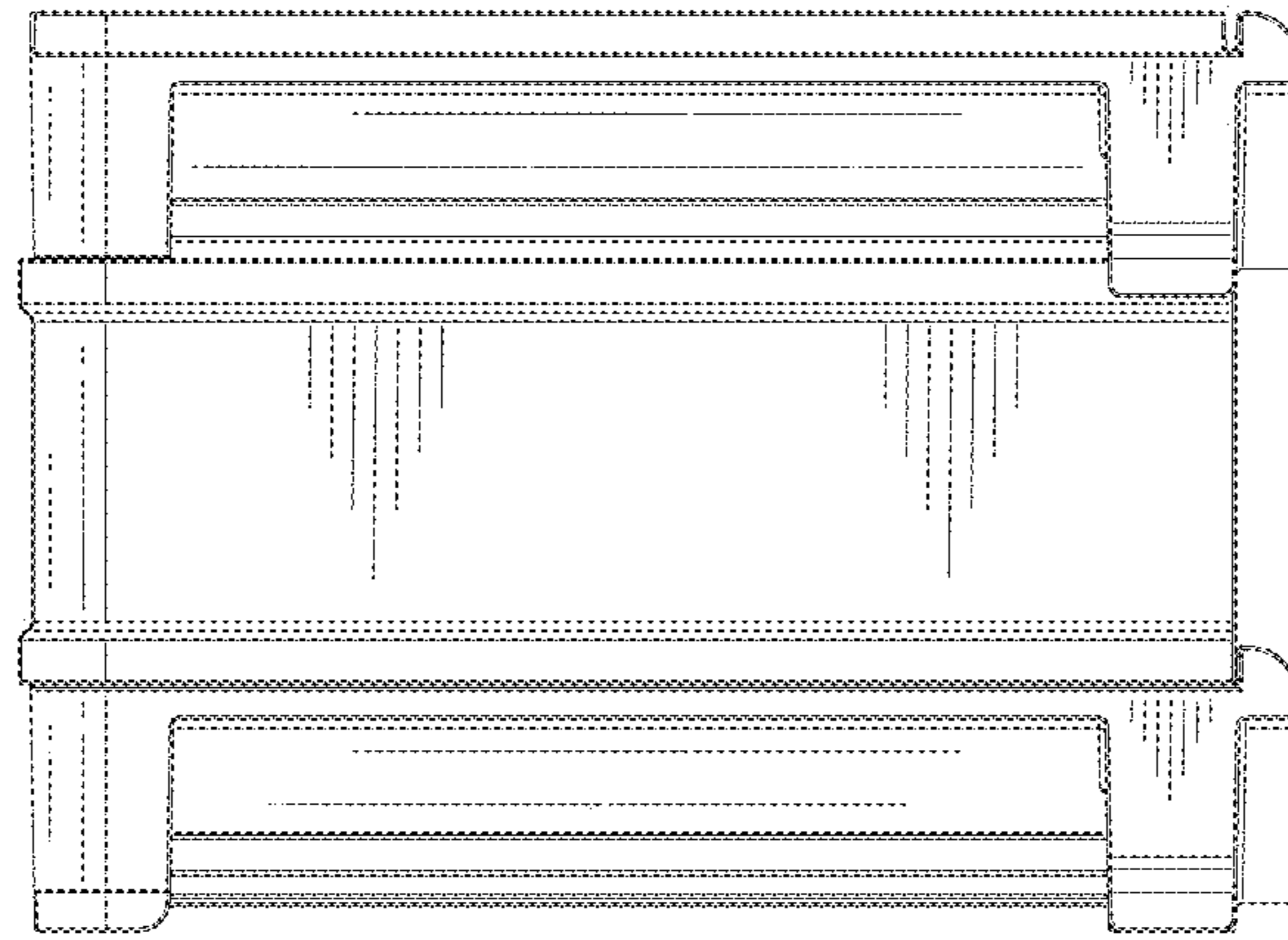


FIG. 6

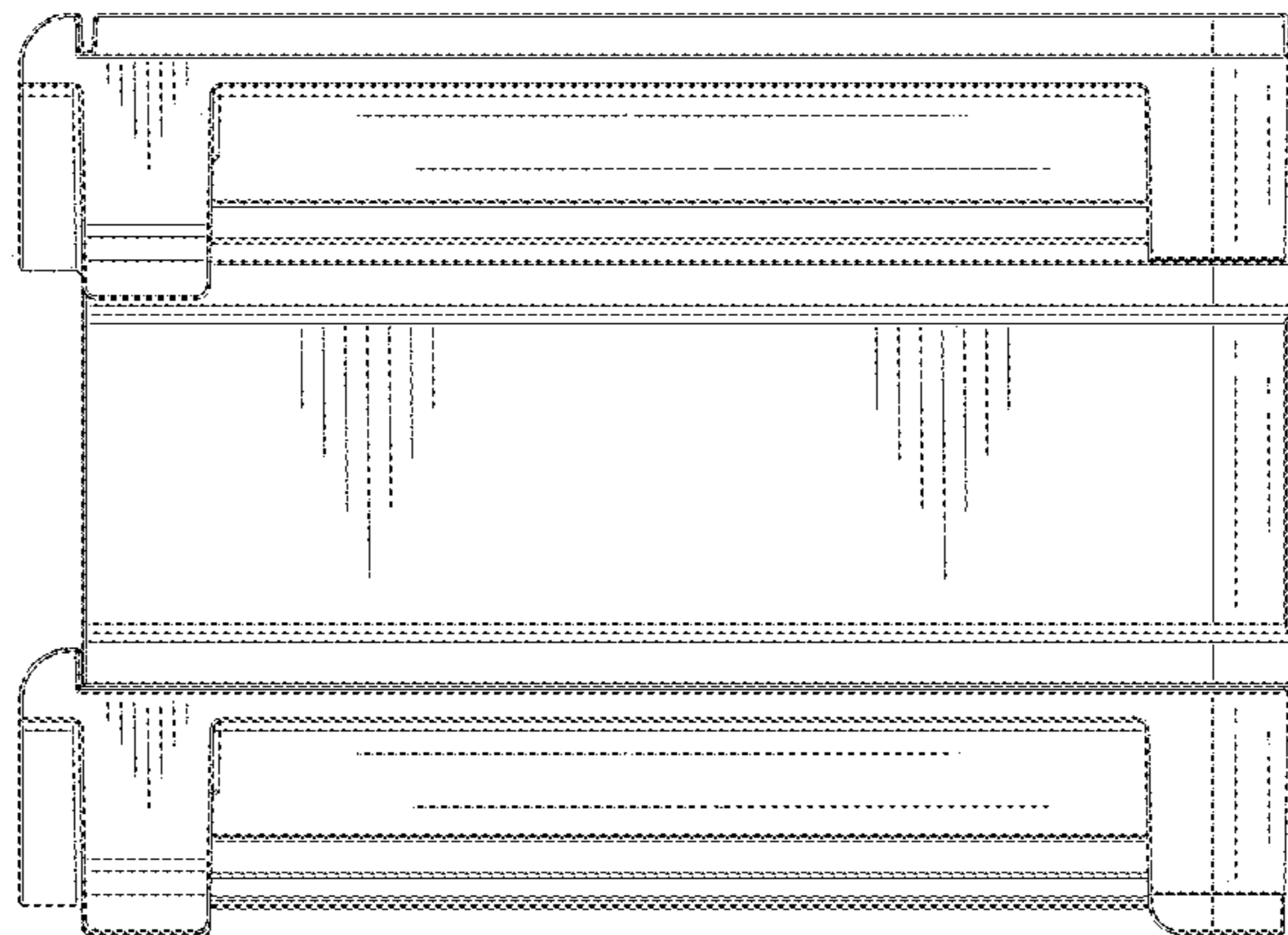


FIG. 7

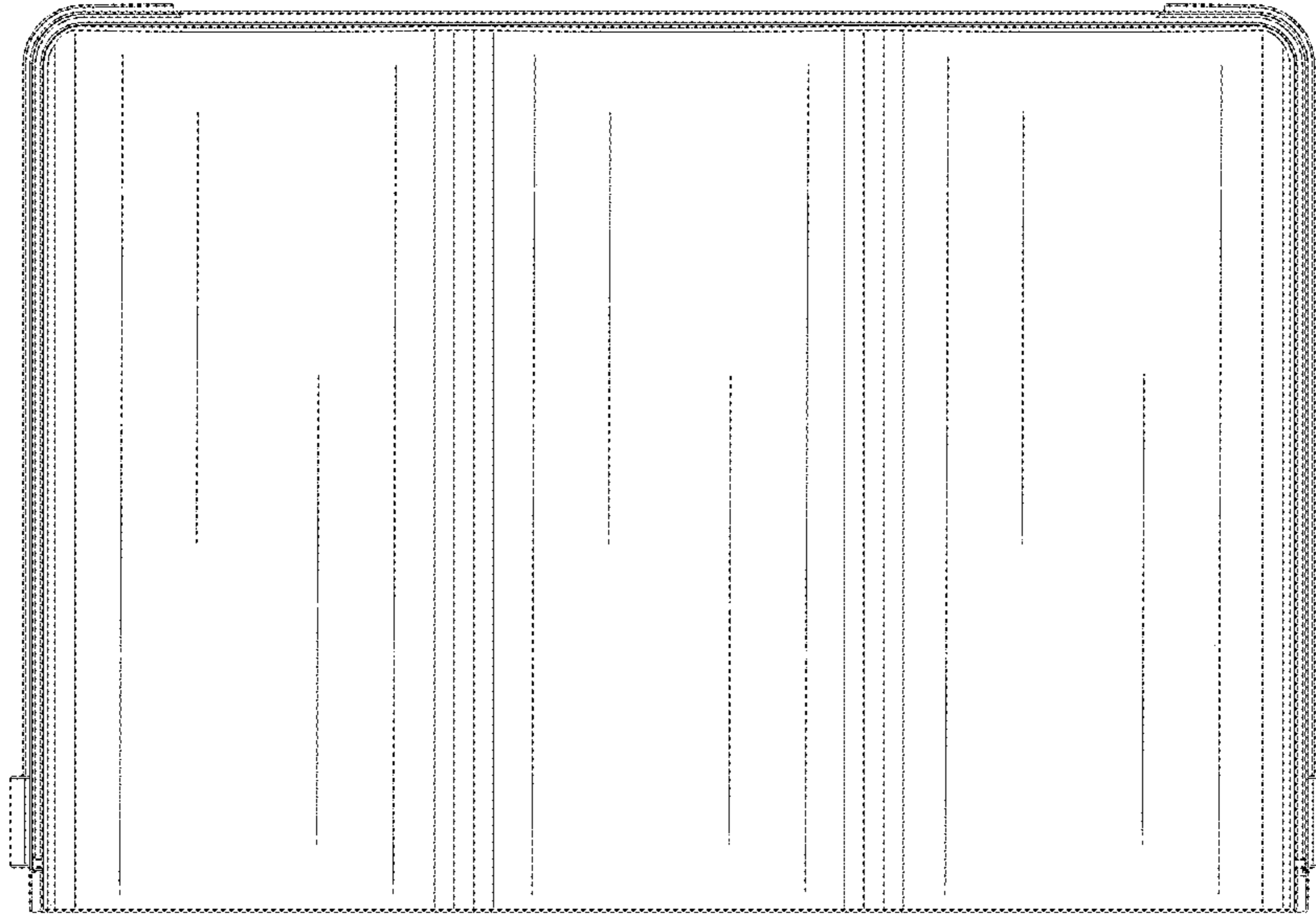


FIG. 8

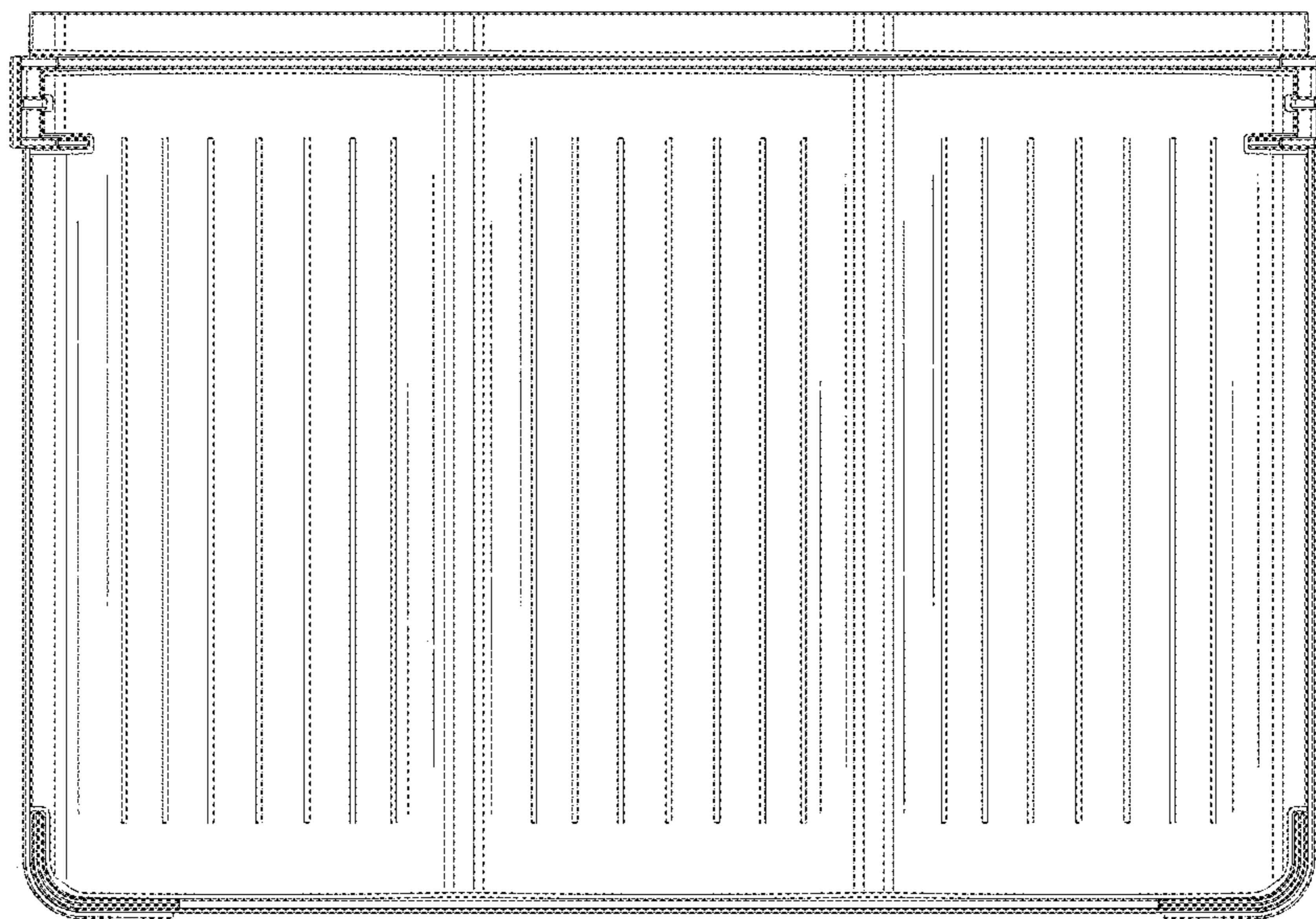


FIG. 9

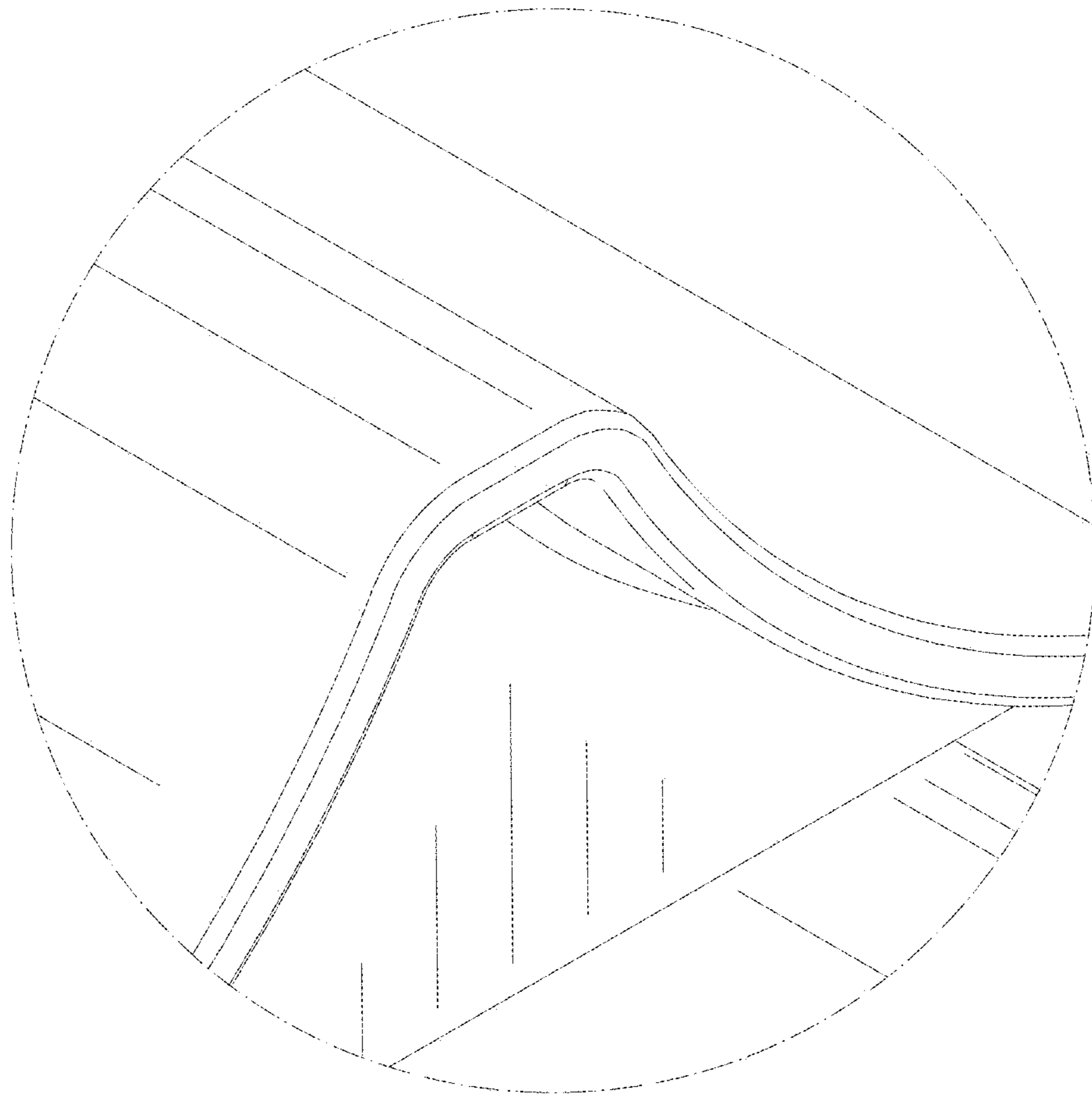


FIG.10