



US00D984861S

(12) **United States Design Patent**  
**Lovell**

(10) **Patent No.:** **US D984,861 S**  
(45) **Date of Patent:** **\*\* May 2, 2023**

(54) **BASEBALL BAT BARBEQUE TONGS**  
(71) Applicant: **Charles C. Lovell**, Huntingdon Valley, PA (US)  
(72) Inventor: **Charles C. Lovell**, Huntingdon Valley, PA (US)  
(\*\*) Term: **15 Years**  
(21) Appl. No.: **29/768,795**  
(22) Filed: **Feb. 1, 2021**  
(51) **LOC (14) Cl.** ..... **07-06**  
(52) **U.S. Cl.**  
USPC ..... **D7/684**  
(58) **Field of Classification Search**  
USPC ..... D7/680-696, 393, 395, 368, 669  
CPC ..... A47J 43/283; A47J 43/28; A47J 43/288;  
A47G 21/10; A47G 21/106; A47G 21/103; A47G 21/00; B25B 7/00; B25B 7/02; B25B 7/04; B25B 9/00; B25B 9/02; B25B 9/04; A47F 13/08  
See application file for complete search history.

(56) **References Cited**  
**U.S. PATENT DOCUMENTS**  
D254,767 S \* 4/1980 Christen, Jr. .... D7/686  
D298,600 S \* 11/1988 Dallaire ..... D7/686  
D392,849 S \* 3/1998 Zeller ..... D7/686  
D459,954 S \* 7/2002 Wang ..... D7/686  
D496,229 S \* 9/2004 Kaposi ..... D7/686  
2002/0117869 A1\* 8/2002 Wang ..... A47G 21/10  
294/99.2  
2016/0360928 A1\* 12/2016 Knittig ..... F21V 33/0084

**OTHER PUBLICATIONS**  
Amazon.com, BB BBQ Splitfinger Grill Tongs, Old Welsh Road Baseball, ASIN: B0923LN9CN, 9 pages, date found on Amazon Sep. 2022 (Year: 2022).\*

Amazon.com, Bnled Kitchen Tongs, ASIN: B08B53NJKH, 12 pages, date first available Jun. 14, 2020 (Year: 2020).\*

\* cited by examiner

*Primary Examiner* — Terry A Wallace  
(74) *Attorney, Agent, or Firm* — Andrew L. Salvatore, Esquire

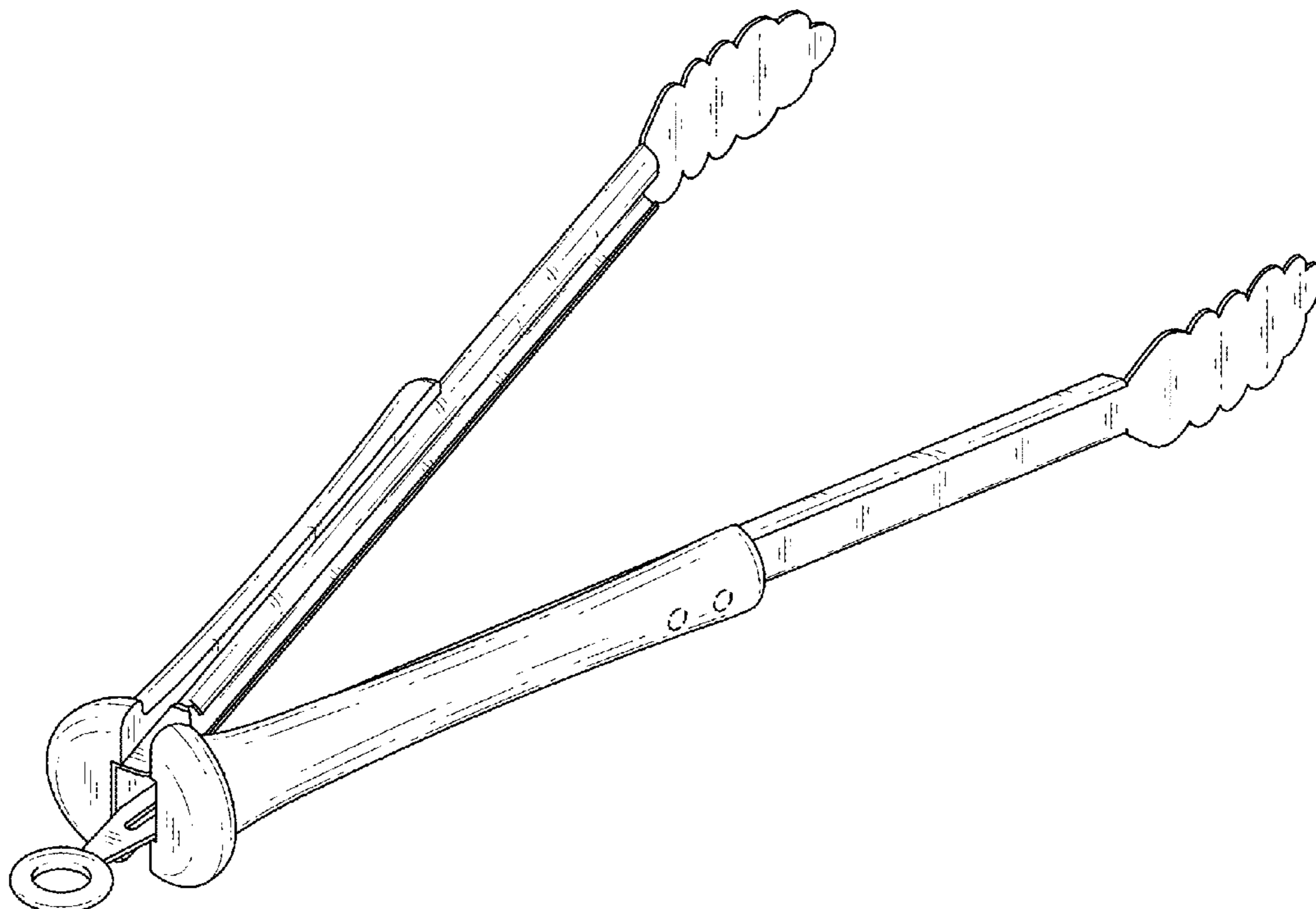
(57) **CLAIM**

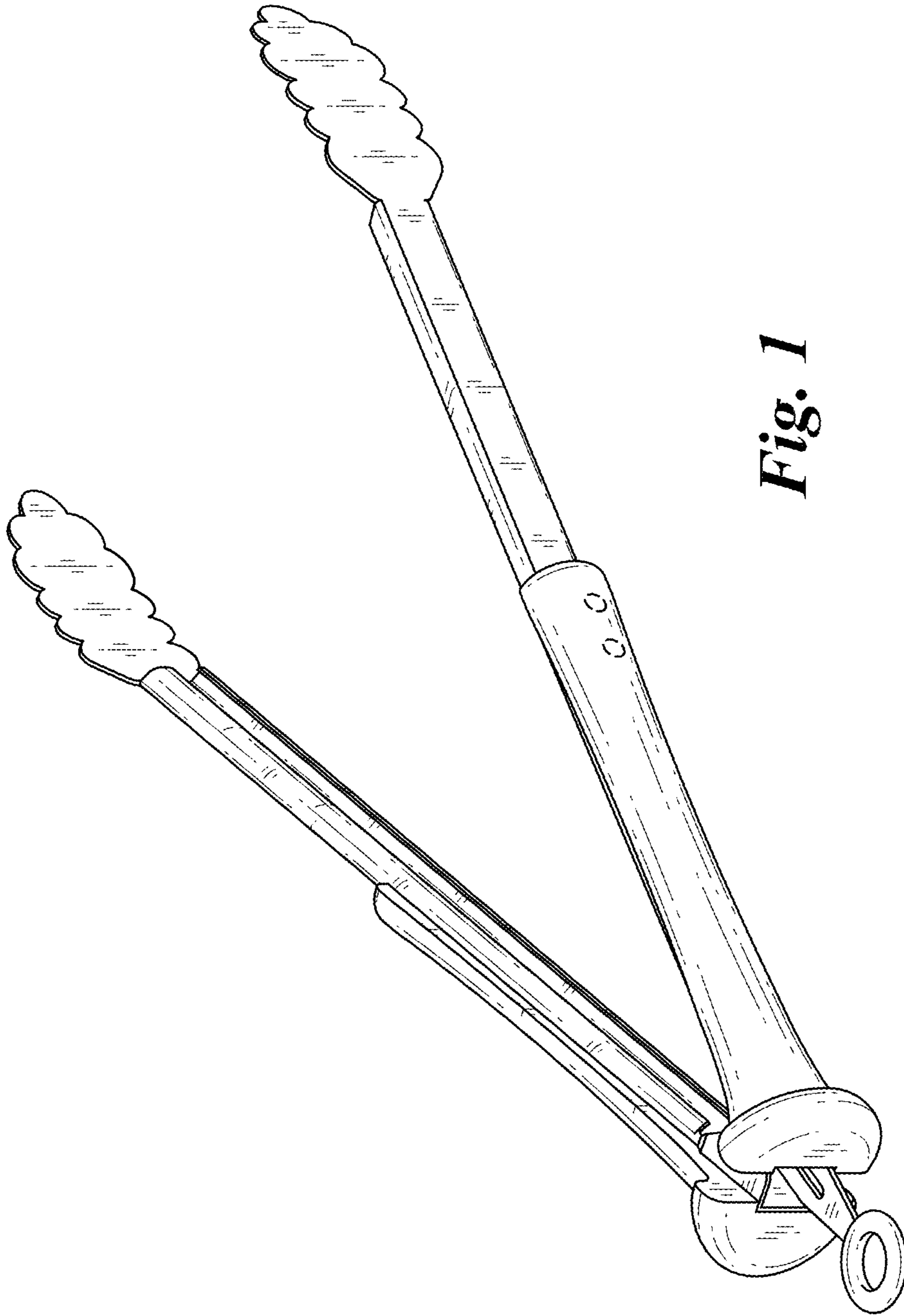
The ornamental design for a baseball bat barbecue tongs, as shown and described.

**DESCRIPTION**

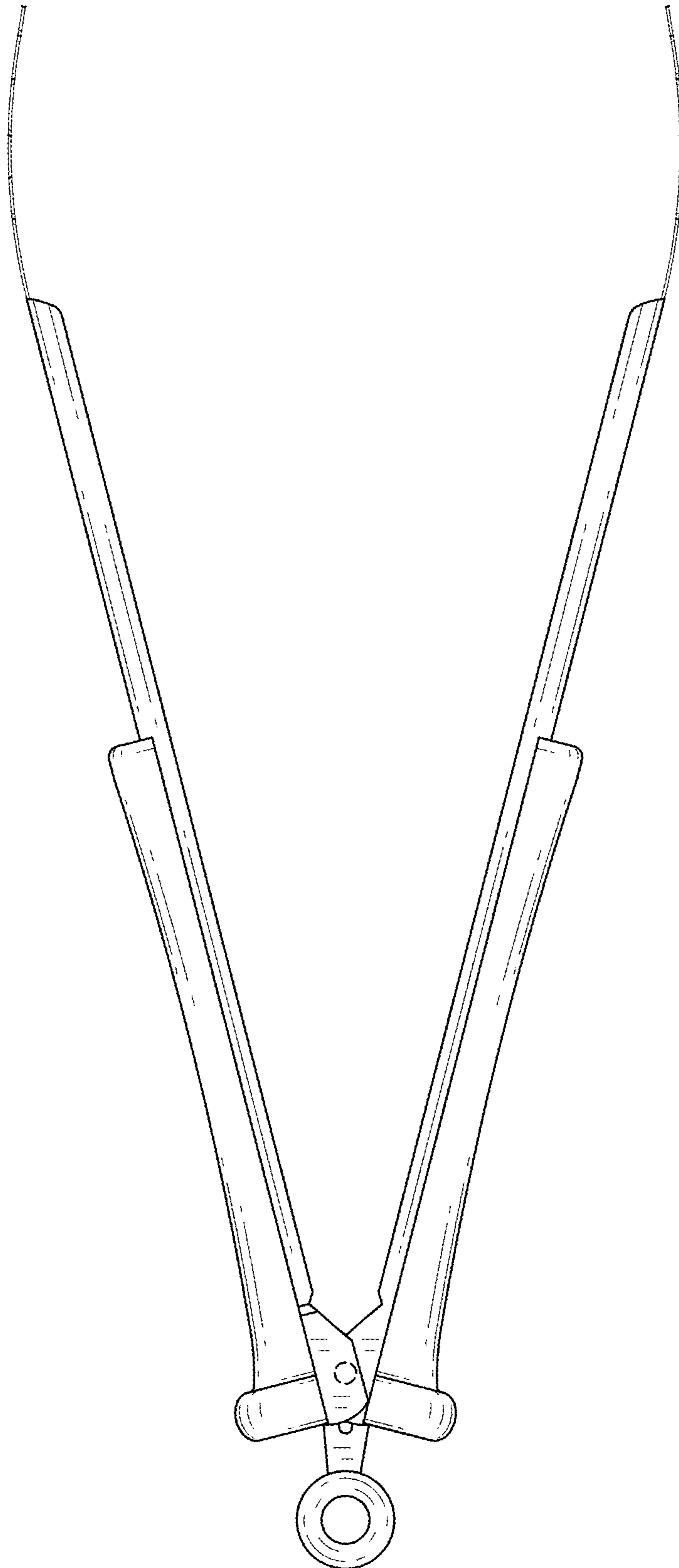
FIG. 1 is a perspective view of my design for a baseball bat barbecue tongs;  
FIG. 2 is a front elevational view of my design for a baseball bat barbecue tongs;  
FIG. 3 is a rear elevational view of my design for a baseball bat barbecue tongs;  
FIG. 4 is a right side elevational view of my design for a baseball bat barbecue tongs;  
FIG. 5 is a left side elevational view of my design for a baseball bat barbecue tongs;  
FIG. 6 is a top plan view of my design for a baseball bat barbecue tongs; and,  
FIG. 7 is a bottom plan view of my design for a baseball bat barbecue tongs.  
The broken lines in the drawings are for illustrative purposes only and do not form part of the claimed design.

**1 Claim, 5 Drawing Sheets**

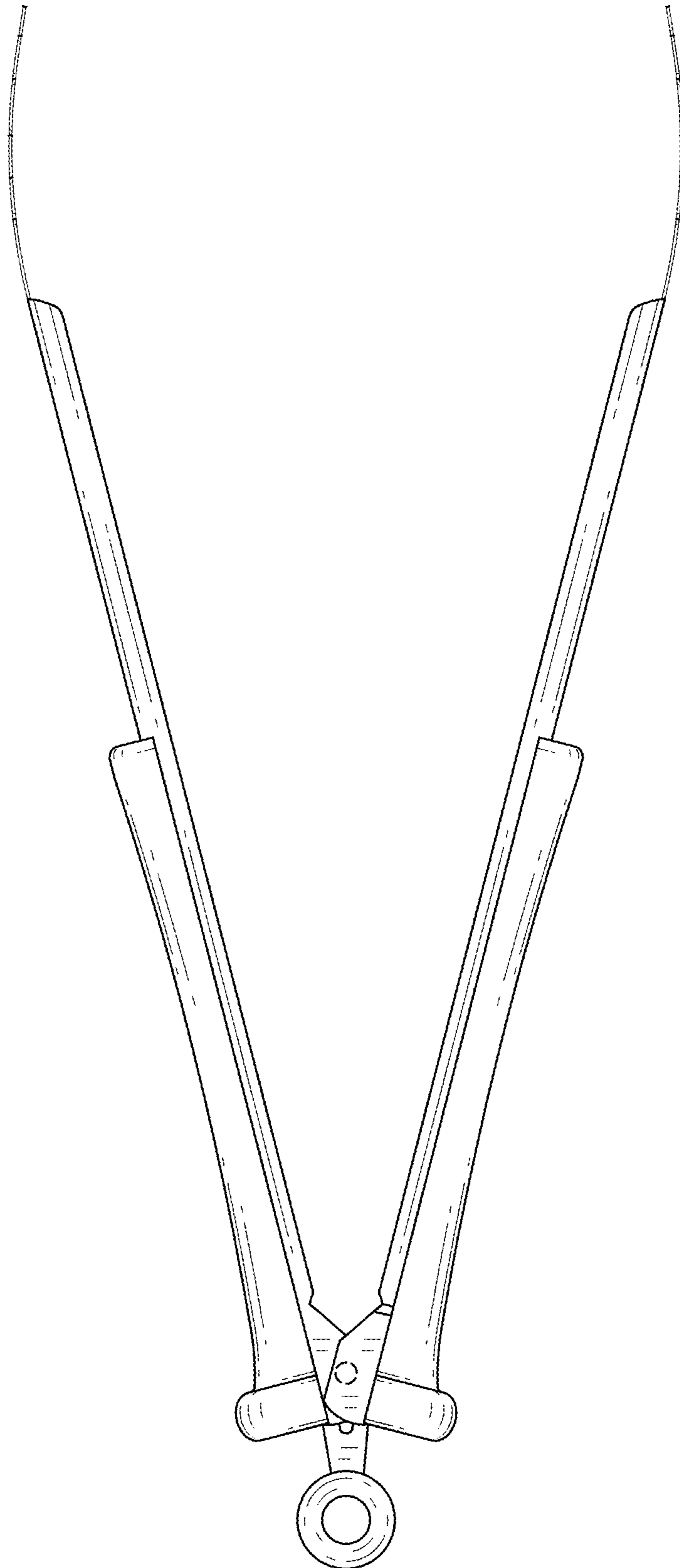




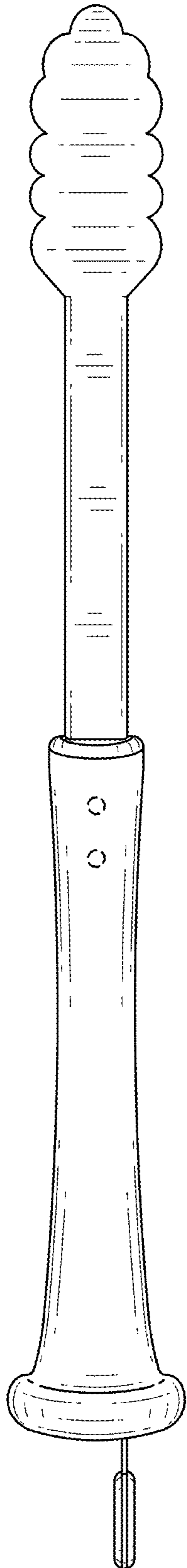
*Fig. 1*



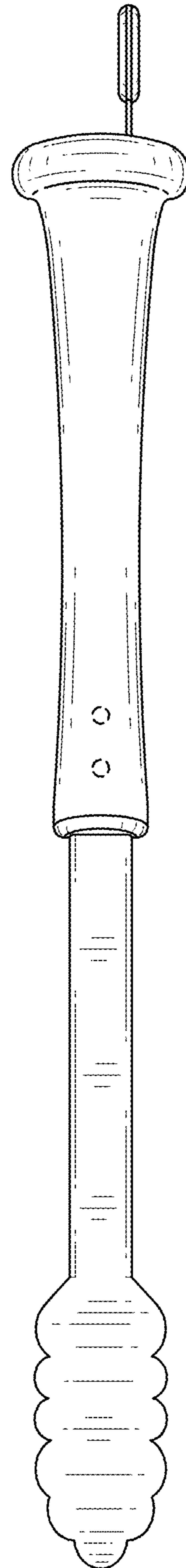
*Fig. 2*



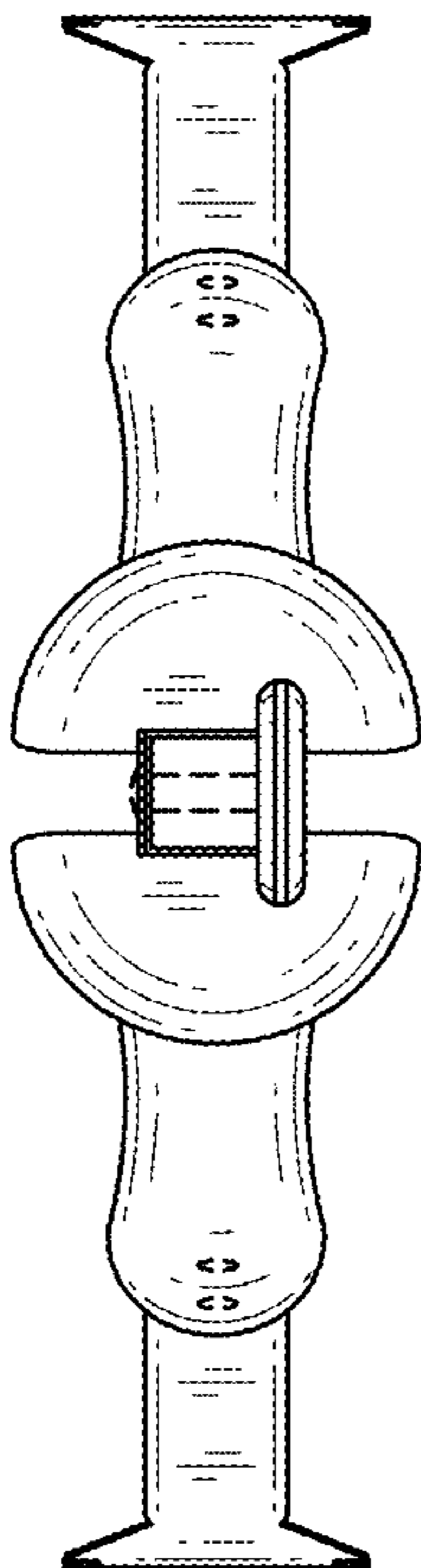
*Fig. 3*



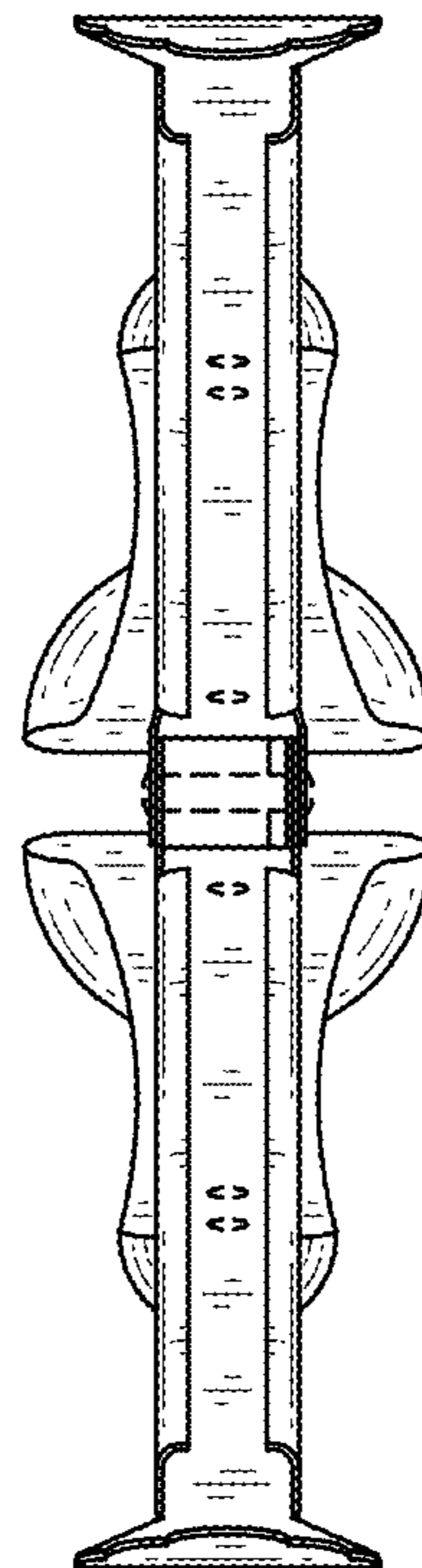
*Fig. 4*



*Fig. 5*



*Fig. 6*



*Fig. 7*