



US00D984859S

(12) **United States Design Patent**
Miller

(10) **Patent No.:** **US D984,859 S**

(45) **Date of Patent:** **** May 2, 2023**

(54) **STRAINER**

amazon.com/OXO-Good-Grips-3-Piece-Strainer/dp/B09MRBD3GZ (Year: 2021).*

(71) Applicant: **Helen of Troy Limited**, St. Michael (BB)

(Continued)

(72) Inventor: **Anastasia Arabella Miller**, Brooklyn, NY (US)

Primary Examiner — Nicole C Shiflet

Assistant Examiner — Yen Le Southwood

(73) Assignee: **Helen of Troy Limited**, St. Michael (BB)

(74) *Attorney, Agent, or Firm* — Rankin, Hill & Clark LLP

(**) Term: **15 Years**

(57) **CLAIM**

The ornamental design for a strainer, as shown and described.

(21) Appl. No.: **29/784,779**

DESCRIPTION

(22) Filed: **May 21, 2021**

(51) **LOC (14) Cl.** **07-04**

(52) **U.S. Cl.**
USPC **D7/667**

(58) **Field of Classification Search**
USPC D7/354, 355, 356, 357, 369, 380, 381,
D7/385, 400, 401.2, 409, 414, 415, 505,
(Continued)

FIG. 1 is a front, right perspective view of a strainer showing one embodiment of my new design;
FIG. 2 is a front elevation view of FIG. 1;
FIG. 3 is a rear elevation view of FIG. 1;
FIG. 4 is a left side elevation view of FIG. 1;
FIG. 5 is a right side elevation view of FIG. 1;
FIG. 6 is a top plan view of FIG. 1;
FIG. 7 is a bottom plan view of FIG. 1;
FIG. 8 is a front, right perspective view of a strainer showing another embodiment of my new design;
FIG. 9 is a front elevation view of FIG. 8;
FIG. 10 is a rear elevation view of FIG. 8;
FIG. 11 is a left side elevation view of FIG. 8;
FIG. 12 is a right side elevation view of FIG. 8;
FIG. 13 is a top plan view of FIG. 8;
FIG. 14 is a bottom plan view of FIG. 8;
FIG. 15 is a front, right perspective view of a strainer showing another embodiment of my new design;
FIG. 16 is a front elevation view of FIG. 15;
FIG. 17 is a rear elevation view of FIG. 15;
FIG. 18 is a left side elevation view of FIG. 15;
FIG. 19 is a right side elevation view of FIG. 15;
FIG. 20 is a top plan view of FIG. 15; and,
FIG. 21 is a bottom plan view of FIG. 15.

(56) **References Cited**

U.S. PATENT DOCUMENTS

948,185 A * 2/1910 Mulheir B01D 35/28
210/470
2,174,577 A * 10/1939 Friedman A47J 43/20
210/471

(Continued)

FOREIGN PATENT DOCUMENTS

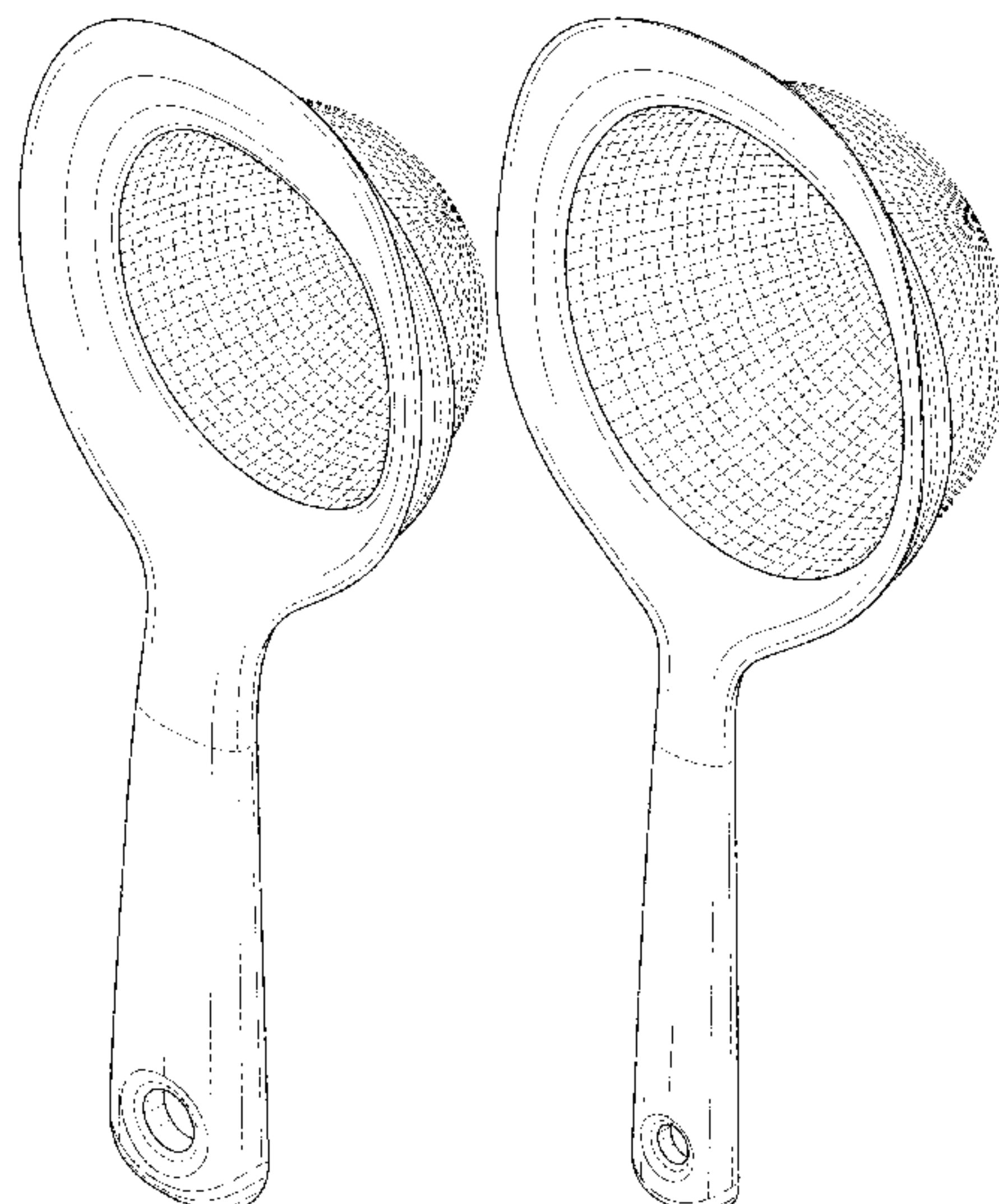
CN 304282887 * 9/2017
EM 008763205-0001 * 1/2022
GB 6185682 * 1/2022

OTHER PUBLICATIONS

OXO Good Grips Strainer Set, posted Nov. 29, 2021 [online], [retrieved Jan. 21, 2023]. Retrieved from internet, <https://www.oxo.com>

The broken lines in the drawings depict portions of the strainer that form no part of the claimed design.

1 Claim, 15 Drawing Sheets



(58) **Field of Classification Search**

USPC D7/548, 549, 629, 637, 641, 642, 643,
 D7/644, 645, 647, 648, 649, 650, 651,
 D7/652, 653, 654, 661, 662, 663, 664,
 D7/665, 666, 667, 668, 669, 674, 682,
 D7/688, 691, 692, 698, 393, 395, 542;
 D8/93, 94, 95, 97, 100, 101, 103;
 D9/434, 454, 741, 742, 759, 760, 761,
 D9/426; D23/290; D32/55; D3/304;
 D10/46.2; D24/150
 CPC A47G 21/00; A47G 21/02; A47G 21/023;
 A47G 21/04; A47G 21/06; A47G 21/065;
 A47G 21/08; A23L 2/04; A23L 2/06;
 A23L 15/00; A23L 5/15; A47J 19/005;
 A47J 19/00; A47J 19/02; A47J 19/023;
 A47J 19/025; A47J 19/027; A47J 19/06;
 A47J 27/05; A47J 31/06; A47J 31/0636;
 A47J 31/407; A47J 36/027; A47J 36/08;
 A47J 36/18; A47J 36/20; A47J 37/1295;
 A47J 42/28; A47J 43/044; A47J 43/06;
 A47J 43/22; A47J 43/24; A47J 43/25;
 A47J 43/28; A47J 43/281; A47J 43/284;
 A47J 43/285; A47J 43/286; A47J 47/20;
 A47J 2043/04454; A47J 27/08; A47J
 43/20; B26B 3/00; B26B 3/02; B26B
 9/02; B26B 13/06; B26B 13/12; B26B
 25/005; B27B 21/00; B27B 21/004; B27B
 21/56; B30B 9/02; B01D 35/28; B25G
 1/102; F26B 5/08

See application file for complete search history.

(56) **References Cited**

U.S. PATENT DOCUMENTS

2,241,229 A * 5/1941 Williams A47J 43/22
 29/520

2,275,268 A * 3/1942 Prinzlerannab A47J 43/22
 210/471
 D143,105 S * 12/1945 Zabel D7/667
 2,391,215 A * 12/1945 William A47J 43/22
 4/290
 2,464,921 A * 3/1949 Chandler A47J 43/22
 160/395
 D245,565 S * 8/1977 Steiner D7/667
 D345,796 S * 4/1994 Pernicka D24/150
 D382,171 S * 8/1997 Ancona D10/46.2
 D384,242 S * 9/1997 Ancona D7/393
 D411,780 S * 7/1999 Muller D7/395
 D456,221 S * 4/2002 Tse D7/667
 D515,261 S * 2/2006 Henson D7/667
 D731,862 S * 6/2015 Kent D7/667
 D734,104 S * 7/2015 Lee D7/667
 D805,346 S * 12/2017 Ryan D7/395

OTHER PUBLICATIONS

Good Cook Touch Strainer, posted Jul. 28, 2010 [online], [retrieved
 Jan. 21, 2023]. Retrieved from internet, [https://www.amazon.com/
 Good-Cook-Touch-8-Inch-Strainer/dp/B003XPH71O](https://www.amazon.com/Good-Cook-Touch-8-Inch-Strainer/dp/B003XPH71O) (Year: 2010).*

Handy Housewares Colander Set, posted Nov. 28, 2019 [online],
 [retrieved Jan. 21, 2023]. Retrieved from internet, [https://www.
 amazon.com/Piece-Nesting-Mini-Food-Colander/dp/
 B08247XYM2/](https://www.amazon.com/Piece-Nesting-Mini-Food-Colander/dp/B08247XYM2/) (Year: 2019).*

VitiKart Strainer, posted date unknown [online], [retrieved Jan. 21,
 2023]. Retrieved from, <https://www.vitikart.com.fj/118-1-46140>.*

* cited by examiner

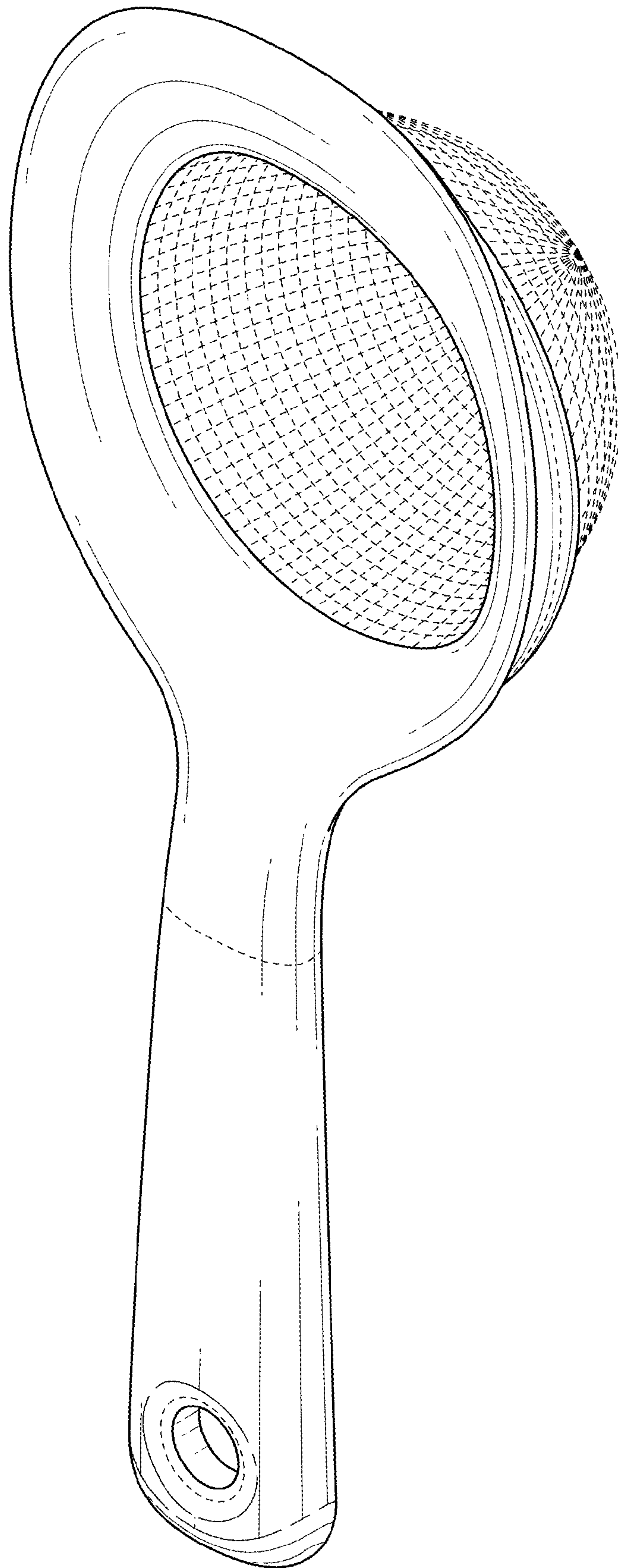


FIG. 1

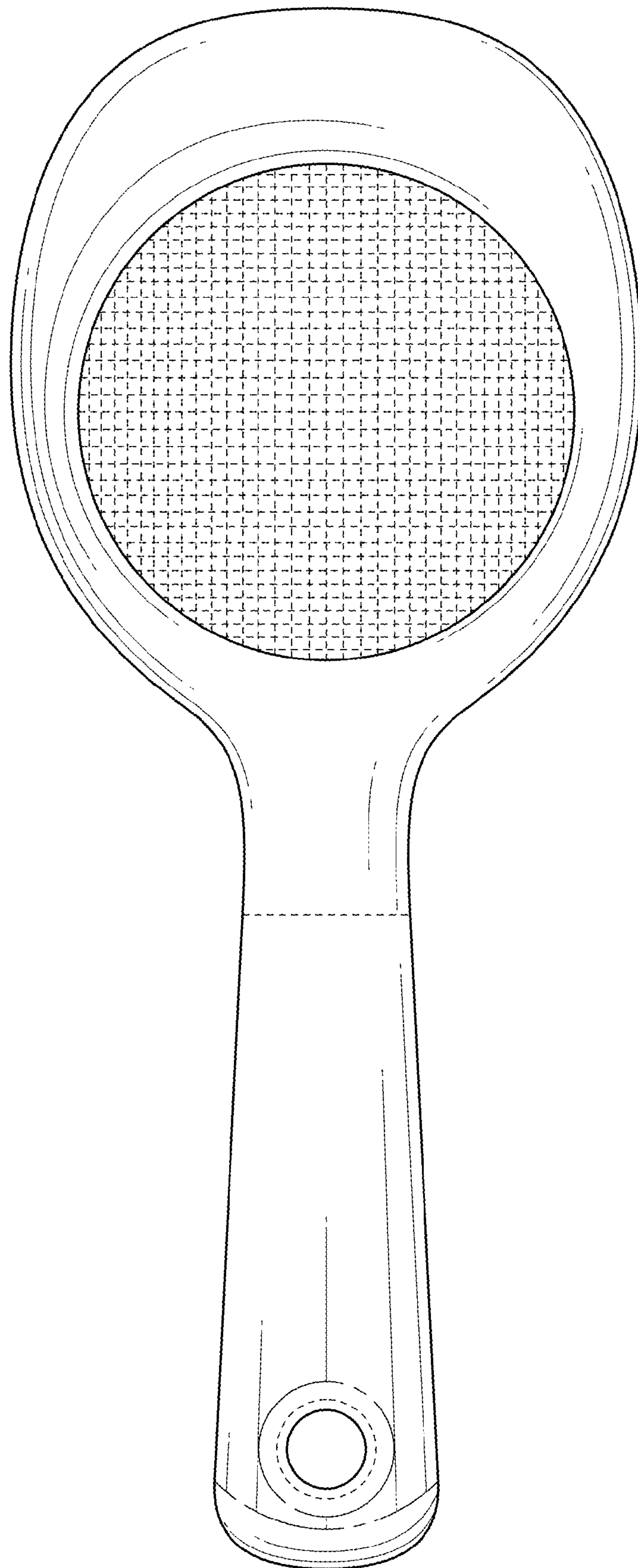


FIG. 2

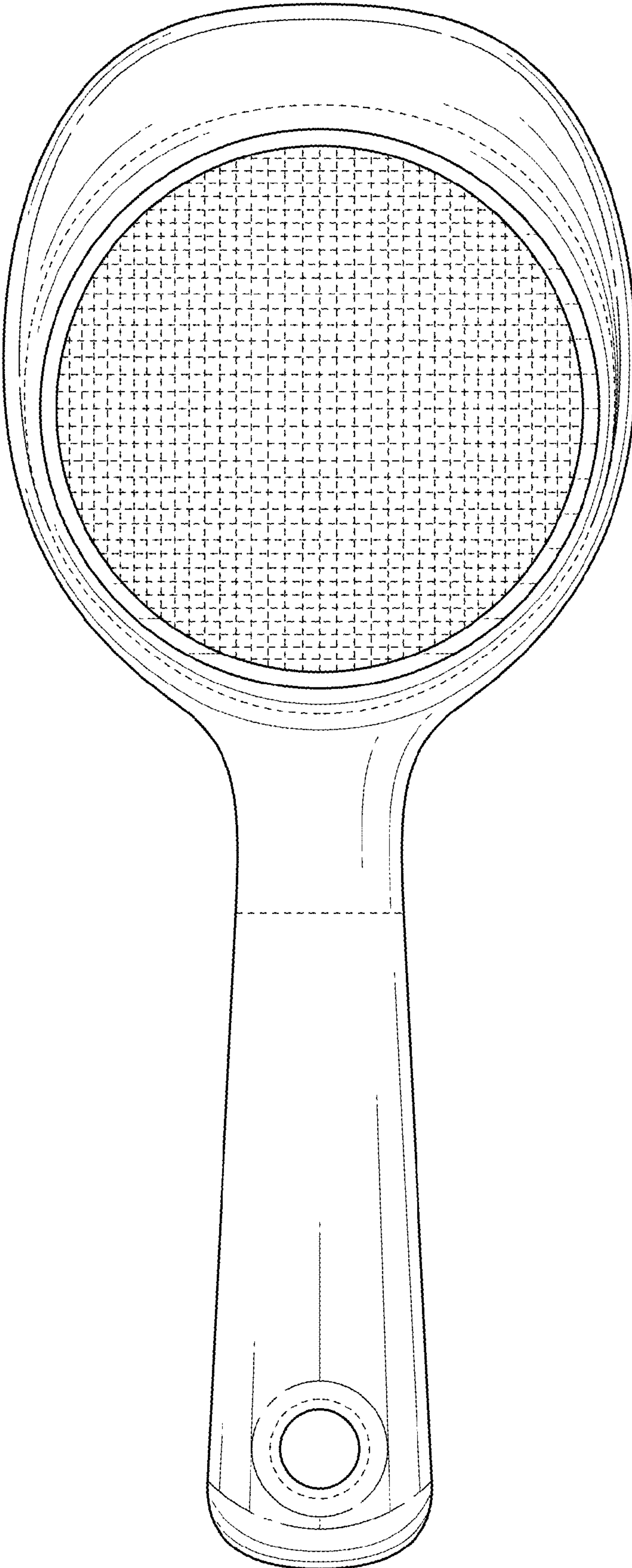


FIG. 3

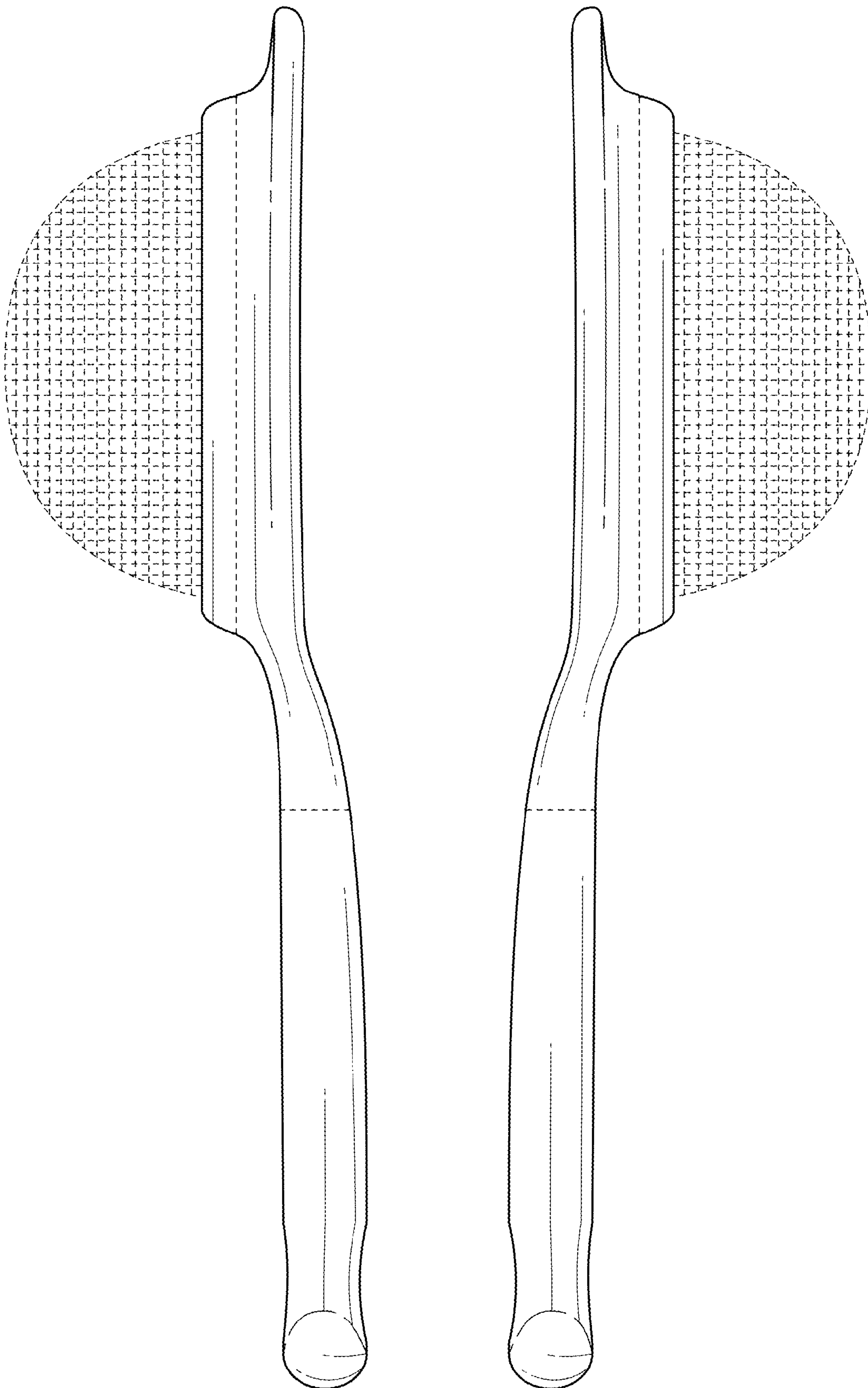


FIG. 4

FIG. 5

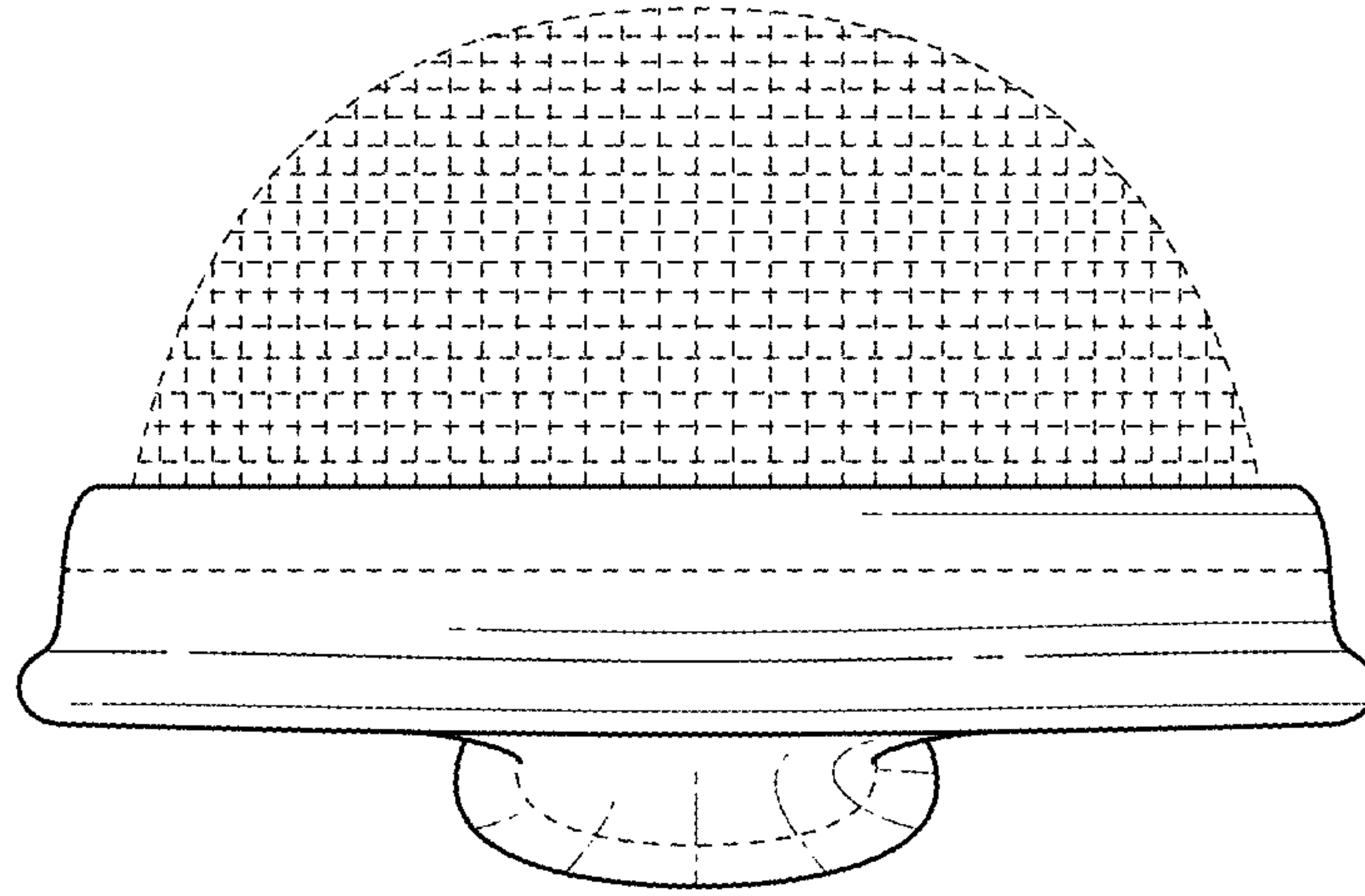


FIG. 6

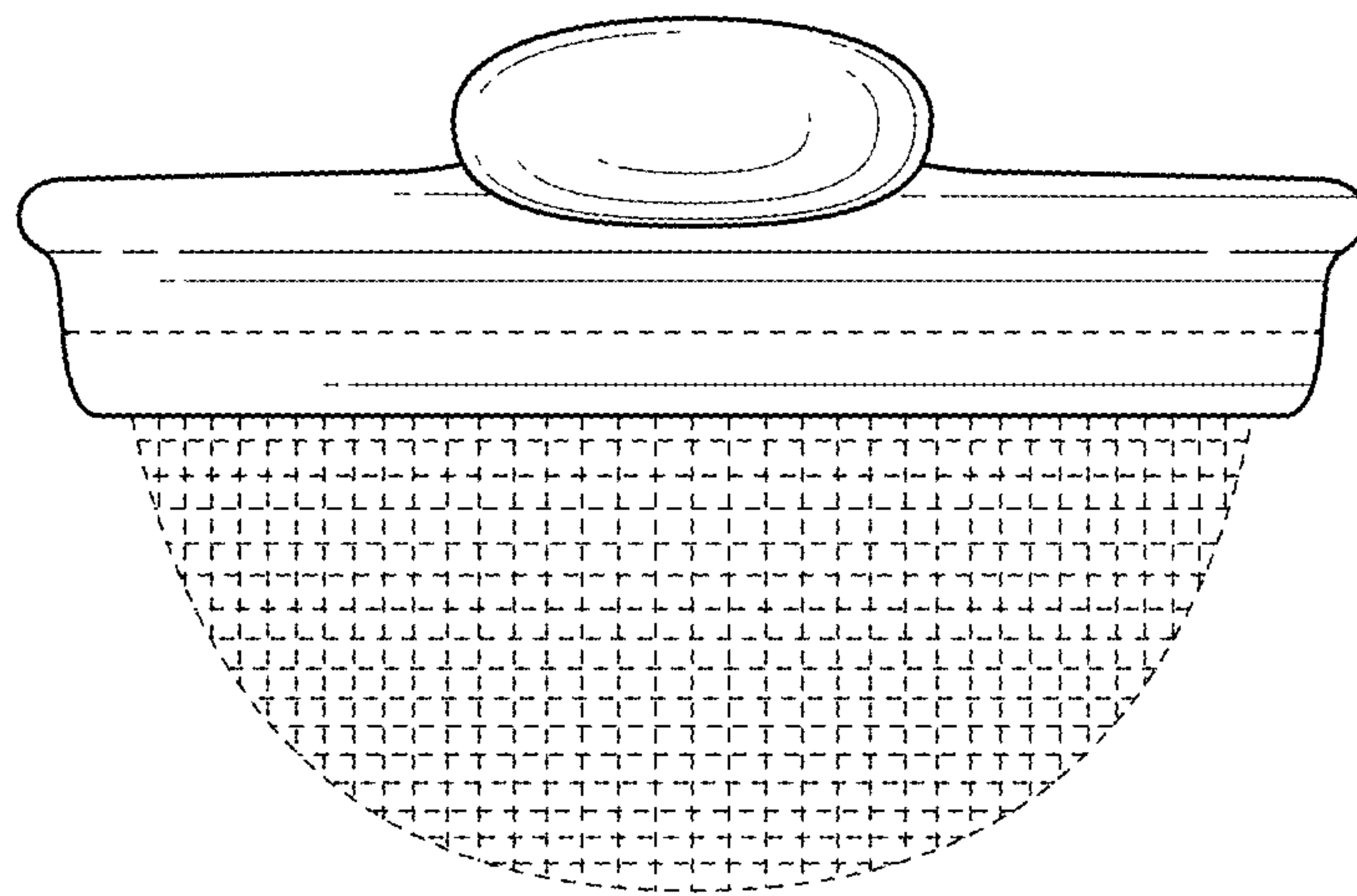


FIG. 7

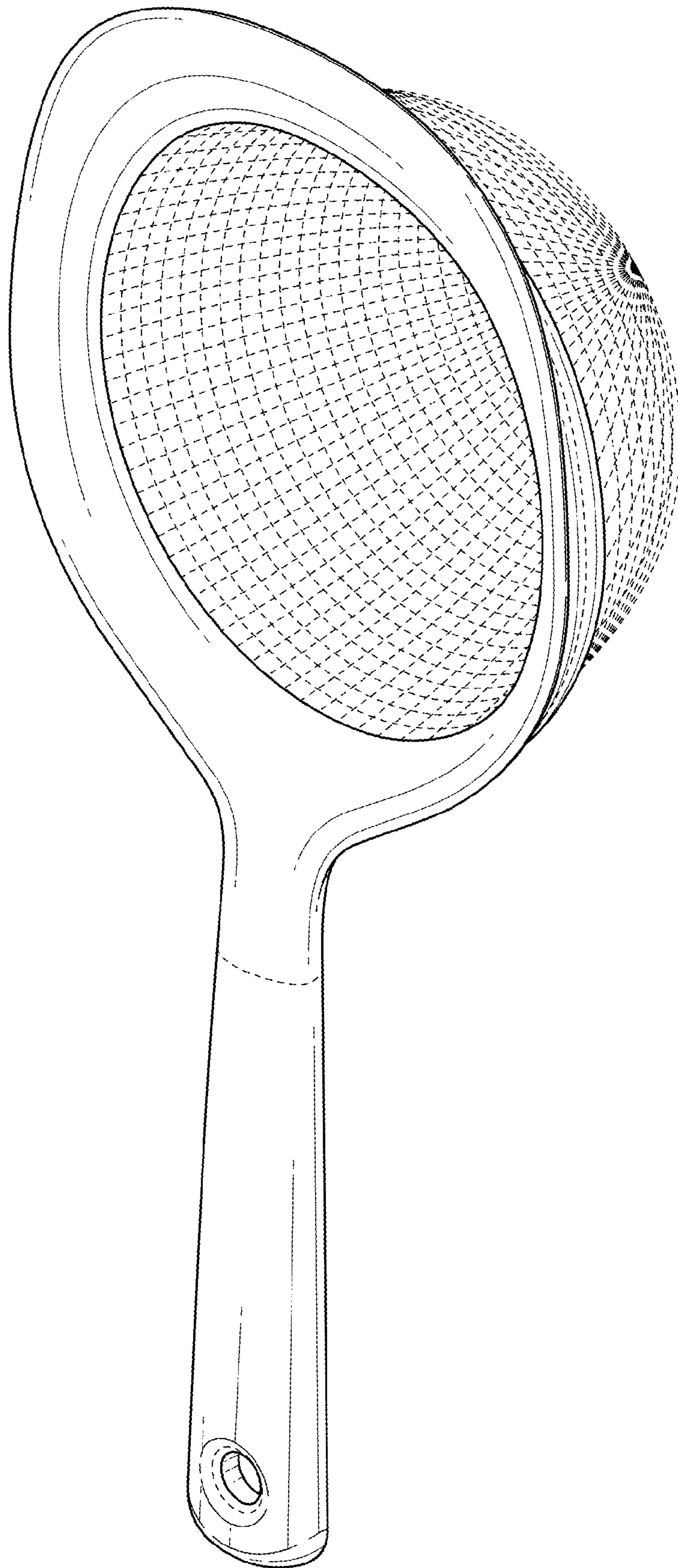


FIG. 8

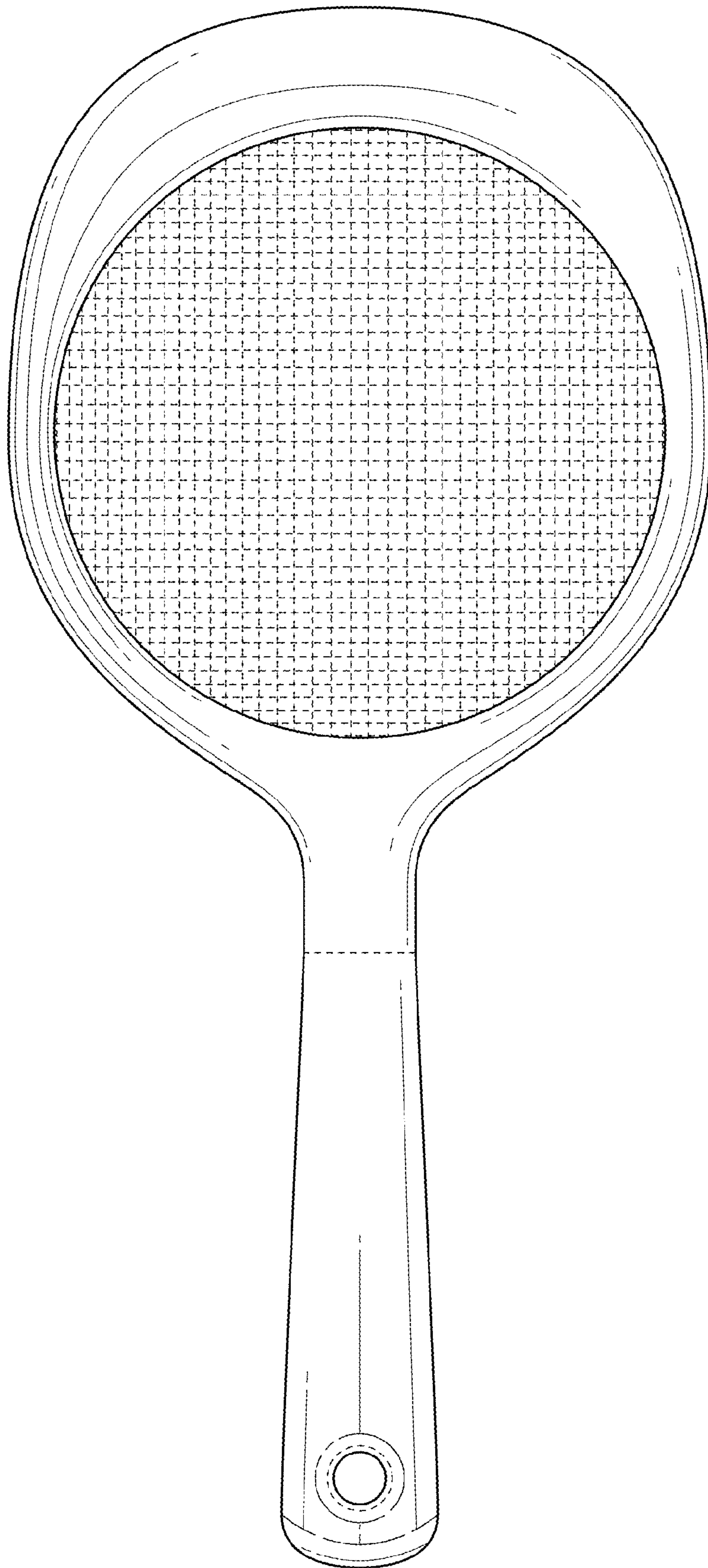


FIG. 9

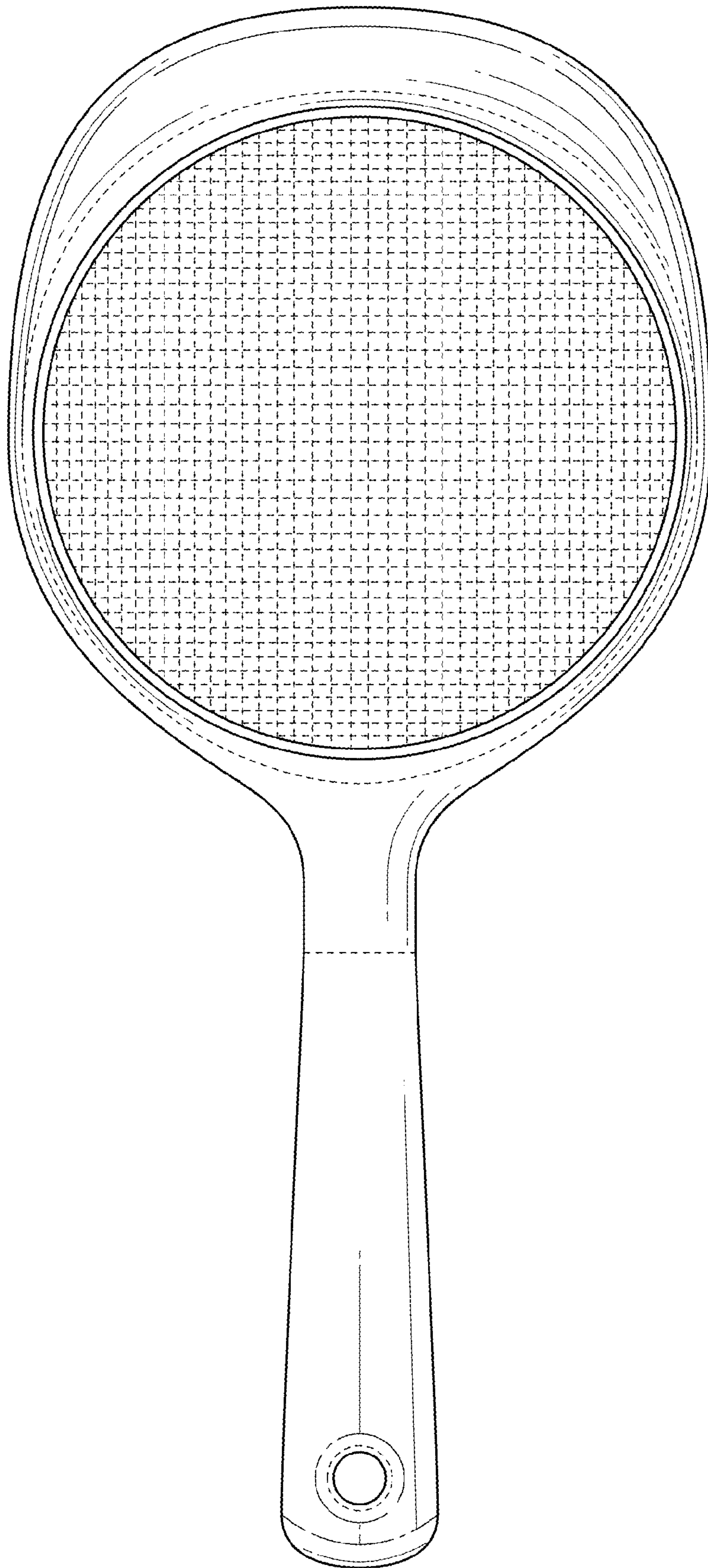


FIG. 10

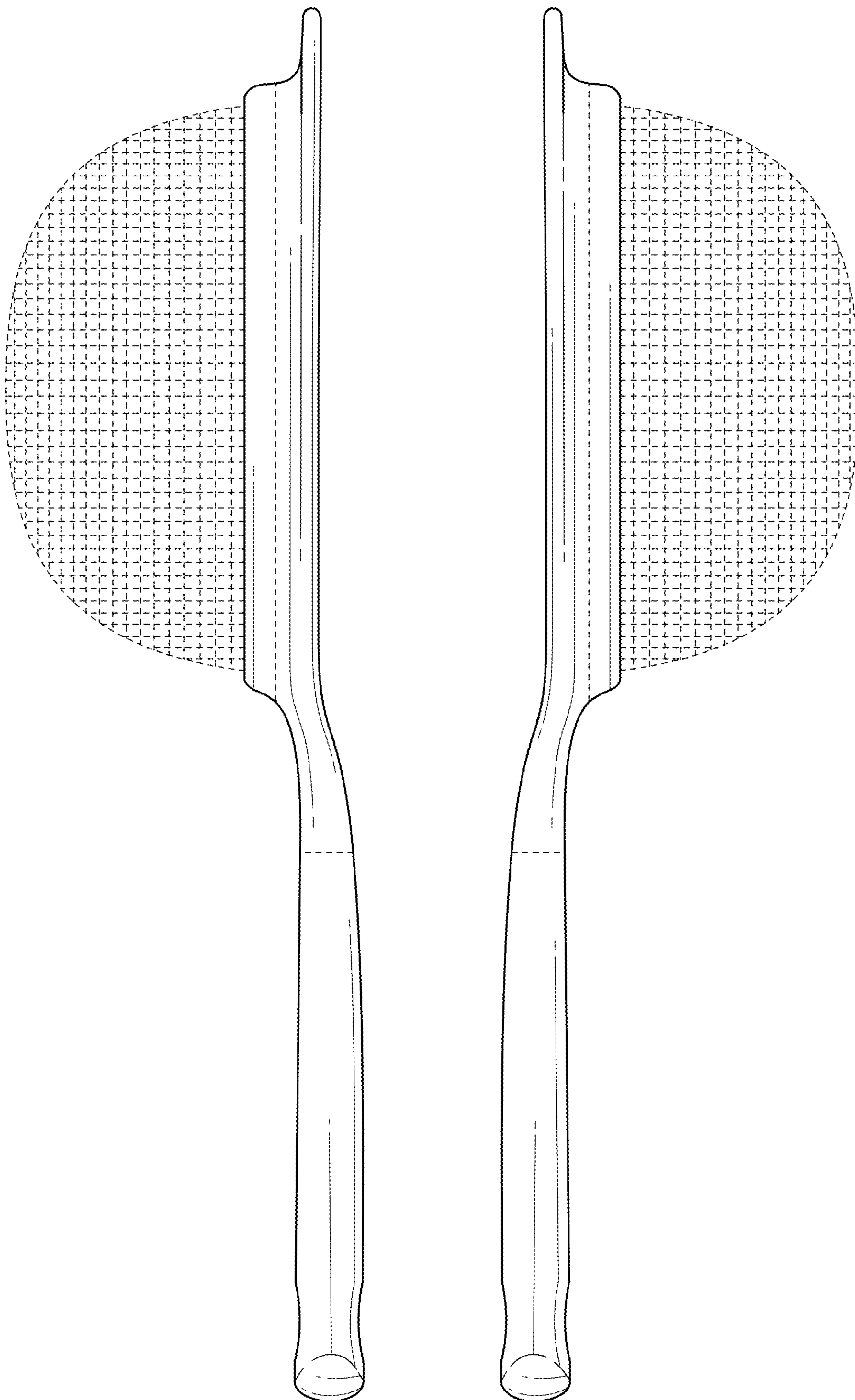


FIG. 11

FIG. 12

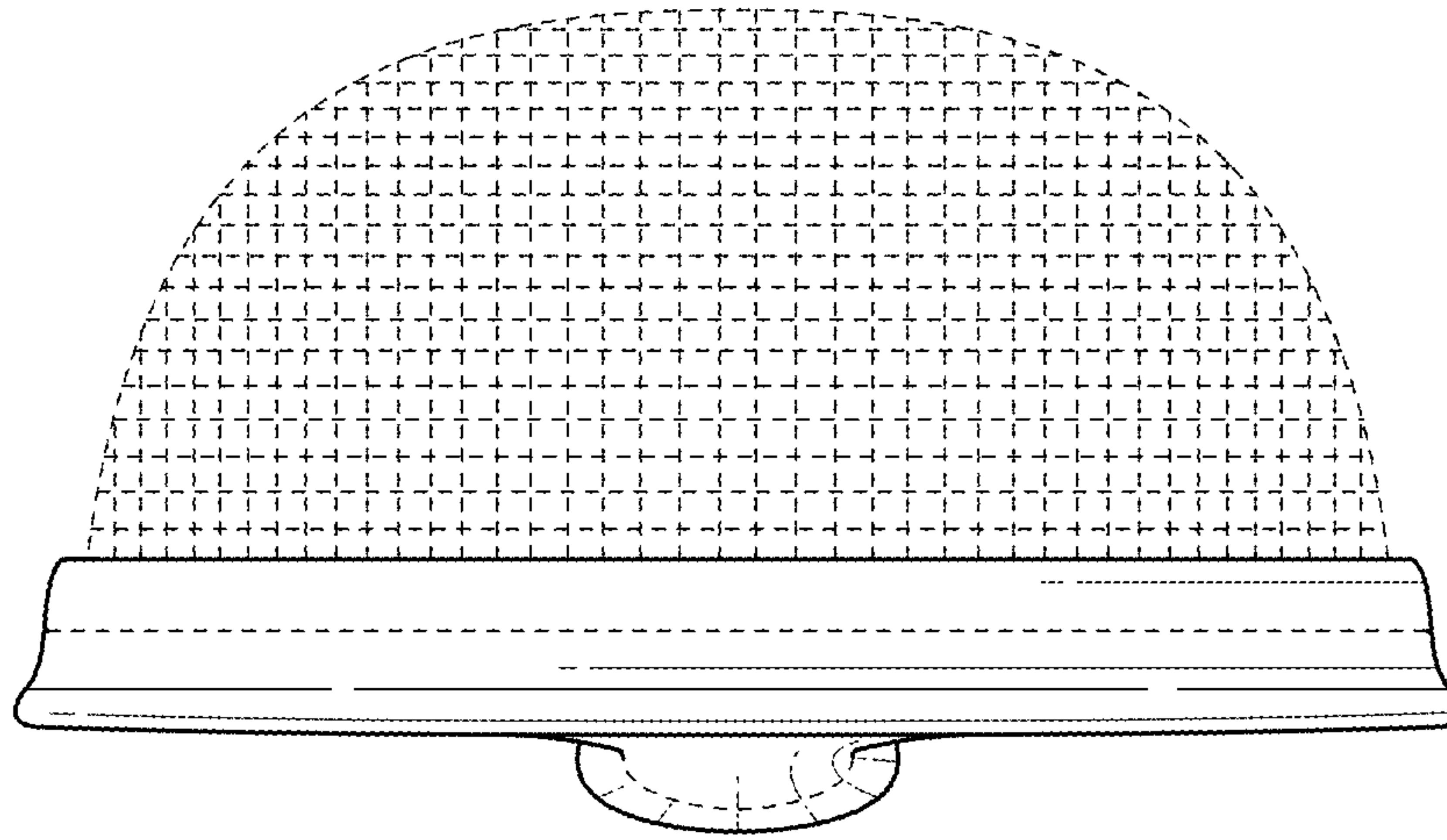


FIG. 13

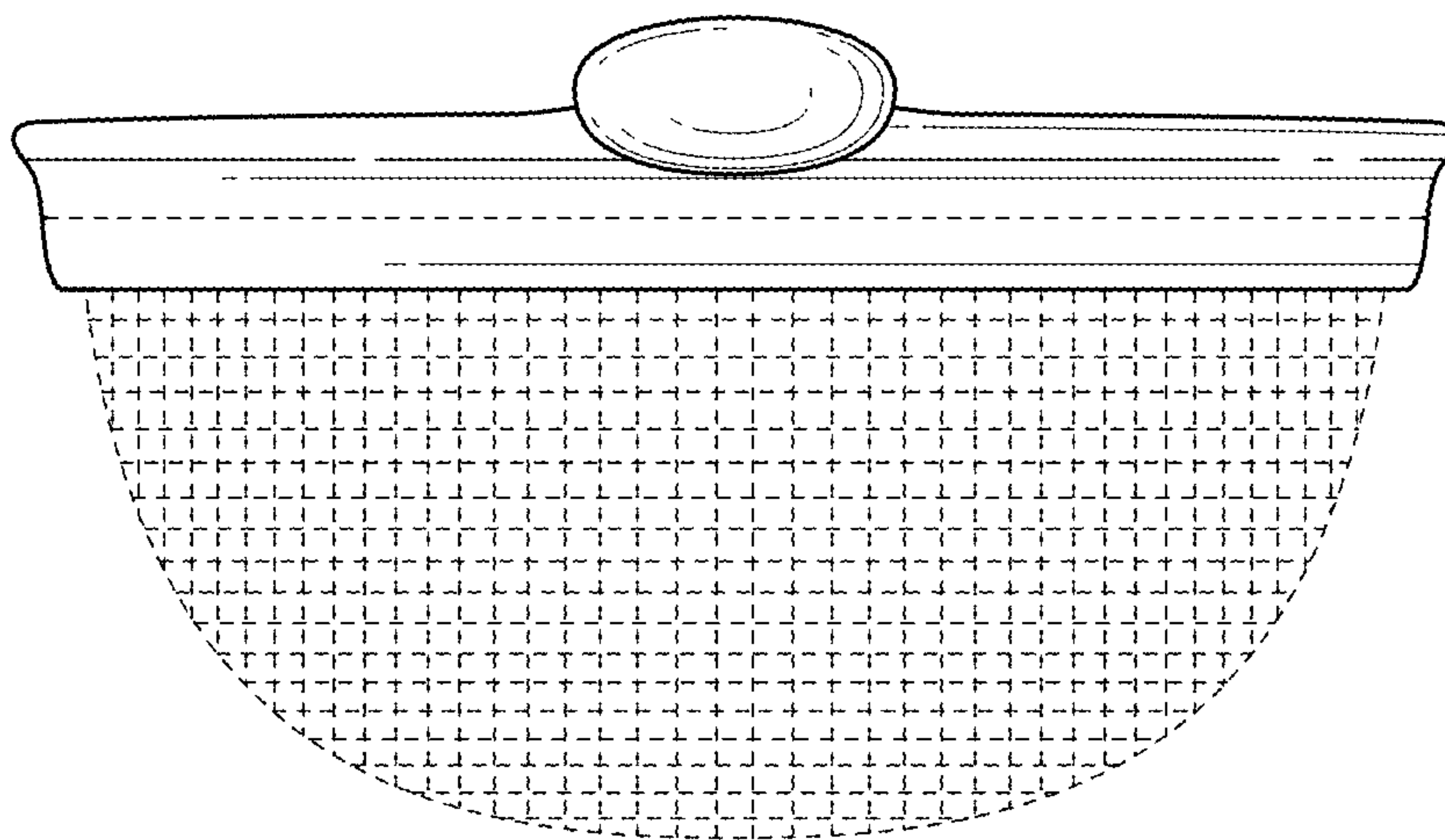


FIG. 14

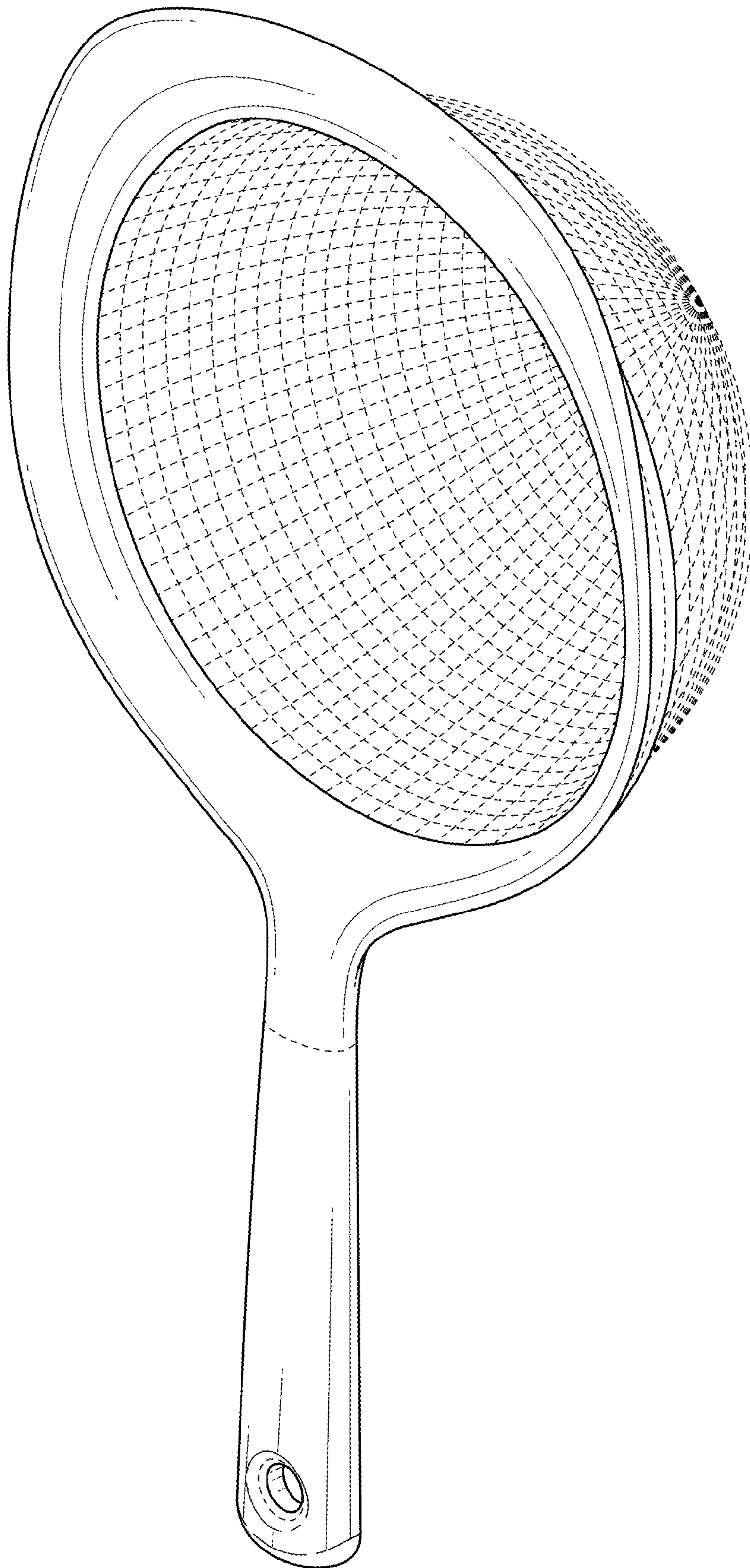


FIG. 15

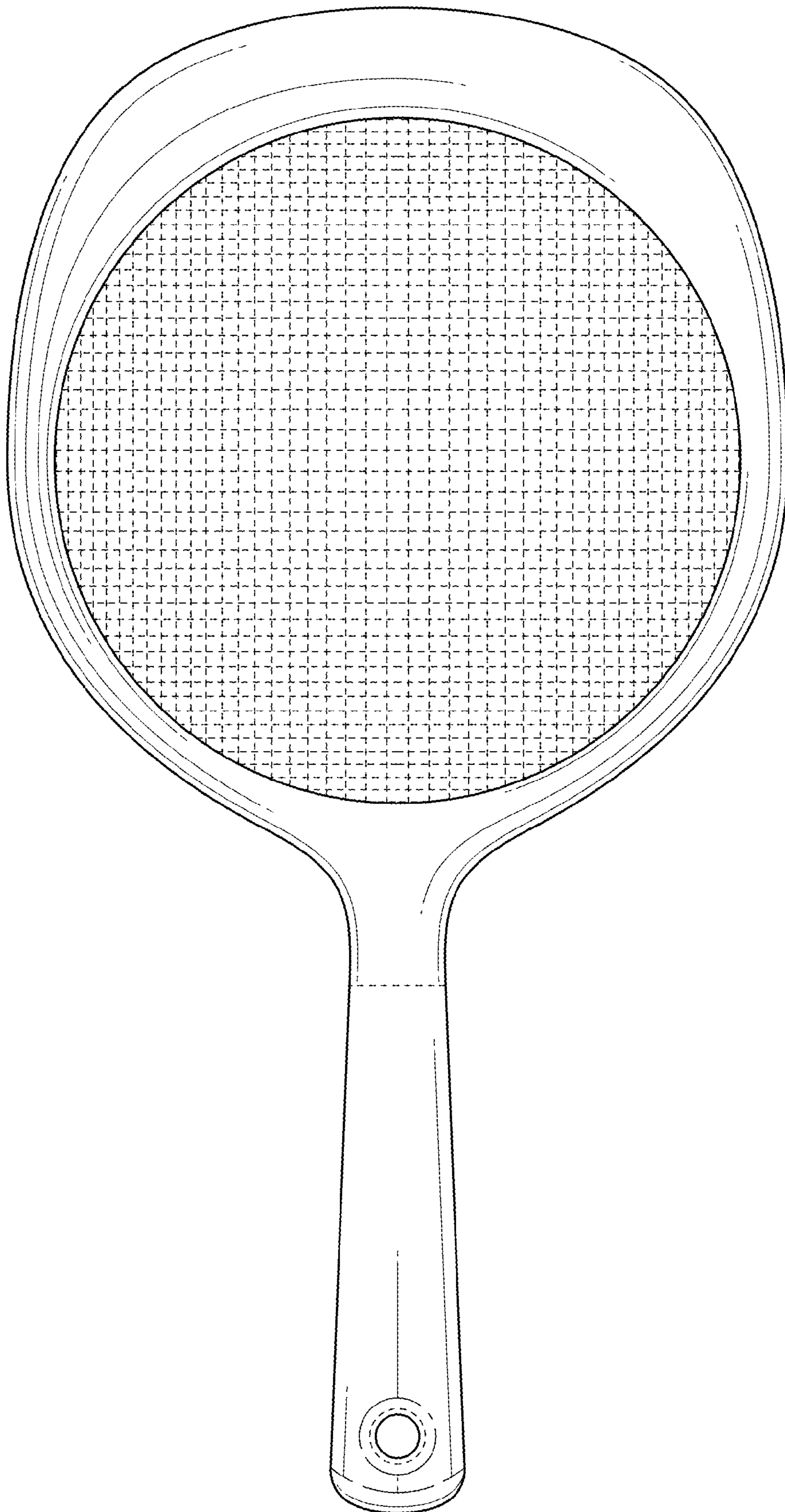


FIG. 16

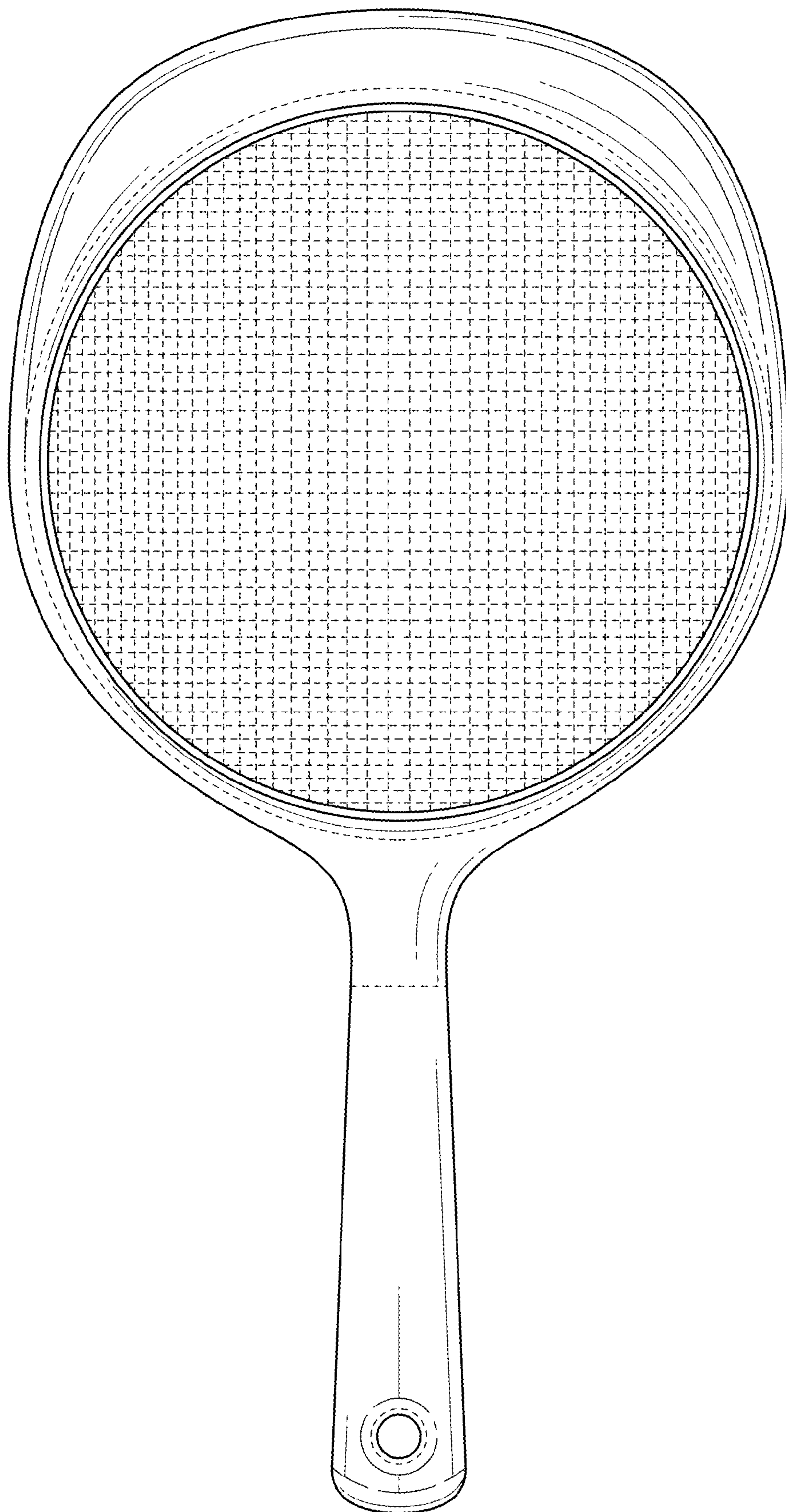


FIG. 17

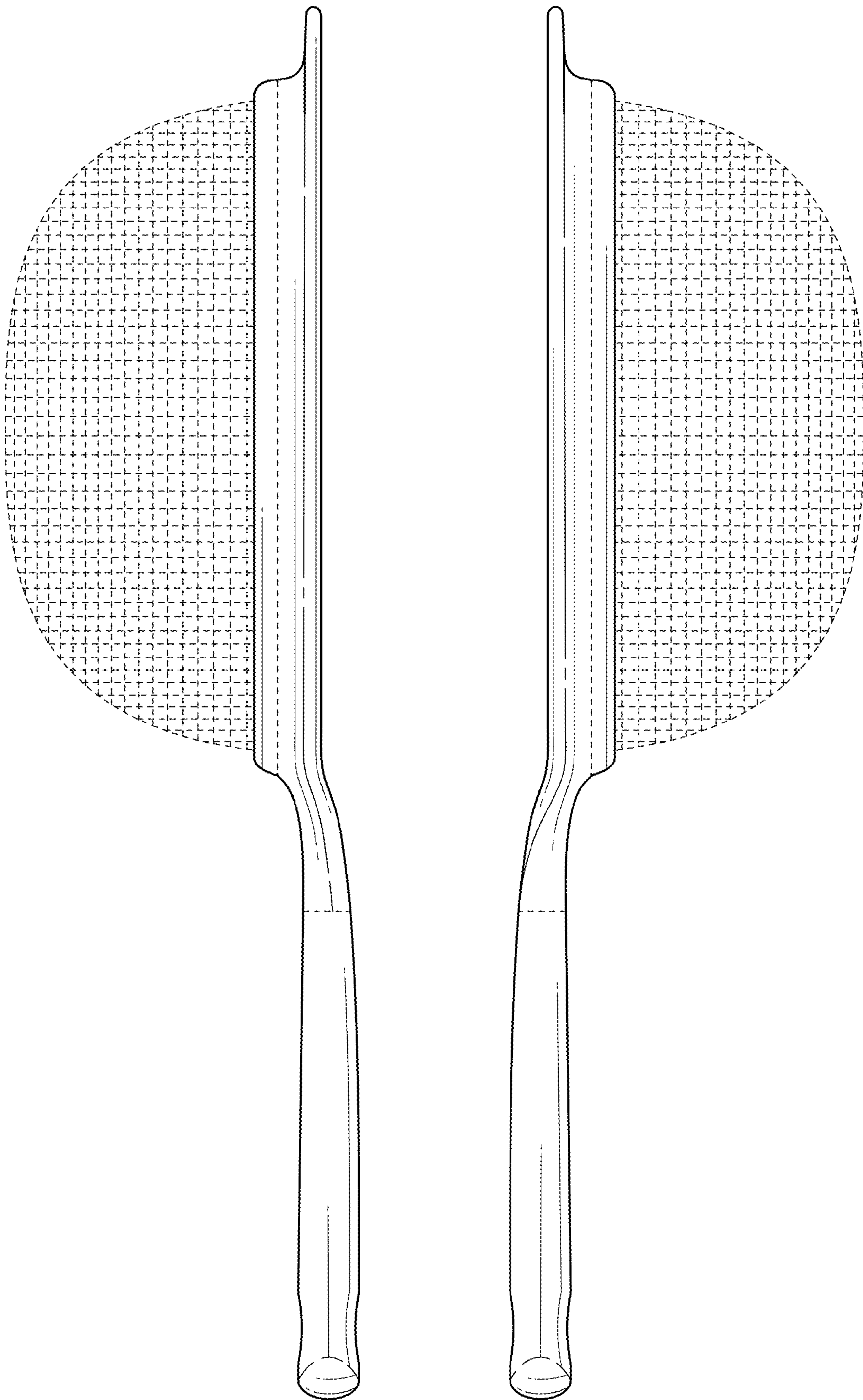


FIG. 18

FIG. 19

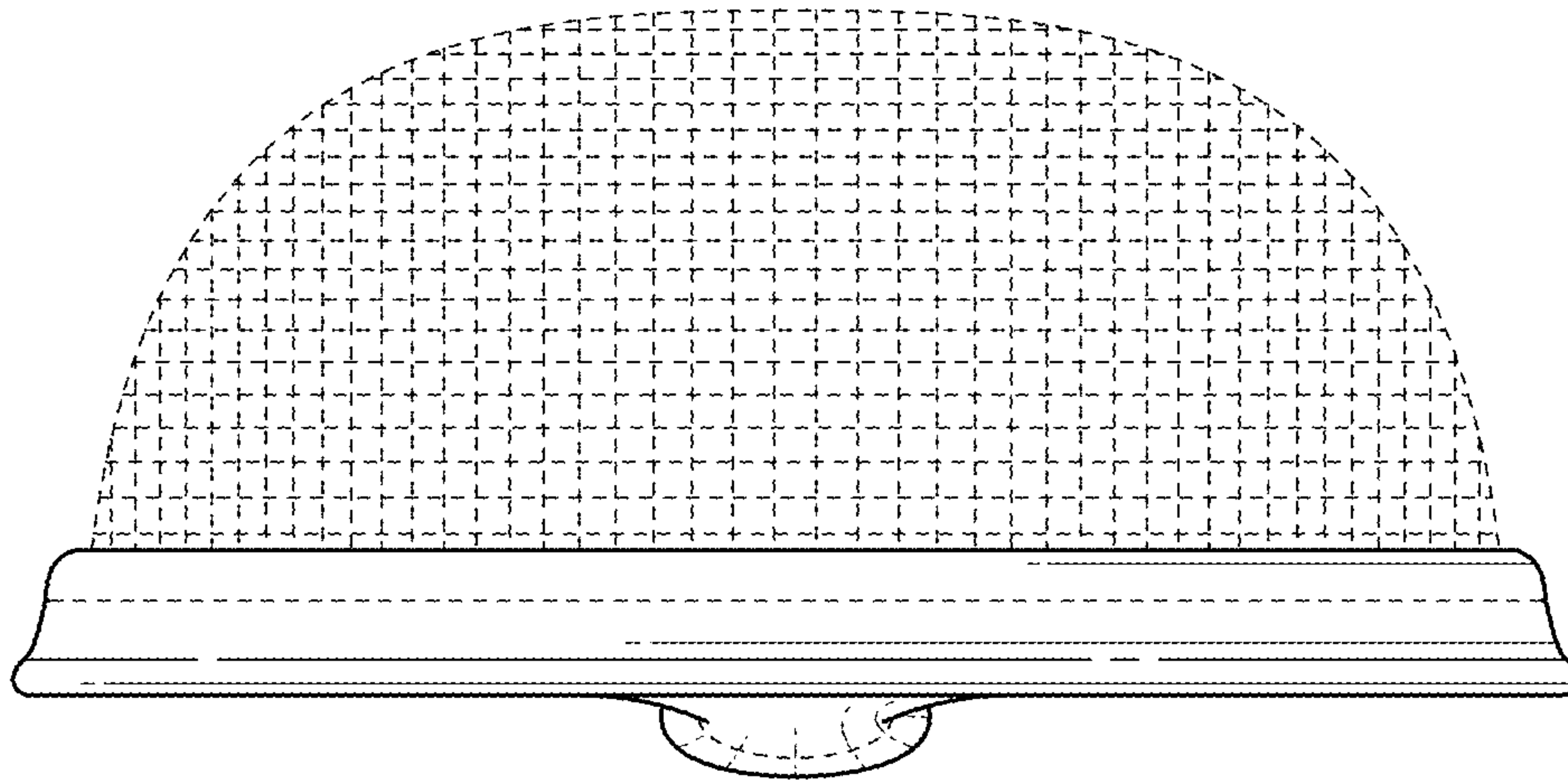


FIG. 20

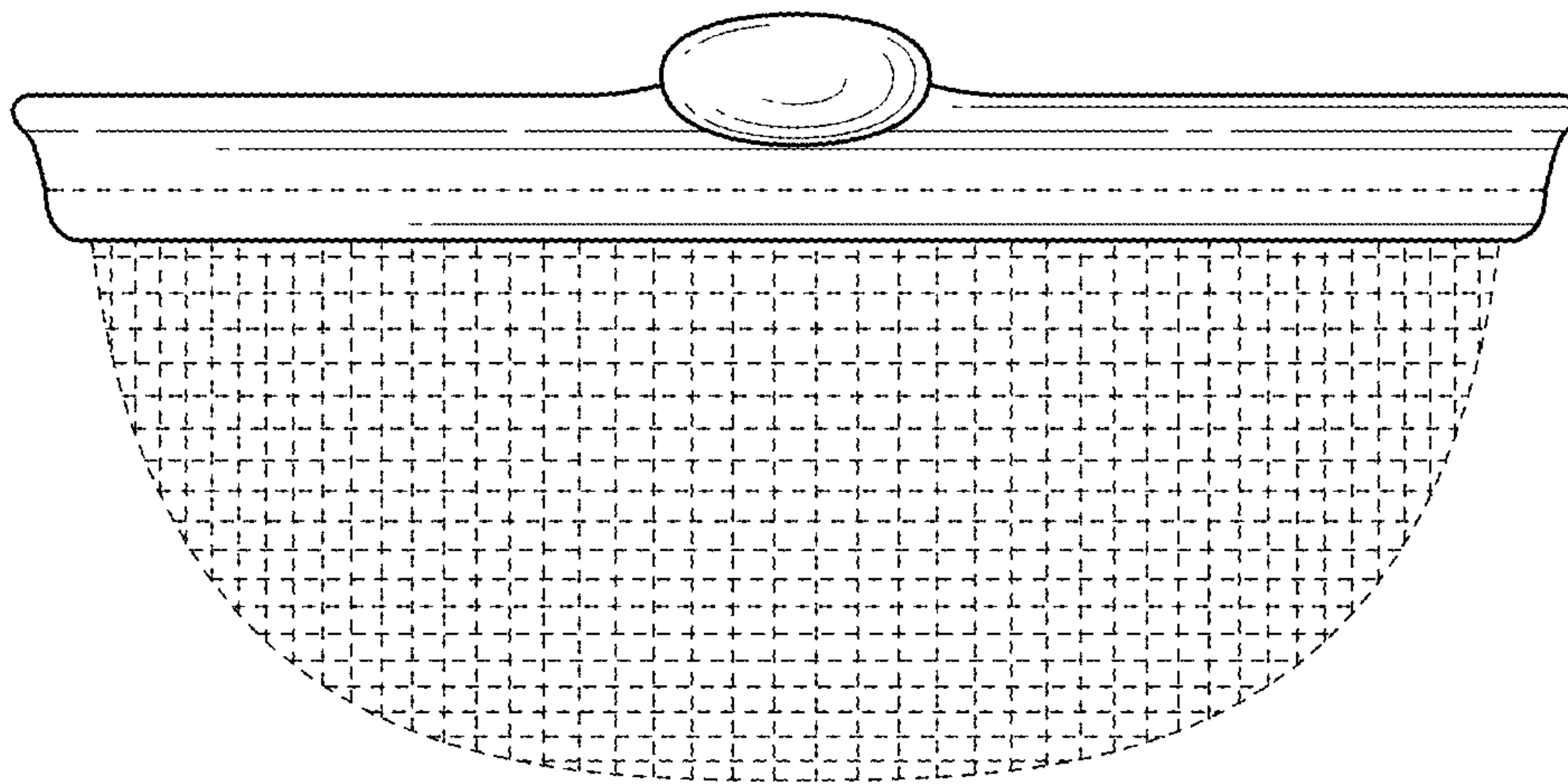


FIG. 21