



US00D984856S

(12) **United States Design Patent**  
**Mummert**

(10) **Patent No.:** **US D984,856 S**  
(45) **Date of Patent:** **\*\* May 2, 2023**

- (54) **ORGANIZER**
- (71) Applicant: **InterDesign, Inc.**, Solon, OH (US)
- (72) Inventor: **Alex John Mummert**, Sullivan, OH (US)
- (73) Assignee: **InterDesign, Inc.**, Solon, OH (US)
- (\*\*) Term: **15 Years**
- (21) Appl. No.: **29/842,010**
- (22) Filed: **Jun. 9, 2022**

4,592,471 A \* 6/1986 Brass ..... A47J 47/16  
211/184  
D314,098 S \* 1/1991 Kee ..... D6/678.4  
D353,400 S \* 12/1994 Goodman ..... D6/407  
D364,074 S \* 11/1995 Yeh ..... D7/637  
D387,949 S \* 12/1997 Bentson ..... 99/426  
D538,106 S \* 3/2007 Julian ..... D7/409

(Continued)

**Related U.S. Application Data**

- (63) Continuation of application No. 29/806,546, filed on Sep. 3, 2021, now Pat. No. Des. 955,778, which is a continuation of application No. 29/747,312, filed on Aug. 21, 2020, now Pat. No. Des. 929,768, which is a continuation of application No. 29/705,578, filed on Sep. 13, 2019, now Pat. No. Des. 895,319, which is a continuation of application No. 29/673,653, filed on Dec. 17, 2018, now Pat. No. Des. 862,949, which is a continuation of application No. 29/595,931, filed on Mar. 3, 2017, now Pat. No. Des. 838,508.

(51) **LOC (14) Cl.** ..... **06-06**

(52) **U.S. Cl.**  
USPC ..... **D7/601; D7/704; D7/409**

(58) **Field of Classification Search**  
USPC ... D7/701–708, 409, 601, 600.1–600.4, 637, D7/638; D6/675.5, 676.5, 677.5, 678.4, D6/680.3, 683.1; D3/306, 304, 314  
CPC ..... A47J 47/16; A47J 47/00; A47J 43/287; A47J 43/00; A47J 43/28; A47B 61/04; A47B 55/02; A47B 57/36; A47G 19/08; A47F 5/01; B65D 21/0211; B65D 21/00; B65D 7/14; B65D 7/00

See application file for complete search history.

(56) **References Cited**

**U.S. PATENT DOCUMENTS**

D189,356 S \* 11/1960 Kolkey ..... D6/678.4  
D237,849 S \* 12/1975 Hade ..... D6/678.3

**OTHER PUBLICATIONS**

<https://www.amazon.com/InterDesign-Classic-Kitchen-Organizer-Skillets/dp/B01NC0EZKN/Amazon.com>, Interdesign Classico Kitchen Cabinet Storage Organizer for Skillets, Pans—Vertical, Chrome, Mar. 1, 2017, (Year: 2017).\*

*Primary Examiner* — Nathan M Johnston

(74) *Attorney, Agent, or Firm* — Calfee, Halter & Griswold LLP

(57) **CLAIM**

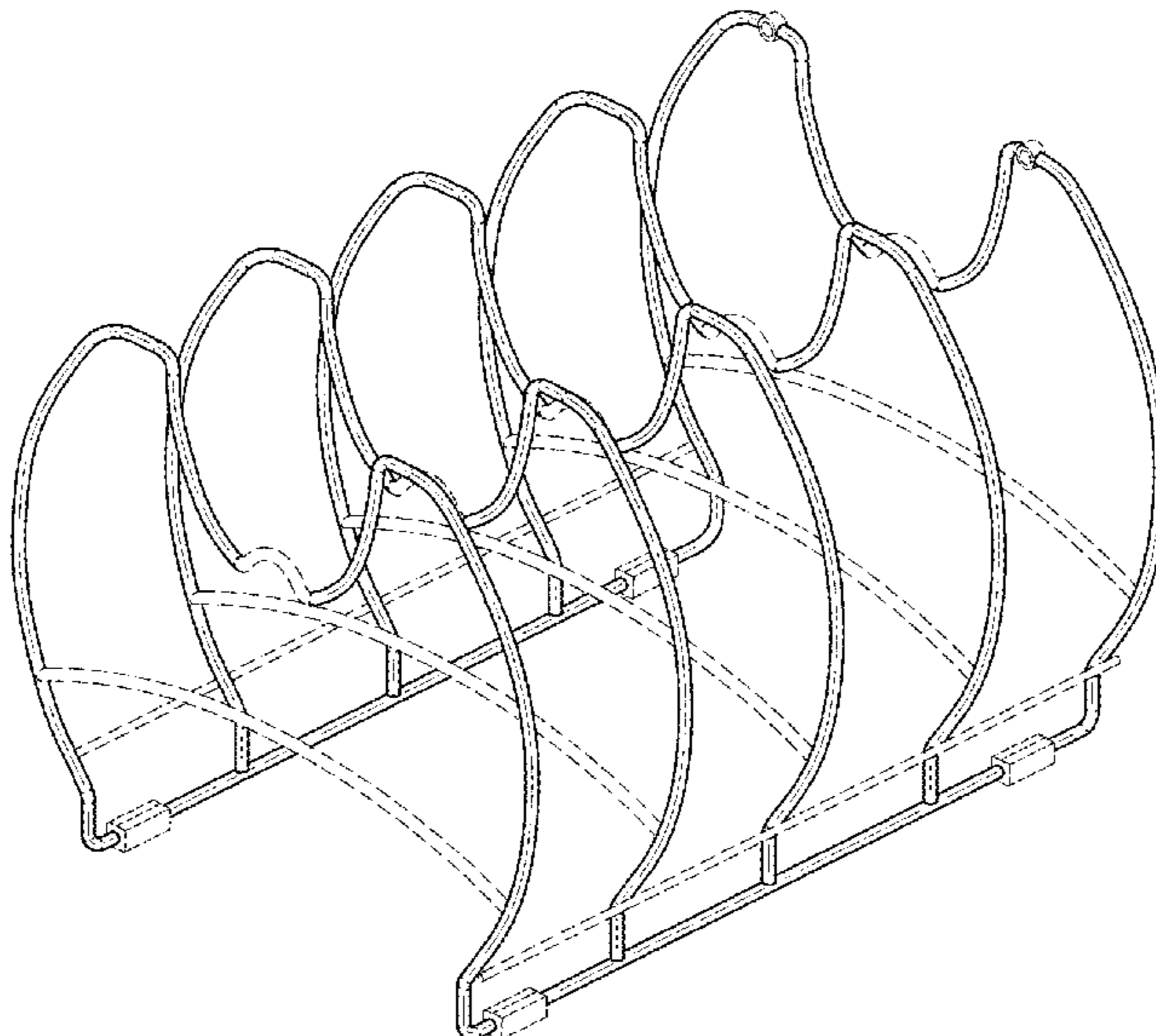
I claim the ornamental design for an organizer, as shown and described.

**DESCRIPTION**

FIG. 1 is a front/right/top perspective view of an organizer (a front/left/top perspective view would be a mirror image thereof);  
FIG. 2 is a rear/left/bottom perspective view thereof (a rear/right/bottom perspective view would be a mirror image thereof);  
FIG. 3 is a front elevational view thereof;  
FIG. 4 is a rear elevational view thereof;  
FIG. 5 is a left side elevational view thereof;  
FIG. 6 is a right side elevational view thereof;  
FIG. 7 is a top plan view thereof; and,  
FIG. 8 is a bottom plan view thereof.

The broken lines show portions of the organizer that form no part of the claimed design.

**1 Claim, 8 Drawing Sheets**



(56)

**References Cited**

U.S. PATENT DOCUMENTS

D572,939	S	*	7/2008	Murray	.....	D6/678.4
D588,378	S	*	3/2009	Goodman	.....	D7/704
D639,613	S	*	6/2011	Goodman	.....	D6/678.4
D658,939	S	*	5/2012	Adams	.....	D7/402
D729,021	S	*	5/2015	Goodman	.....	D7/704
D757,507	S	*	5/2016	Chen	.....	D7/704
D774,356	S	*	12/2016	Maiorana	.....	D7/409
D809,350	S	*	2/2018	Goodman	.....	D7/704
D821,166	S	*	6/2018	Chu	.....	D7/704
D823,078	S	*	7/2018	Tuang	.....	D7/704
D826,660	S	*	8/2018	Klein	.....	D7/704
D835,439	S	*	12/2018	Tsai	.....	D6/678.4
D836,400	S	*	12/2018	Goodman	.....	D7/601
D836,401	S	*	12/2018	Goodman	.....	D7/601
D850,169	S	*	6/2019	Tsai	.....	D6/678.4
D921,404	S	*	6/2021	Kurlander	.....	D6/678.4
D927,945	S	*	8/2021	Cheng	.....	D7/704
2003/0213759	A1	*	11/2003	Compagnucci	.....	A47L 19/04 211/41.11

\* cited by examiner

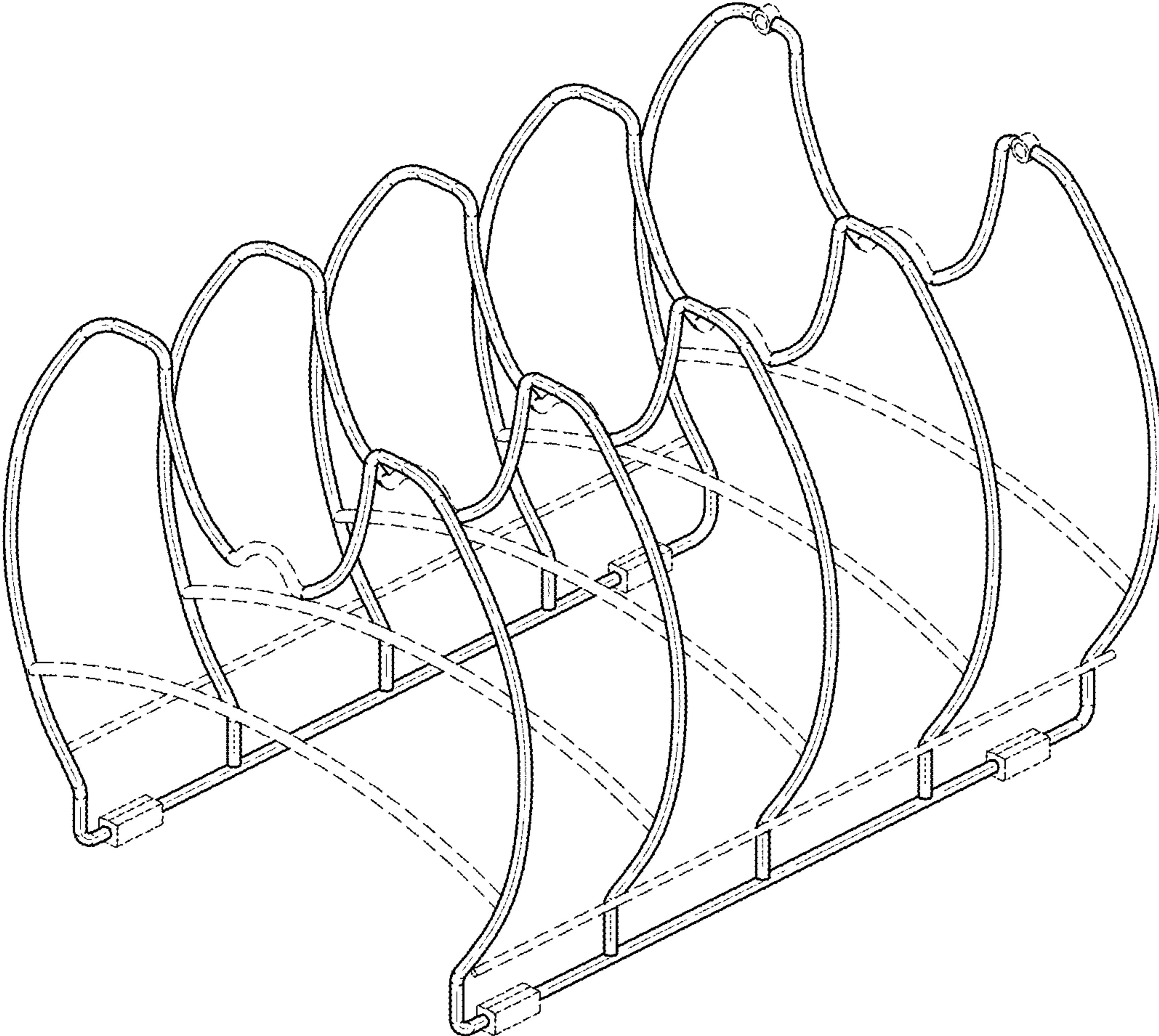


FIG. 1

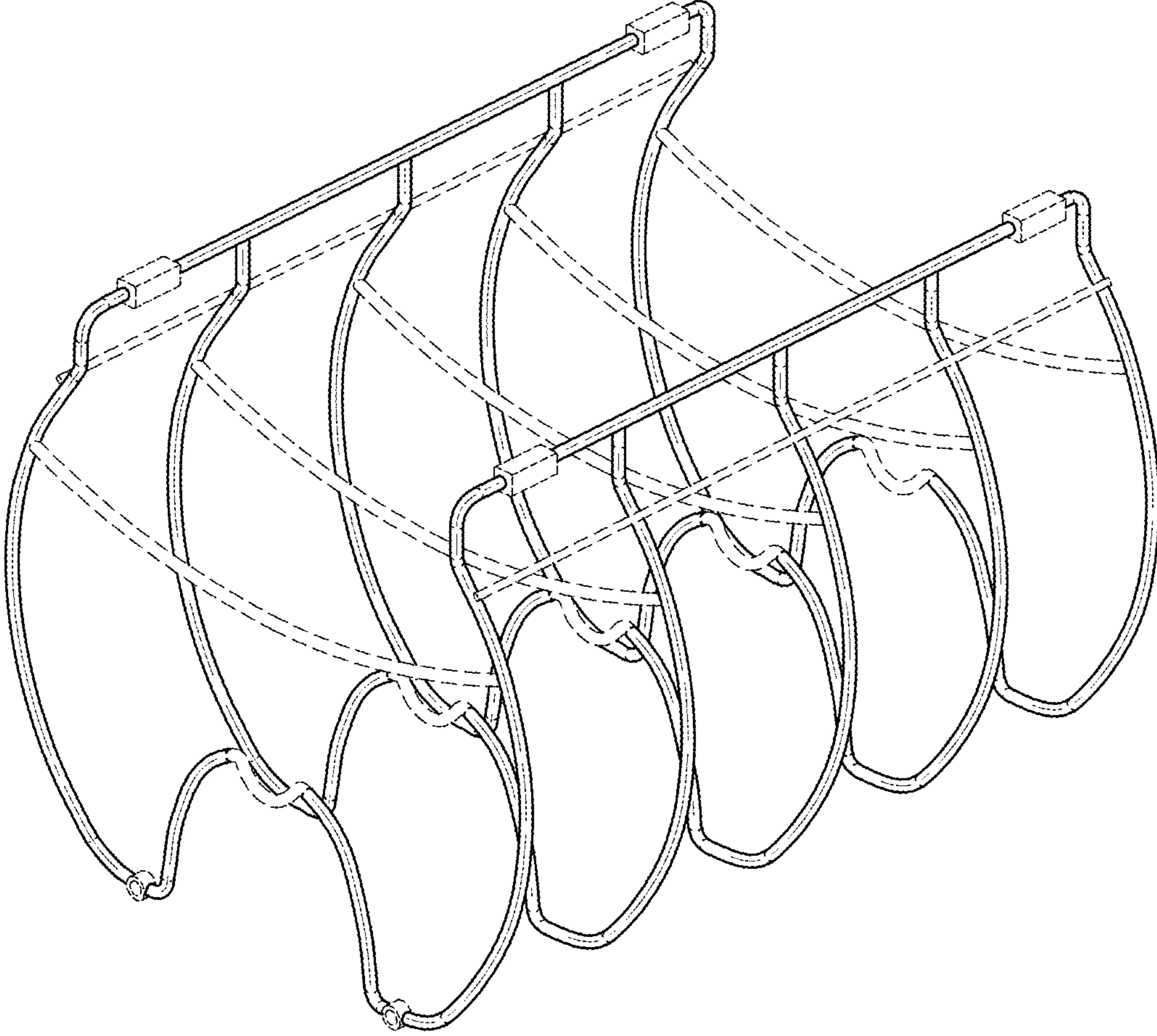


FIG. 2

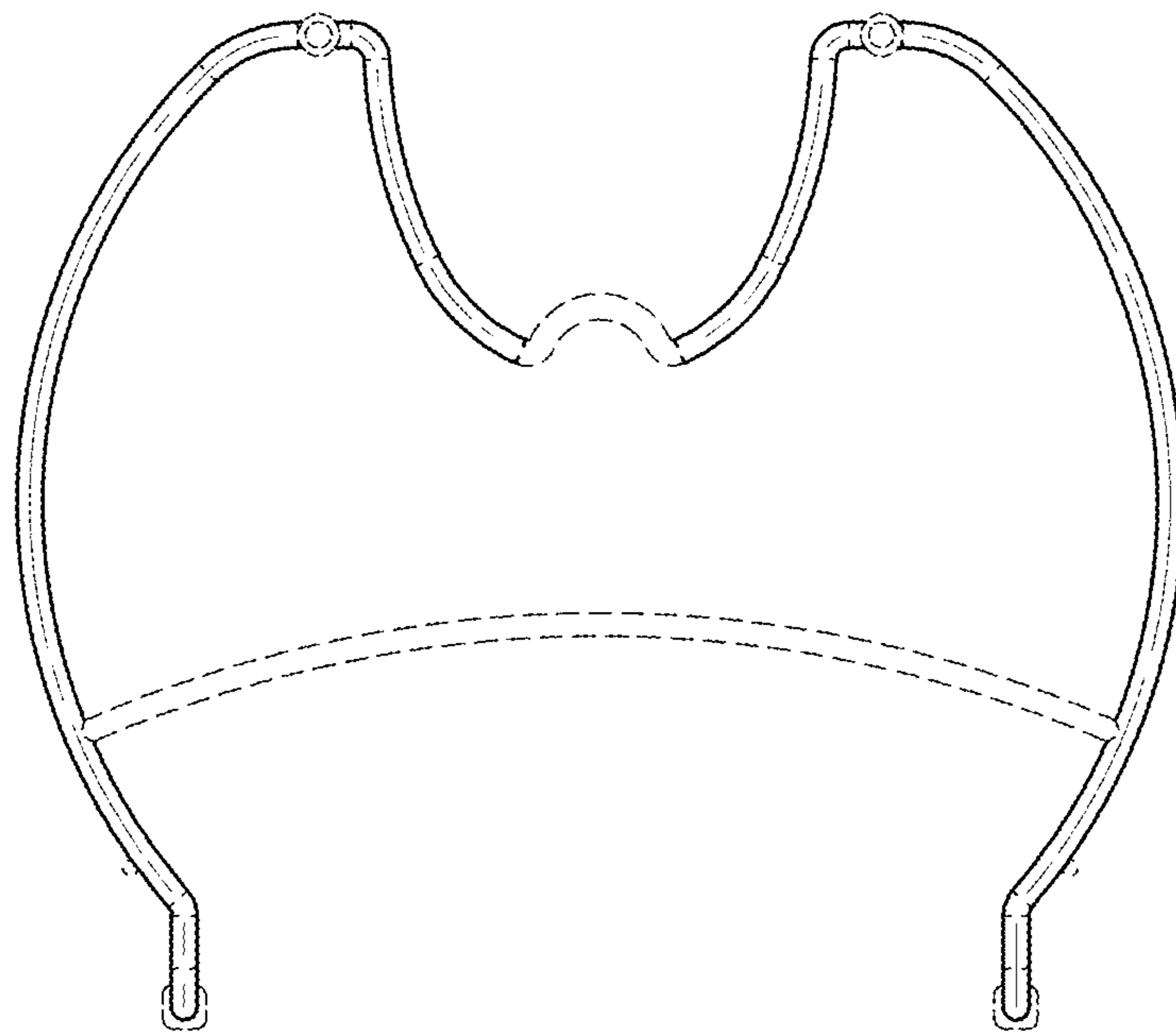


FIG. 3

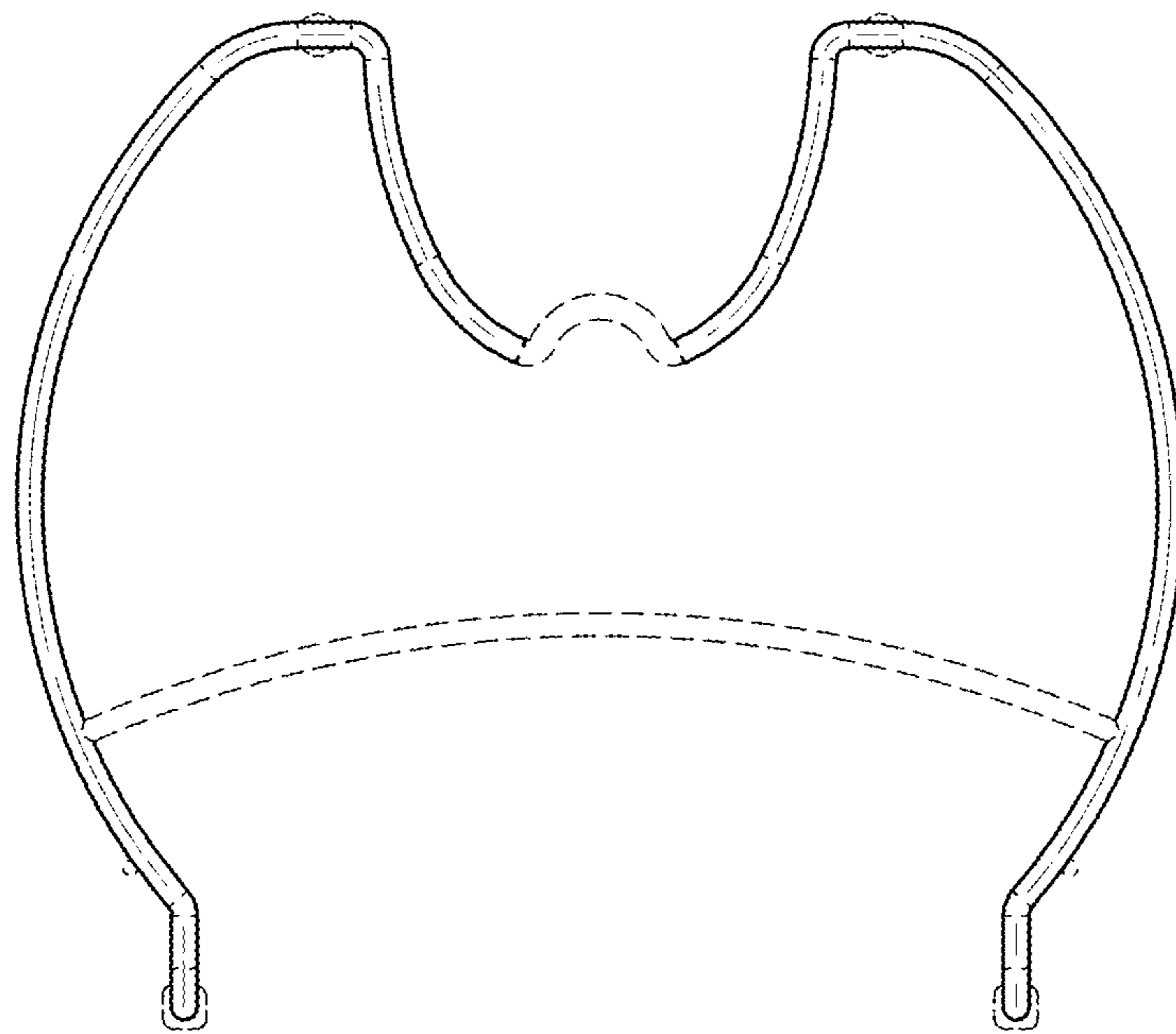


FIG. 4

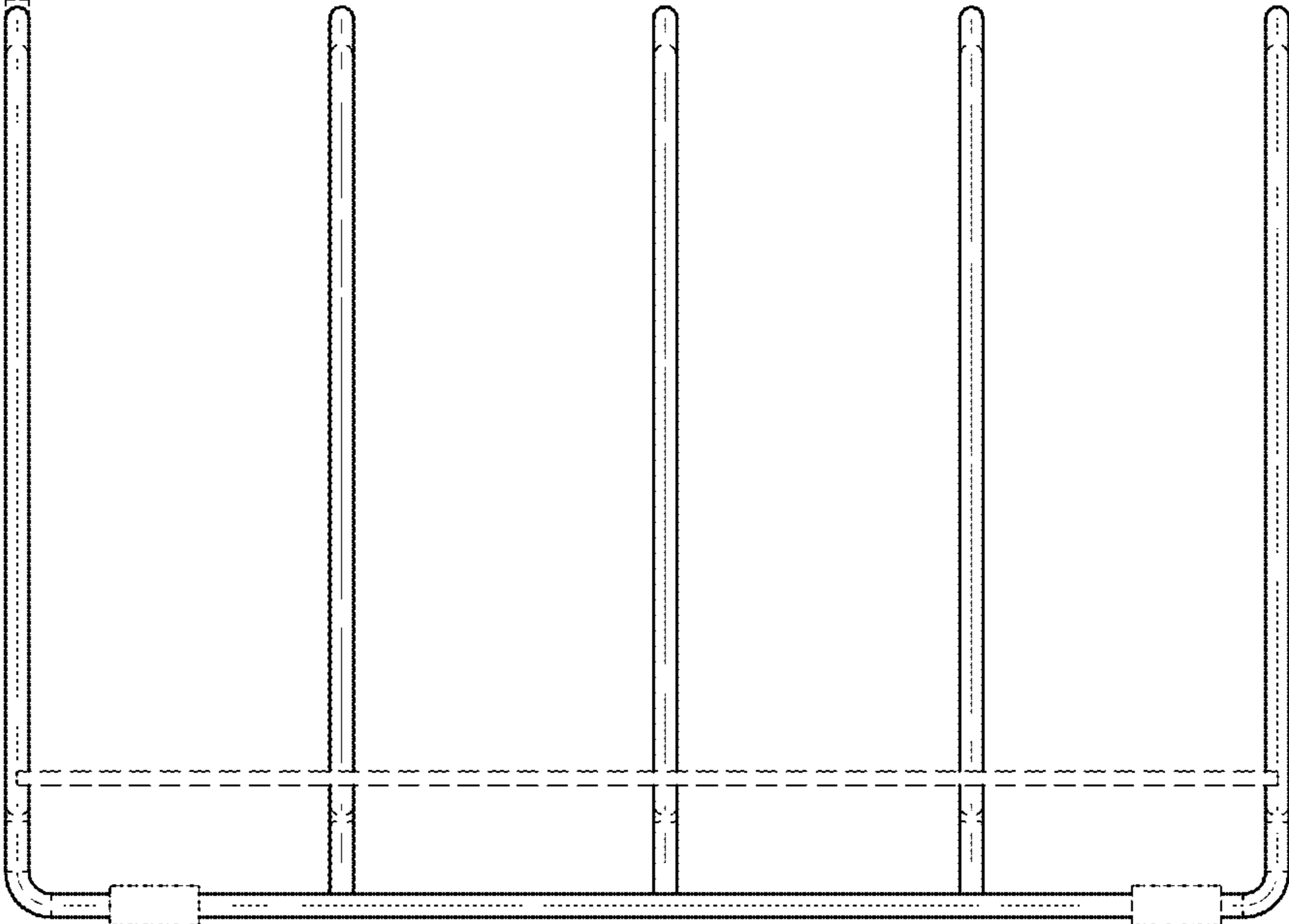


FIG. 5

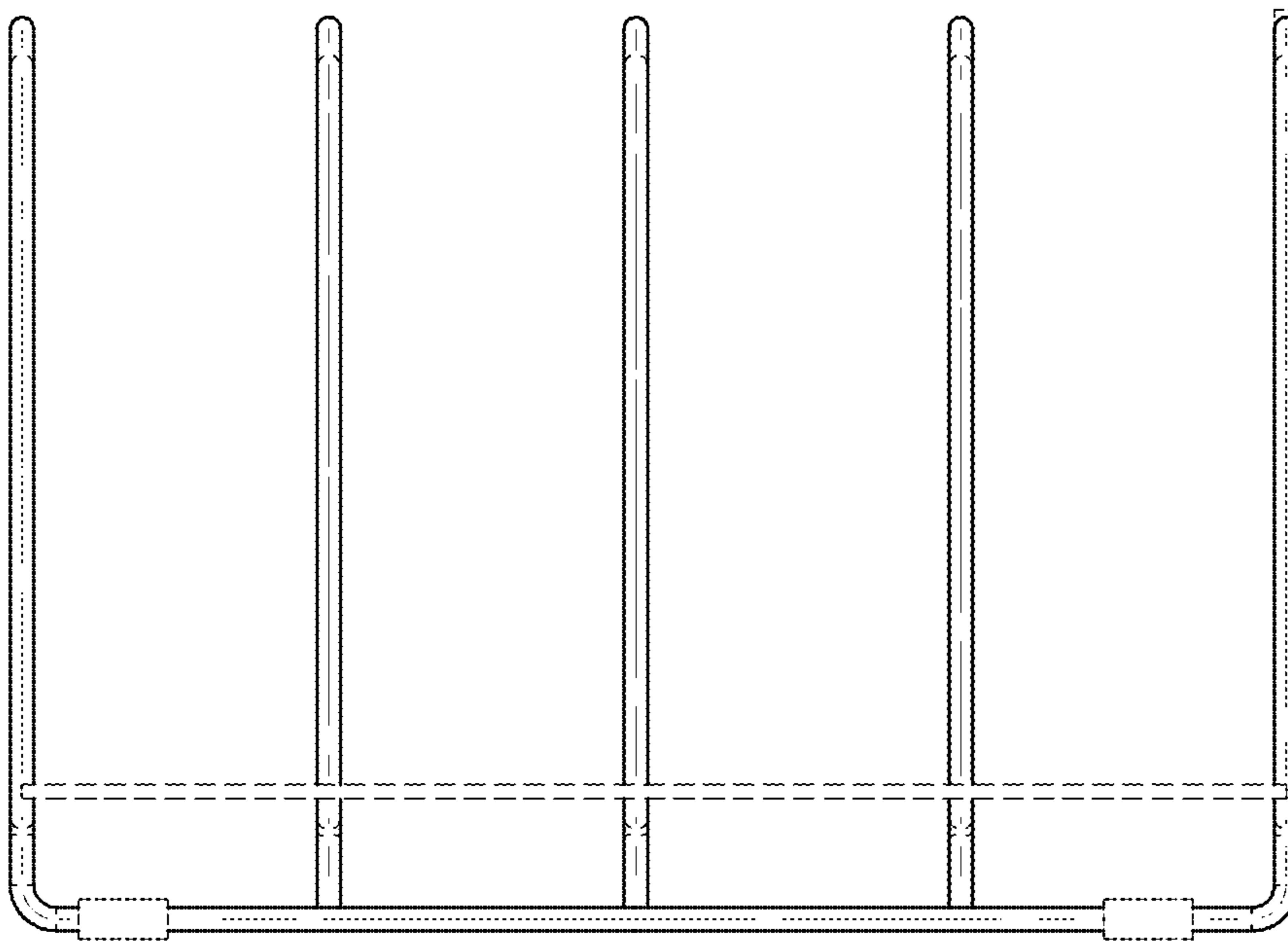


FIG. 6



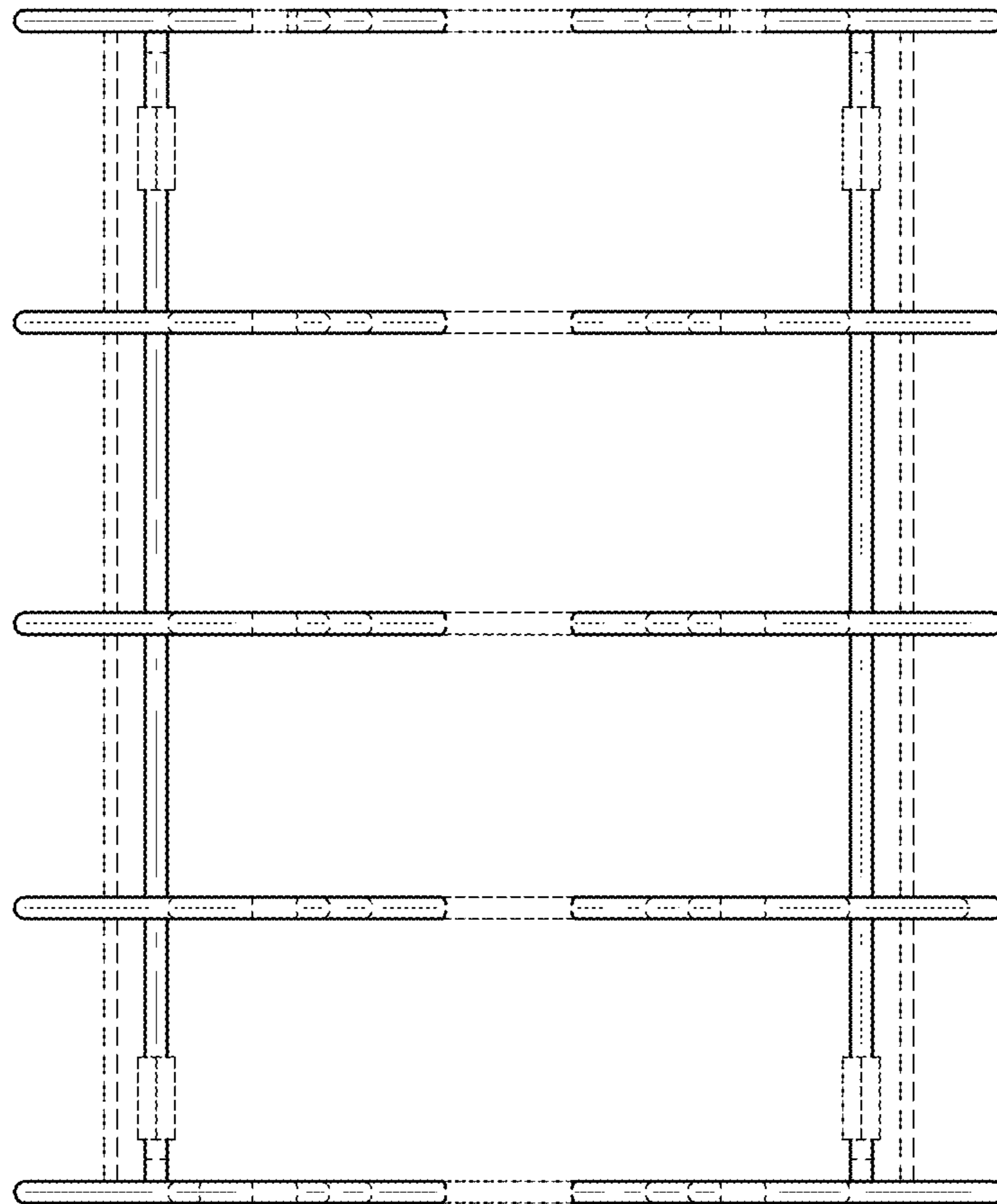


FIG. 7

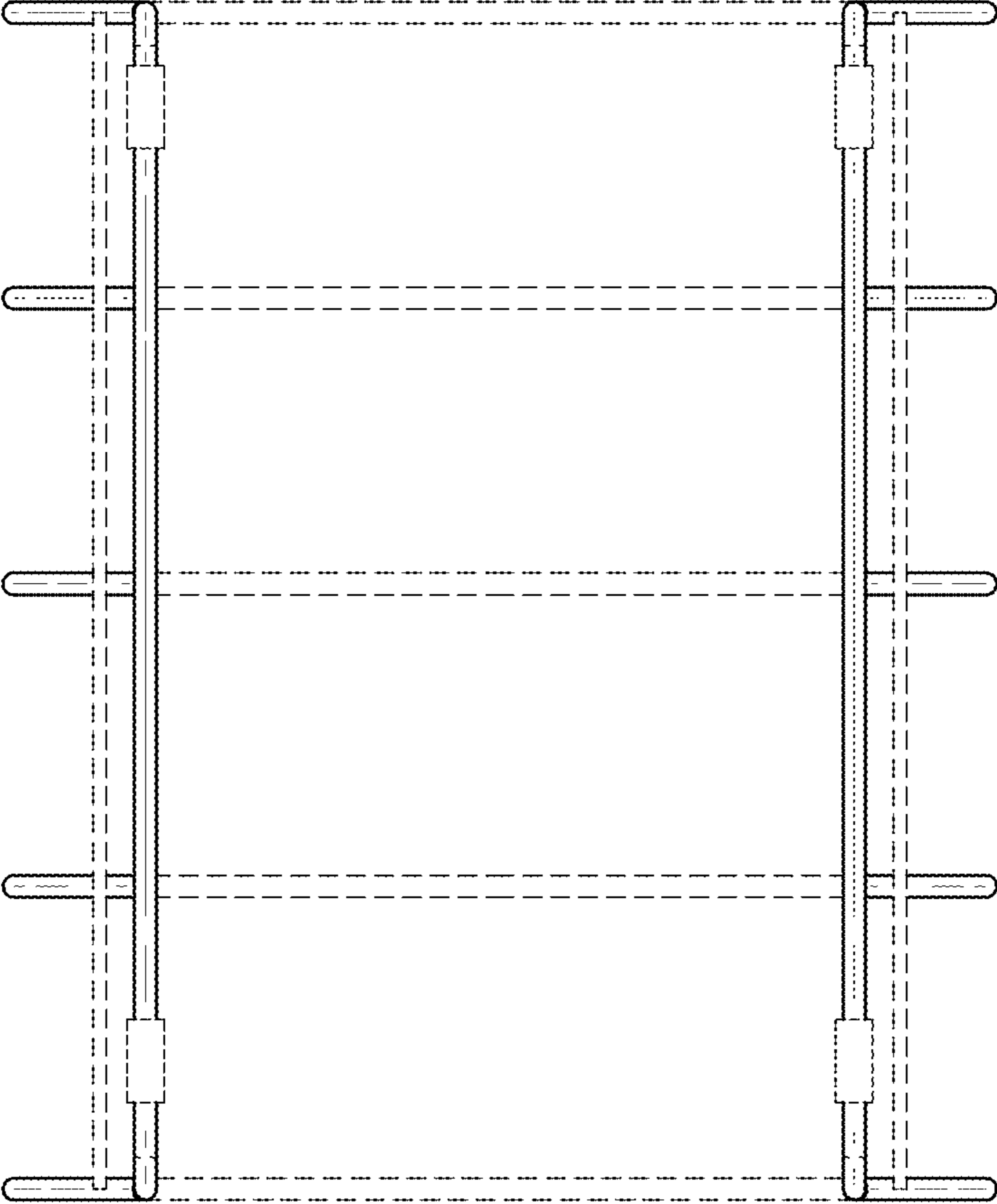


FIG. 8