



US00D984854S

(12) **United States Design Patent** (10) **Patent No.:** **US D984,854 S**  
**Wahl et al.** (45) **Date of Patent:** **\*\* \*May 2, 2023**

(54) **BEVERAGE CONTAINER**

FOREIGN PATENT DOCUMENTS

(71) Applicant: **Pacific Market International, LLC**,  
Seattle, WA (US)

CA 180105 S 12/2018  
CA 185598 S 1/2020

(Continued)

(72) Inventors: **Andrew C. F. Wahl**, Seattle, WA (US);  
**Matthew Kenneth Dolph**, Seattle, WA  
(US)

OTHER PUBLICATIONS

Coleman, "Coleman Company 0.5-Gallon Jug," Jul. 23, 2014,  
Amazon.com, www.amazon.com/dp/BOOM1SB3DW (Year: 2014).

(Continued)

(73) Assignee: **Pacific Market International, LLC**,  
Seattle, WA (US)

(\*) Notice: This patent is subject to a terminal dis-  
claimer.

*Primary Examiner* — Joseph Kukella

*Assistant Examiner* — Arva P Adams

(74) *Attorney, Agent, or Firm* — Merchant & Gould, P.C.

(\*\*) Term: **15 Years**

(57) **CLAIM**

The ornamental design for a beverage container, as shown  
and described.

(21) Appl. No.: **29/802,545**

**DESCRIPTION**

(22) Filed: **Aug. 5, 2021**

FIG. 1 is a top perspective view of a beverage container  
showing our new design.

FIG. 2 is a bottom perspective view thereof.

FIG. 3 is a right side elevational view thereof.

FIG. 4 is a front elevational view thereof.

FIG. 5 is a rear elevational view thereof.

FIG. 6 is a left side elevational view thereof.

FIG. 7 is a top plan view thereof.

FIG. 8 is a bottom plan view thereof.

FIG. 9 is a top perspective view of a second embodiment  
thereof.

FIG. 10 is a bottom perspective view thereof.

FIG. 11 is a right side elevational view thereof.

FIG. 12 is a front elevational view thereof.

FIG. 13 is a rear elevational view thereof.

FIG. 14 is a left side elevational view thereof.

FIG. 15 is a top plan view thereof; and,

FIG. 16 is a bottom plan view thereof.

The broken lines depict portions of the beverage container  
that form no part of the claimed design.

**Related U.S. Application Data**

(62) Division of application No. 29/713,503, filed on Nov.  
15, 2019, now Pat. No. Des. 929,183.

(51) **LOC (14) Cl.** ..... **07-01**

(52) **U.S. Cl.**

USPC ..... **D7/511**; D7/608; D9/532

(58) **Field of Classification Search**

USPC ..... D3/202; D7/300, 300.1, 392.1, 396.2,  
D7/500–505, 507, 509–511, 532, 533,

(Continued)

(56) **References Cited**

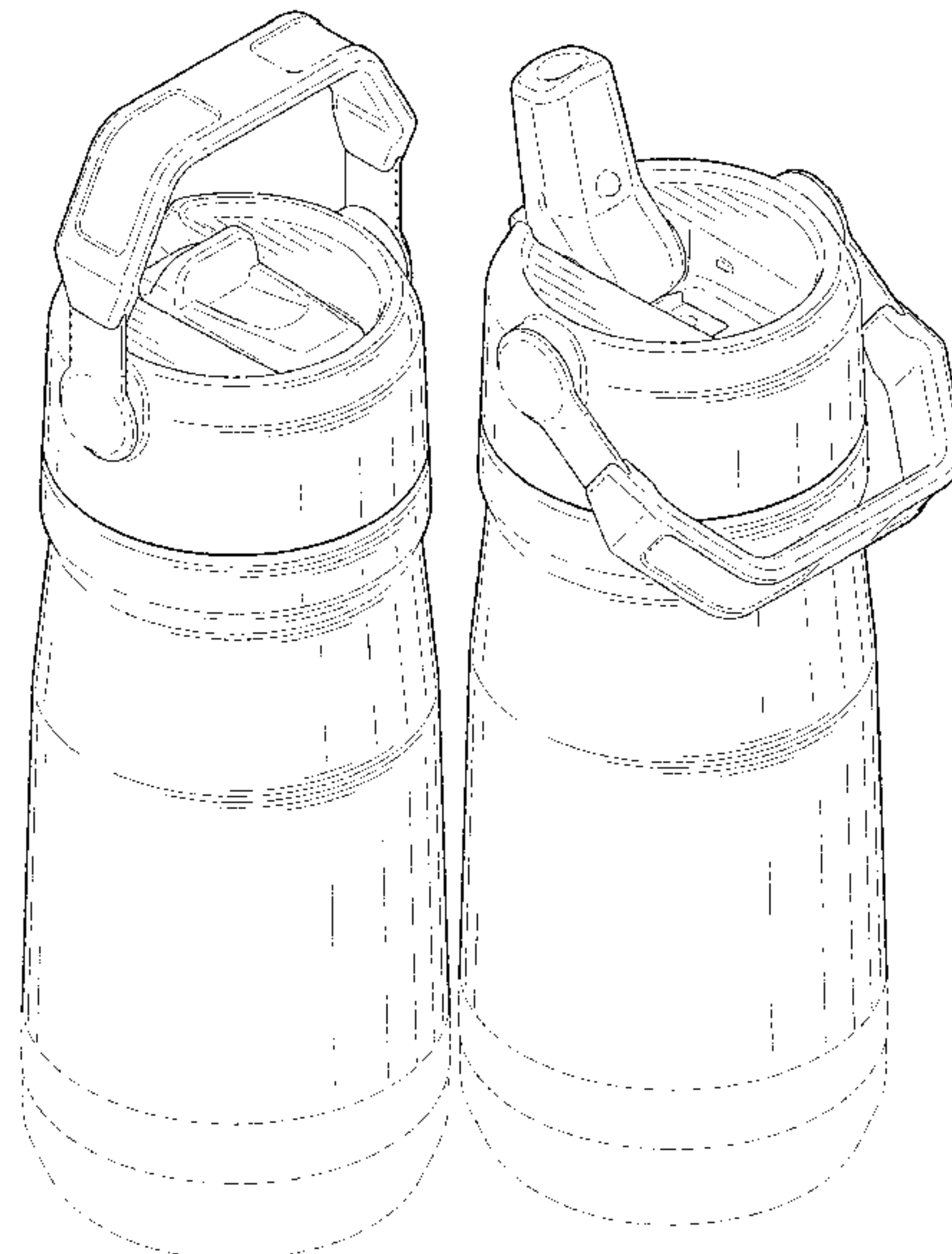
**U.S. PATENT DOCUMENTS**

D233,641 S \* 11/1974 Roche ..... D9/532

D262,856 S \* 2/1982 MacTavish ..... D7/320

(Continued)

**1 Claim, 14 Drawing Sheets**





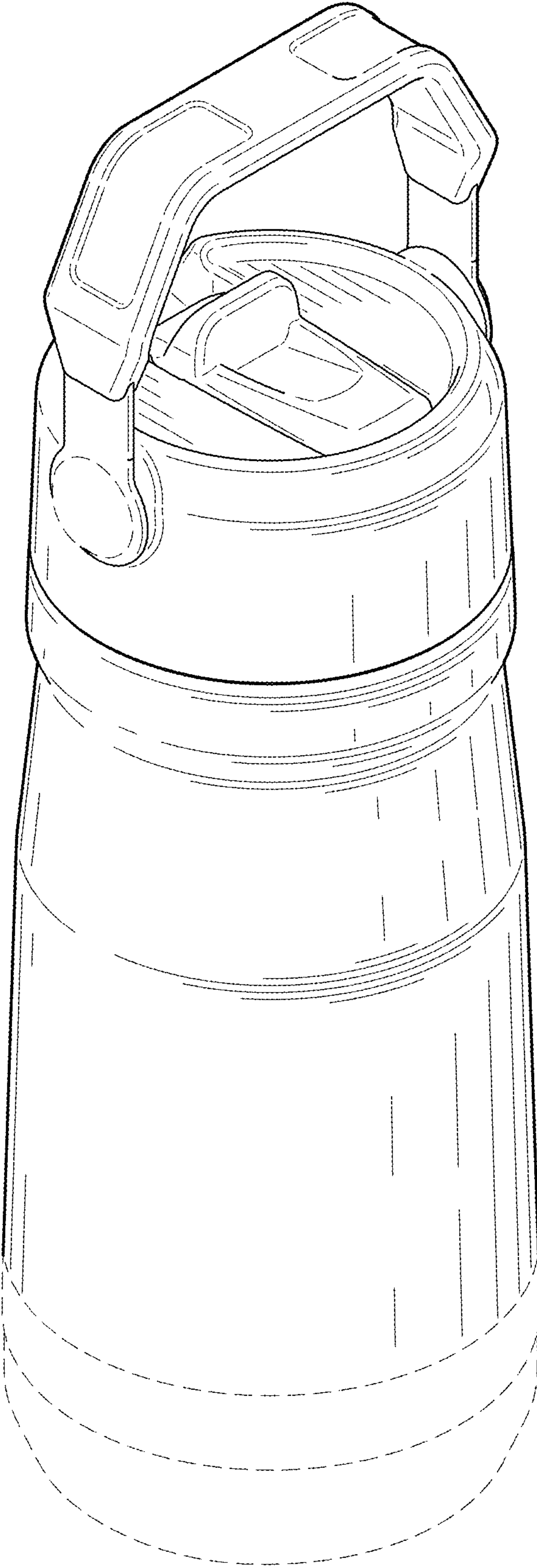


FIG. 1

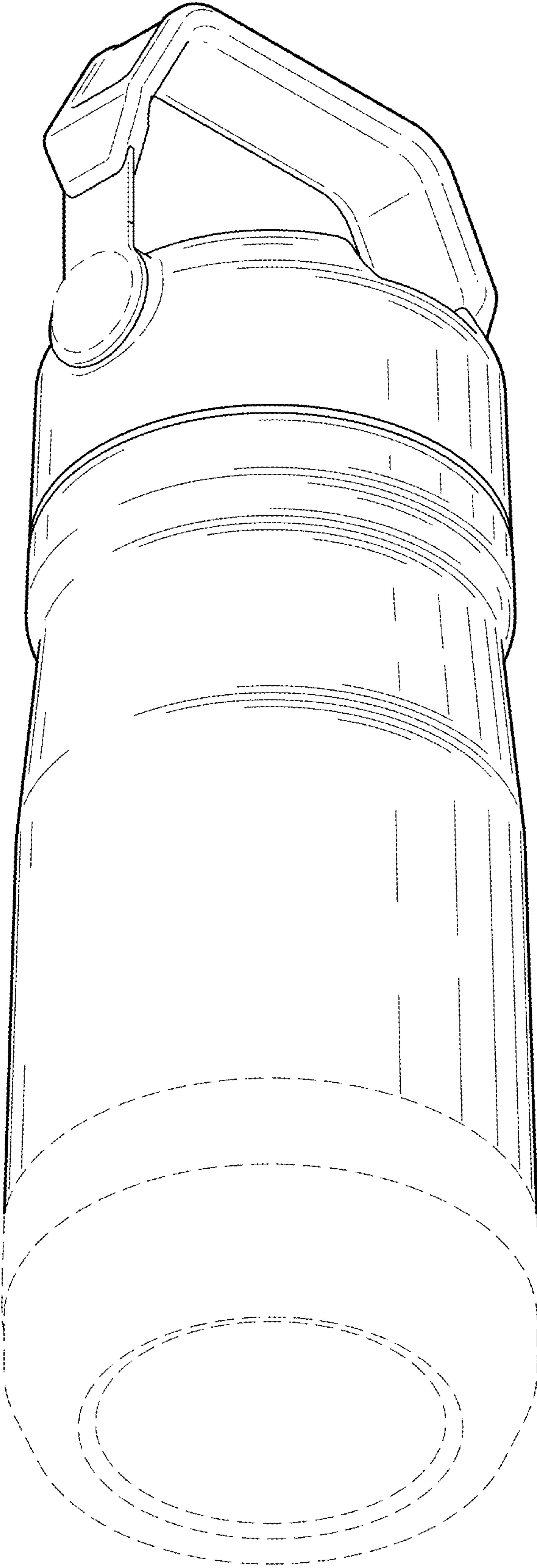


FIG. 2



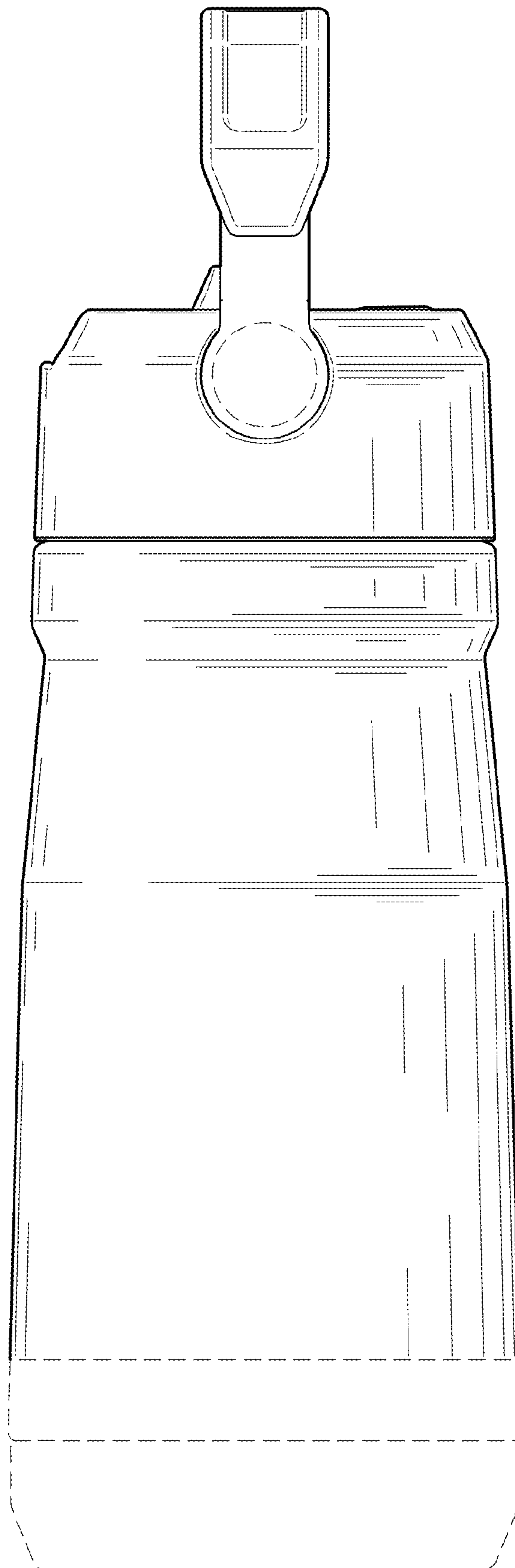


FIG. 3

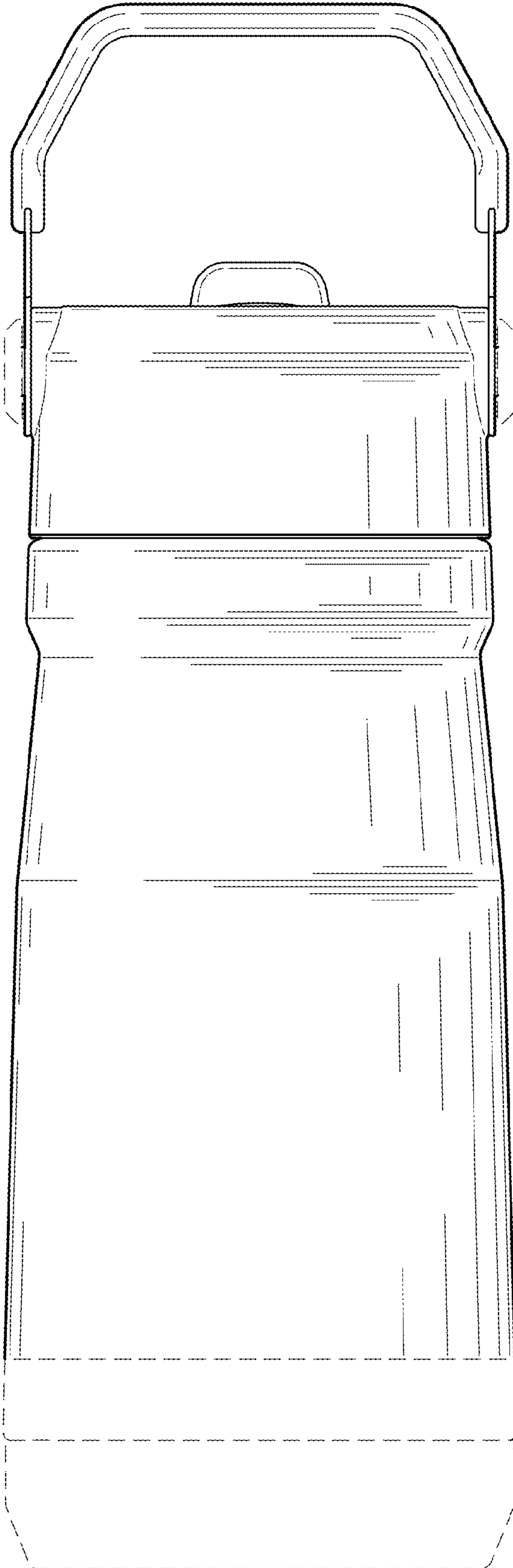


FIG. 4

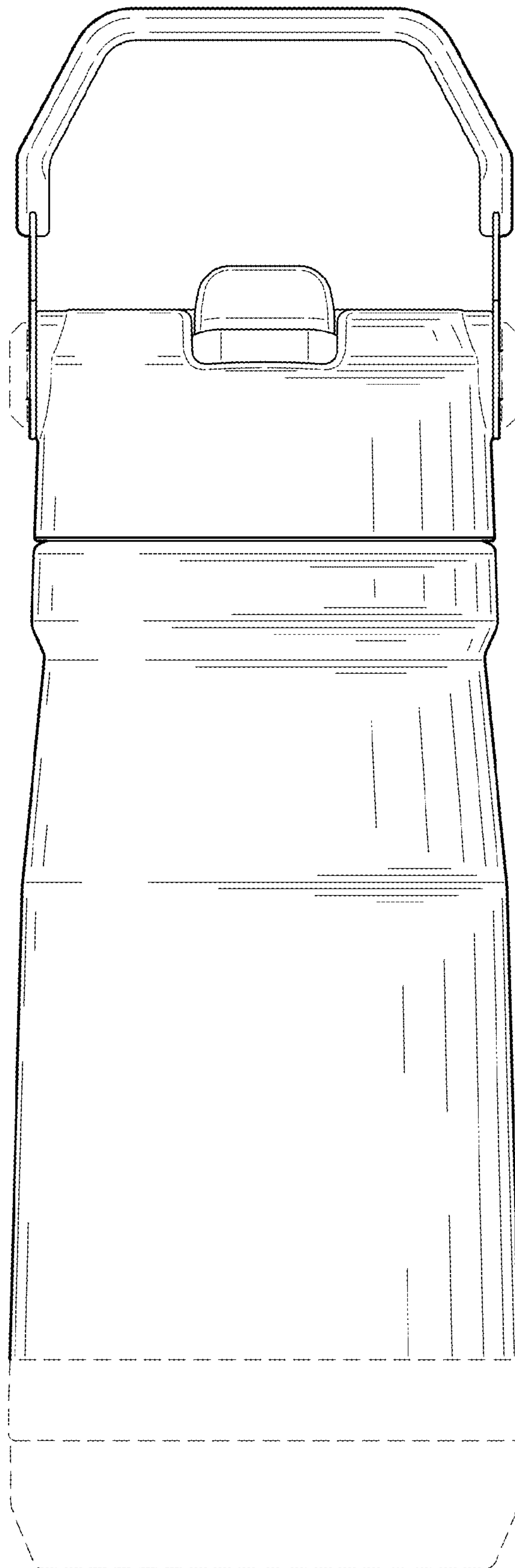


FIG. 5

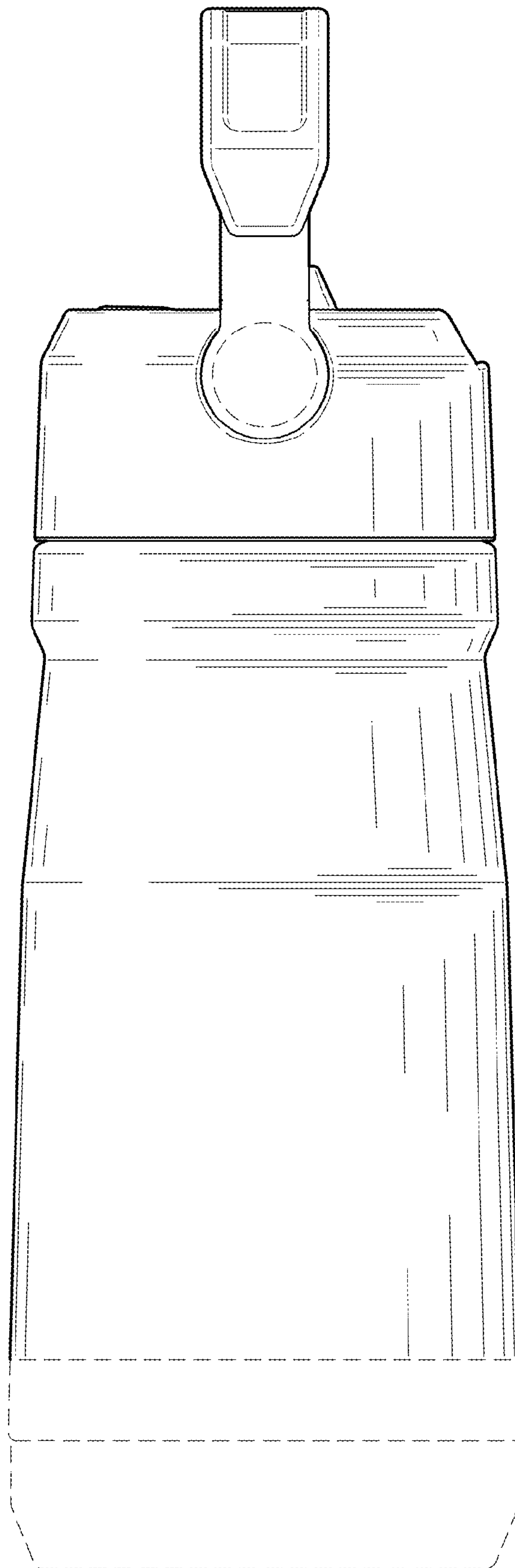


FIG. 6



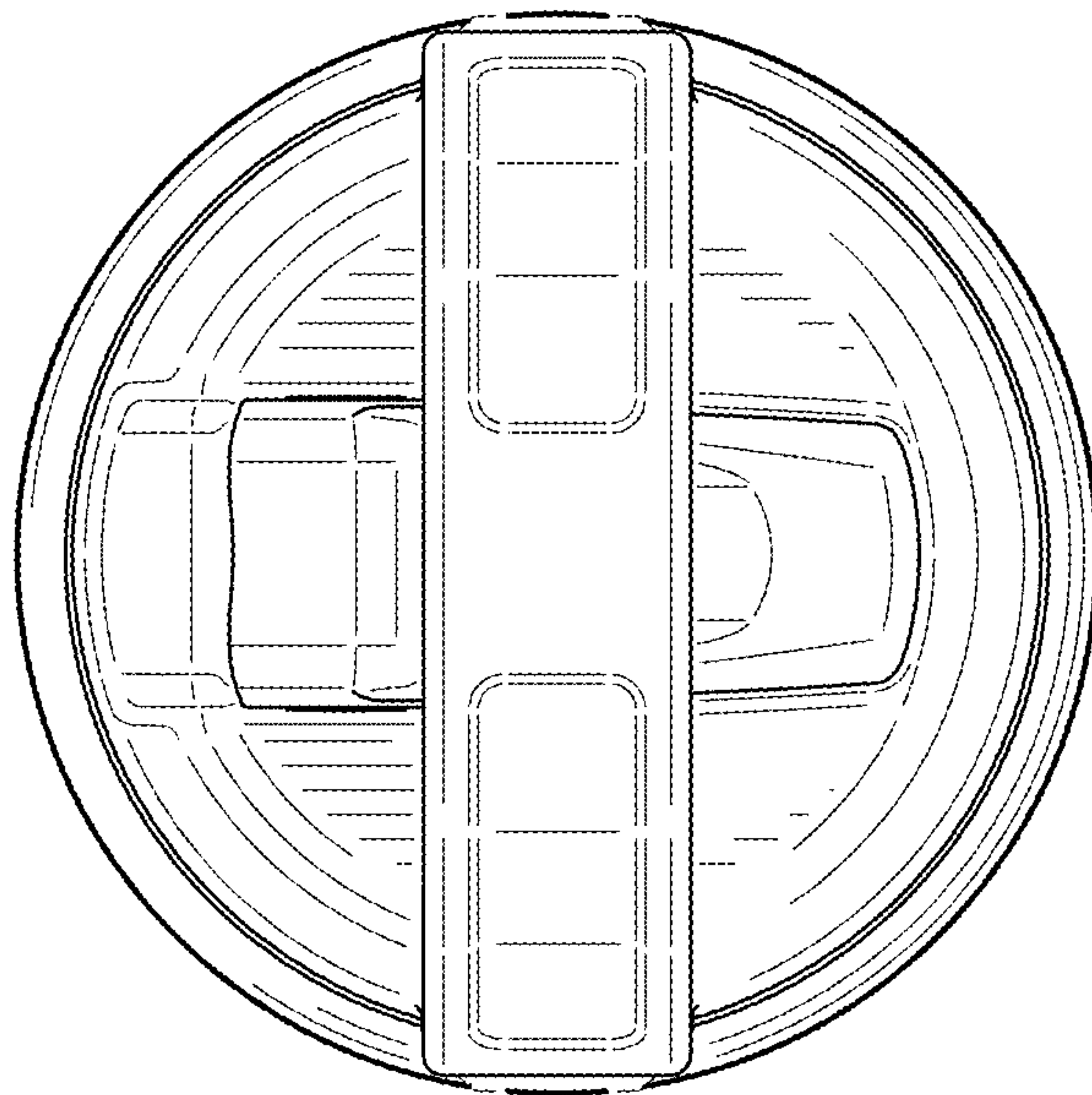


FIG. 7

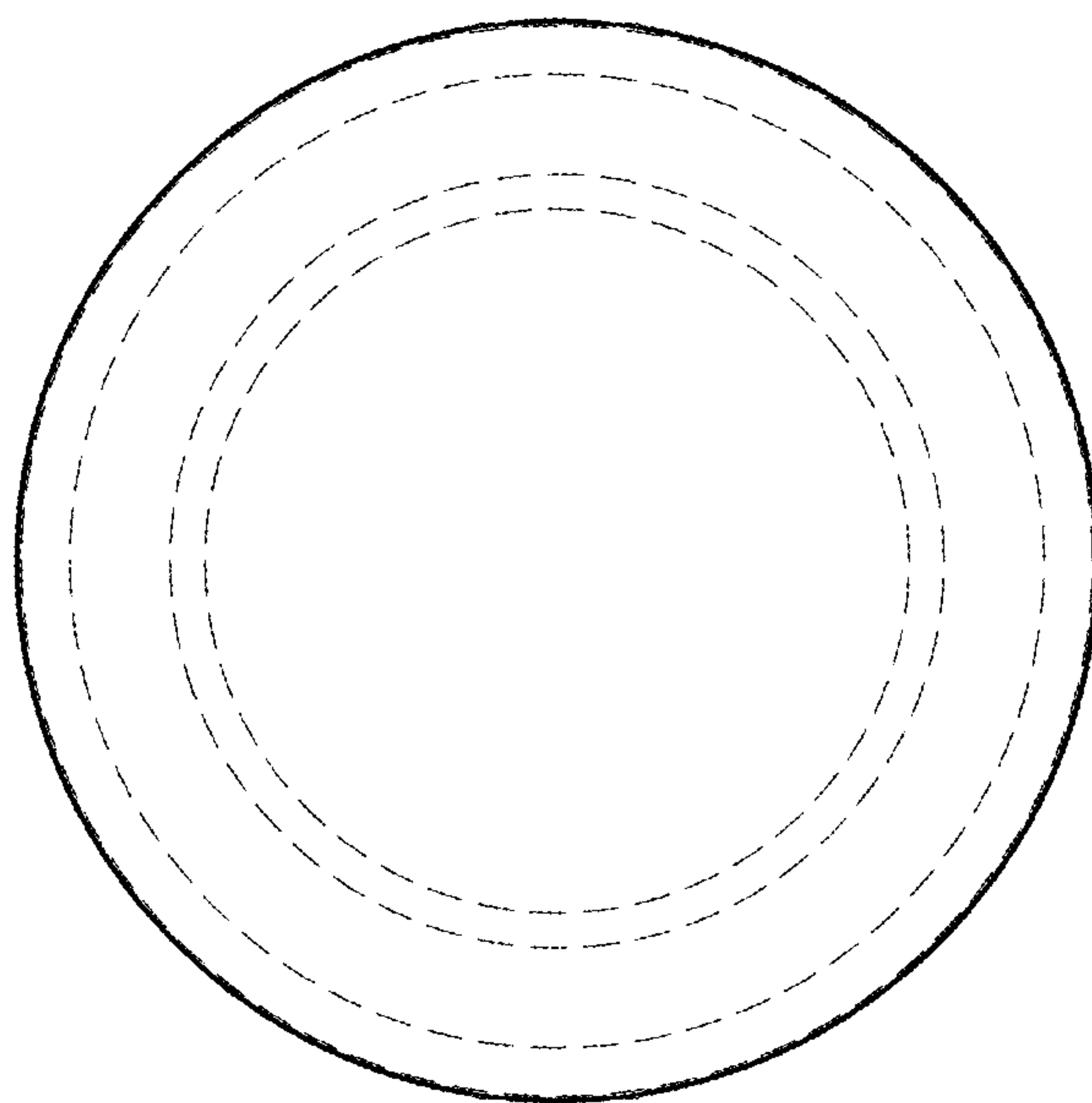


FIG. 8

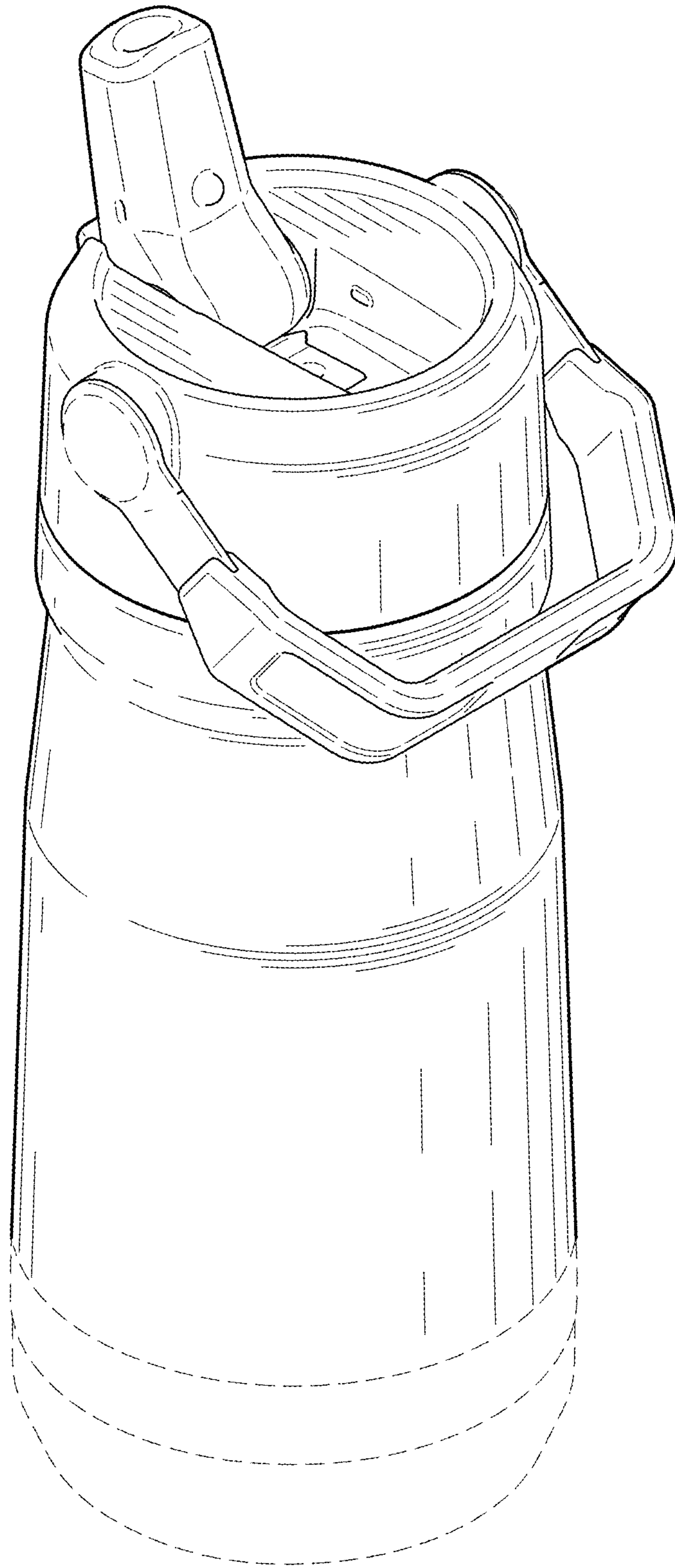


FIG. 9

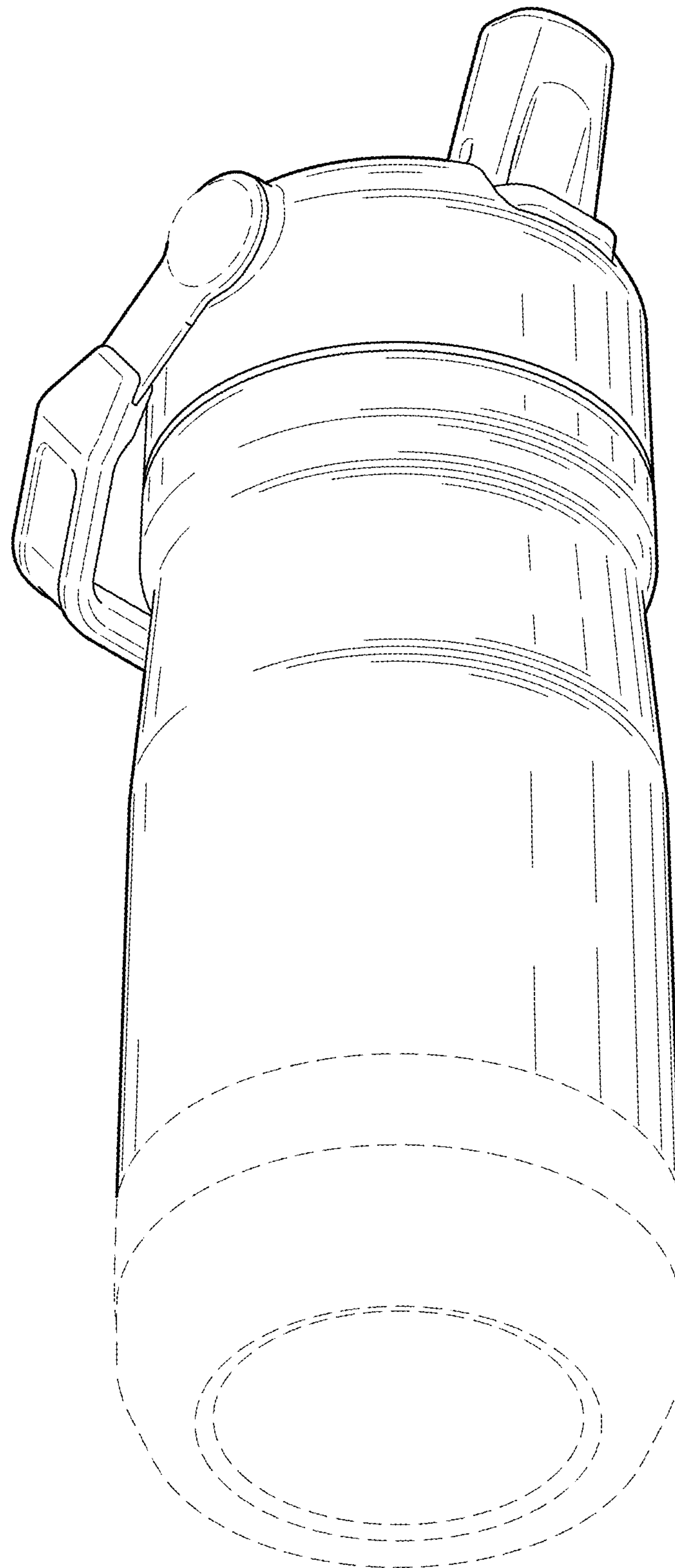


FIG. 10

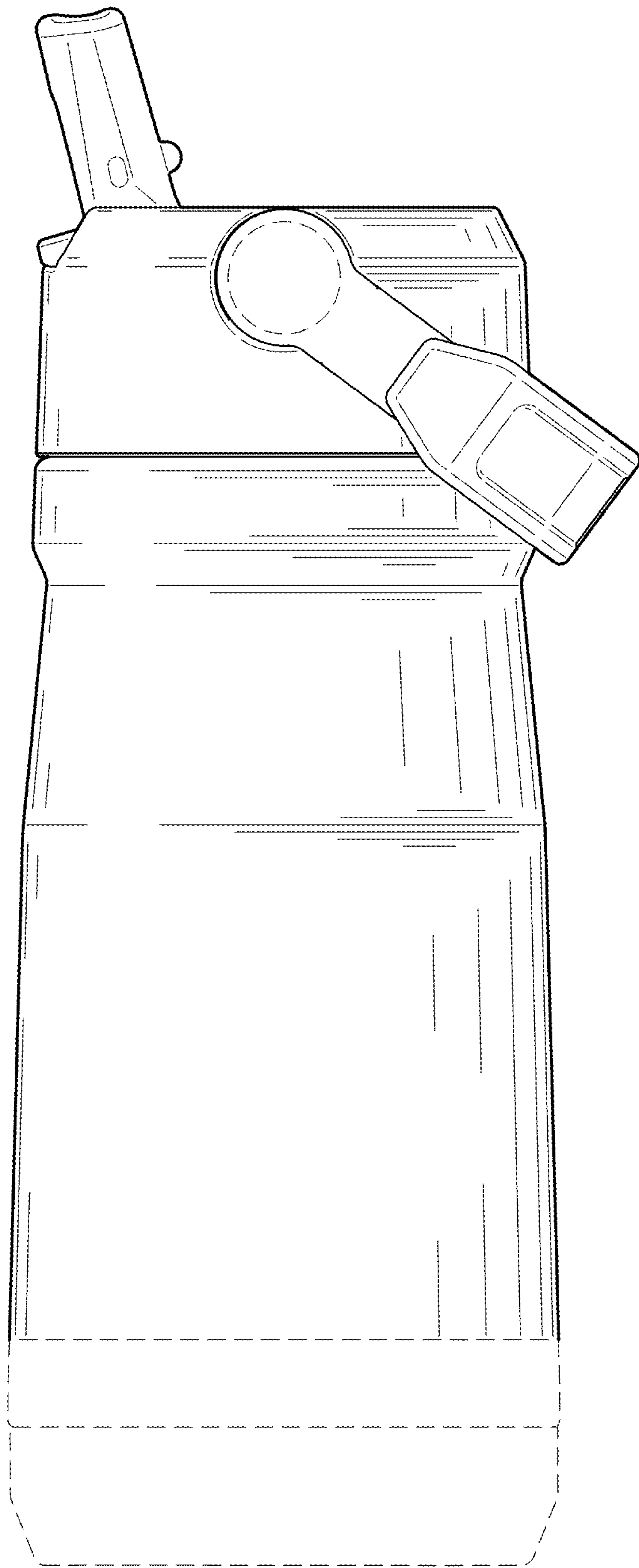


FIG. 11

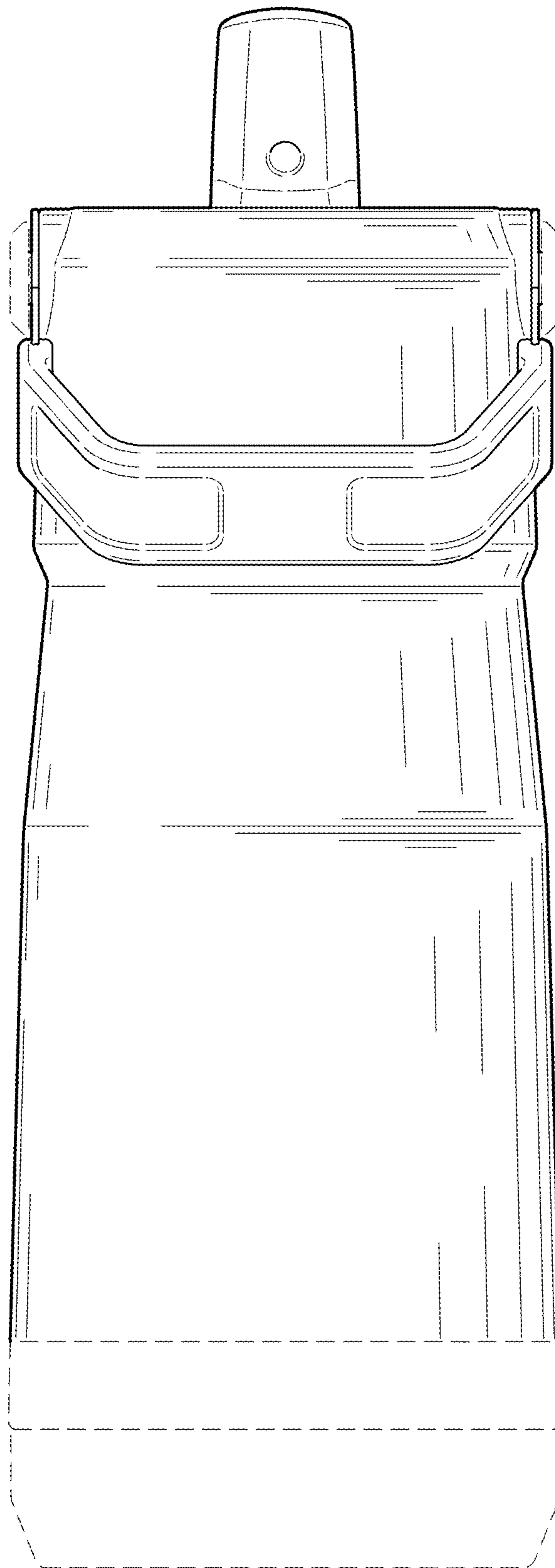


FIG. 12



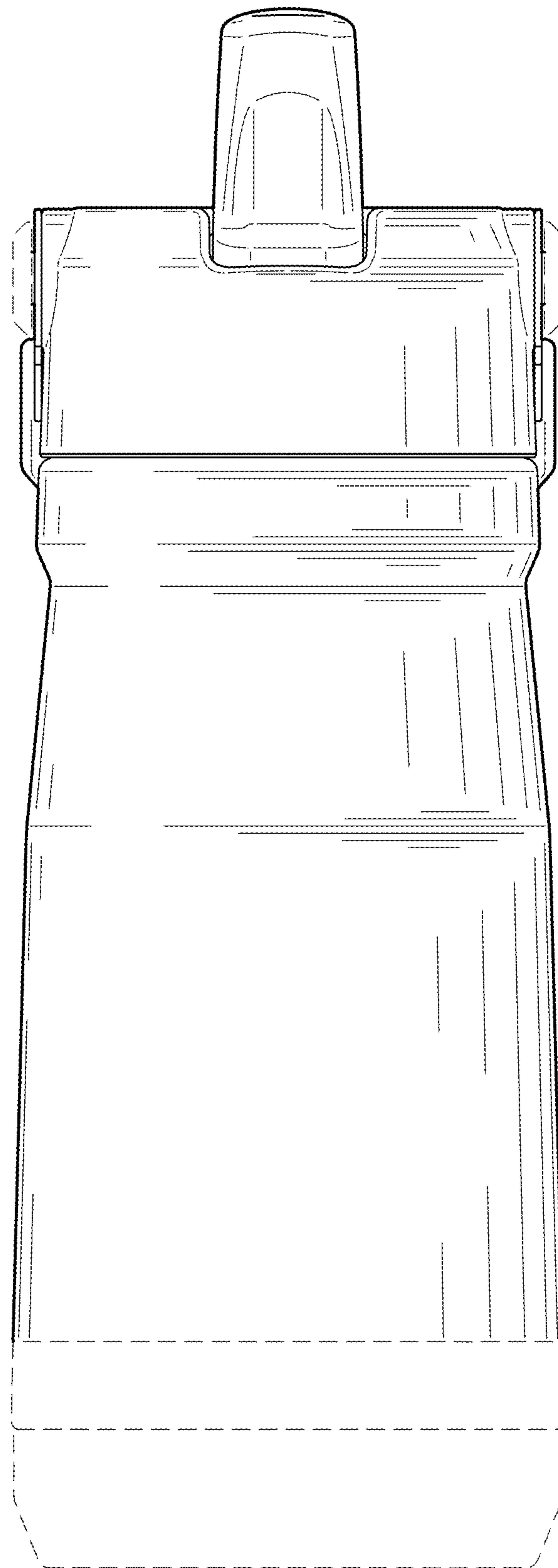


FIG. 13

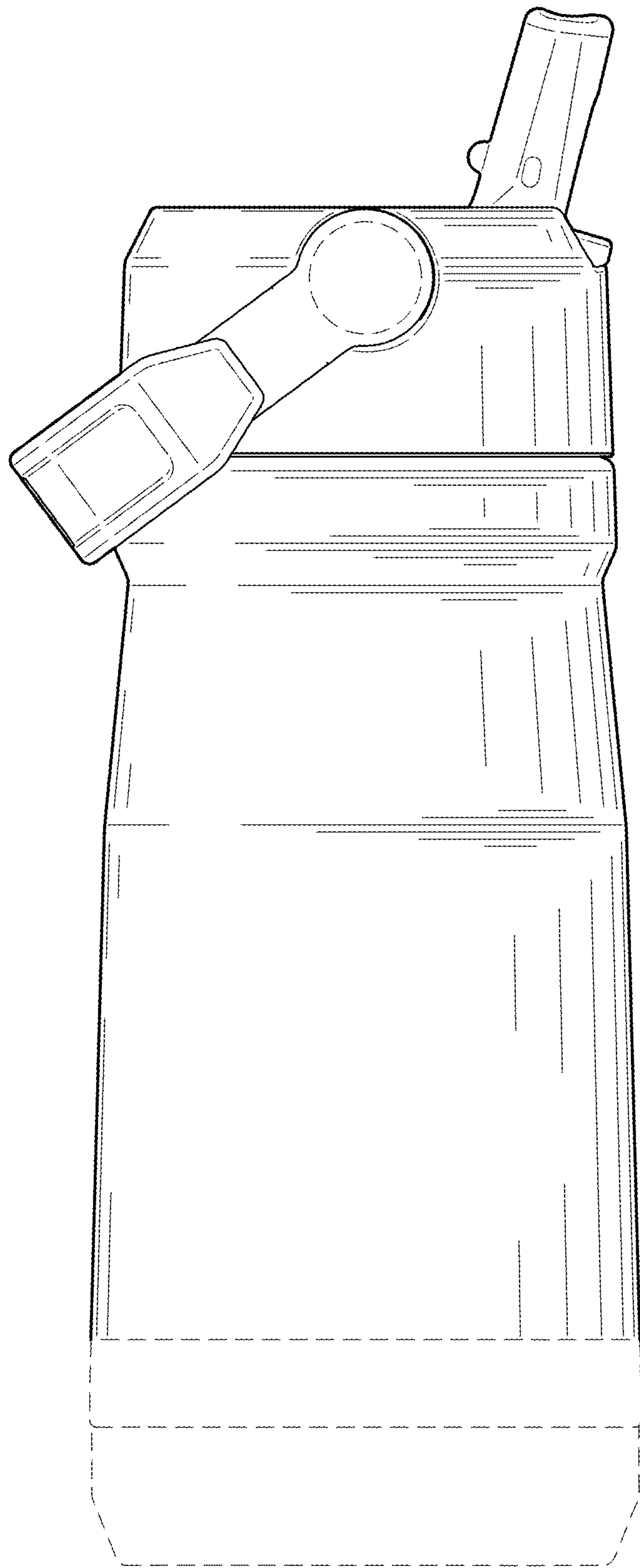


FIG. 14

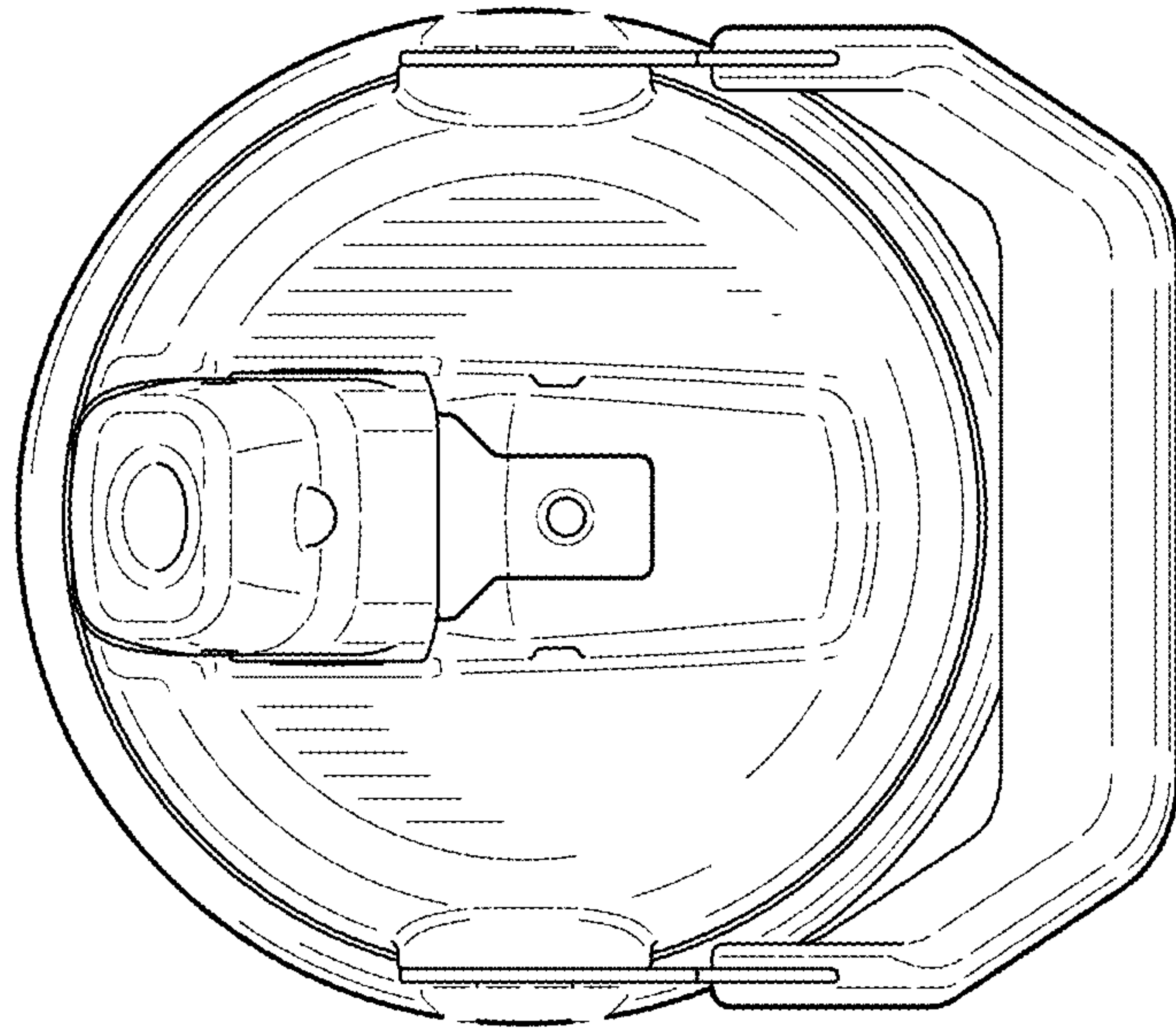


FIG. 15

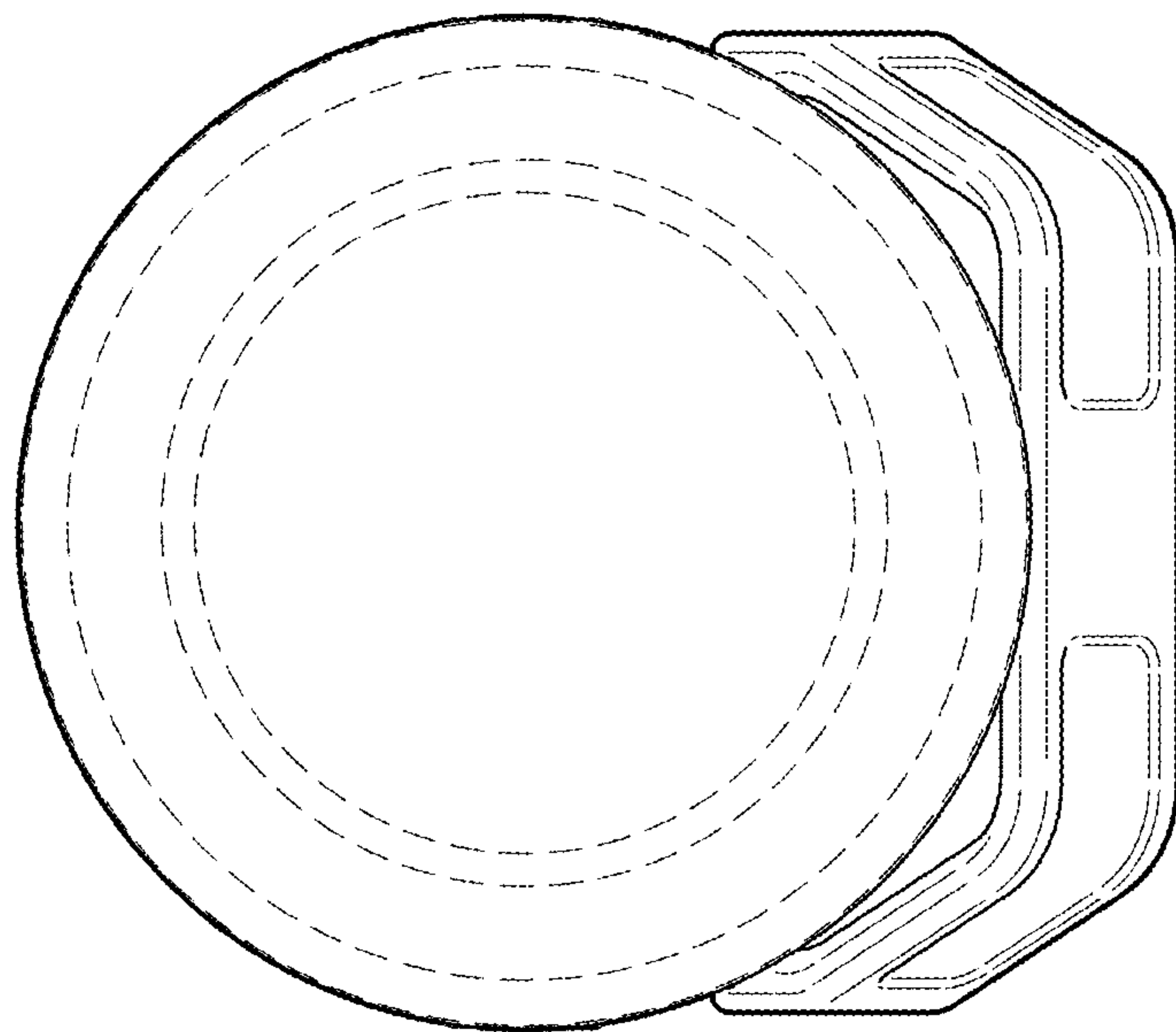


FIG. 16