



US00D984852S

(12) **United States Design Patent** (10) **Patent No.:** **US D984,852 S**
Wadsworth et al. (45) **Date of Patent:** **** May 2, 2023**

(54) **CONTAINER**
(71) Applicant: **Hydrojug, Inc.**, Ogden, UT (US)
(72) Inventors: **Hayden Wadsworth**, Ogden, UT (US);
Jeffrey Steel, Midland Park, NJ (US);
Matthew Earl Meyer, Bountiful, UT (US)

D760,591 S * 7/2016 Groglopo Favetto D9/500
D782,320 S * 3/2017 Juna B65D 63/10
D9/571
D788,544 S * 6/2017 Seiders D9/504
(Continued)

(73) Assignee: **Hydrojug, Inc.**, Ogden, UT (US)

FOREIGN PATENT DOCUMENTS

WO D040515-001 * 6/1997

(**) Term: **15 Years**

OTHER PUBLICATIONS

(21) Appl. No.: **29/804,404**

Camel Bak Carry Cap Bottle, available in Amazon.com, date first available Sep. 11, 2019, site visited Feb. 24, 2023, Internet URL: <https://www.amazon.com/CamelBak-Carry-Cap-Bottle-Insulated/dp/B07XR5KNX5/ref=asc_df_B07XR5KNX5/?tag=hyprod-20&linkCode=df0&hvadid=416675497425&hvpos=&hvnetw=g&hvrnd> (Year: 2019).*

(22) Filed: **Aug. 19, 2021**

(51) **LOC (14) Cl.** **07-01**

(52) **U.S. Cl.** **D7/509; D7/612**
USPC

(Continued)

(58) **Field of Classification Search**
USPC D7/396.2, 300.1, 608, 509, 511, 510,
D7/523, 591, 597, 598, 543, 396.1, 300,
D7/605, 387, 392.1; D9/516, 529, 541,
D9/544, 545, 546, 549, 559, 772, 777,
D9/778, 780, 434, 435, 443
CPC .. A47G 19/22; A47G 19/228; A47G 19/2216;
A47G 19/2222; A47G 19/2205; A47G
19/2266; A47G 19/2272; A47G 23/0241;
A45F 3/16; A45F 3/18; A47J 36/14;
B65D 23/102

Primary Examiner — Andrew Kerr
Assistant Examiner — Courtney J Clark-Rasheed
(74) *Attorney, Agent, or Firm* — Preston P. Frischknecht;
Project CIP

See application file for complete search history.

(57) **CLAIM**

The ornamental design for a container, as shown and described.

(56) **References Cited**

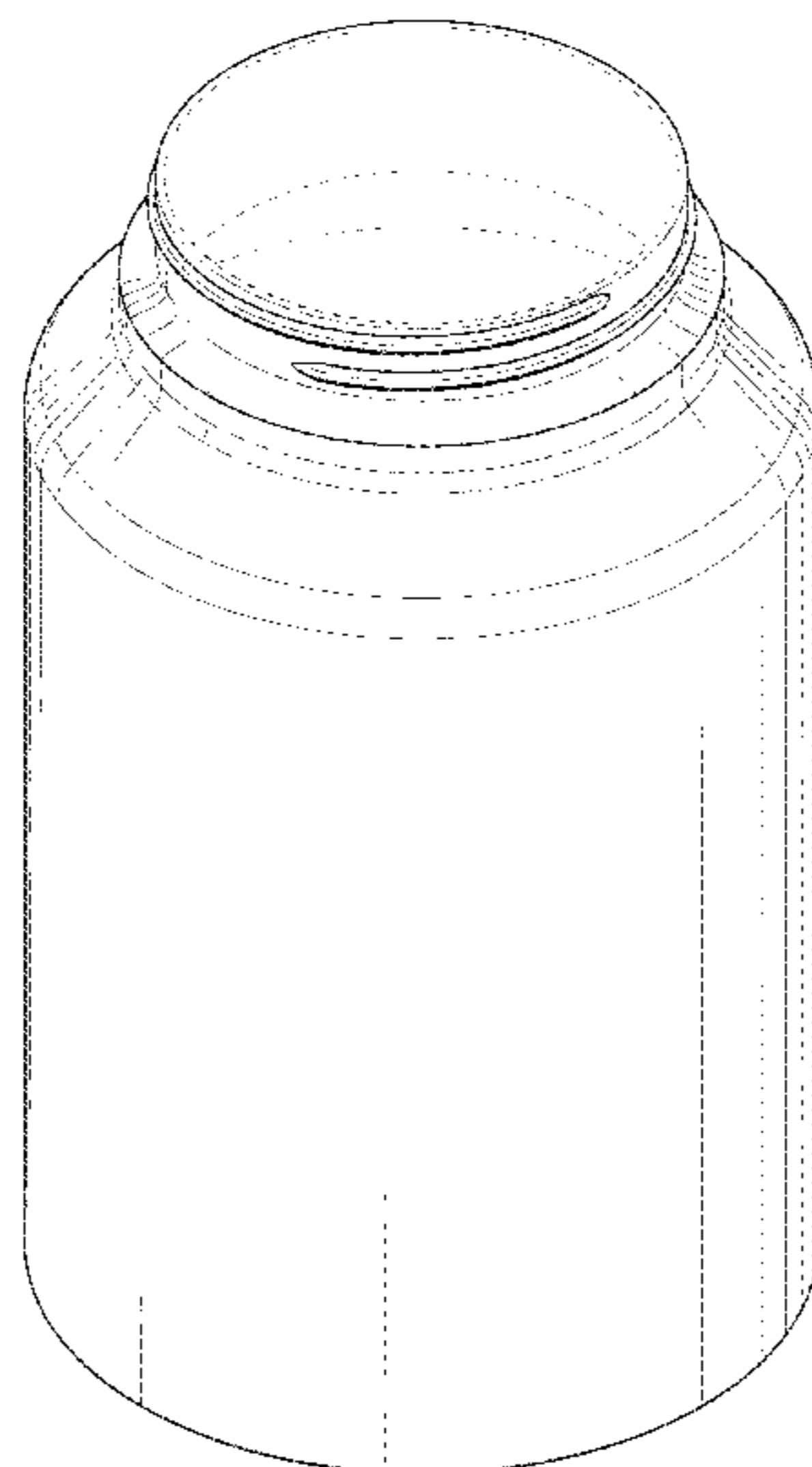
U.S. PATENT DOCUMENTS

450,827 A * 4/1891 Martyn B65D 41/06
215/352
781,462 A * 1/1905 Rieke B65D 53/06
215/277
824,896 A * 7/1906 Willis B65D 41/0442
215/354
D548,103 S * 8/2007 Waldner B65D 83/04
D9/560

DESCRIPTION

FIG. 1 is a first perspective view of a container showing our new design;
FIG. 2 is a second perspective view thereof;
FIG. 3 is a first side view thereof;
FIG. 4 is a second side view thereof;
FIG. 5 is a third side view thereof;
FIG. 6 is a fourth side thereof;
FIG. 7 is a top view thereof; and,
FIG. 8 is a bottom view thereof.
The dashed lines depict portions of the container that form no part of the claimed design.

1 Claim, 8 Drawing Sheets



(56)

References Cited

U.S. PATENT DOCUMENTS

D829,558 S * 10/2018 Rothfos B65D 53/06
D9/542
D831,489 S * 10/2018 Deylamian B65D 23/003
D8/356
2012/0222980 A1* 9/2012 Lambalot B65D 63/10
220/259.3
2014/0166606 A1* 6/2014 Brozell B65D 25/42
215/44
2015/0266630 A1* 9/2015 Scott B65B 7/2828
215/331
2017/0231867 A1* 8/2017 Maston B65D 1/04
206/534
2017/0297759 A1* 10/2017 Bates B65D 79/0081
2017/0355508 A1* 12/2017 Currington B65D 51/222
2019/0352065 A1* 11/2019 Pham B65D 83/04
2020/0339323 A1* 10/2020 French B65D 47/0809

OTHER PUBLICATIONS

CIVAGO Half Gallon, available in Amazon.com, date first available
Sep. 8, 2022, site visited Feb. 24, 2023, Internet URL: <[https://
www.amazon.com/CIVAGO-Insulated-Stainless-Canteen-Growler/
dp/B0B6WJ6139/ref=psdc_9630569011_t1_B09TDG3CJF?th=1](https://www.amazon.com/CIVAGO-Insulated-Stainless-Canteen-Growler/dp/B0B6WJ6139/ref=psdc_9630569011_t1_B09TDG3CJF?th=1)>
(Year: 2022).*

* cited by examiner

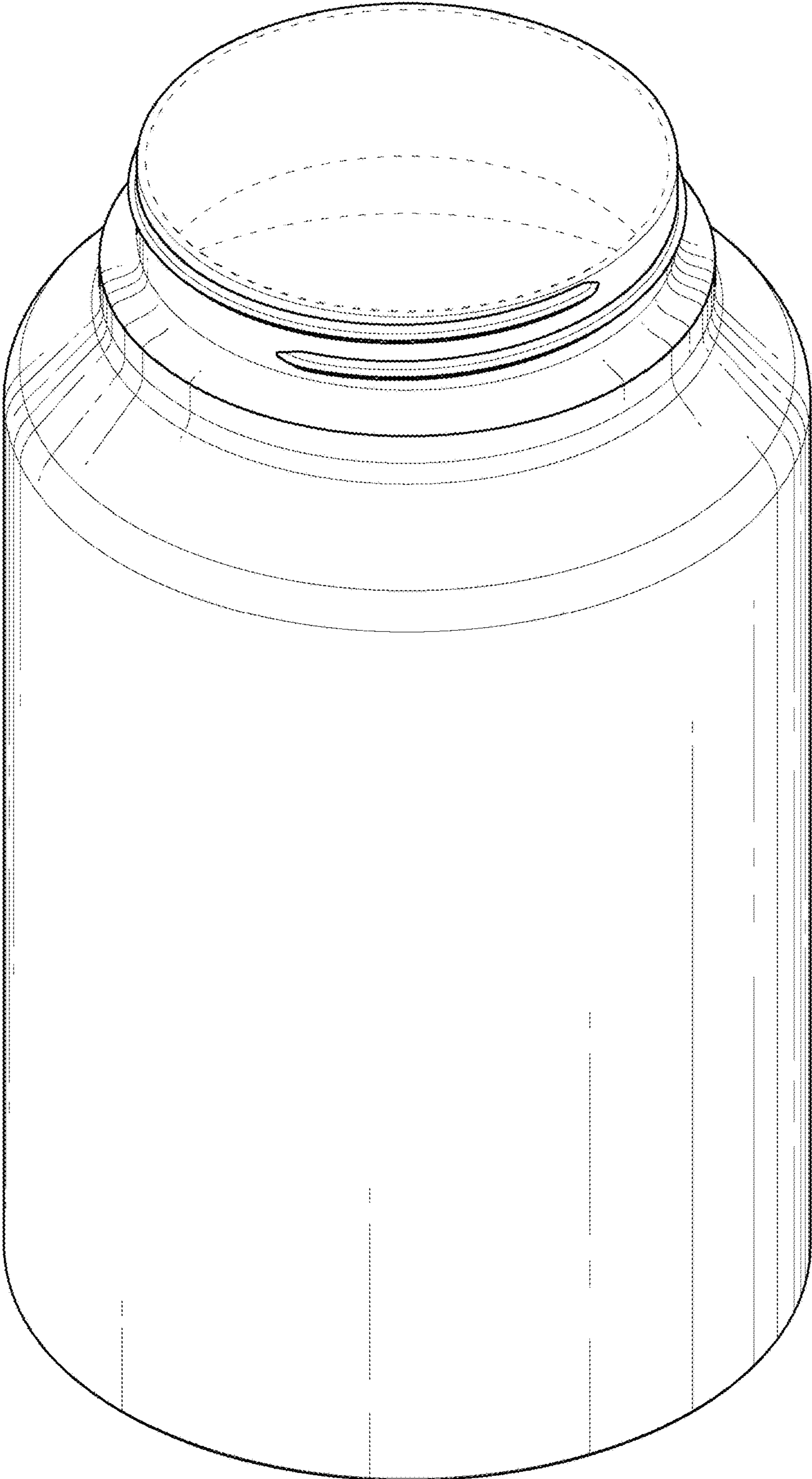


FIG. 1

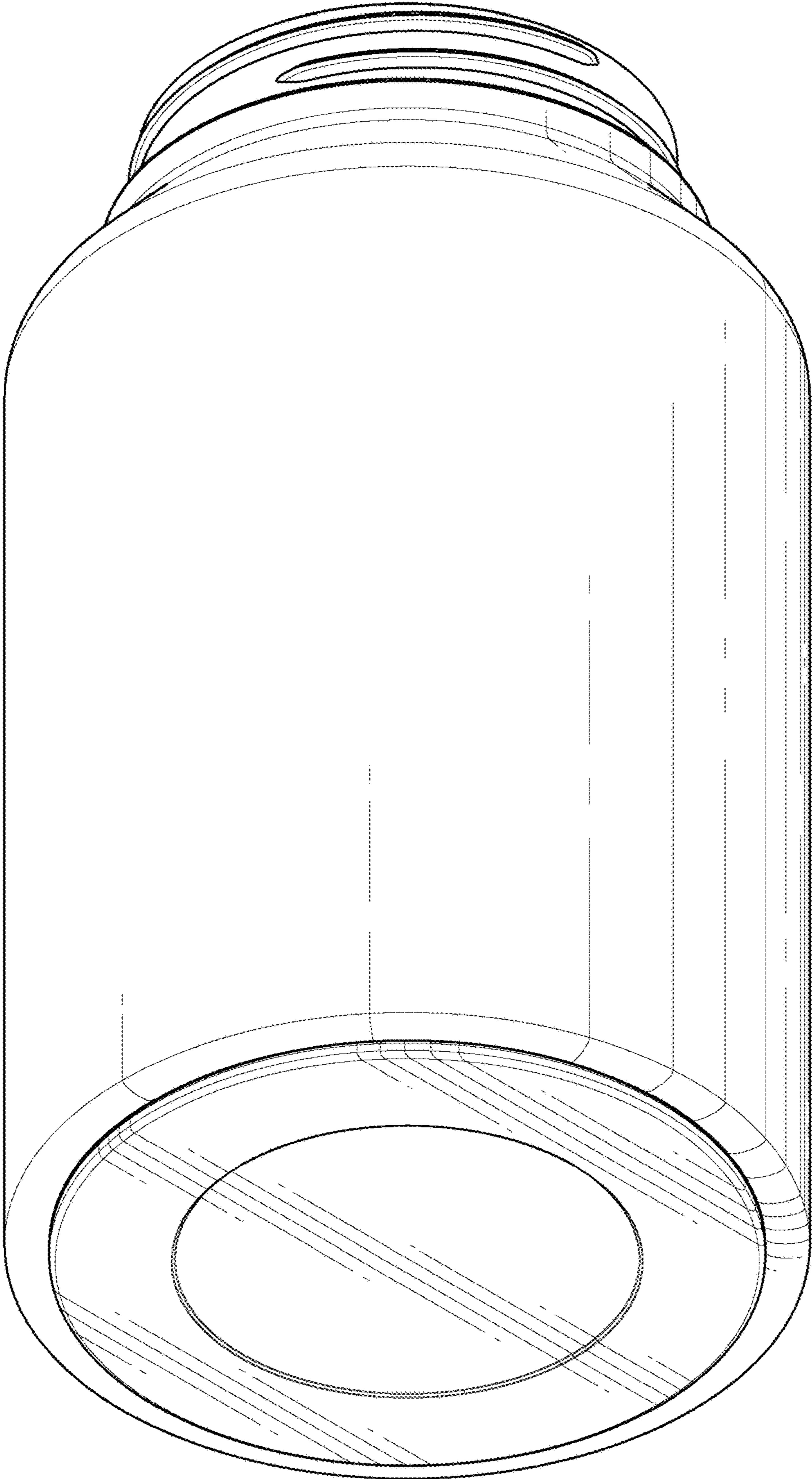


FIG. 2

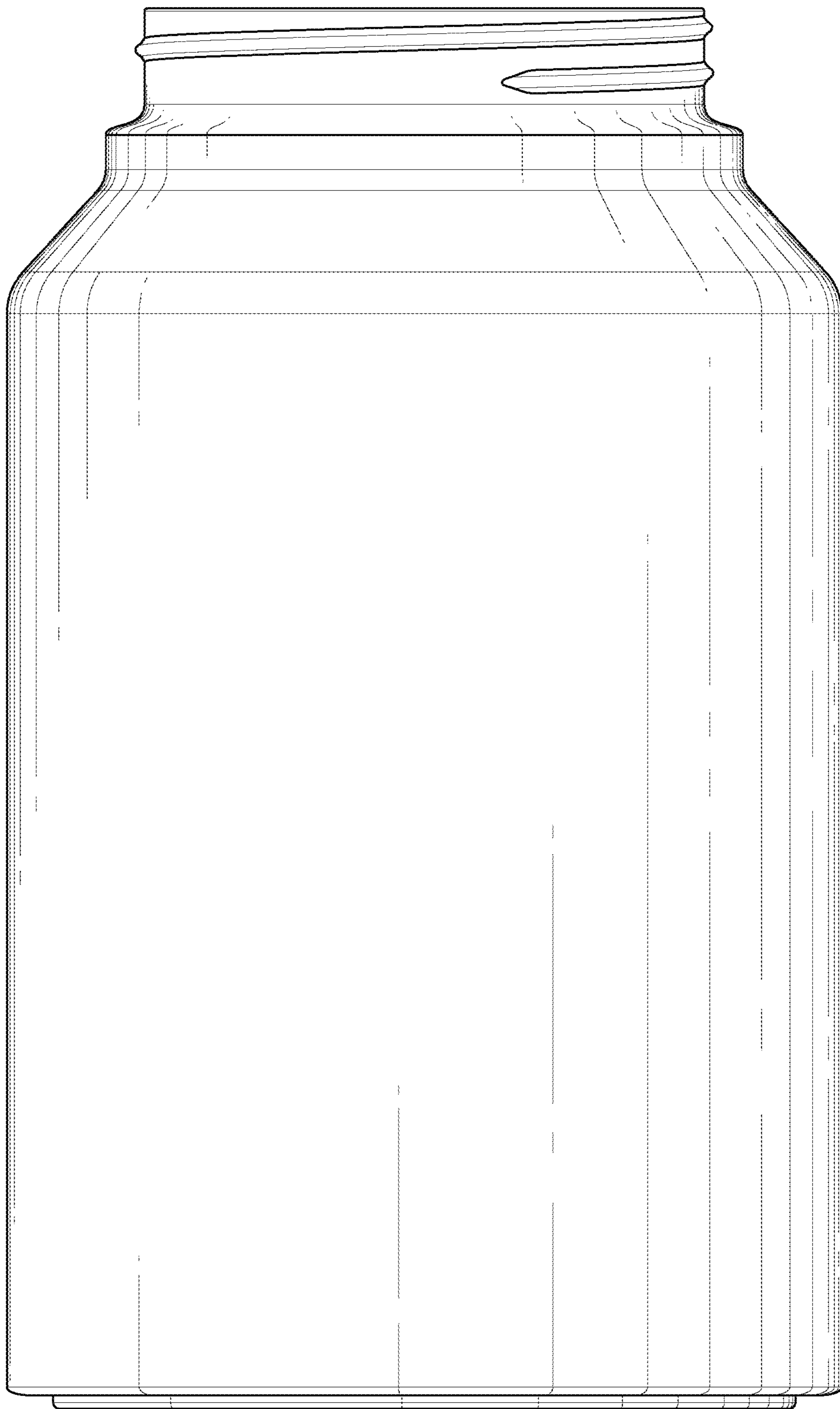


FIG. 3

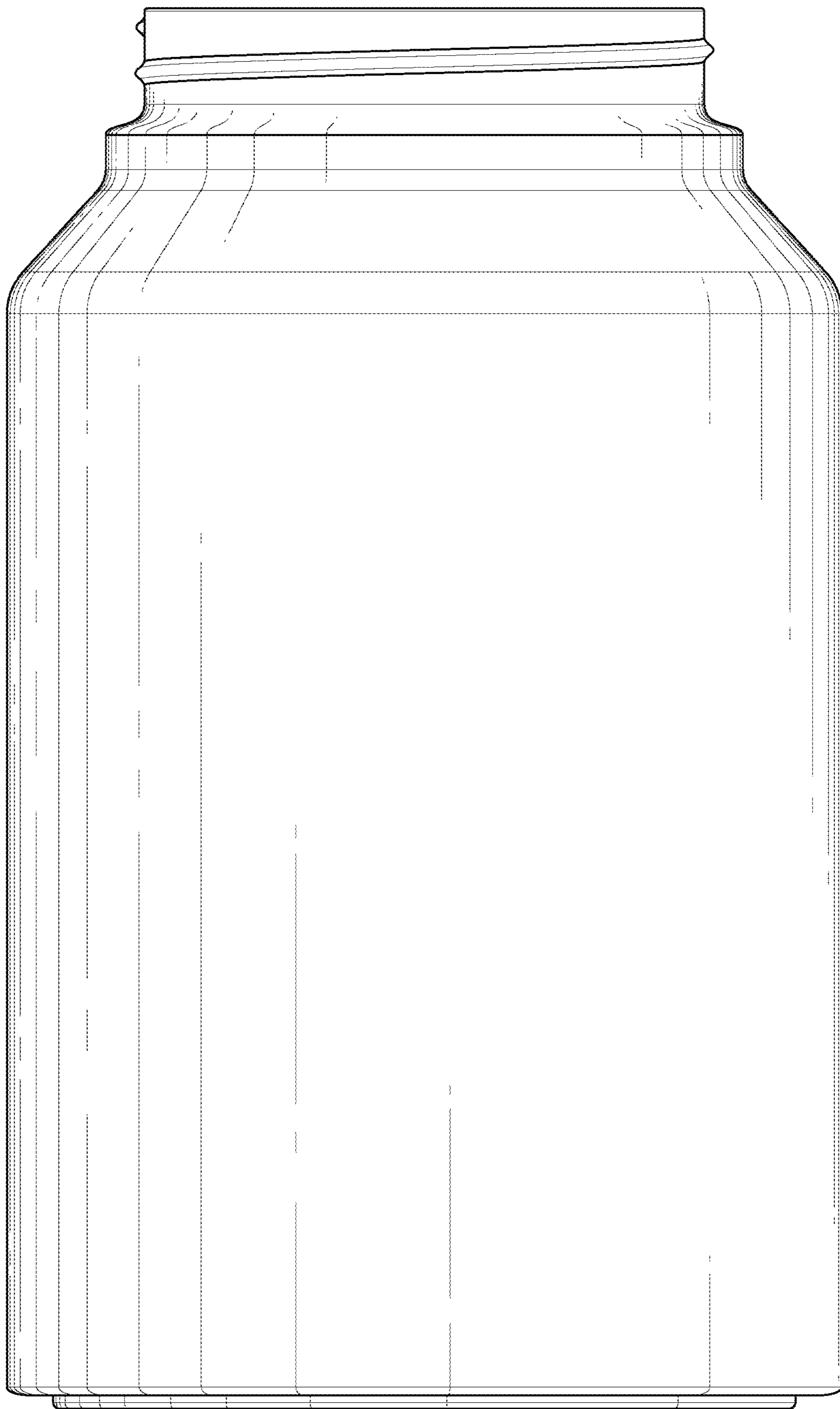


FIG. 4

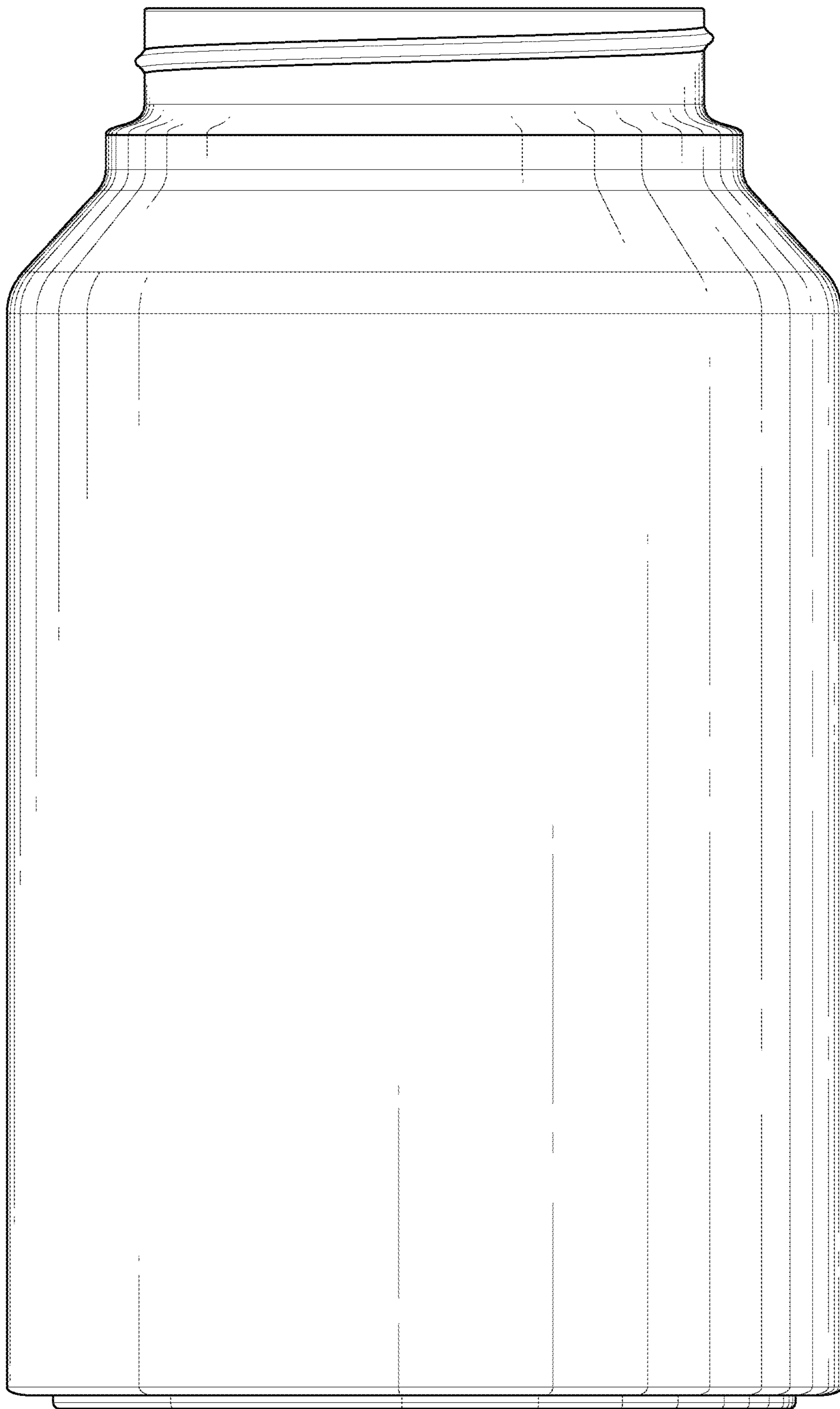


FIG. 5

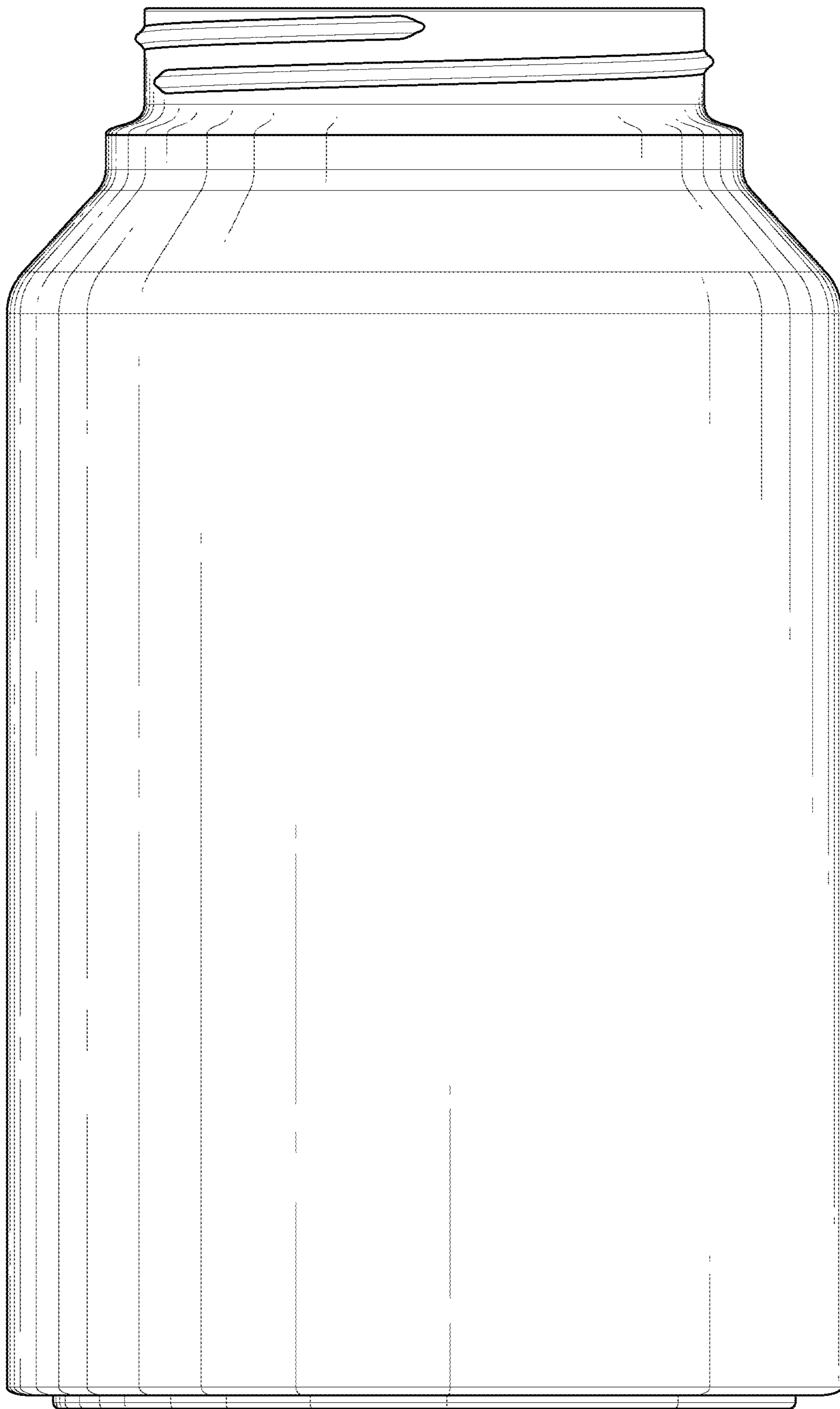


FIG. 6

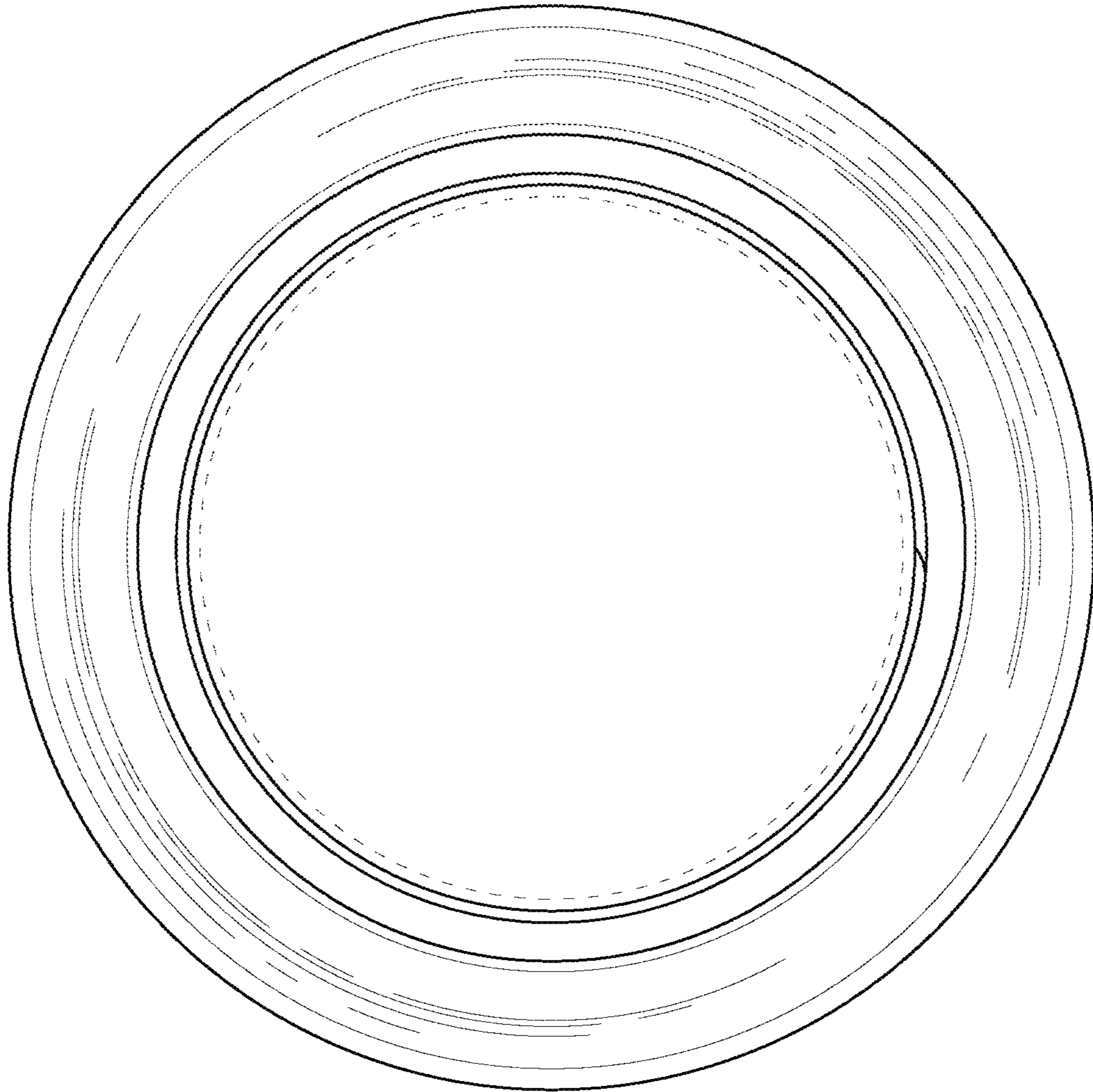


FIG. 7

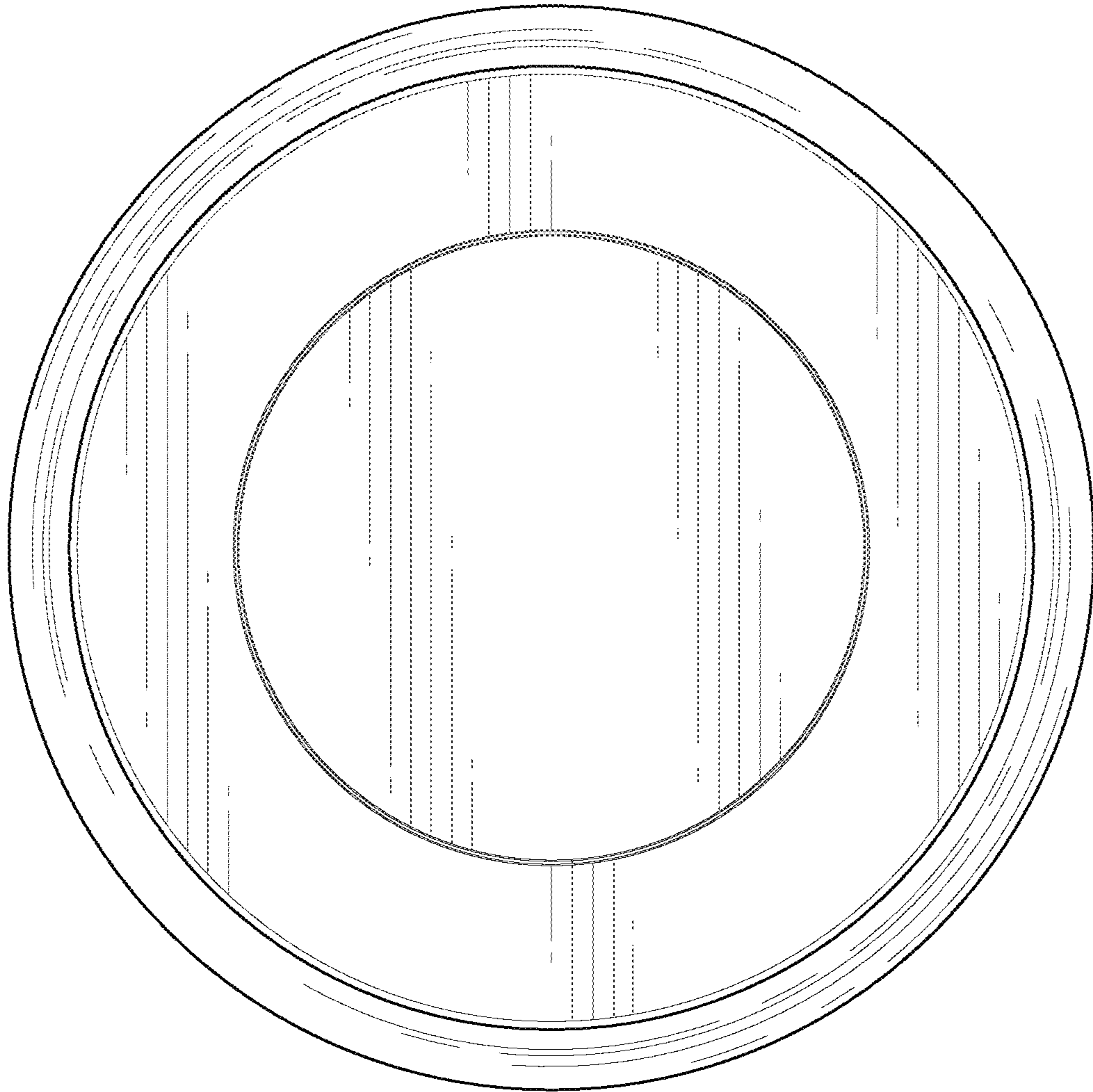


FIG. 8