



US00D984851S

(12) **United States Design Patent** (10) **Patent No.:** **US D984,851 S**
Schroeder (45) **Date of Patent:** **** May 2, 2023**

(54) **CONTAINER**

(71) Applicant: **Harbour Star International Limited,**
Mongkok (HK)

(72) Inventor: **Thorsten Schroeder, Pok Fu Lam**
(HK)

(73) Assignee: **Harbour Star International Limited,**
Kowloon (HK)

(**) Term: **15 Years**

(21) Appl. No.: **29/762,415**

(22) Filed: **Dec. 16, 2020**

(30) **Foreign Application Priority Data**

Jul. 16, 2020 (EM) 008042949-0003

(51) **LOC (14) Cl.** **07-04**

(52) **U.S. Cl.**
USPC **D7/413**

(58) **Field of Classification Search**
USPC D7/319, 354, 355, 356, 368, 372, 376,
D7/377, 378, 379, 380, 381, 382, 383,
D7/384, 385, 386, 401, 412, 413, 600,
D7/602, 629, 665, 679, 693, 694
CPC A21C 1/02; A21C 1/04; A23N 1/00; A23N
1/02; A47J 43/04; A47J 43/25; A47J
43/27; A47J 43/042; A47J 43/044; A47J
43/046; A47J 43/075; A47J 43/0722;
A47J 43/0727; A47J 43/087; B01F
3/0807; B01F 3/0853; B01F 13/0059;
B01F 13/0064; B02C 1/08; B02C 2/04;
B02C 4/42; B02C 4/142; B02C

(Continued)

(56) **References Cited**

U.S. PATENT DOCUMENTS

D641,198 S * 7/2011 Borin D7/378

8,147,125 B2 * 4/2012 Boozer A47J 43/0716
366/347

D750,936 S * 3/2016 Kemker D7/378

(Continued)

FOREIGN PATENT DOCUMENTS

CN 304307604 * 10/2017
CN 305218987 * 6/2019

OTHER PUBLICATIONS

All-Clad Food Processor, posted at Amazon.com on Jan. 27, 2017,
[site visited May 4, 2022]. Available from internet, URL: <https://
www.amazon.com/All-Clad-HP503152-Cooking-Processor-4-7-
Quart/dp/B01MTDRHIZ/> (Year: 2017).*

(Continued)

Primary Examiner — Andrew Kerr

Assistant Examiner — Chariton Alexakis

(74) *Attorney, Agent, or Firm* — Calderon, Safran & Cole
P.C.

(57) **CLAIM**

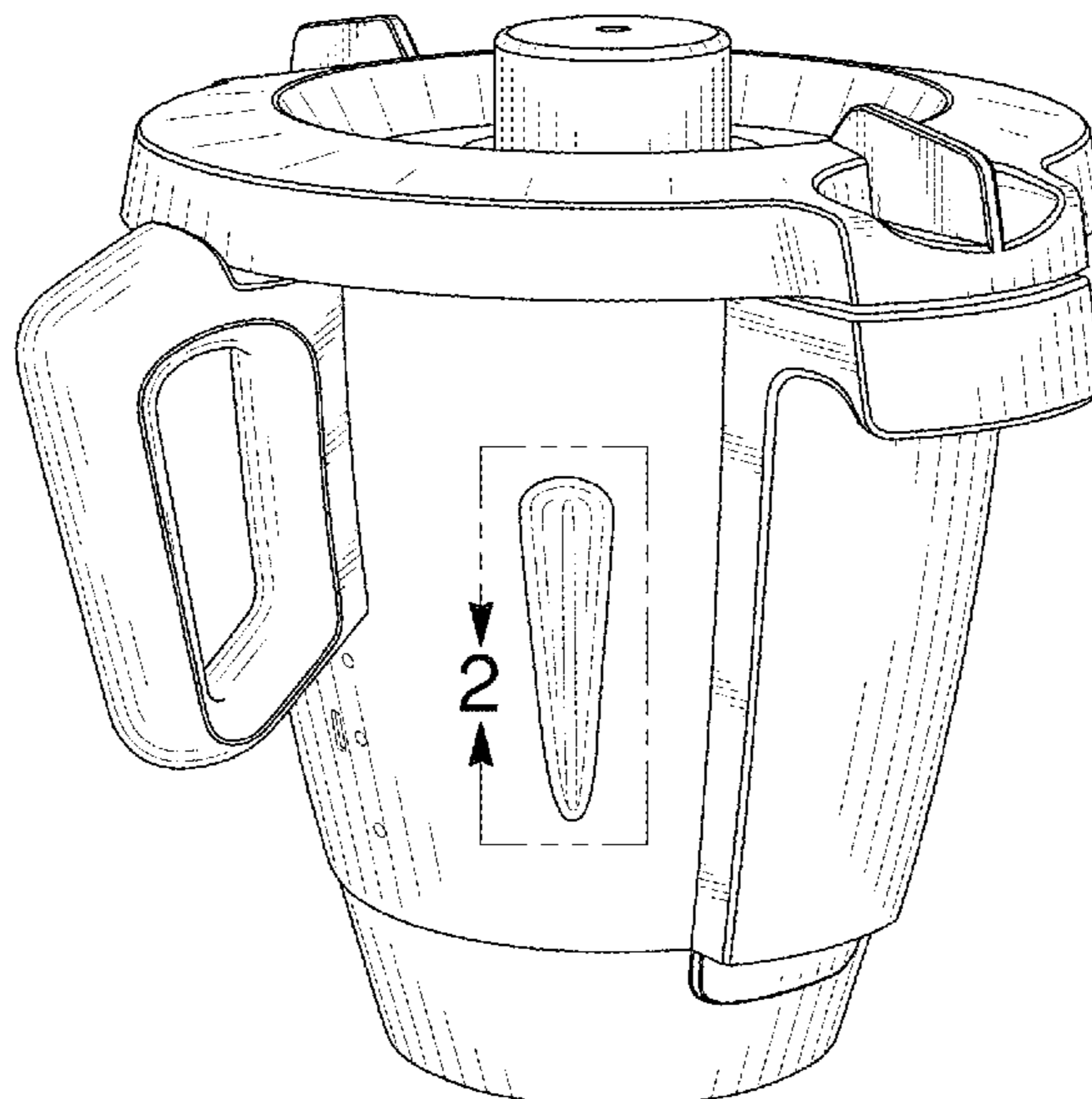
The ornamental design for a container, as shown and
described.

DESCRIPTION

FIG. 1 is a front perspective view of a container, showing my
new design;
FIG. 2 is an enlarged view of area 2 of FIG. 1;
FIG. 3 is a rear perspective view thereof;
FIG. 4 is a front elevation view thereof;
FIG. 5 is a rear elevation view thereof;
FIG. 6 is a right side elevation view thereof;
FIG. 7 is a left side elevation view thereof;
FIG. 8 is a top plan view thereof; and,
FIG. 9 is a bottom plan view.

The long dash-short-short dash broken lines in FIG. 2,
designating the boundary of the enlarged view, form no part
of the claimed design. The even-spaced broken lines in the
drawings depict portions of the container that form no part
of the claimed design.

1 Claim, 9 Drawing Sheets



(58) **Field of Classification Search**

CPC 4/143; B02C 4/423; B02C 13/1835; B28C
5/10; B28C 5/14; B28C 5/16

See application file for complete search history.

(56) **References Cited**

U.S. PATENT DOCUMENTS

D808,718 S * 1/2018 Coakley D7/378
D845,707 S * 4/2019 Hoff D7/378
D887,210 S * 6/2020 Fung D7/378
D899,843 S * 10/2020 Ye D7/378
D900,534 S * 11/2020 Ye D7/378
D919,366 S * 5/2021 Fung D7/378
D935,275 S * 11/2021 Ye D7/378
2017/0000294 A1 * 1/2017 Faria Rocha A47J 43/0722
2017/0099984 A1 * 4/2017 Koetz A23L 5/10
2018/0070775 A1 * 3/2018 Cornelissen B02C 18/16
2018/0140138 A1 * 5/2018 Kim A47J 43/07
2018/0360272 A1 * 12/2018 Kvesic B02C 9/02
2019/0374915 A1 * 12/2019 Charopoulos B08B 9/087
2019/0380539 A1 * 12/2019 Alves A47J 43/0761
2020/0009520 A1 * 1/2020 Kellenberger A23G 9/22
2020/0359843 A1 * 11/2020 Ye G01G 19/52
2021/0274976 A1 * 9/2021 Schmitz A47J 43/0772

OTHER PUBLICATIONS

Wundermix Food Processor, posted at Amazon.com on Dec. 3, 2020, [site visited May 4, 2022]. Available from internet, URL: <<https://www.amazon.com/dp/B07Y5ND2BX/>> (Year: 2020).*

* cited by examiner

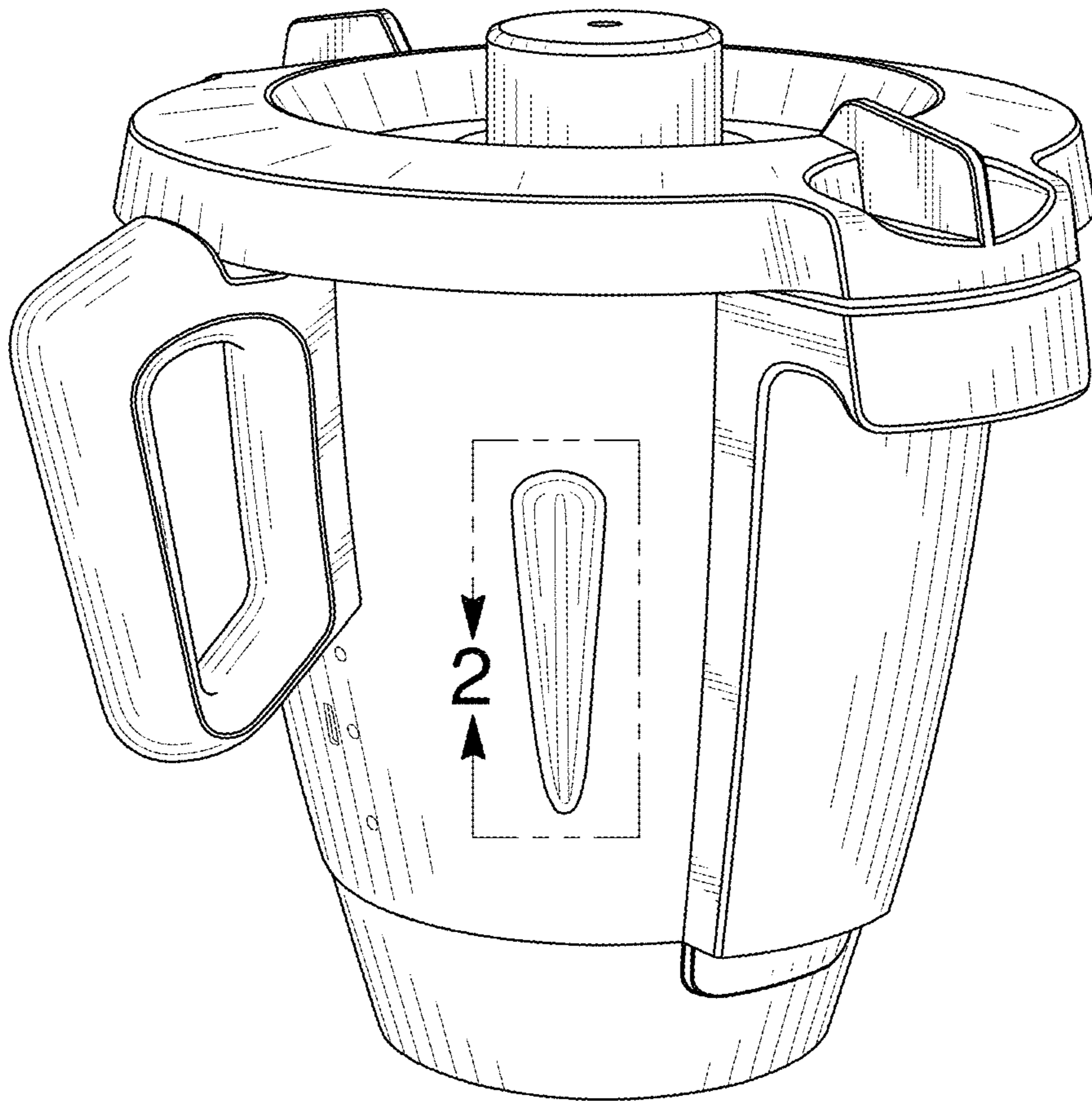


FIG. 1

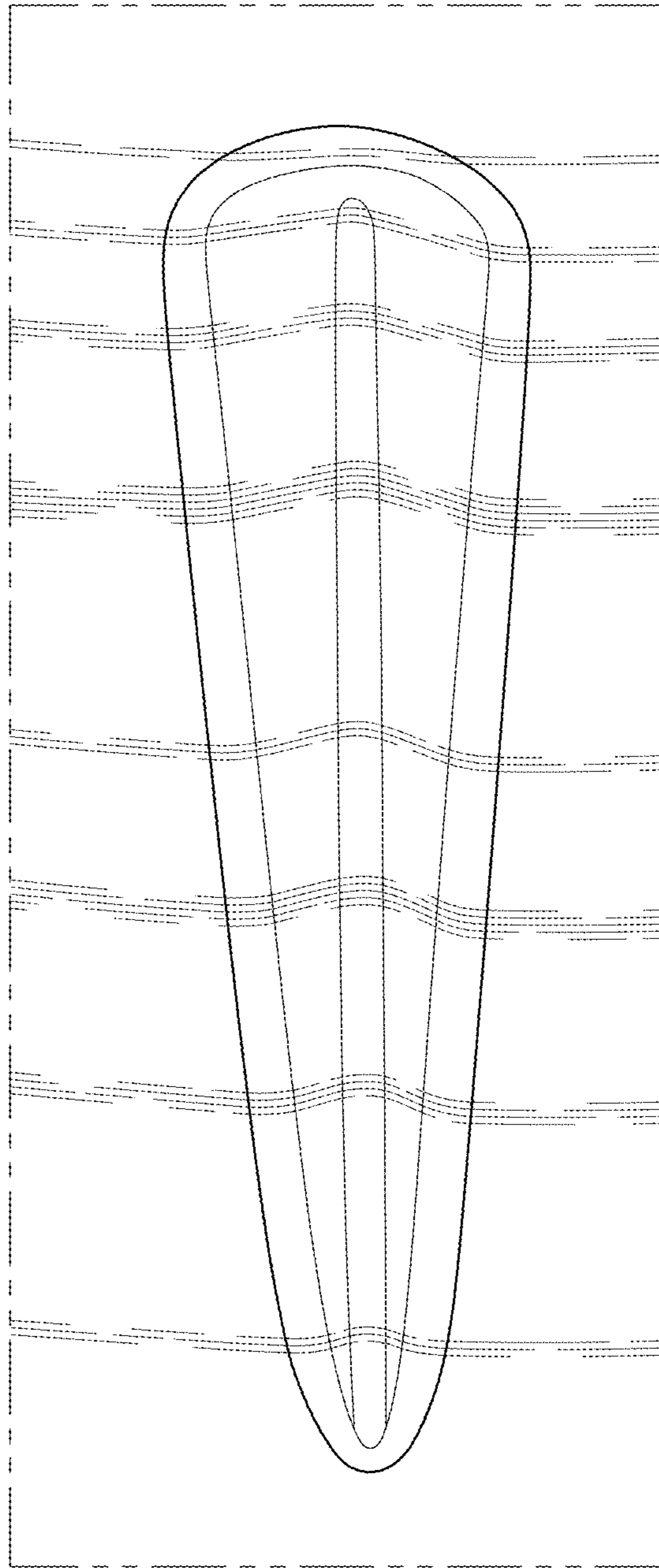


FIG. 2

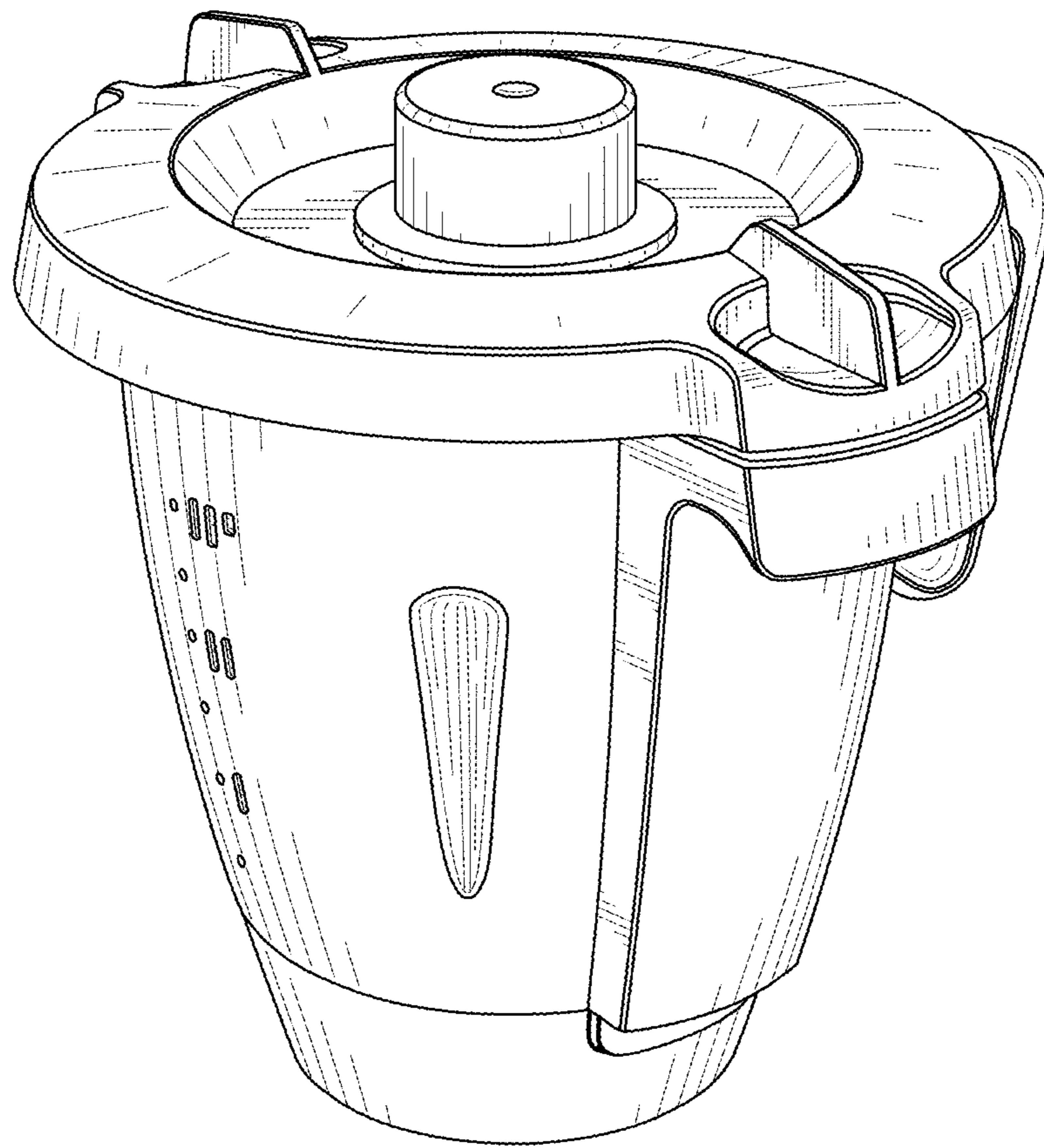


FIG. 3

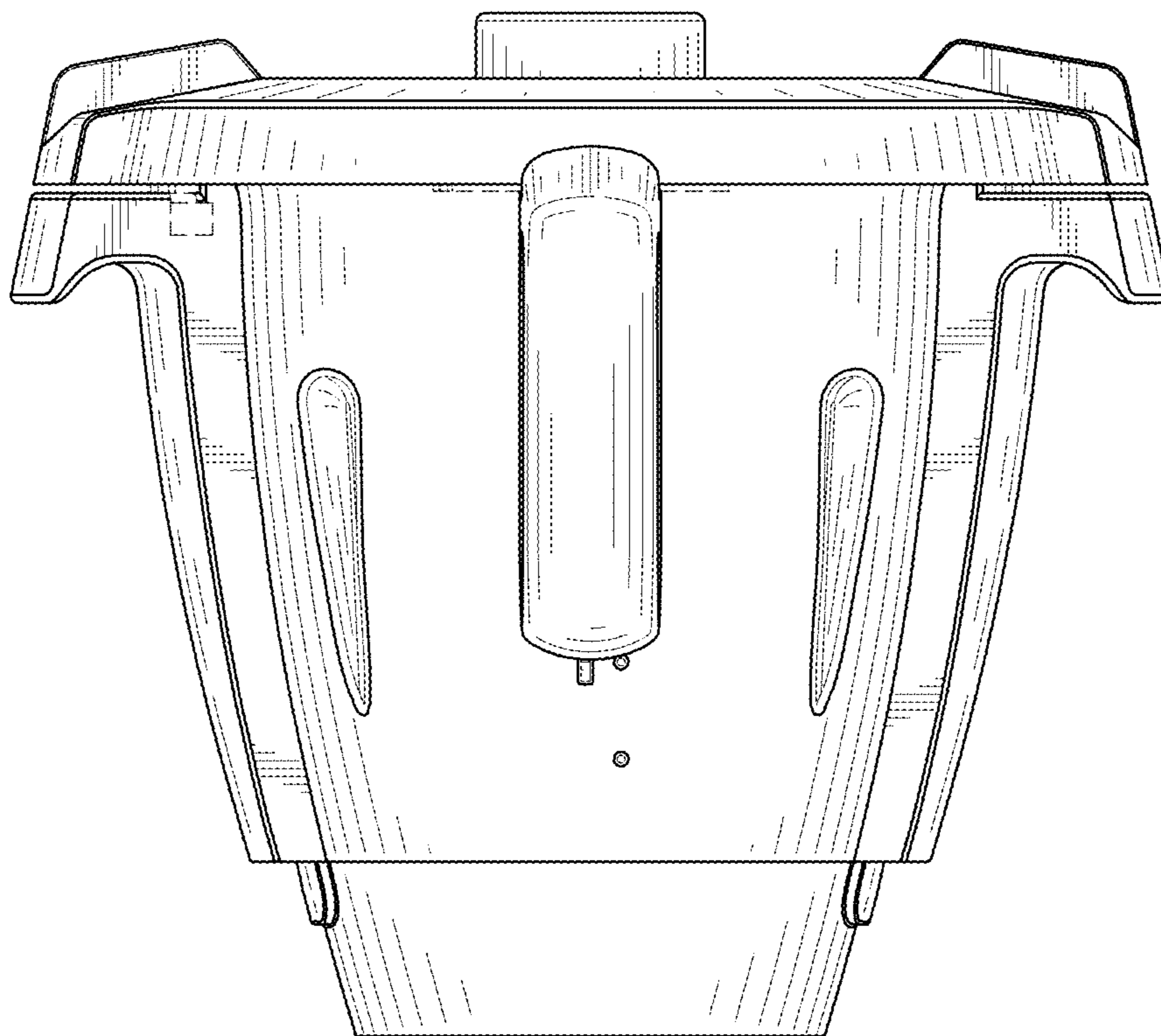


FIG. 4

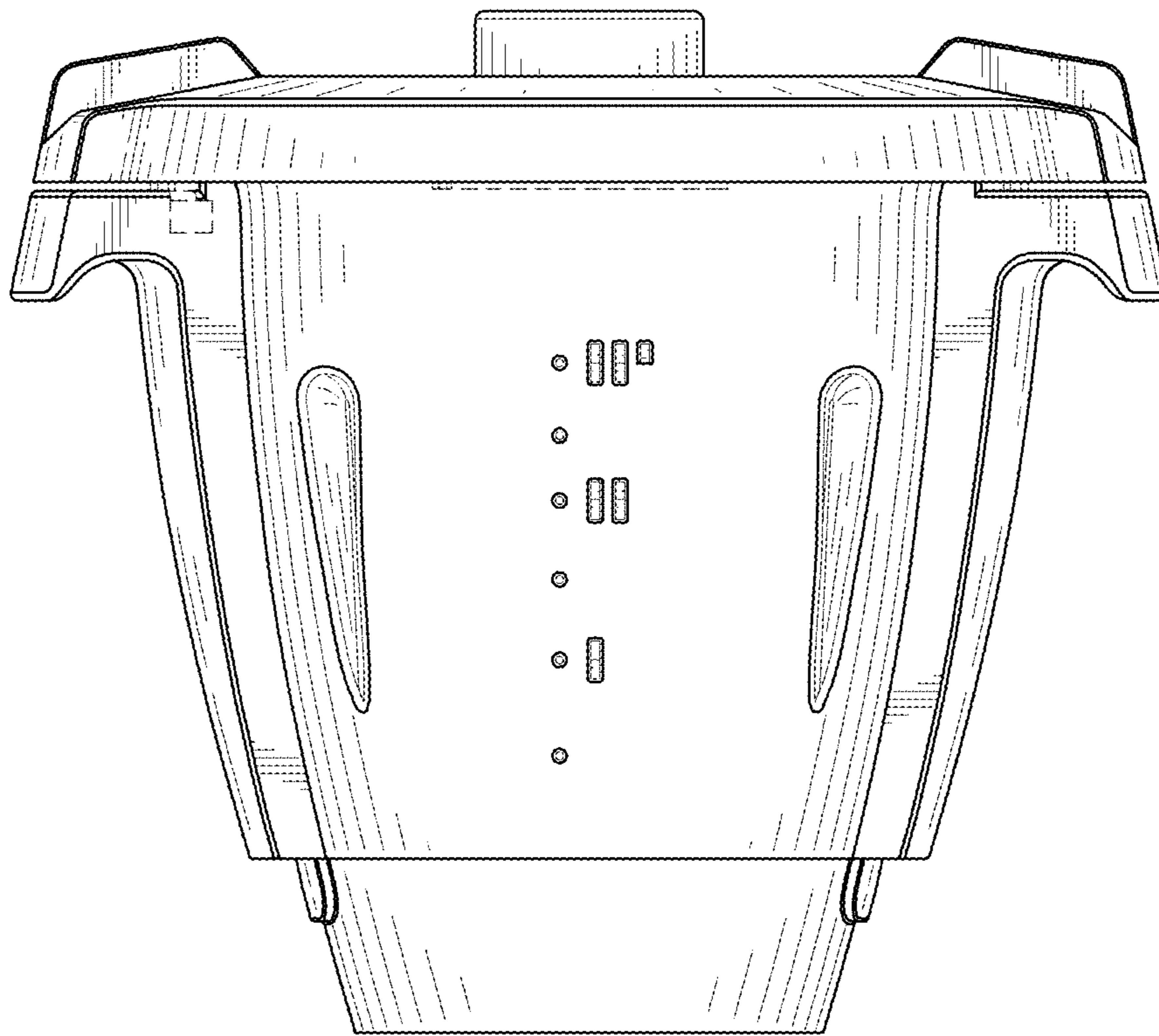


FIG. 5

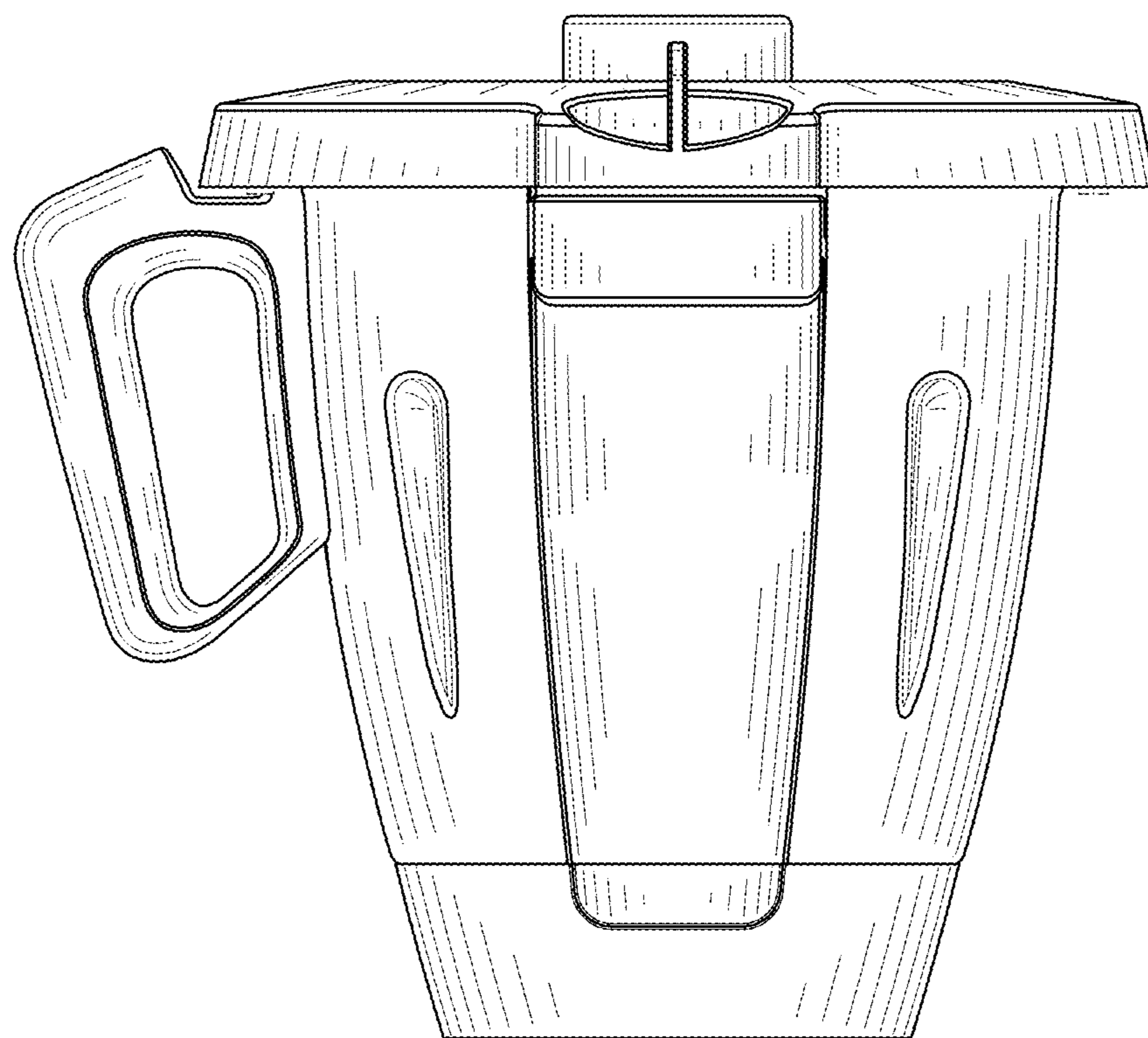


FIG. 6

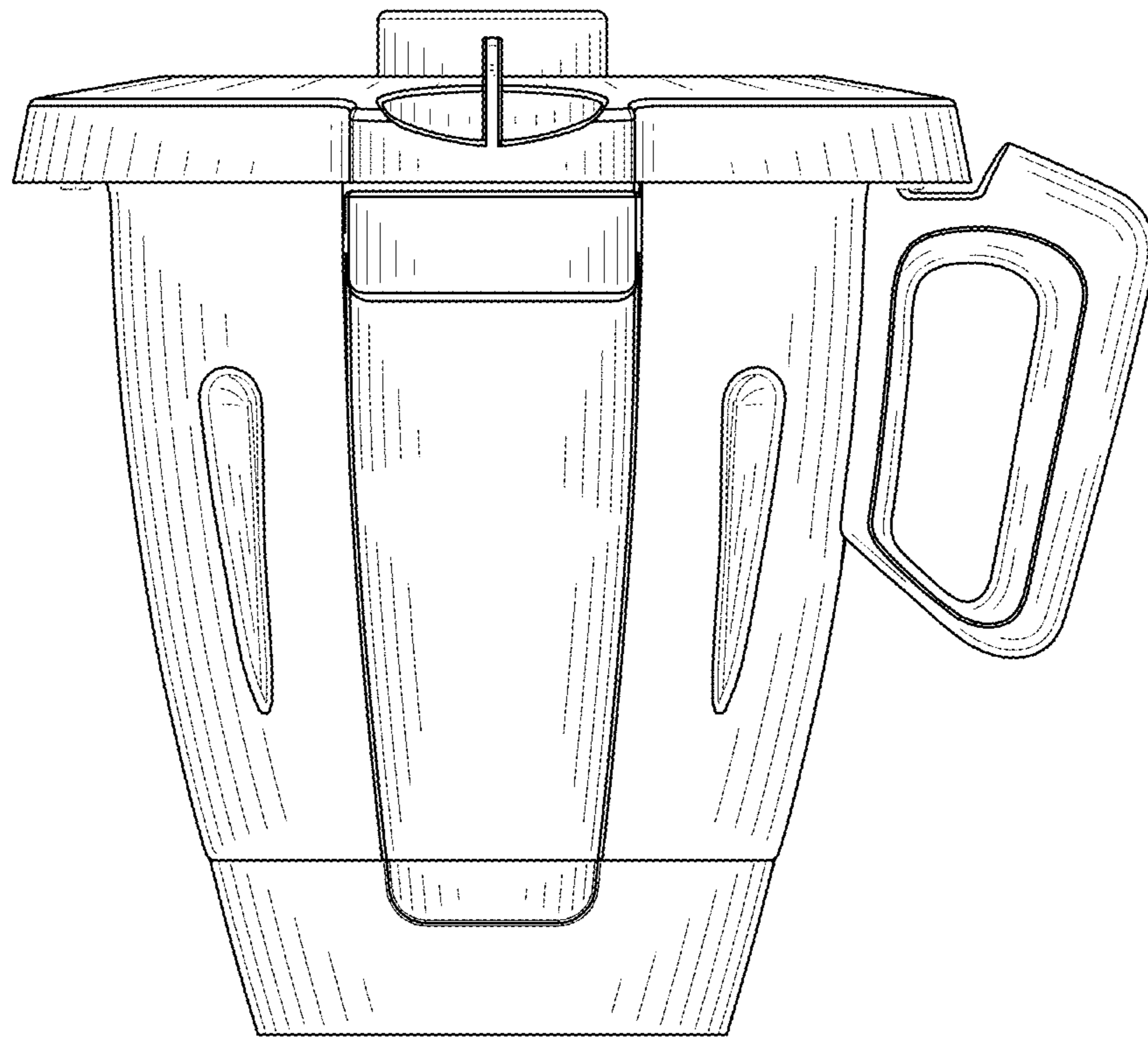


FIG. 7

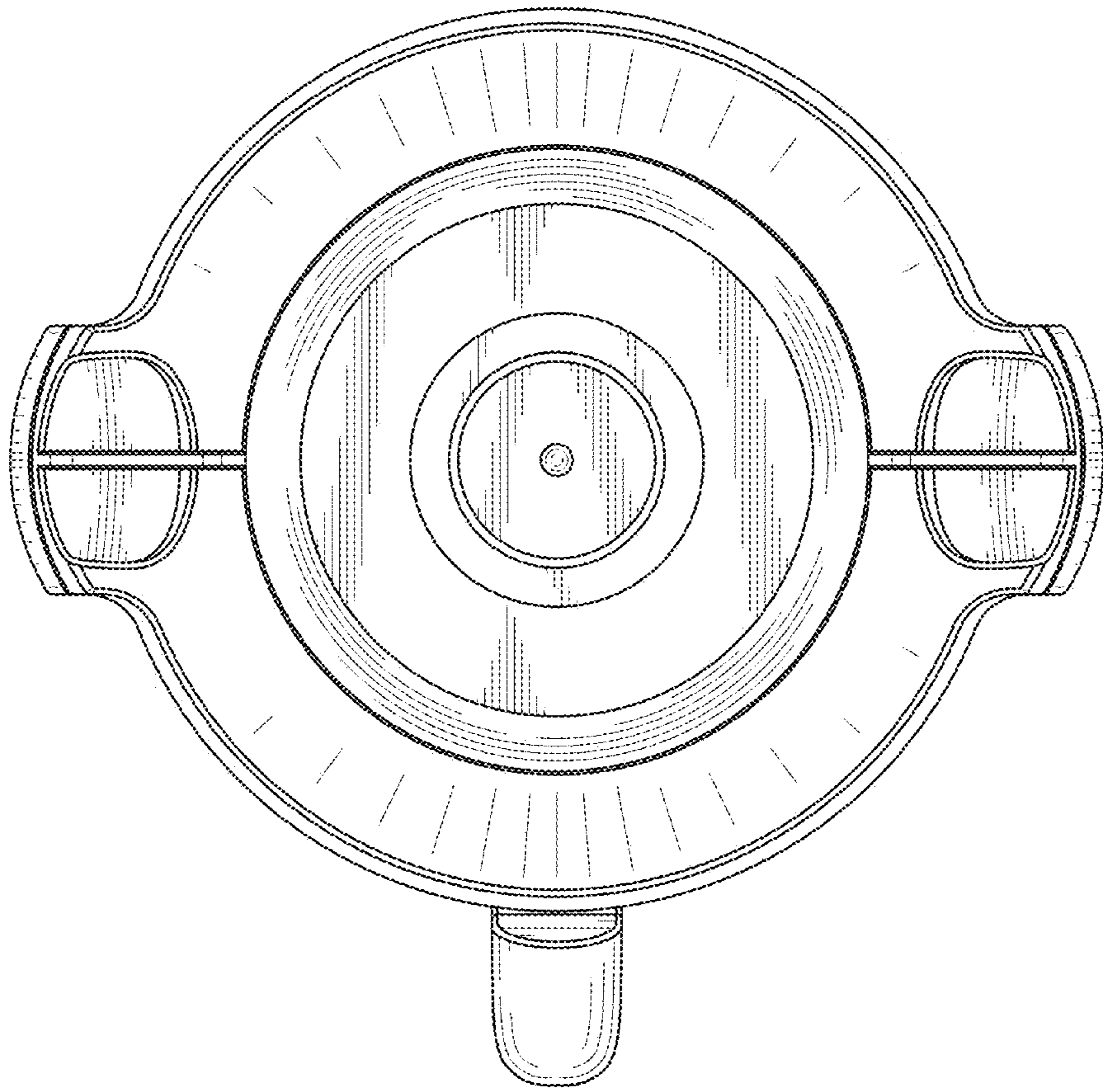


FIG. 8

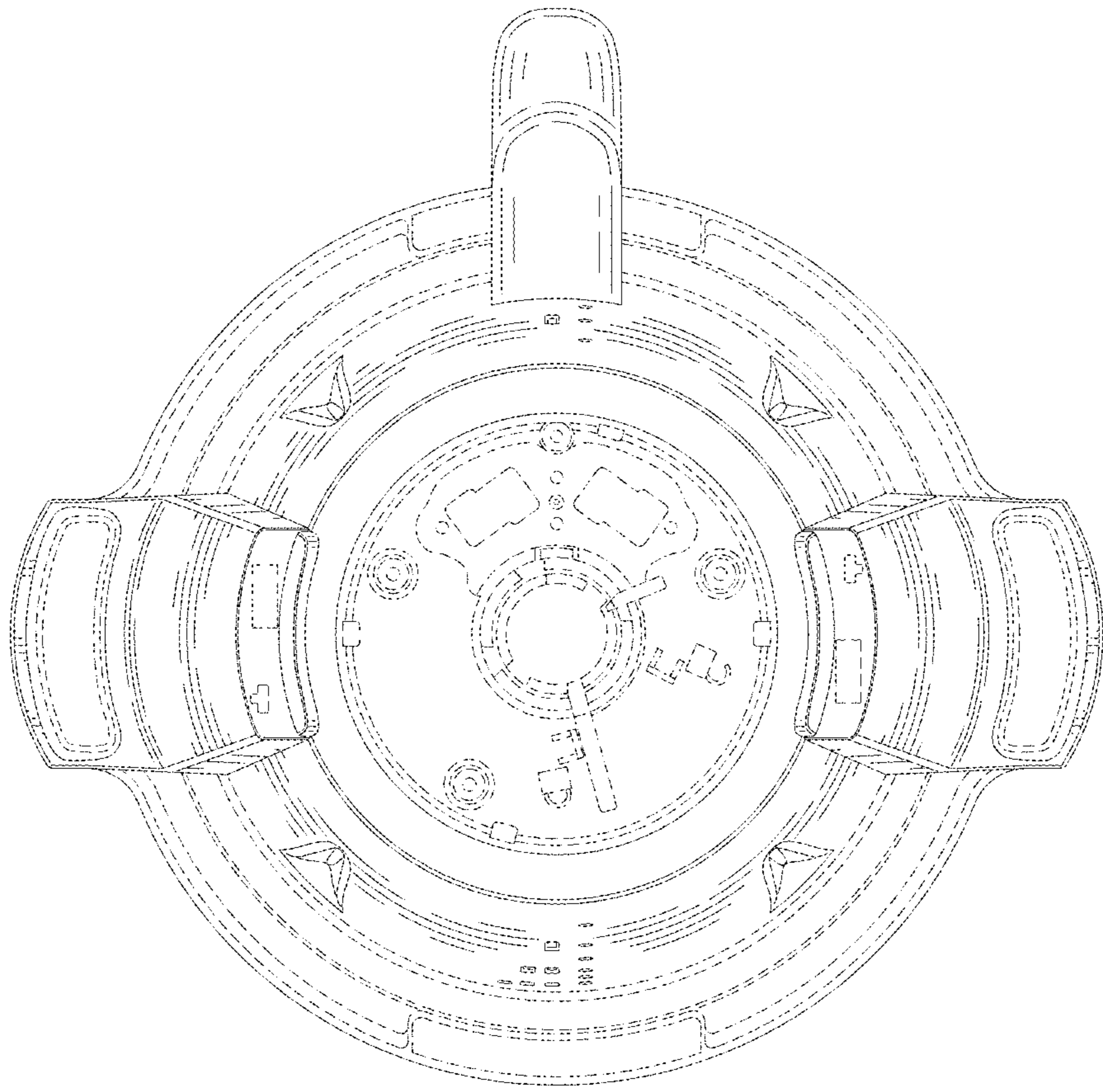


FIG. 9