



US00D984848S

(12) **United States Design Patent**
Nathan et al.

(10) **Patent No.:** **US D984,848 S**

(45) **Date of Patent:** **** May 2, 2023**

(54) **COOLING RACK**

(71) Applicant: **Caraway Home, Inc.**, New York, NY (US)

(72) Inventors: **Jordan Nathan**, New York, NY (US); **Bret Recor**, San Francisco, CA (US); **Benjamin Gross**, San Francisco, CA (US); **Kenneth Young**, San Francisco, CA (US); **Christoph Andrejic**, San Francisco, CA (US)

(73) Assignee: **Caraway Home, Inc.**, New York, NY (US)

(**) Term: **15 Years**

(21) Appl. No.: **29/776,024**

(22) Filed: **Mar. 26, 2021**

(51) **LOC (14) Cl.** **07-02**

(52) **U.S. Cl.**
USPC **D7/409**

(58) **Field of Classification Search**
USPC D6/566, 675.2, 705.6; D7/323, 332, D7/335-337, 354-355, 359-364, D7/387-388, 402, 407-409, 541, 546, D7/555

CPC A21B 2/00; A21B 3/00; A21B 3/13; A21B 3/15; A21B 3/155; A21B 5/00; A21B 5/02; A23N 12/06; A23N 12/08; A23N 12/10; A47J 36/022; A47J 36/2405; A47J 37/00; A47J 37/04; A47J 37/041; A47J 37/042; A47J 37/06; A47J 37/0688; A47J 37/0694; A47J 37/07; A47J 37/0704; A47J 37/0713; A47J 37/0786; A47J 37/10; A47J 47/20; A47J 2037/00; A47J 2037/06; A47J 2037/0611; A47J 2037/07; A47J 2037/0786; A47J 2037/0795; E04H 15/003; F24B 1/202; F24C 3/14; F24C 5/20; F24C 15/10; F24C 15/12; F24C 15/14; F24C 15/16; F24C 15/18; F24C 15/107; F24C 15/164; F25D 25/021

See application file for complete search history.

(56) **References Cited**

U.S. PATENT DOCUMENTS

2,799,426 A * 7/1957 Kaye F25D 25/021
206/513
D205,716 S * 9/1966 Christoffersen D7/409
D321,804 S * 11/1991 Wolff D18/56
D547,094 S * 7/2007 Klein D6/705.6

(Continued)

OTHER PUBLICATIONS

TeamFar Baking Sheet with Rack Set. Date First Available on Amazon.com Jun. 21, 2018. <https://www.amazon.com/dp/B07DXF7CVL/ref> (Year: 2018).*

Primary Examiner — Ricky Pham

(74) *Attorney, Agent, or Firm* — Bochner IP, PLLC; Andrew D. Bochner

(57) **CLAIM**

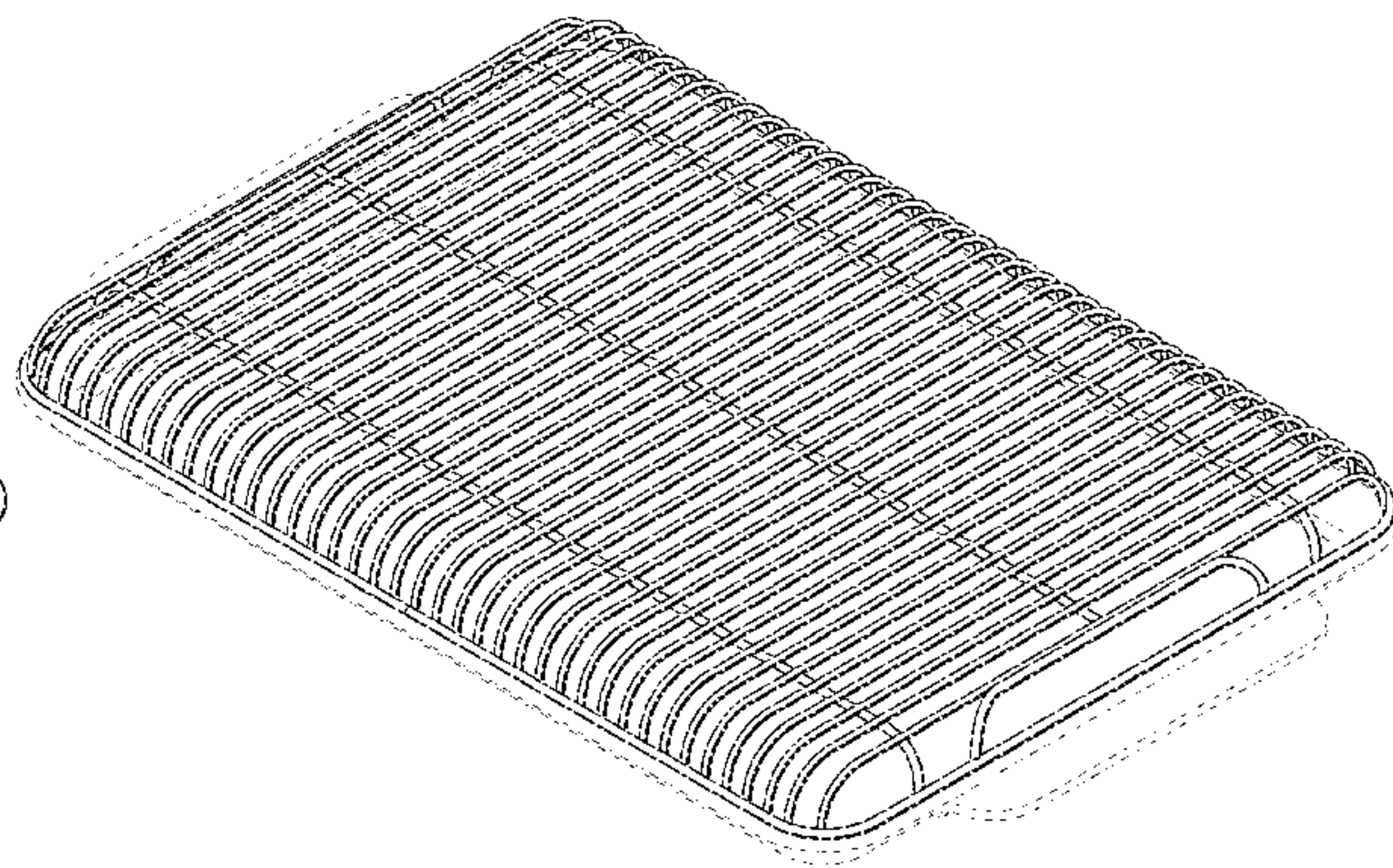
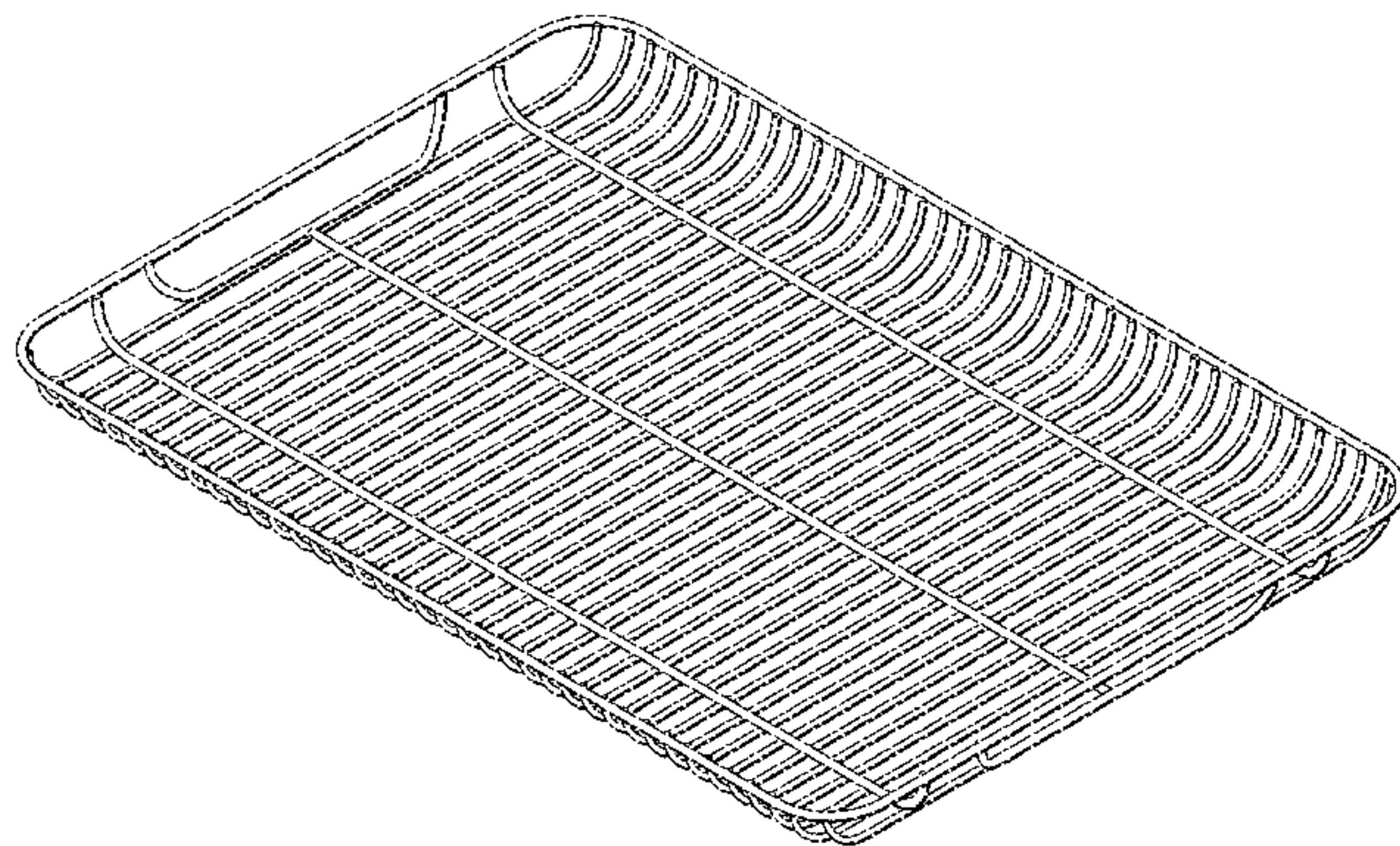
The ornamental design for a cooling rack, as shown and described.

DESCRIPTION

FIG. 1 is a top, front, left side perspective view; FIG. 2 is a front elevation view thereof; FIG. 3 is a rear elevation view thereof; FIG. 4 is a left side elevation view thereof; FIG. 5 is a right side elevation view thereof; FIG. 6 is a top plan view thereof; FIG. 7 is a bottom plan view thereof; FIG. 8 is a top, front, left side perspective view with environmental subject matter thereof; and, FIG. 9 is a Bottom, front, left side perspective view with environmental subject matter.

In the drawings, the broken lines are for the purpose of illustrating environment only, and form no part of the claimed design.

1 Claim, 6 Drawing Sheets



(56)

References Cited

U.S. PATENT DOCUMENTS

D551,884 S * 10/2007 Remmers D6/705.6
D589,729 S * 4/2009 Klein D6/705.6
7,735,481 B1 * 6/2010 Kalsi F24C 15/16
126/339
D650,226 S * 12/2011 Walker D7/354
D848,789 S * 5/2019 Mutch D7/409
D891,863 S * 8/2020 Burch D7/408
D893,221 S * 8/2020 Lim D6/675.2
D958,596 S * 7/2022 Wong D7/409
2007/0090072 A1 * 4/2007 Wang F24C 15/16
211/85.4

* cited by examiner

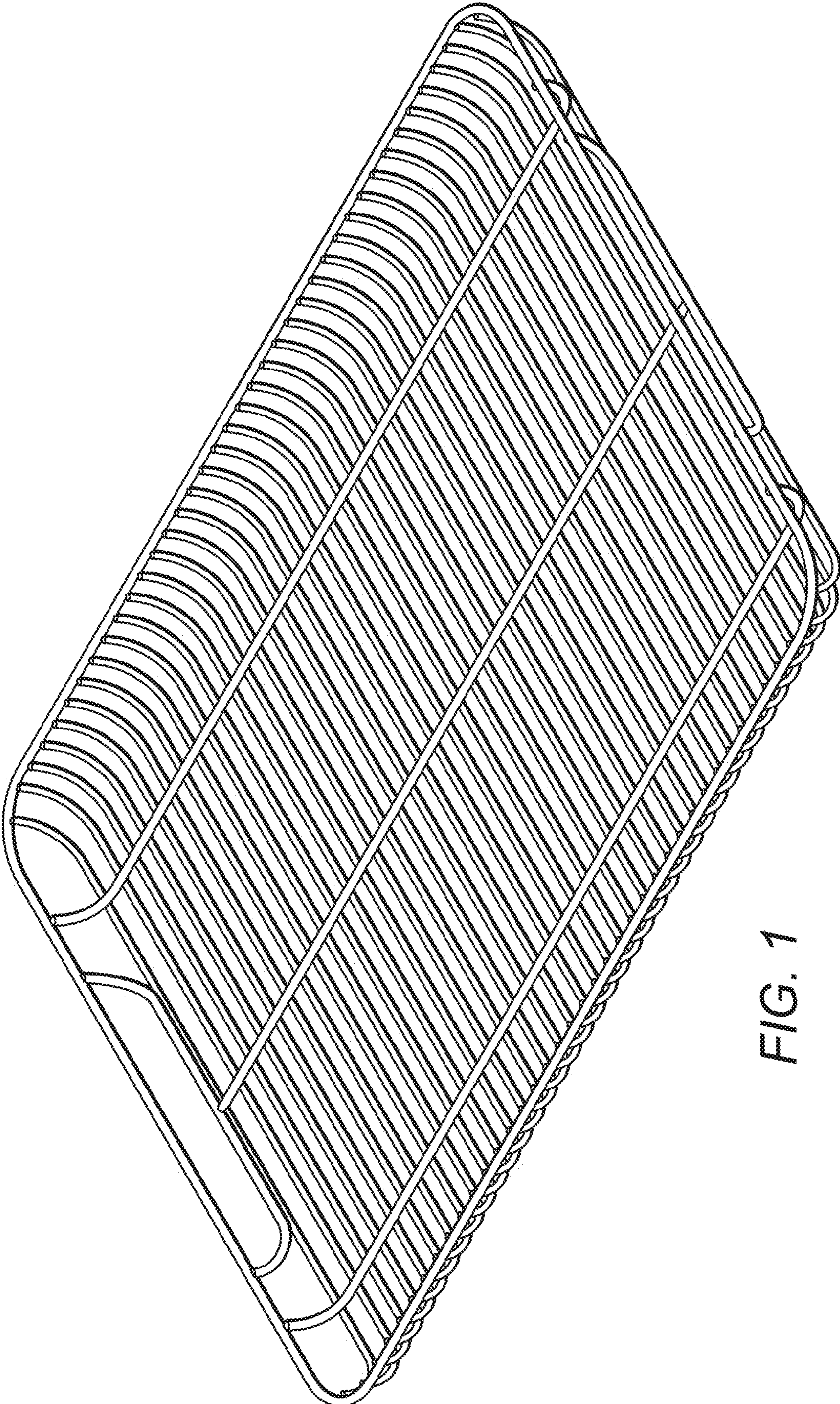


FIG. 1

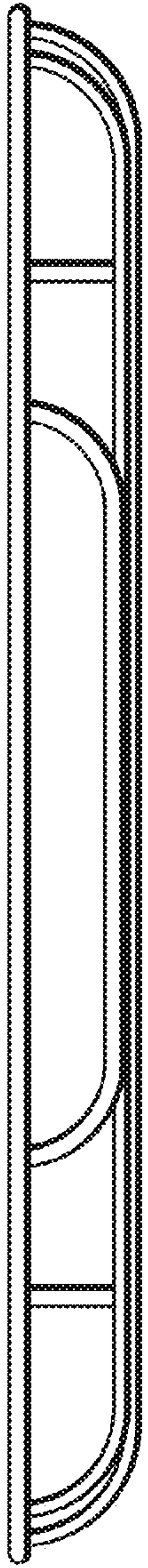


FIG. 2

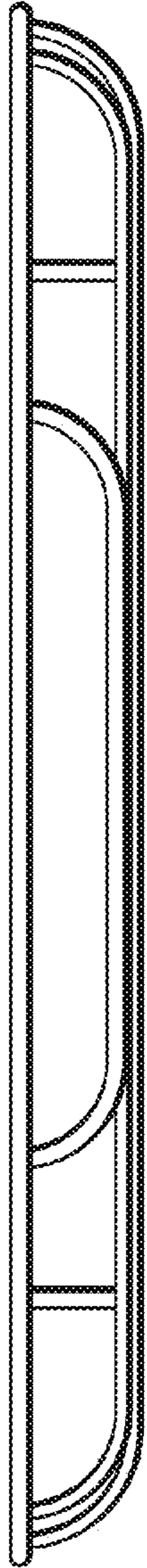


FIG. 3

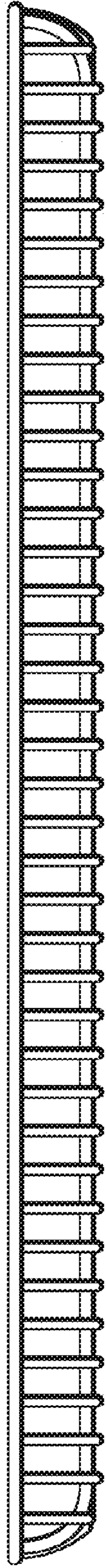


FIG. 4

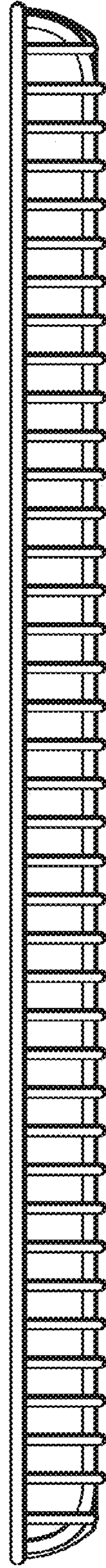


FIG. 5

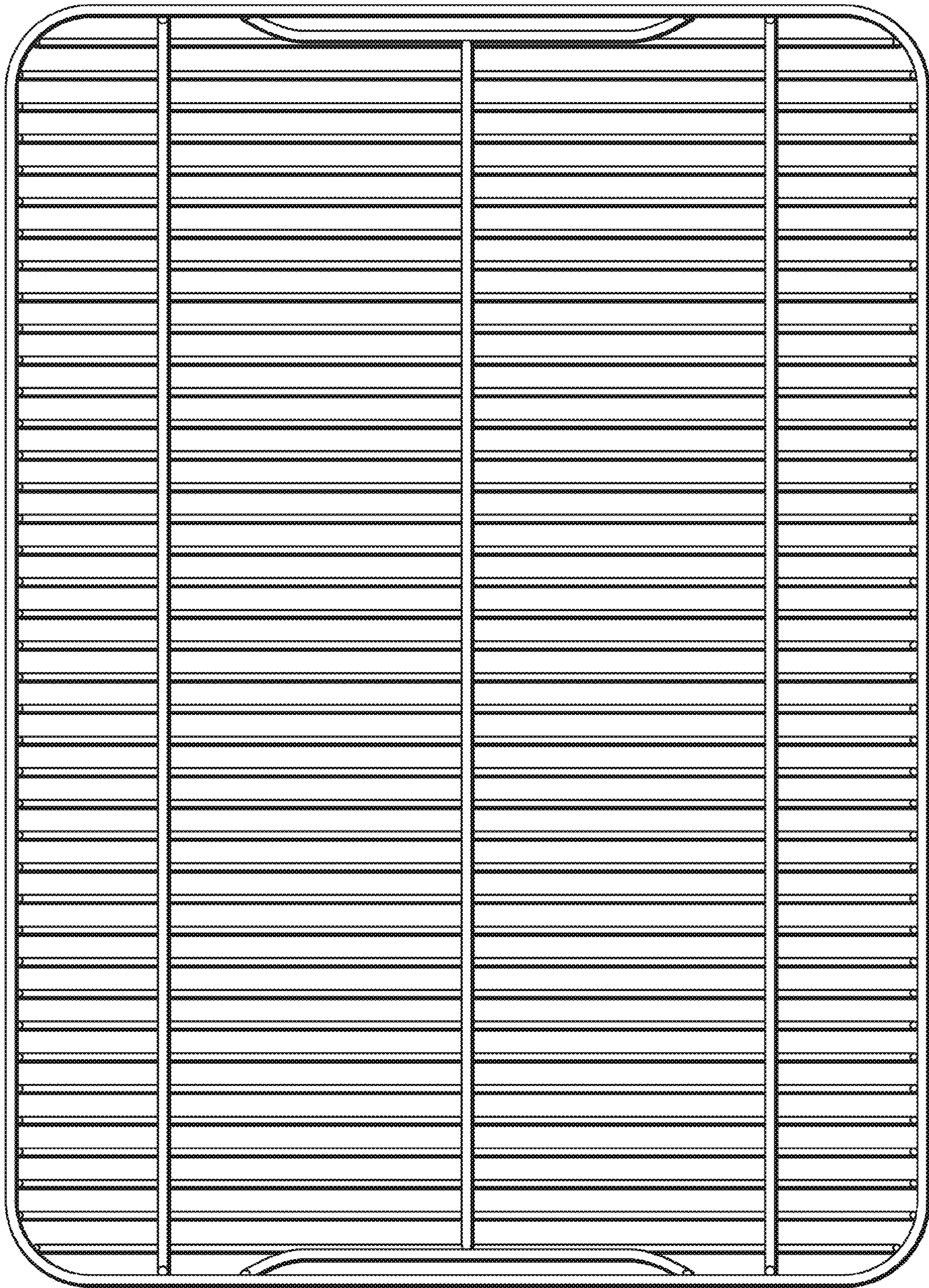


FIG. 6

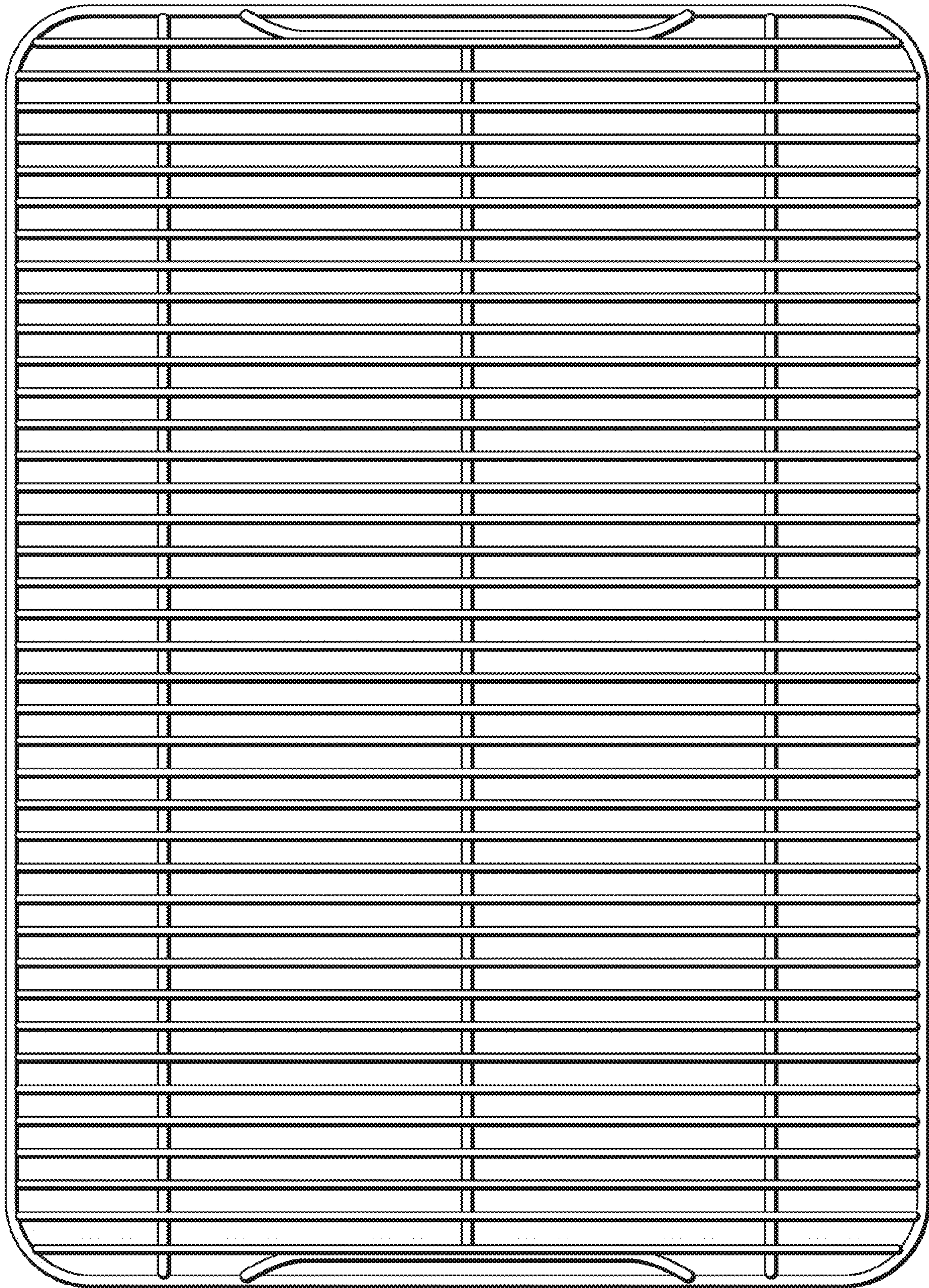


FIG. 7

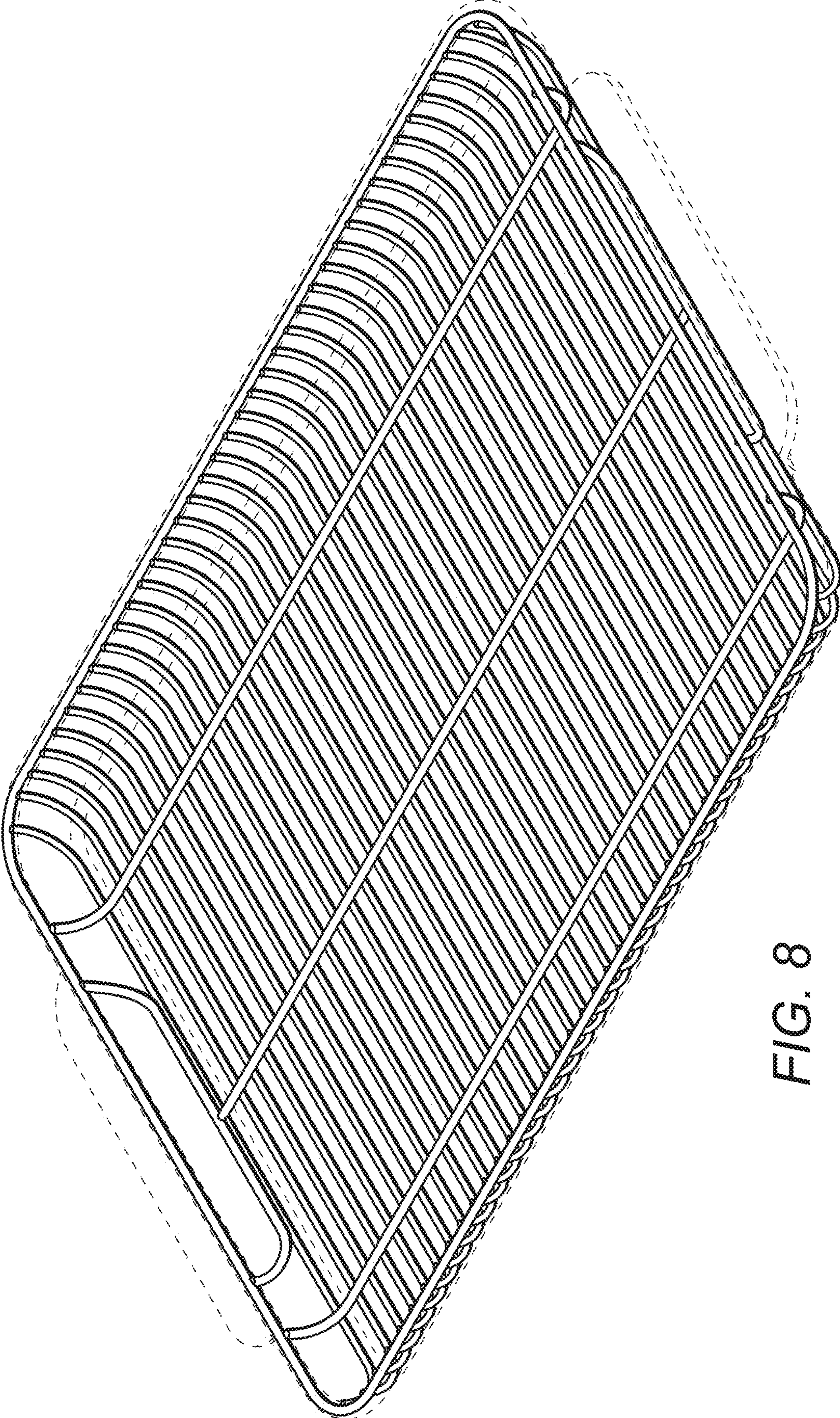


FIG. 8

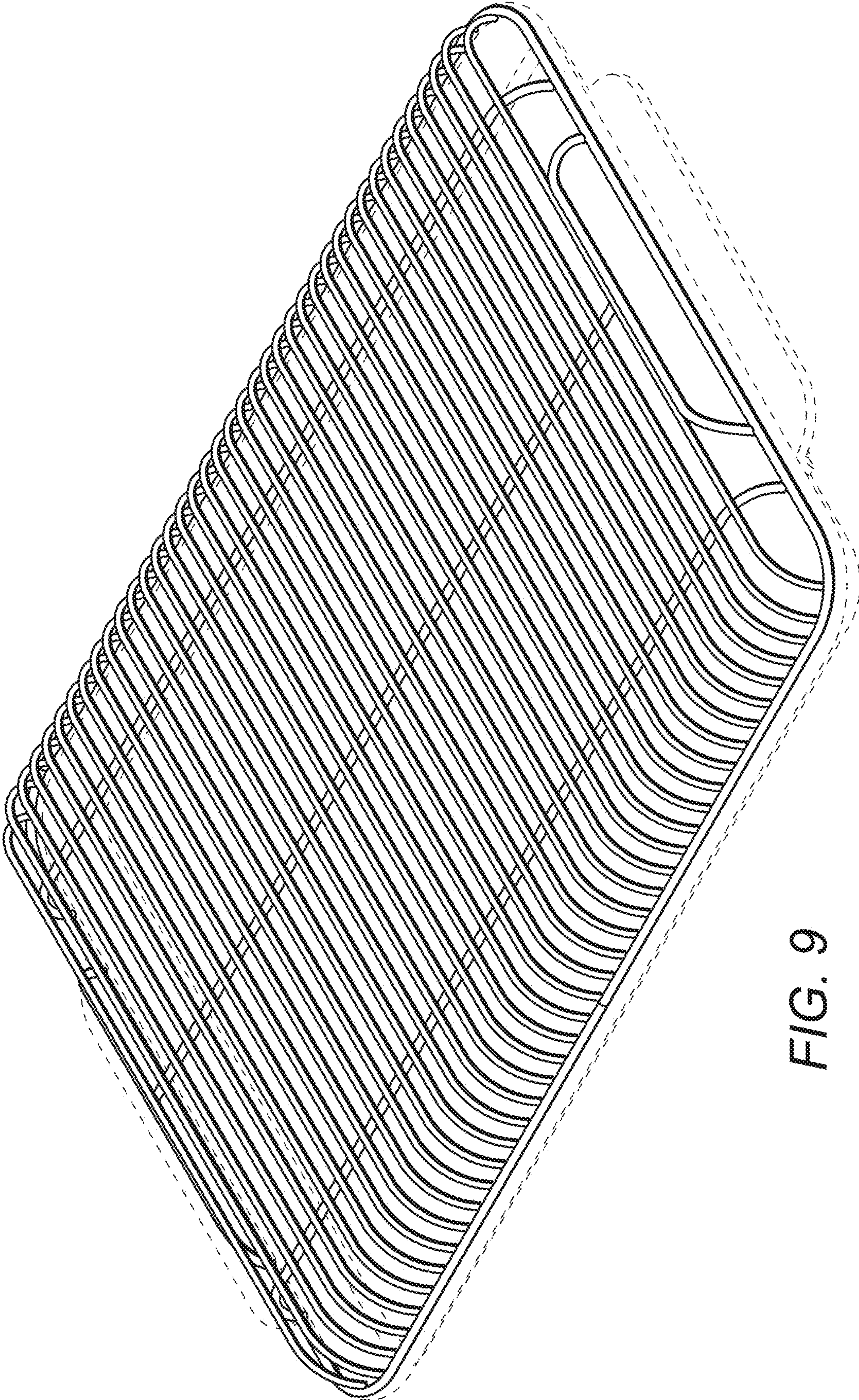


FIG. 9