



US00D984847S

(12) **United States Design Patent** (10) **Patent No.:** **US D984,847 S**
Hyun (45) **Date of Patent:** **** May 2, 2023**

(54) **PAN SPLATTER SCREEN**

(71) Applicant: **Jaechul Hyun**, Seoul (KR)

(72) Inventor: **Jaechul Hyun**, Seoul (KR)

(**) Term: **15 Years**

(21) Appl. No.: **29/772,707**

(22) Filed: **Mar. 3, 2021**

(51) **LOC (14) Cl.** **07-02**

(52) **U.S. Cl.**

USPC **D7/391; D7/409**

(58) **Field of Classification Search**

USPC D7/323, 332, 335-337, 354-355,
D7/359-364, 387-388, 391, 402,
D7/407-409, 541, 546, 555, 667, 669
CPC A21B 2/00; A21B 3/00; A21B 3/13; A21B
3/15; A21B 3/155; A21B 5/00; A21B
5/02; A23N 12/06; A23N 12/08; A23N
12/10; A47J 36/022; A47J 36/2405; A47J
37/00; A47J 37/04; A47J 37/041; A47J
37/042; A47J 37/06; A47J 37/0688; A47J
37/0694; A47J 37/07; A47J 37/0704;
A47J 37/0713; A47J 37/0763; A47J
37/0786; A47J 37/10; A47J 37/101; A47J
43/285; A47J 2037/00; A47J 2037/06;
A47J 2037/0611; A47J 2037/07; A47J
2037/0786; A47J 2037/0795; B01J 20/20;
F24C 15/10; F24C 15/12; F24C 15/14;
F24C 15/16; F24C 15/18; F24C 15/107;
F24C 15/164

See application file for complete search history.

(56) **References Cited**

U.S. PATENT DOCUMENTS

1,622,351 A * 3/1927 Salmon A47J 37/101
210/474
3,809,281 A * 5/1974 Kalkowski A47J 37/101
D7/391

D567,597 S * 4/2008 Shamoan D7/667
8,192,537 B2 * 6/2012 Alemao B01J 20/20
96/108
D677,522 S * 3/2013 Renner D7/354
D708,916 S * 7/2014 Lee D7/669
D764,225 S * 8/2016 Tanguy D7/391
2005/0230326 A1 * 10/2005 Cooper A47J 43/285
210/776

OTHER PUBLICATIONS

IOrange Silicone Splatter Screen Pan Cover with Folding Handle.
Date First Available on Amazon.com Dec. 28, 2017. <https://www.amazon.com/dp/B06Y2FPXH8/ref> (Year: 2017).*

* cited by examiner

Primary Examiner — Ricky Pham

(74) *Attorney, Agent, or Firm* — John K. Park; Park Law Firm

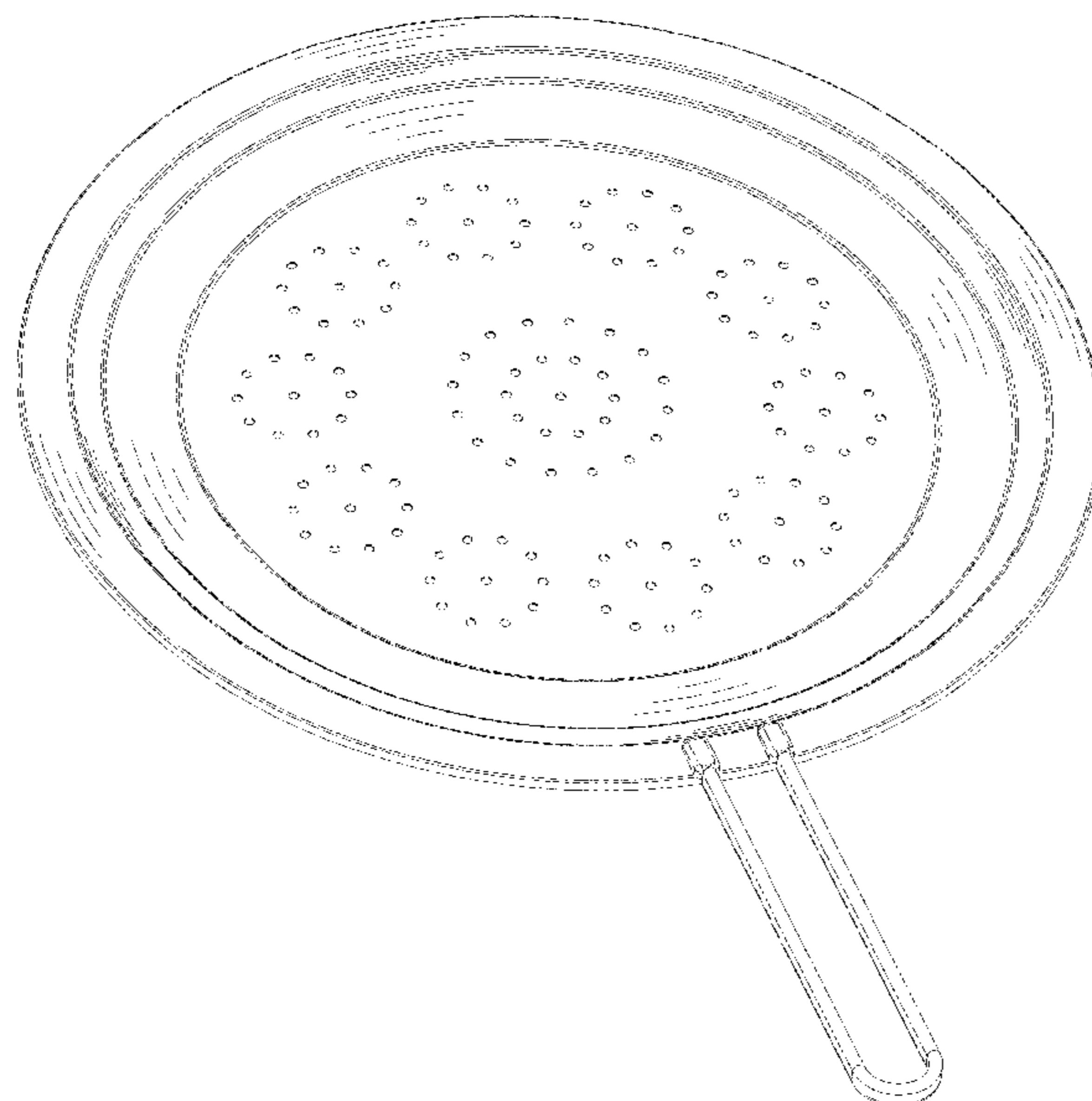
(57) **CLAIM**

The ornamental design for a pan splatter screen, as shown and described.

DESCRIPTION

FIG. 1 is a perspective view of the pan splatter screen showing my new design;
FIG. 2 is a top plan view thereof;
FIG. 3 is a left side view thereof;
FIG. 4 is a right side view thereof;
FIG. 5 is a front view thereof;
FIG. 6 is a rear view thereof; and,
FIG. 7 is a bottom plan view.

1 Claim, 7 Drawing Sheets



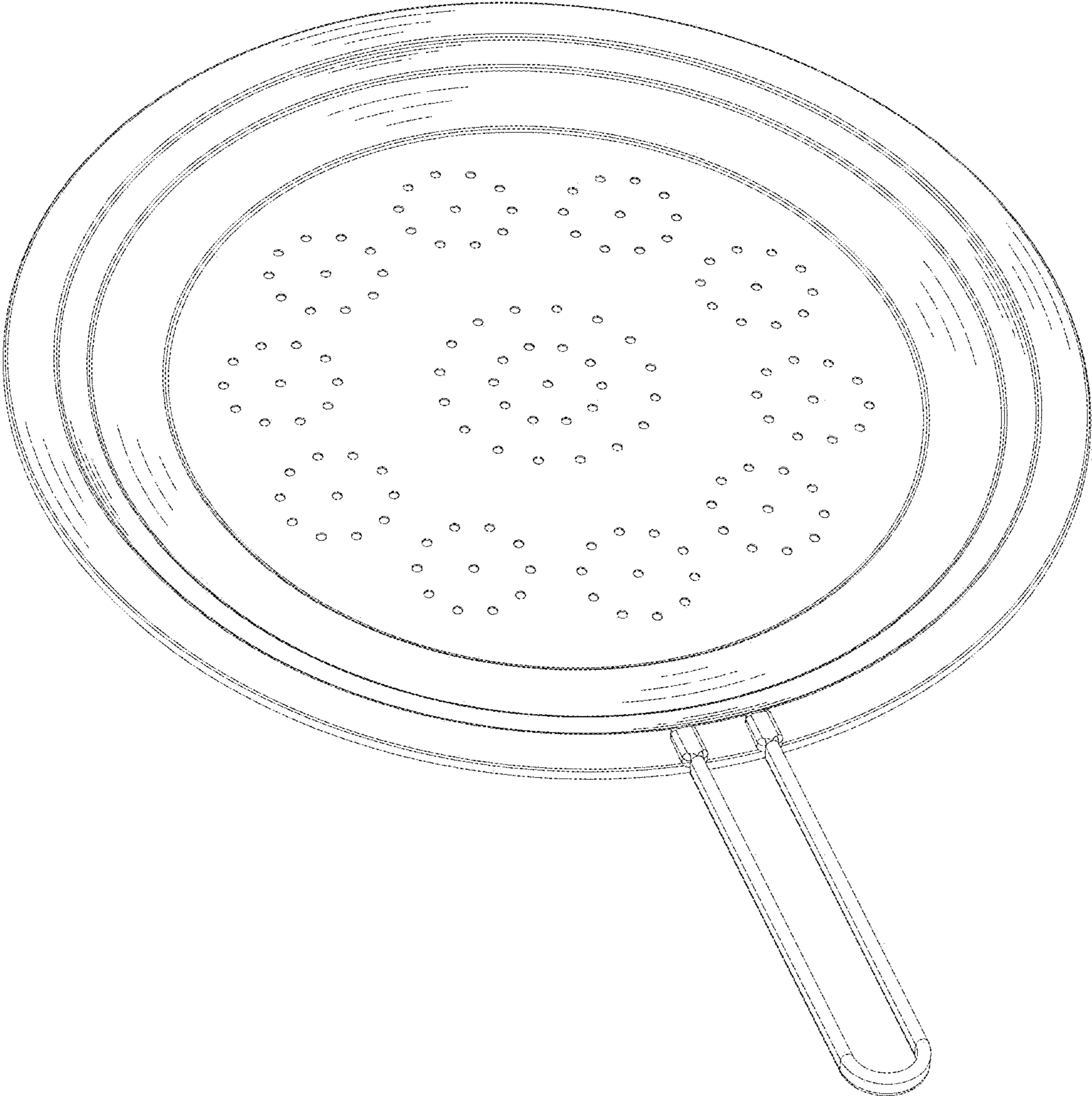


Fig . 1

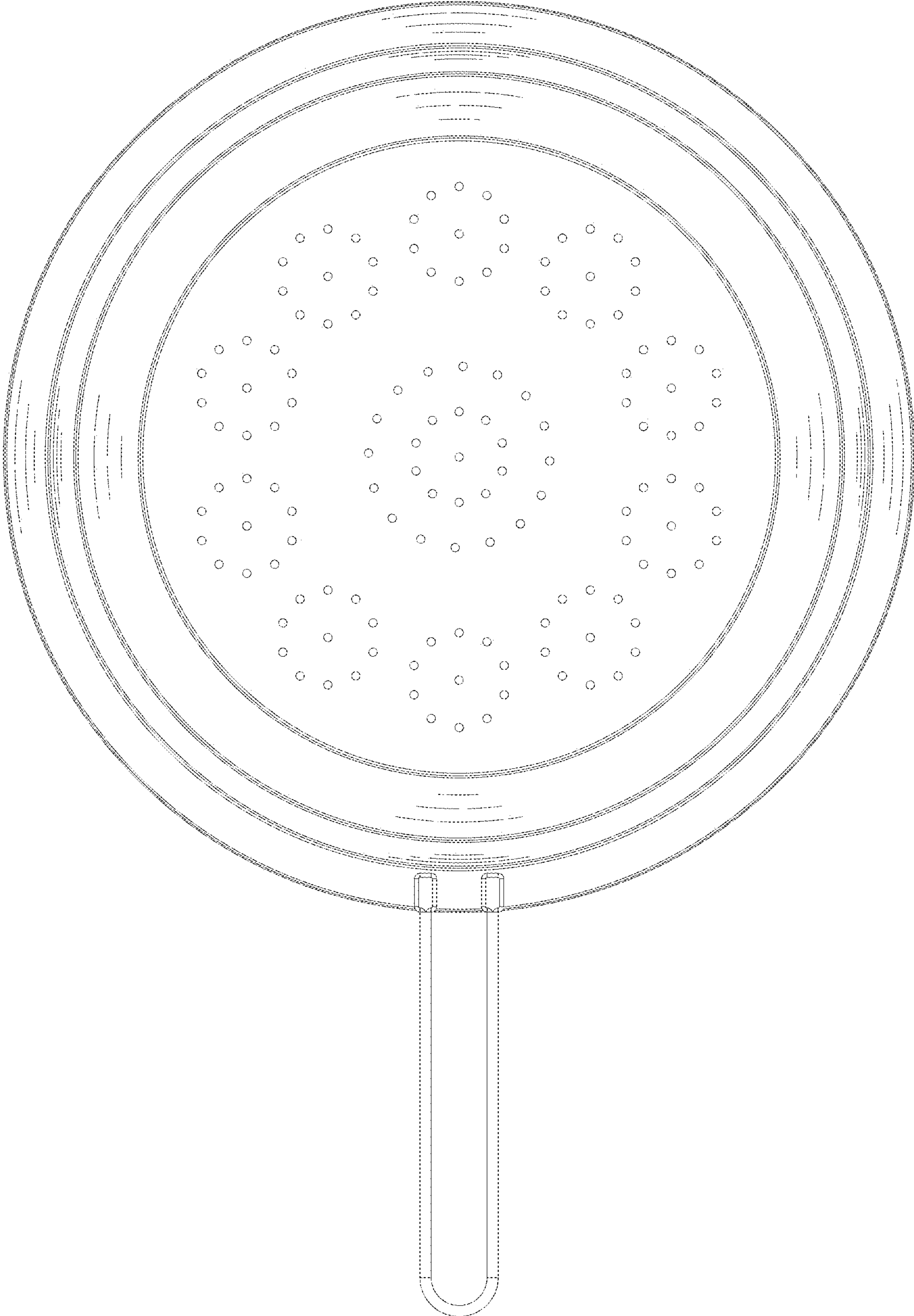


Fig . 2

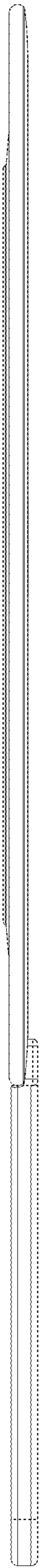


Fig . 3

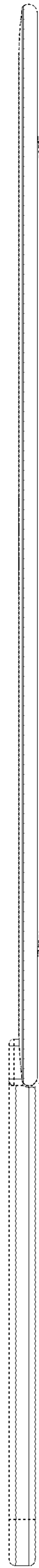


Fig . 4

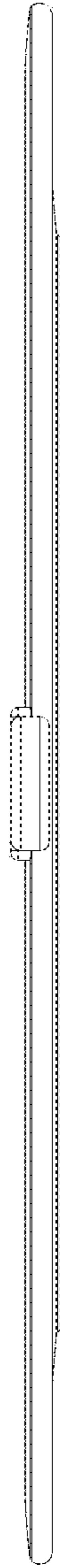


Fig . 5



Fig . 6

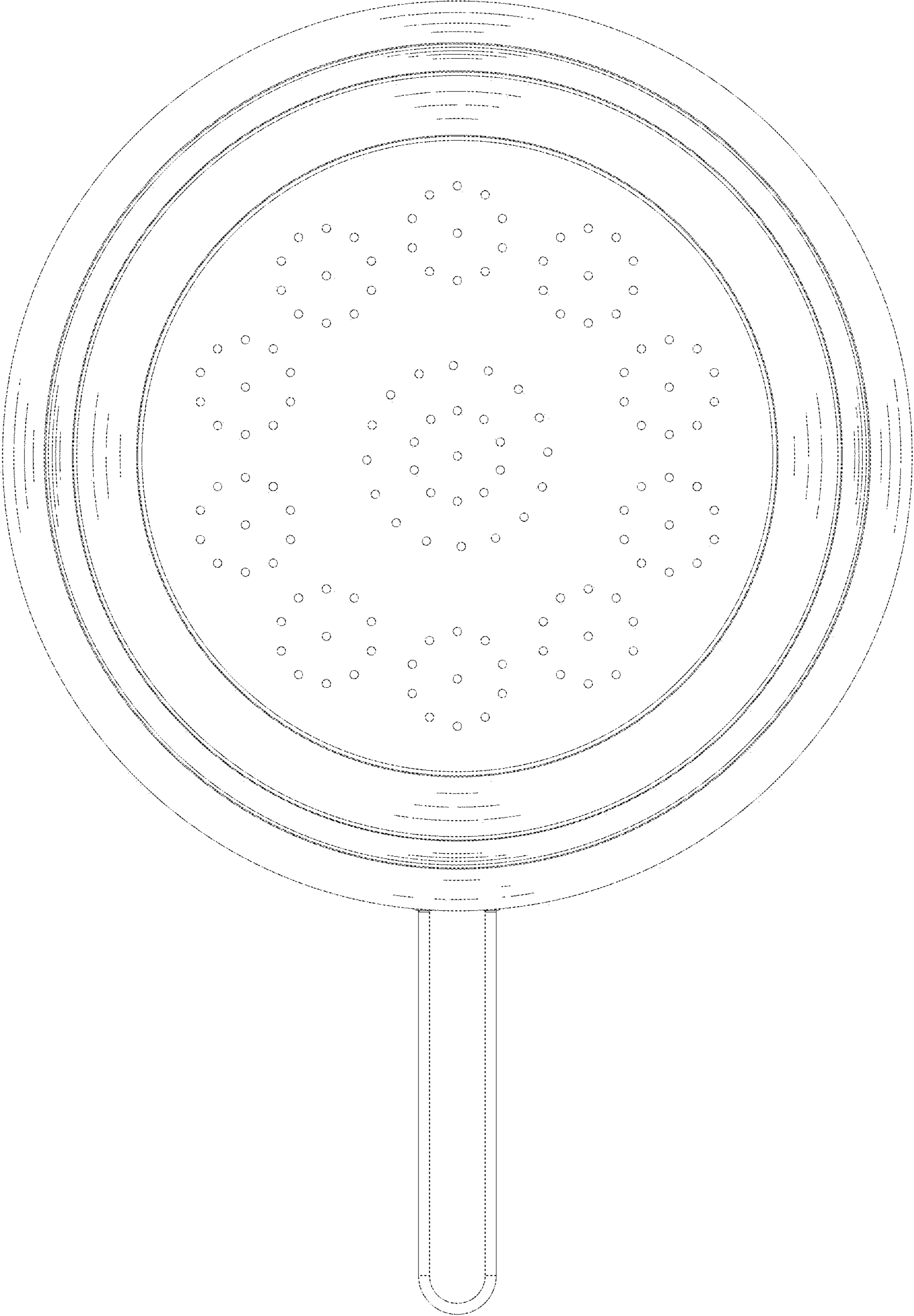


Fig . 7