



US00D984846S

(12) **United States Design Patent**  
**Adrian**

(10) **Patent No.:** **US D984,846 S**

(45) **Date of Patent:** **\*\* May 2, 2023**

- (54) **MIXER**
- (71) Applicant: **Ningbo Founter Machinery Technology Co., Ltd., Zhejiang (CN)**
- (72) Inventor: **Iovescu Radu Adrian, Zhejiang (CN)**
- (73) Assignee: **Ningbo Founter Machinery Technology Co., Ltd.**
- (\*\*) Term: **15 Years**
- (21) Appl. No.: **29/730,791**
- (22) Filed: **Apr. 8, 2020**
- (51) **LOC (14) Cl.** ..... **31-00**
- (52) **U.S. Cl.**  
USPC ..... **D7/376**
- (58) **Field of Classification Search**  
USPC ..... D7/306, 309, 354, 355, 358, 361, 372, D7/373, 374, 375, 376, 377, 378, 379, D7/380, 381, 382, 383, 384, 385, 386, D7/412, 413, 602, 612, 694, 669, 679  
CPC .. A47J 43/04; A47J 43/25; A47J 43/27; A47J 43/042; A47J 43/044; A47J 43/046; A47J 43/075; A47J 43/0722; A47J 43/0727; A21C 1/02; A21C 1/04; A23G 9/045; A23N 1/00; A23N 1/02  
See application file for complete search history.

- 5,533,806 A \* 7/1996 Veltrop ..... B01F 27/805  
366/206
- 5,556,201 A \* 9/1996 Veltrop ..... B01F 27/091  
366/288
- 5,758,963 A \* 6/1998 Xie ..... A21C 1/02  
366/97
- 5,860,738 A \* 1/1999 Brinkman ..... A21C 1/02  
411/395

(Continued)

**FOREIGN PATENT DOCUMENTS**

- CN 302996639 \* 11/2014
- EM 002900365-0001 \* 12/2015

(Continued)

**OTHER PUBLICATIONS**

10 liters Best Professional Kitchen Electric Planetary Food Mixer Machines, announced © 2022 [online], retrieved Sep. 26, 2022, retrieved from internet, <https://www.tradewheel.com/p/10-liters-best-professional-kitchen-electric-1739969/>.\*

(Continued)

*Primary Examiner* — Messina L Smith

(57) **CLAIM**

The ornamental design for a mixer, as shown and described.

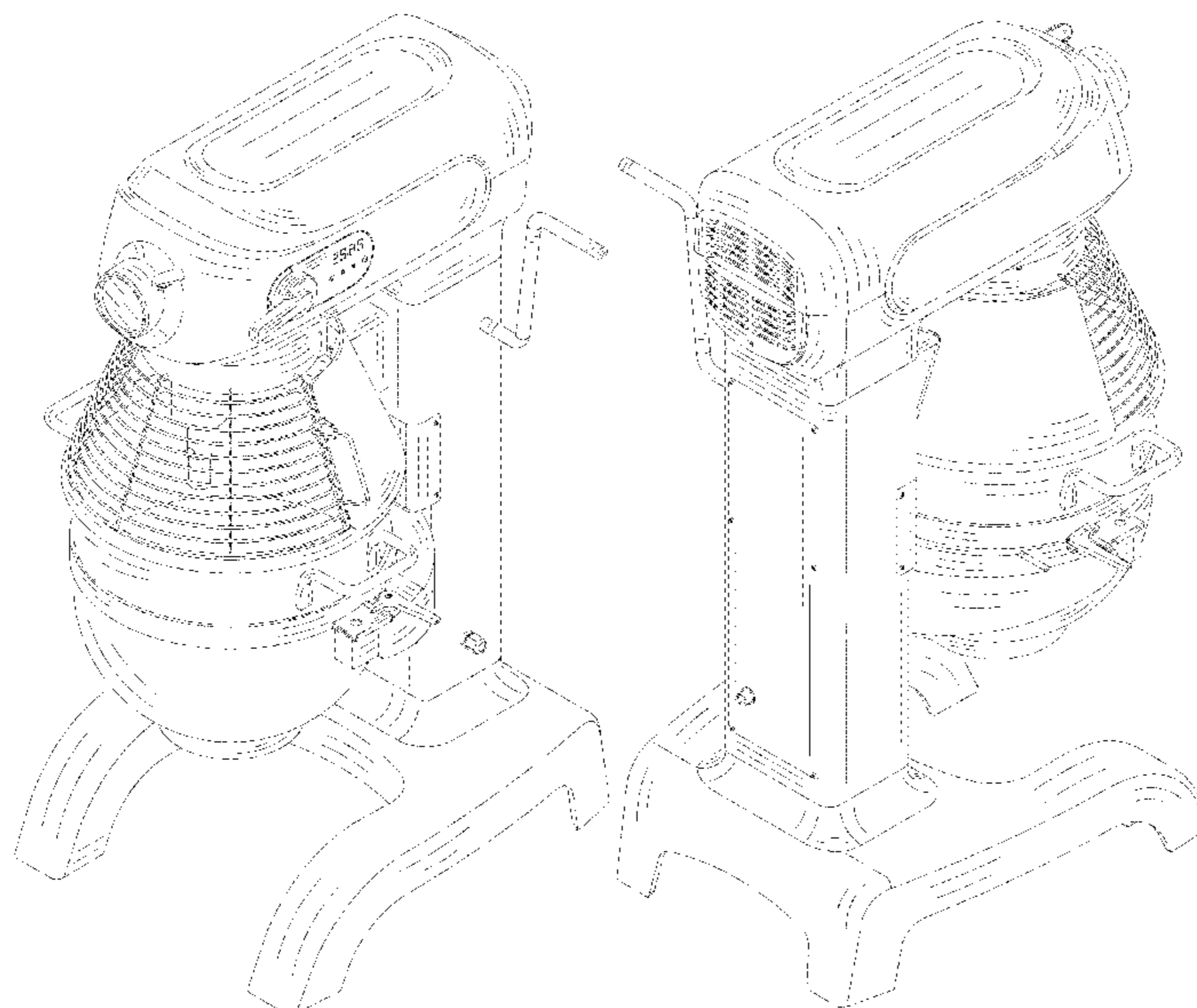
**DESCRIPTION**

FIG. 1 is a front view of a mixer showing my new design; FIG. 2 is a back view thereof; FIG. 3 is a left side view thereof; FIG. 4 is a right side view thereof; FIG. 5 is a top view thereof; FIG. 6 is a bottom view thereof; FIG. 7 is a perspective view thereof; and, FIG. 8 is another perspective view thereof. The broken lines and areas within depict portions of the mixer that form no part of the claimed design.

**1 Claim, 8 Drawing Sheets**

(56) **References Cited**  
U.S. PATENT DOCUMENTS

- 2,306,245 A \* 12/1942 Duke ..... A21C 1/02  
366/98
- 2,405,707 A \* 8/1946 Nielsen ..... A47J 43/044  
366/200
- 2,552,054 A \* 5/1951 Misic ..... A47J 43/044  
403/82
- 5,348,393 A \* 9/1994 Pappas, Jr. .... B01F 27/805  
366/284



(56)

References Cited

U.S. PATENT DOCUMENTS

6,068,398 A \* 5/2000 Lin ..... B01F 35/60  
99/348  
D459,145 S \* 6/2002 Short ..... D7/379  
D468,581 S \* 1/2003 Short ..... D7/379  
D482,564 S \* 11/2003 Short ..... D7/379  
D499,604 S \* 12/2004 Hooper ..... D7/379  
D540,113 S \* 4/2007 Short ..... D7/376  
D564,297 S \* 3/2008 Short ..... D7/412  
D564,298 S \* 3/2008 Short ..... D7/412  
7,384,187 B2 \* 6/2008 Blackburn ..... A47J 43/0705  
366/206  
7,438,463 B2 \* 10/2008 Schnipke ..... B01F 27/805  
366/206  
D582,203 S \* 12/2008 Short ..... D7/376  
D583,189 S \* 12/2008 Short ..... D7/376  
D583,617 S \* 12/2008 Short ..... D7/376  
D583,618 S \* 12/2008 Blackburn ..... D7/376  
D584,916 S \* 1/2009 Christou ..... D7/376  
D615,348 S \* 5/2010 Huang ..... D7/379  
D616,699 S \* 6/2010 Hoare ..... D7/379  
8,308,344 B2 \* 11/2012 Short ..... A47J 43/0727  
366/347  
D683,578 S \* 6/2013 Nordwall ..... D7/384  
D818,761 S \* 5/2018 Wang ..... D7/378  
D818,764 S \* 5/2018 Wang ..... D7/379  
10,743,550 B2 \* 8/2020 Huerta-Ochoa .... B01F 35/2115  
2002/0181322 A1 \* 12/2002 Brunswick ..... B01F 27/805  
366/331  
2004/0022124 A1 \* 2/2004 Yoshioka ..... B01F 35/60  
366/347  
2006/0198240 A1 \* 9/2006 Short ..... A47J 43/0705  
366/197  
2007/0195641 A1 \* 8/2007 Schnipke ..... A21C 1/02  
366/206

2008/0291776 A1 \* 11/2008 Brunswick ..... B01F 27/805  
366/331  
2016/0157677 A1 \* 6/2016 Cheung ..... A47J 43/085  
241/101.1  
2019/0008326 A1 \* 1/2019 Huerta-Ochoa ..... A47J 43/06

FOREIGN PATENT DOCUMENTS

EM 003854090-0001 \* 4/2017  
GB 6137199 \* 5/2021

OTHER PUBLICATIONS

Heavy Duty Planetary Mixer, no announcement date [online],  
retrieved Sep. 26, 2022, retrieved from internet, <http://www.hengfengjx.com/en/productsd.php?pid=23>.  
Baking Machinery, announced © 2022 [online], retrieved Sep. 26,  
2022, retrieved from internet, <https://rn.made-in-china.com/product/Baking-Machinery-VFM-20C-609605935.html>.  
Commercial Adjustable Speed Stainless Steel Planetary Cake Dough  
Food Mixer, announced © 1999-2022 [online], retrieved Sep. 26,  
2022, retrieved from internet, [https://www.alibaba.com/product-detail/High-Quality-10L-20L-30L-40L\\_1600084402476.html](https://www.alibaba.com/product-detail/High-Quality-10L-20L-30L-40L_1600084402476.html).  
Manual Planetary Mixer, announced May 29, 2015 [online], retrieved  
Sep. 26, 2022, retrieved from internet, <https://www.youtube.com/watch?v=UEZ6M00C-5E>.  
Home > Products > Bakery Equipment > Planetary Mixer, announced  
Aug. 28, 2019 [online], retrieved Sep. 26, 2022, retrieved from  
internet, <https://www.foodmachineryunion.com/sell/list.php?catid=679>.  
Planetary vs. Spiral Mixers: How to Select the Right One for the  
Job, announced Dec. 6, 2017 [online], retrieved Sep. 26, 2022,  
retrieved from internet, <https://blog.hobartcorp.com/blog/planetary-spiral-mixers-how-select>.

\* cited by examiner

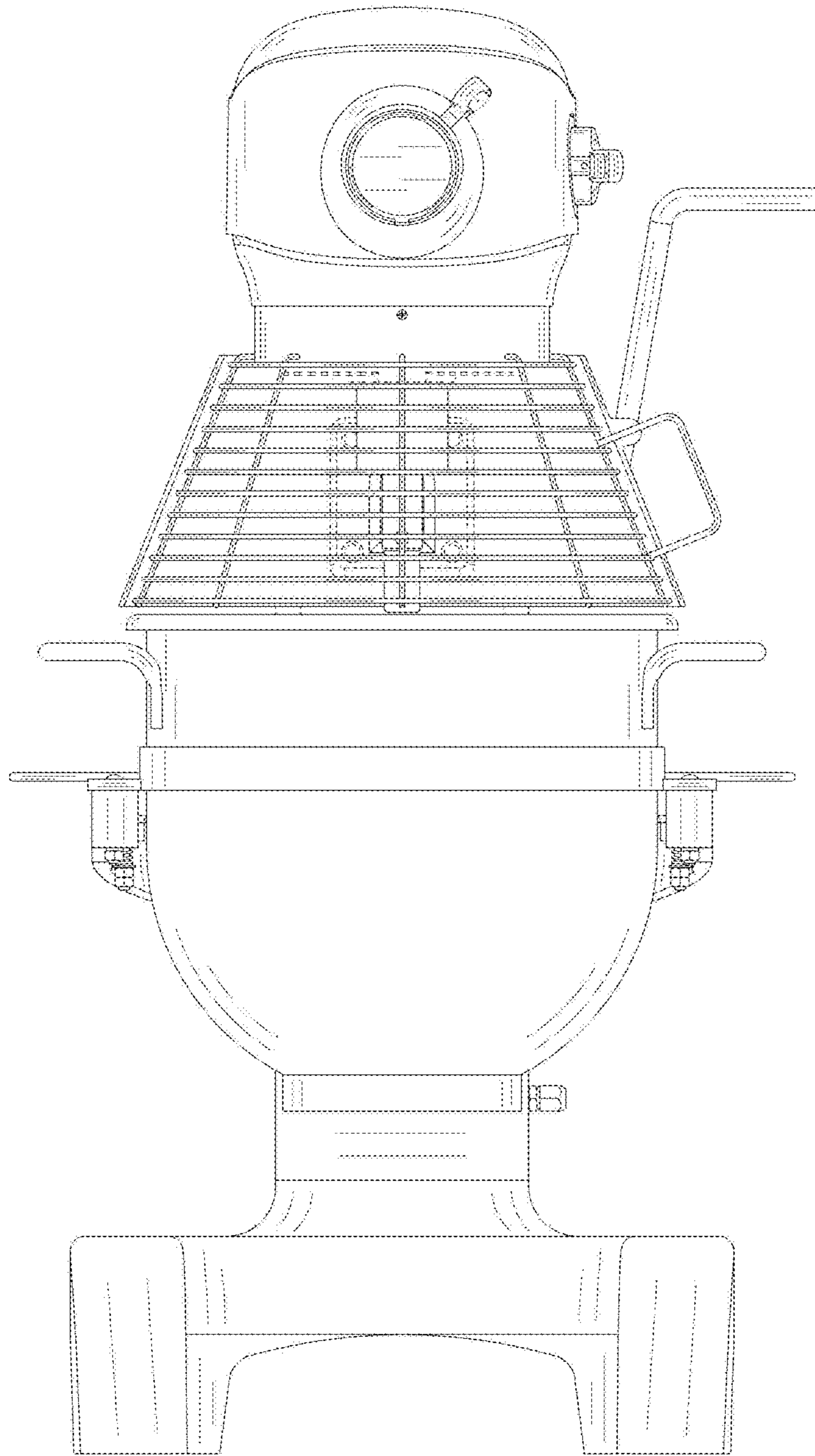


FIG. 1

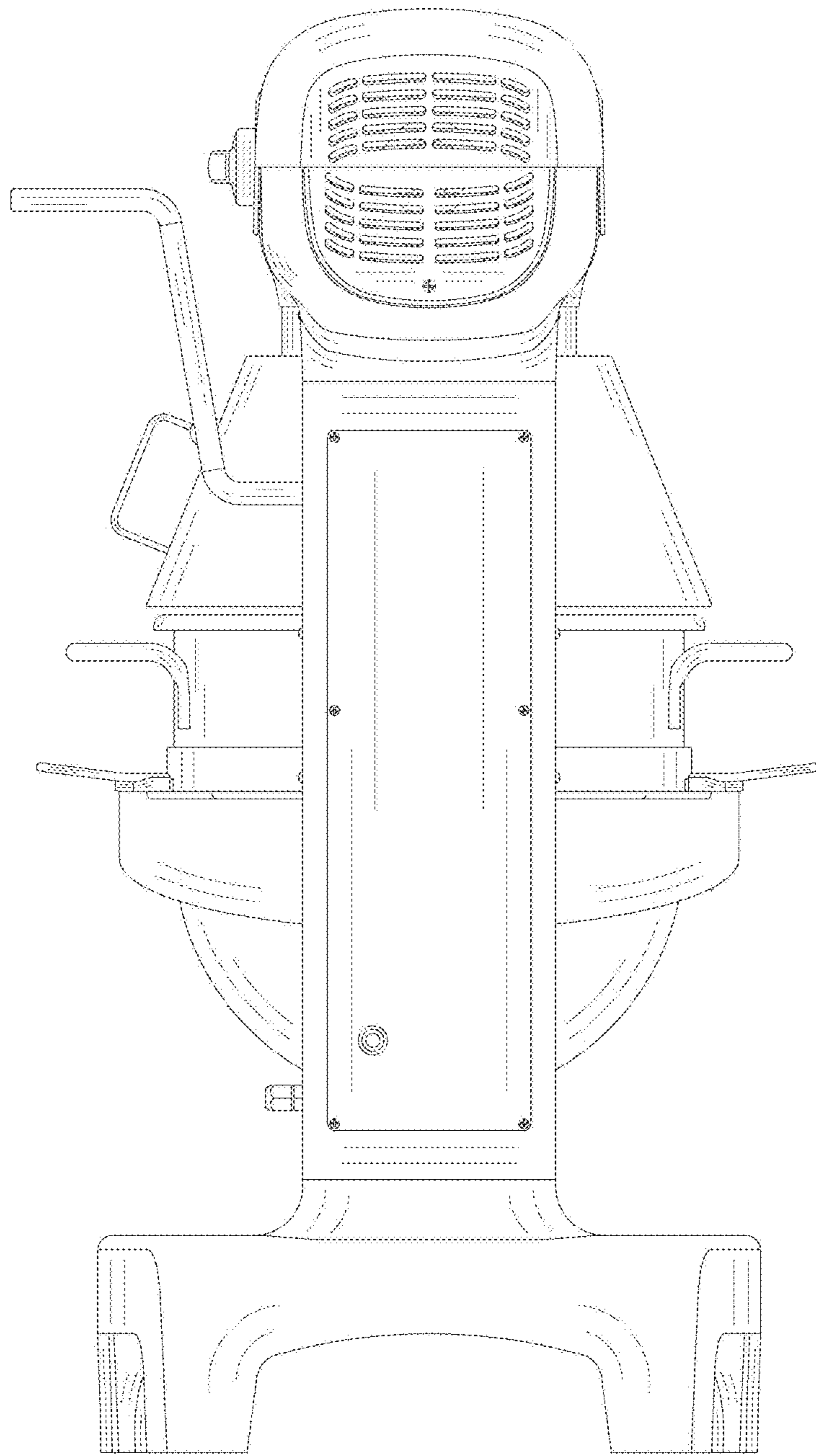


FIG. 2

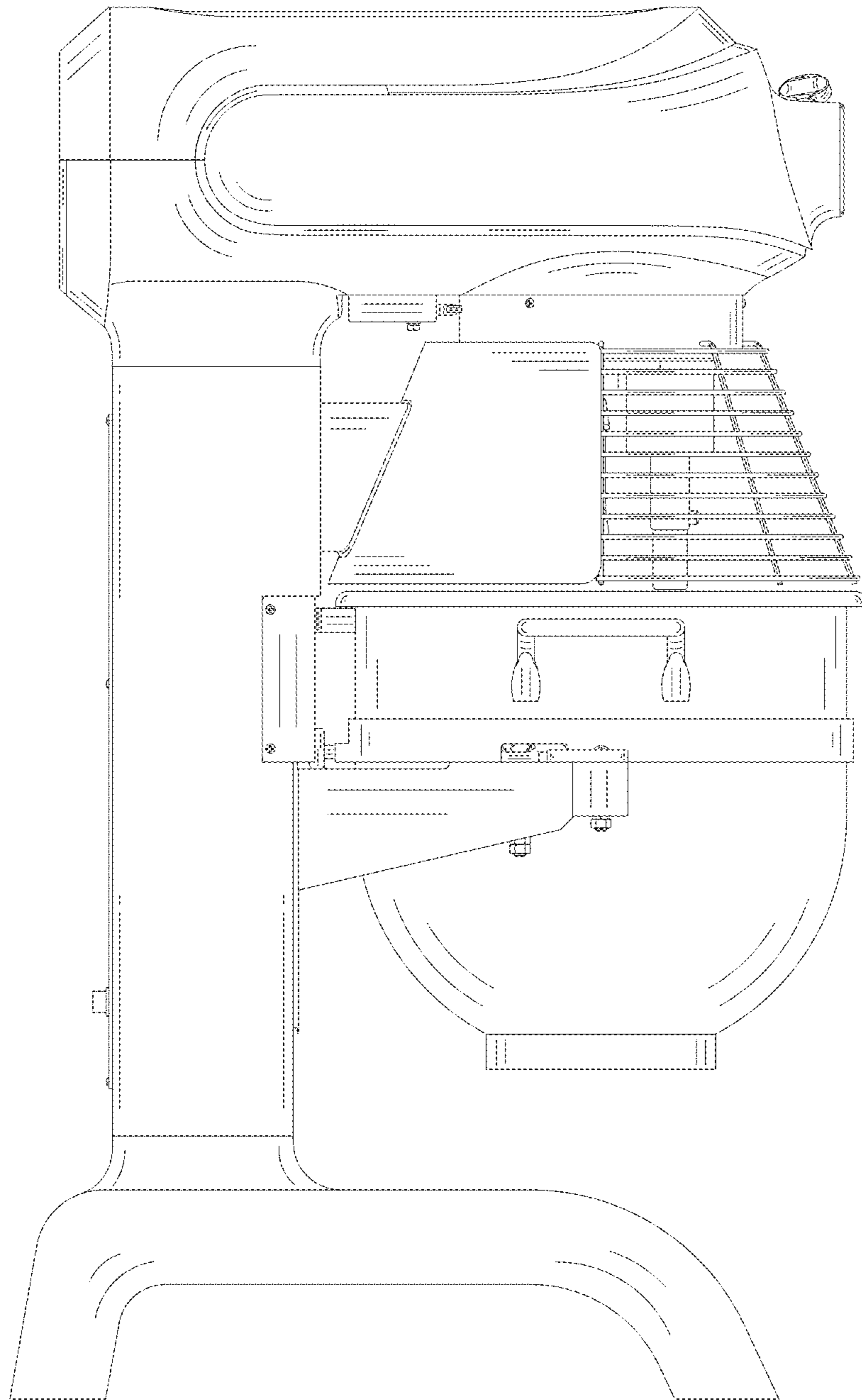


FIG. 3

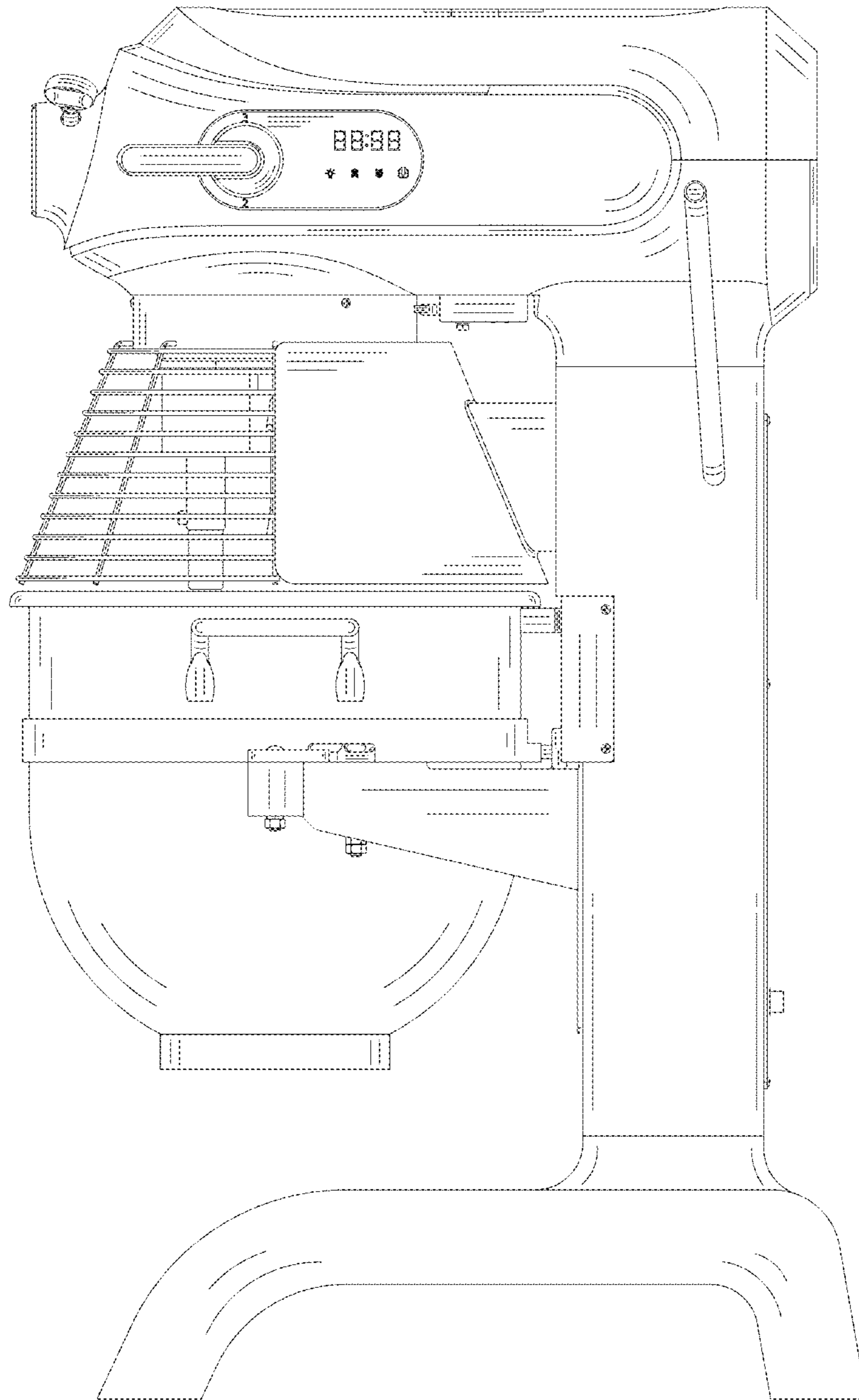


FIG. 4

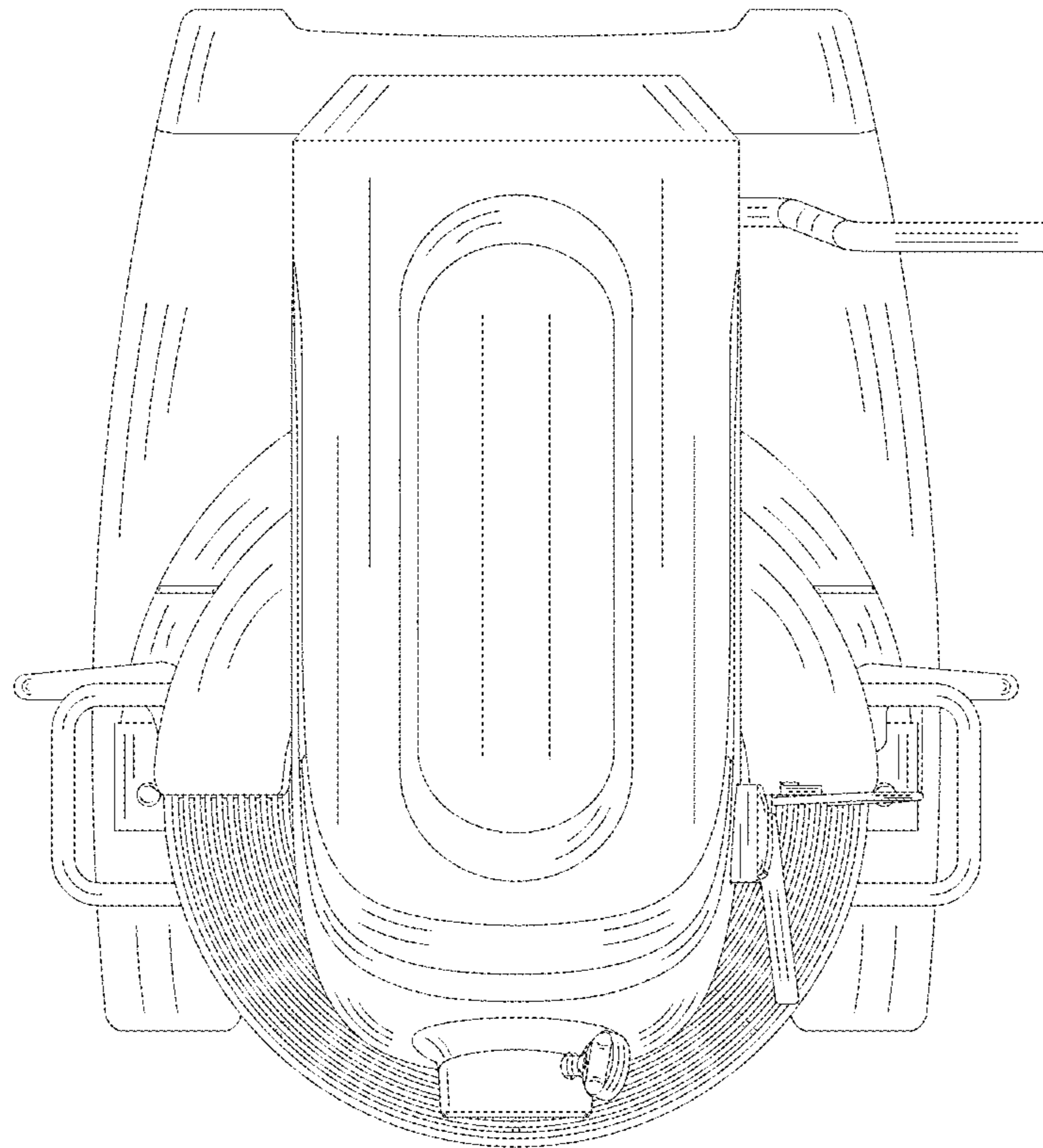


FIG. 5

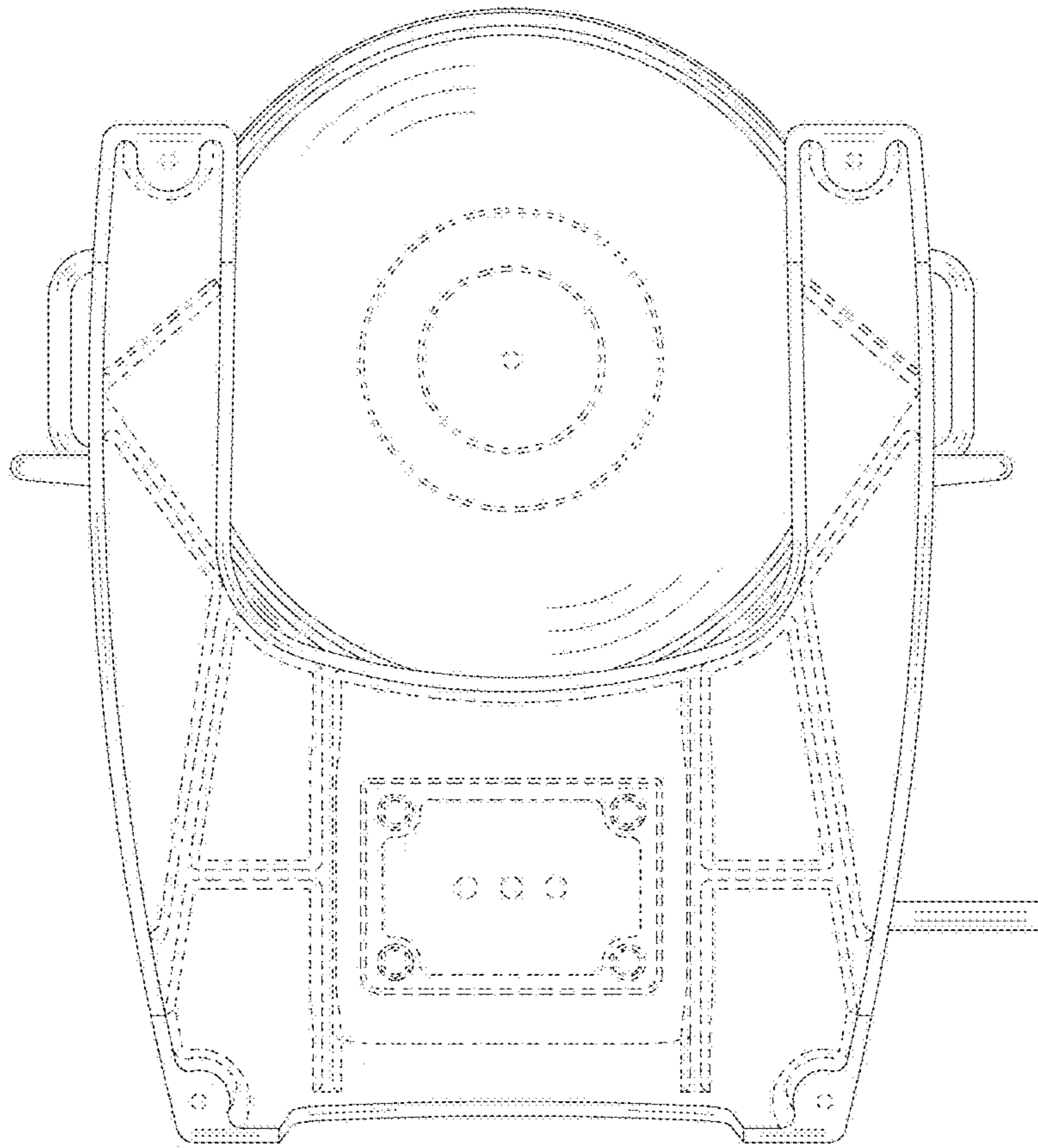


FIG. 6



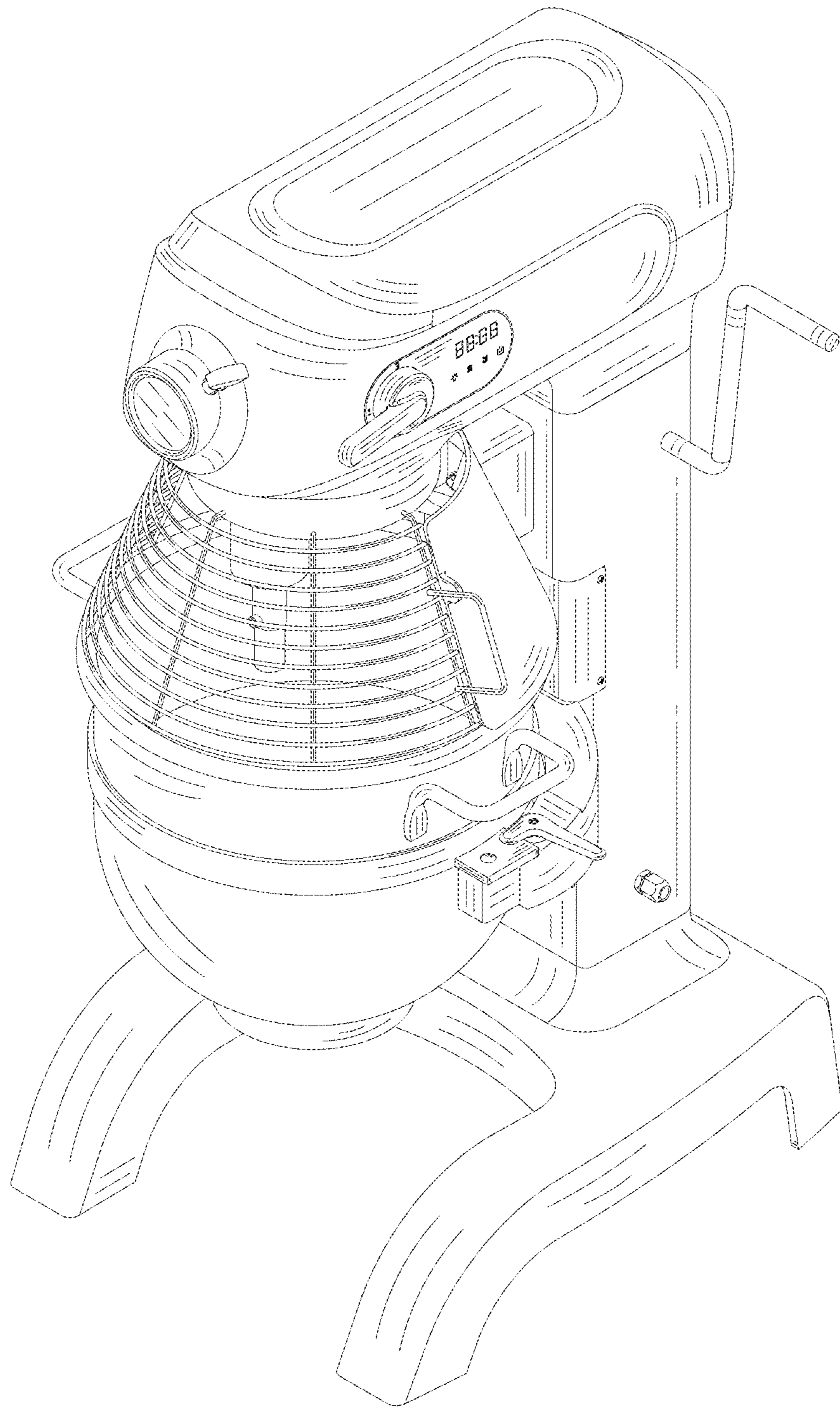


FIG. 7

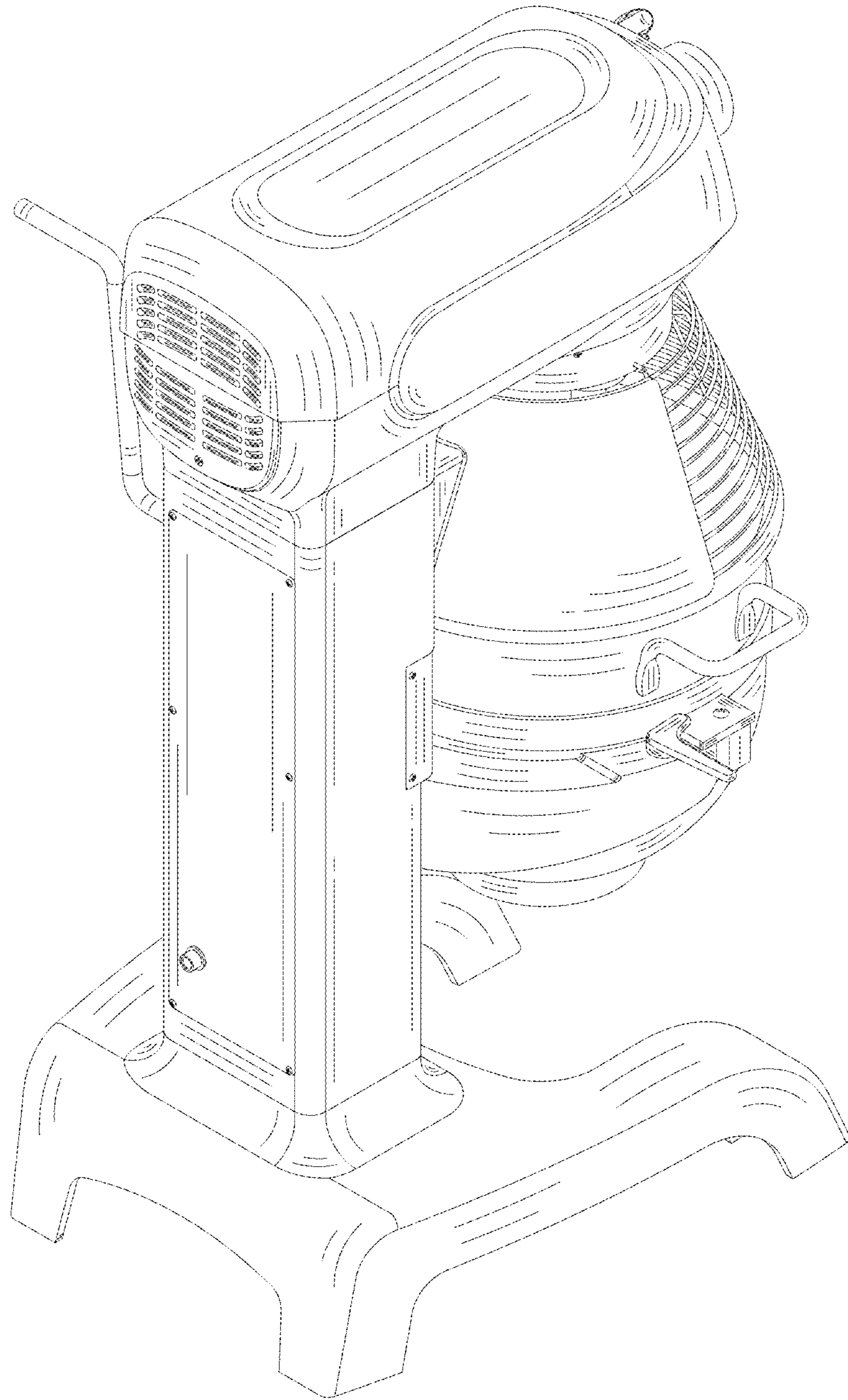


FIG. 8